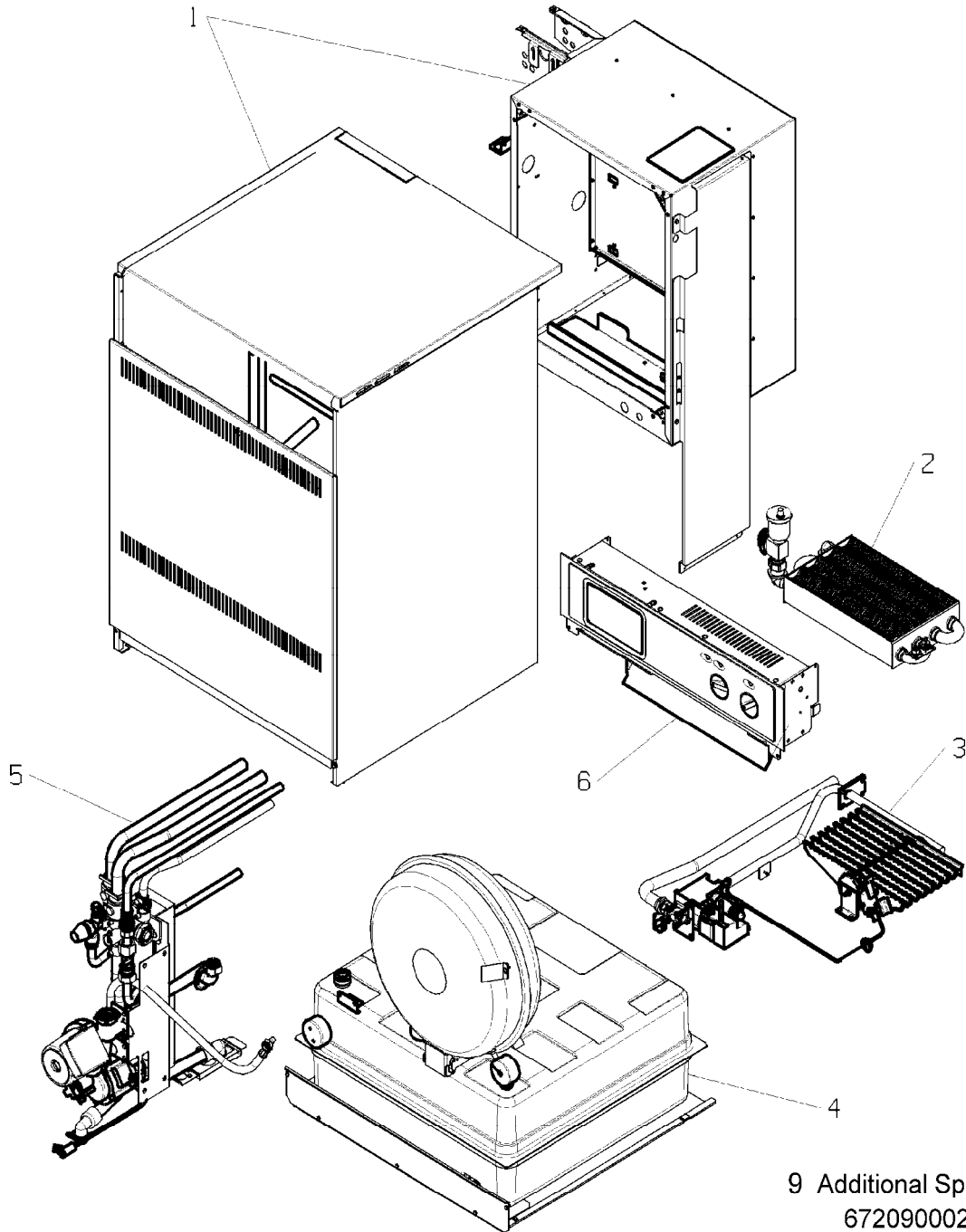
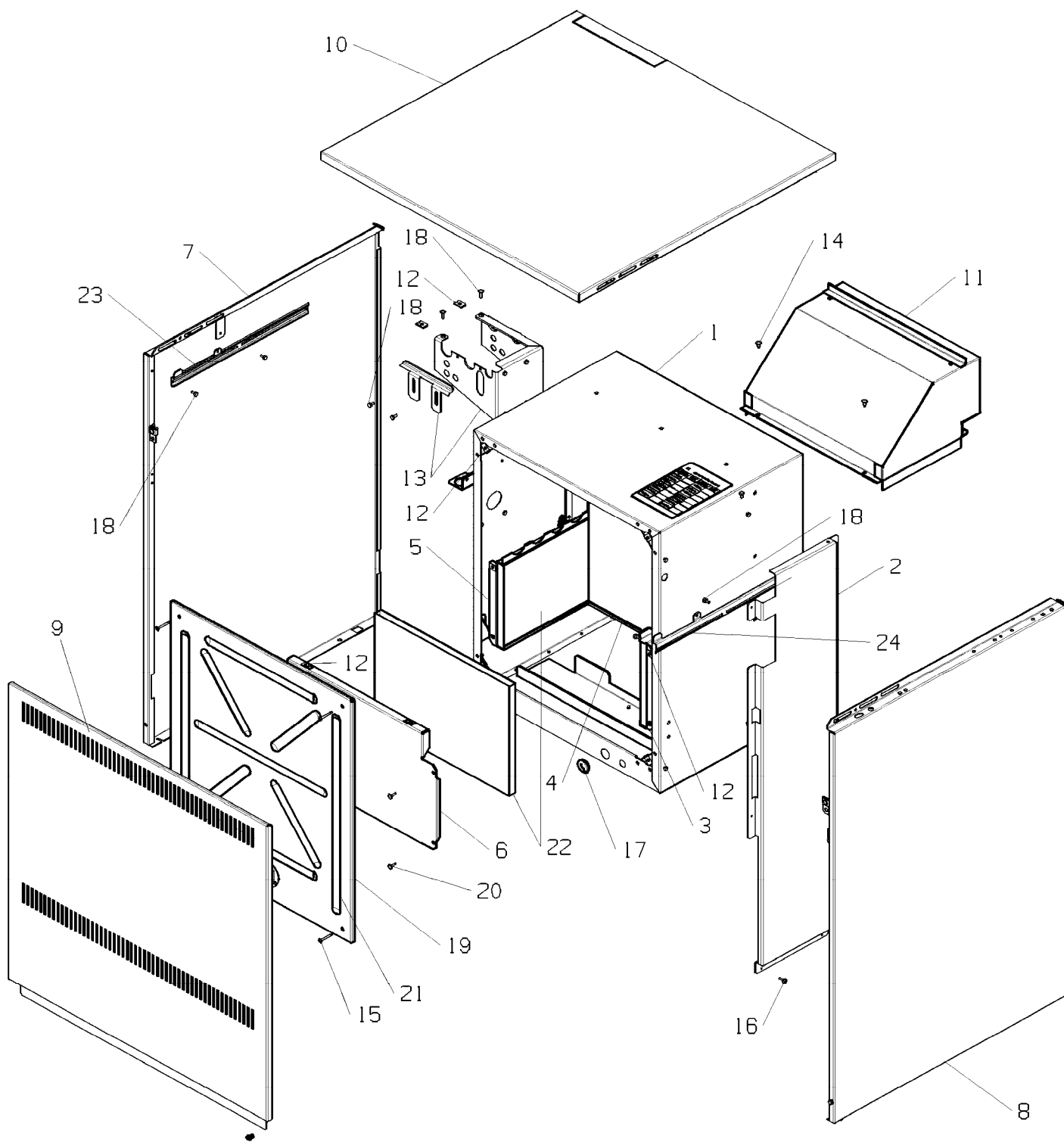


HIFLO400 ELECTRONIC BF



9 Additional Spare Parts
6720900027.AA

Spare parts list



6720900028.AA

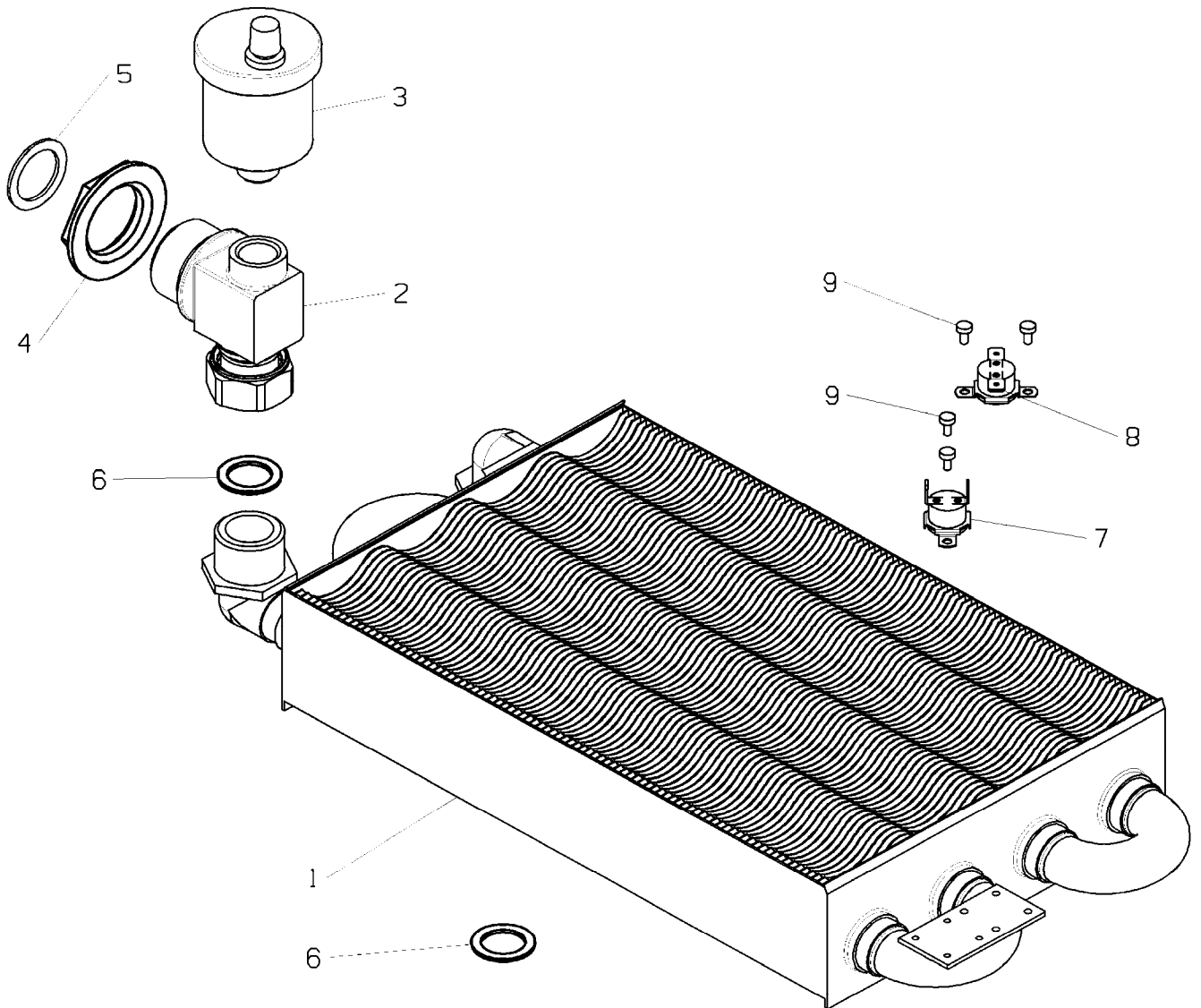
Superstructure / Case
D

400E BSN

1

Pos	description	S-Nr	ordering no.	PG	gas type	400E BSN													remarks
1	Superstructure assembly		8 716 102 944 0			■													
2	Support channel		8 716 103 035 0			■													
3	Combustion chamber inner assembly		8 716 103 047 0			■													
4	Combustion chamber side rh		8 716 103 040 0			■													
5	Combustion chamber side lh		8 716 103 041 0			■													
6	Combustion chamber front panel		8 716 100 367 0			■													
7	Cabinet side panel-lh assembly		8 716 104 723 0			■													
8	Cabinet side panel-rh assembly		8 716 104 722 0			■													
9	Cabinet front panel assembly		8 716 104 720 0			■													
10	Cabinet top panel assembly		8 716 104 721 0			■													
11	Collector hood assembly		8 716 120 473 0			■													
12	Nut Captive No:8		8 716 148 204 0	16		■													
13	Pipe - guide support assembly		8 716 102 946 0			■													
14	Screw m5x10mm hex/slotted head		2 911 131 152 0	08		■													
15	Screw no.8 x 1" pozi hex head flanged s/		2 912 421 229 0			■													
16	Gasket-burner manifold - bf		8 716 140 749 0			■													
17	Pilot tube grommet		8 716 140 720 0			■													
18	Screw m4x8mm tapitite zc pl p/h		2 914 411 412 0	03		■													
19	Strip-sil.sp.515 8x8mm white		8 716 140 747 0			■													
20	Screw no.8x1/2 f/h type b self tap.		2 912 421 225 0	16		■													
21	Inner casing front assy		8 716 120 741 0			■													
22	Comb. chamber insulation kit		8 716 142 293 0			■													
23	Slide lh		8 716 102 476 0			■													
24	Slide rh		8 716 102 477 0			■													
	Plug blanking black 8mm		8 716 141 149 0			■													
400E BSN			Superstructure / Case D												1				

Spare parts list



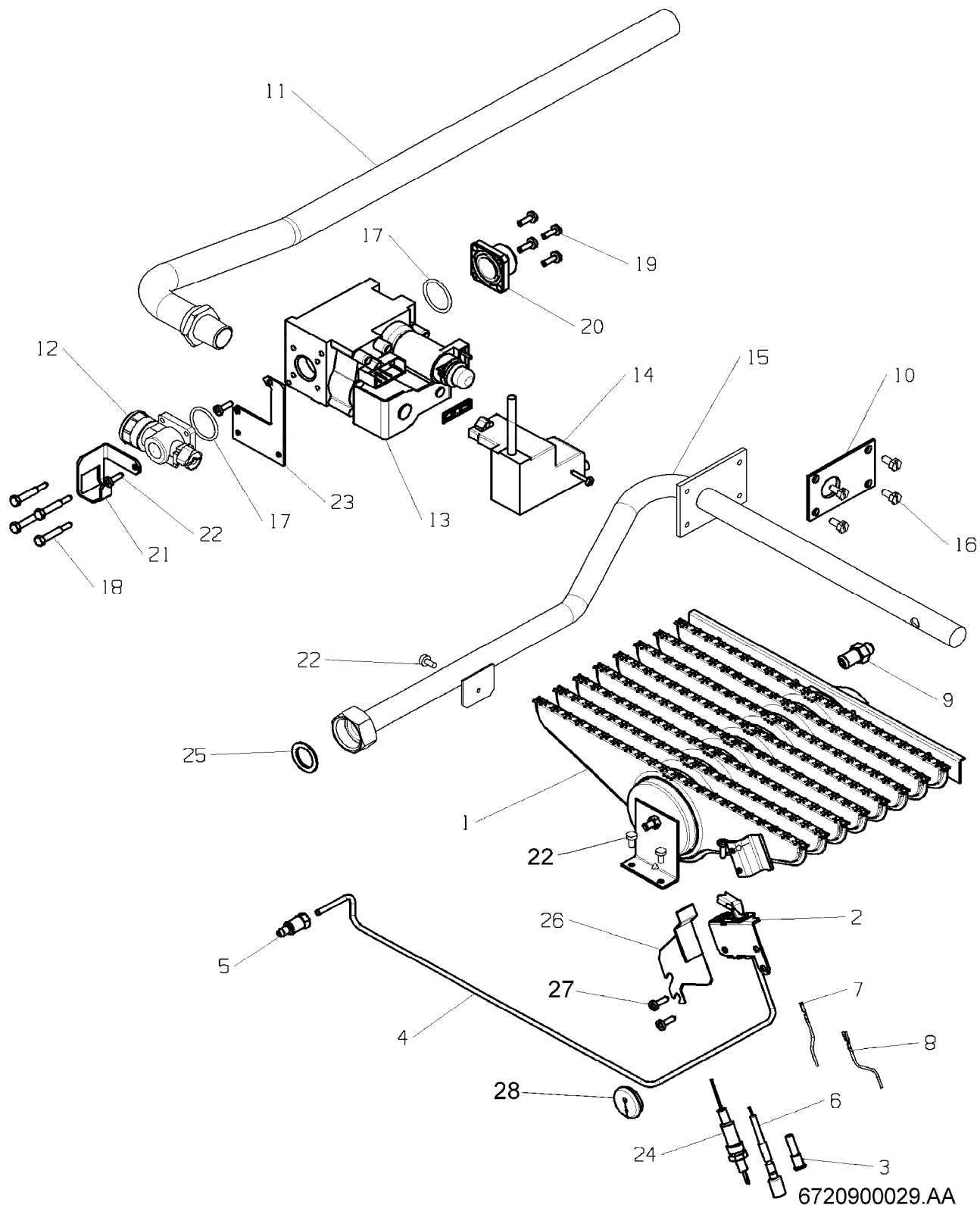
6720900022.AA

Heat exchanger
D

2

400E BSN

Spare parts list



6720900029.AA

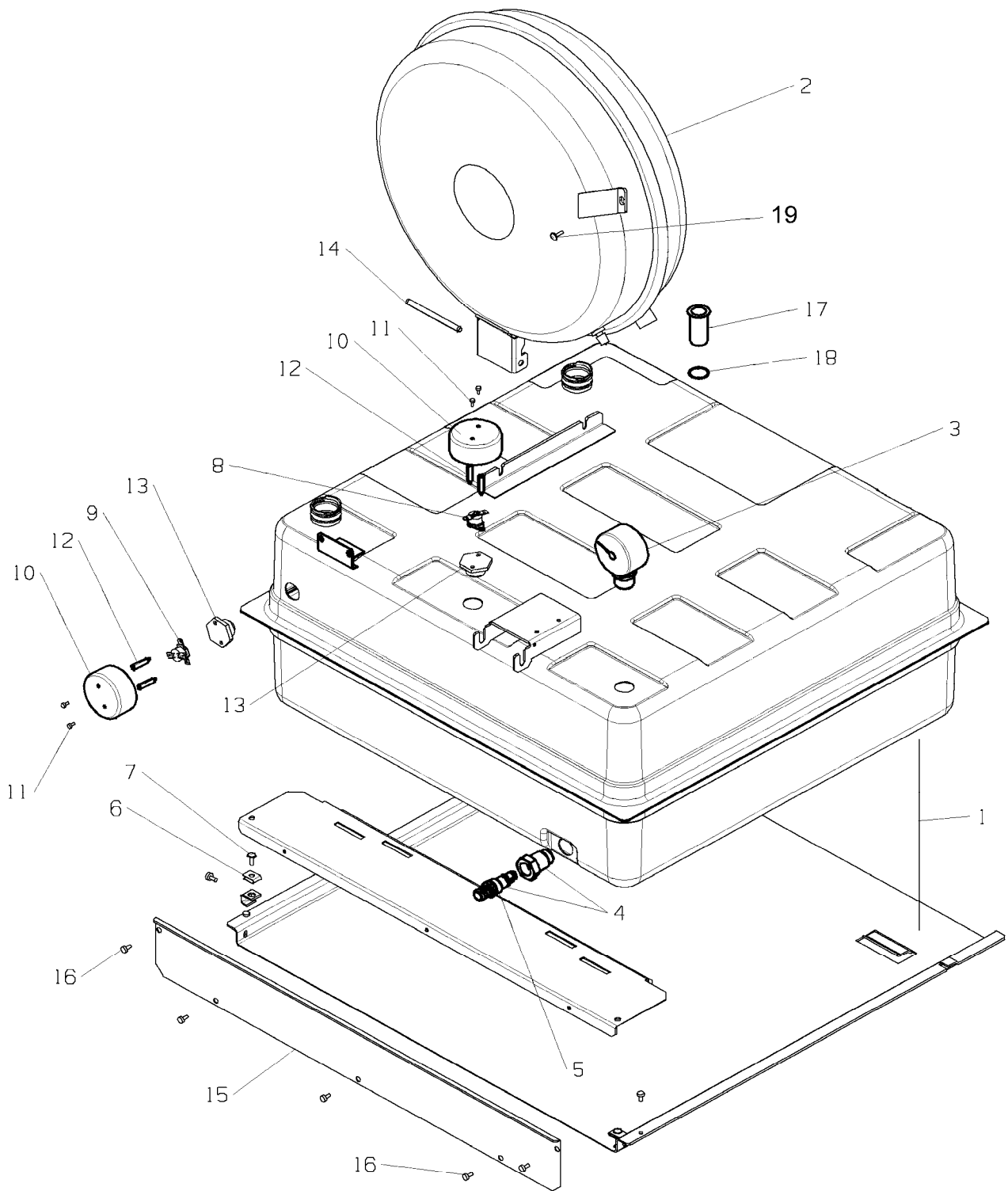
Gas valve / Burner
D

400E BSN

3

Pos	description	S-Nr	ordering no.	PG	gas type	400E BSN																						remarks
1	Burner aeromatic		8 716 142 606 0			■																						
2	Pilot burner		8 716 142 612 0			■																						
3	Injector(pilot)		8 716 156 300 0			■																						
4	Pilot tube assembly		8 716 104 736 0			■																						
5	M10 x 4mm shear off compression fitting		8 716 104 516 0			■																						
6	Spark electrode		8 716 142 104 0			■																						
7	Flame sense lead		8 716 104 554 0			■																						
8	Spark electrode lead		8 716 142 138 0			■																						
9	Main burner injector 4.4 dia.		8 716 156 337 0			■																						
10	Gasket-burner manifold - bf		8 716 140 749 0			■																						
11	Gas line assembly		8 716 103 340 0			■																						
12	Gas cock		8 716 102 981 0			■																						
13	Gas valve		8 716 102 995 0			■																						
14	Gas valve supply/ignitor		8 716 103 337 0			■																						
15	Burner manifold assembly		8 716 102 978 0			■																						
16	Screw m5x10mm hex/slotted head		2 911 131 152 0	08		■																						
17	O-Ring 2.62x22.23 id h-nitrile		8 716 140 827 0			■																						
18	M4 extended screw 29mm long		8 716 155 046 0			■																						
19	Screw M4 x 12 phillips (10x)		2 910 952 122 0	11		■																						
20	G3/4" male flange		8 716 104 692 0			■																						
21	Pipe - drain retaining bracket		8 716 103 224 0			■																						
22	Screw m4x8mm taptite zc pl p/h		2 914 411 412 0	03		■																						
23	Gas valve plate		8 716 104 734 0			■																						
24	Flame sense electrode		8 716 104 511 0			■																						
25	Fibre washer 23.9 X 17.2 X 1.5 (10x)		8 710 103 043 0	12		■																						
25	Washer 23.9 x 17.2 x 1.5 (X1)		8 716 115 674 0			■																						
26	Pilot shield		8 716 100 635 0			■																						
27	Screw m4x8mm pozi zc pl p/h		2 912 451 118 0			■																						
28	Pilot tube grommet		8 716 140 720 0			■																						
	Spark return lead		8 716 104 553 0			■																						
400E BSN			Gas valve / Burner D																		3							

Spare parts list



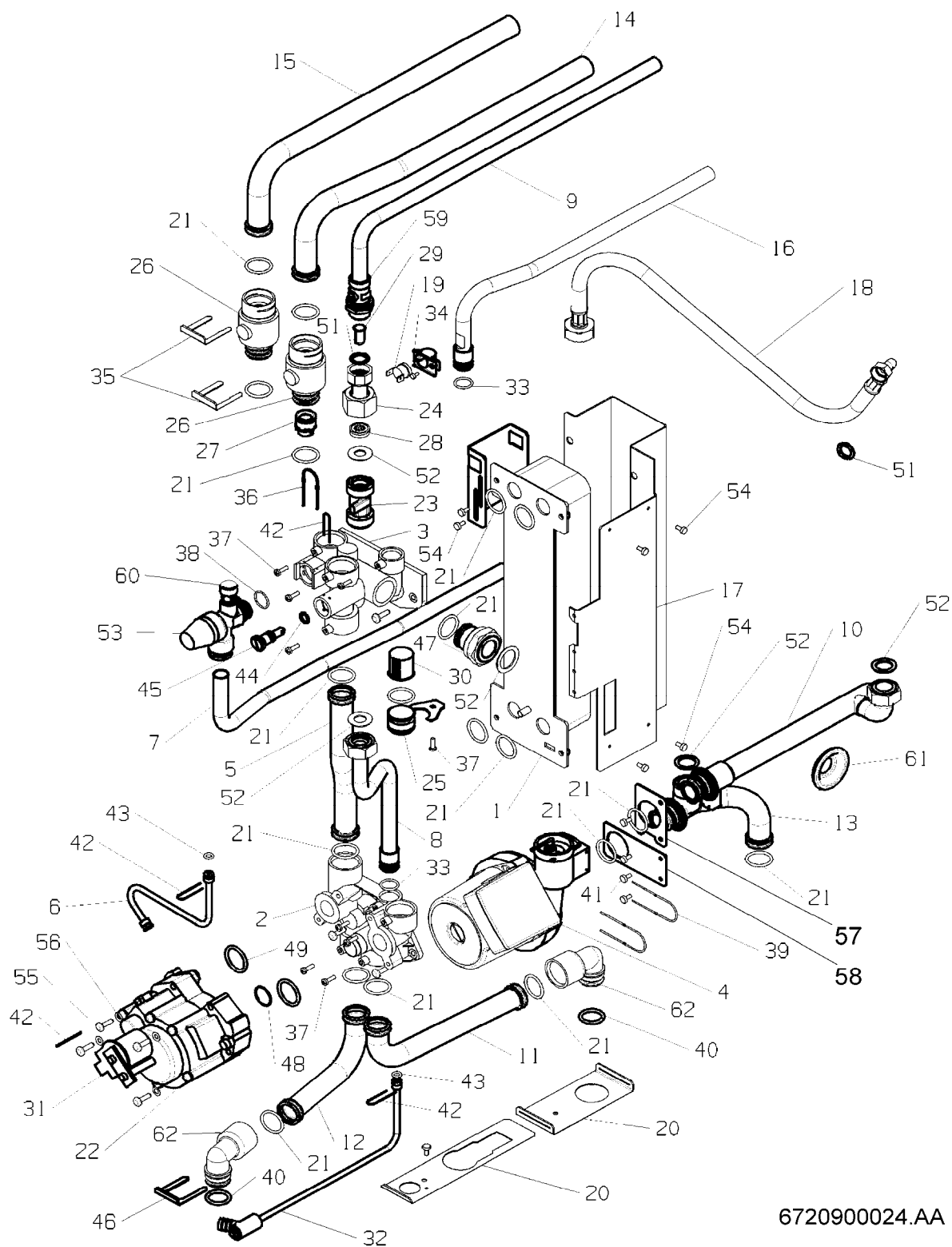
6720900026.AA

Tank / Expansion vessel
D

400E BSN

4

Spare parts list



6720900024.AA

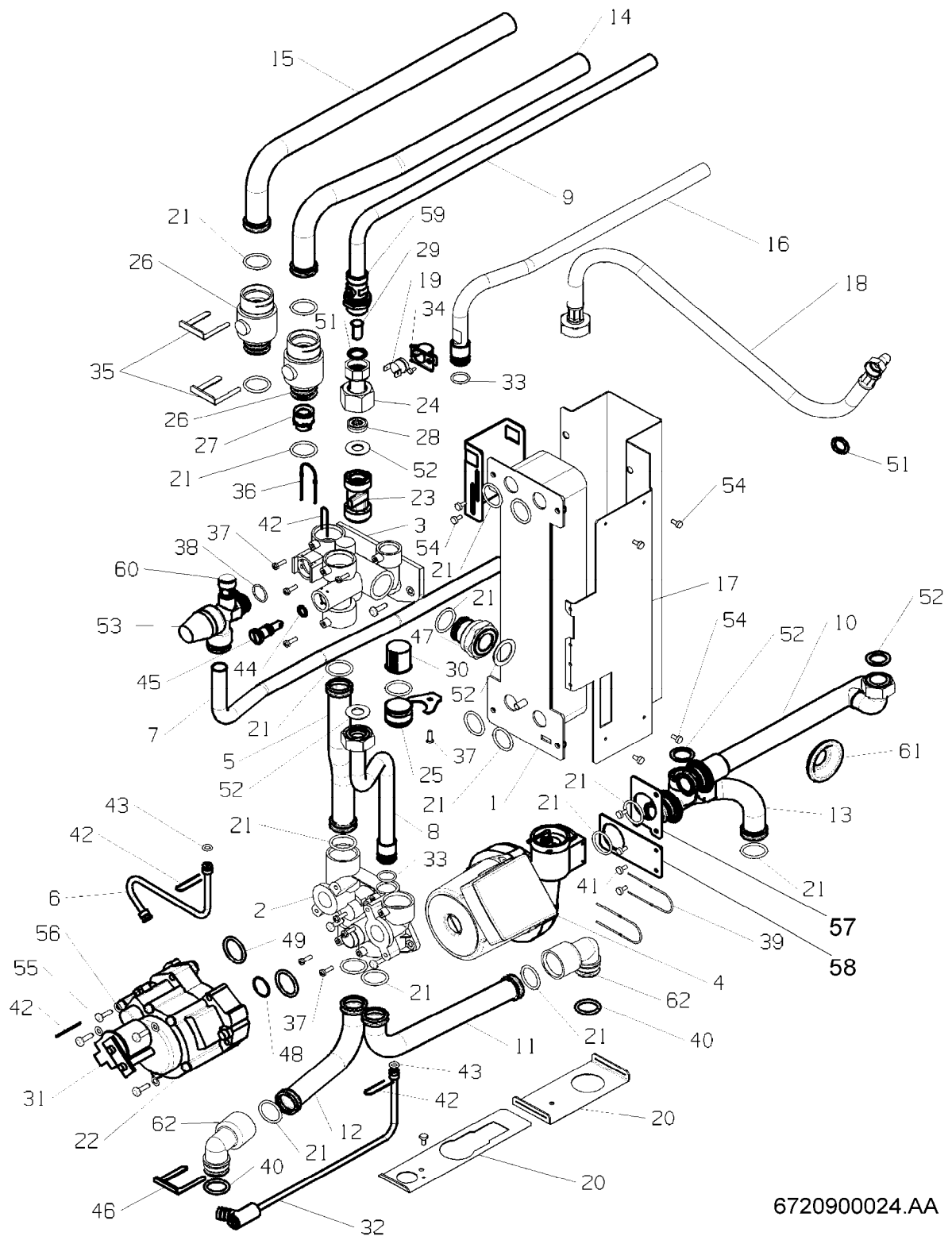
Pump / Hydraulic assy
D

400E BSN

5

Pos	description	S-Nr	ordering no.	PG	gas type	400E BSN												remarks
1	Swep heat exchanger e8-18 ecp		8 716 142 904 0			■												
2	Bottom manifold		8 716 143 016 0			■												
3	Top manifold		8 716 143 017 0			■												
4	Standard 15/60 Pump Head		8 716 113 594 0			■												
4	Pump & O-Rings		8 716 143 103 0			■												
5	Pipe - central heat. ret.		8 716 100 690 0			■												
6	Pipe - 6mm pressure relief assy		8 716 120 743 0			■												
7	Pipe - pressure relief		8 716 102 985 0			■												
8	Domestic inlet assembly 15mm		8 716 102 983 0			■												
9	Pipe - domestic inlet bf.		8 716 100 713 0			■												
10	Pipe - ret heat ex. to pump assy		8 716 120 771 0			■												
11	Pipe - tank return bf		8 716 100 715 0			■												
12	Pipe - w/w heat exch. return bf		8 716 100 714 0			■												
13	Pipe - ret div.man. to pump assy		8 716 121 077 0			■												
14	Pipe - return bf.		8 716 100 712 0			■												
15	Pipe - flow		8 716 100 711 0			■												
16	Pipe - domestic outlet assembly		8 716 102 966 0			■												
17	Heat exchanger bracket assembly		8 716 102 964 0			■												
18	Hose flexible		8 716 140 557 0			■												
19	Ntc/thermister dhw		8 716 142 302 0	17		■												
20	Keep plate locking plate		8 716 100 433 0			■												
21	O-Ring 3.0 sec x 21.5 i/d e.p.		8 716 140 826 0			■												
22	Diverter valve		8 716 104 569 0			■												
23	Harness turbine flow switch assy		8 716 146 160 0			■												
24	Adaptor assembly g1/2 to g3/4		8 716 102 993 0			■												
25	Top manifold plug		8 716 103 259 0			■												
26	22mm isolating valve-return		8 716 142 434 0			■												
27	Non return valve		8 716 142 462 0			■												
28	Flow reg. type a 18 l/m purple + sleeve		8 716 104 479 0			■												
29	Gauze filter		8 716 148 401 0			■												
30	Filter primary system		8 716 148 411 0			■												
31	Solenoid		8 714 204 007 0	28		■												
32	Drain tube assembly		8 716 103 220 0			■												
33	O-Ring 2.4 sec x 14.6 i/d e.p.		8 716 140 825 0			■												
34	Clip - domestic h.w. thermistor		8 716 148 313 0			■												
35	Clip - retaining		8 716 148 322 0			■												
36	Wireform spring		8 716 148 310 0	17		■												
37	Screw 4mm x 12 pt posi pan z/p		2 914 201 303 0			■												
38	O-ring 16x2 (x1)		8 716 115 675 0			■												
38	O-Ring 2.0 X 16.00 ID EP (10x)		8 716 140 814 0	15		■												
39	Wireform spring		8 716 148 321 0	14		■												
40	O-ring 16,64x3,53		8 716 140 831 0			■												
41	Screw m4x8mm taptite zc pl p/h		2 914 411 412 0	03		■												
42	Clip - small wire		8 716 148 323 0			■												
43	O-ring 2.4x5.6 I/D EPDM		8 716 140 838 0	12		■												
44	O-Ring 2.40 x 7.60 id nitrile		8 716 140 808 0	17		■												
45	By-pass Screw		8 716 156 325 0			■												
46	Clip - retaining		8 716 148 320 0			■												
47	Top manifold tail		8 716 140 260 0			■												
48	O-Ring 1.6 sec x 19.1 i/d e.p.		8 716 140 824 0			■												
49	O-Ring 3.53 sec x 23.4 i/d e.p		8 716 140 823 0			■												
51	Washer 18.6 X 13.5 X 1.5 (10x)		8 710 103 045 0	11		■												
400E BSN			Pump / Hydraulic assy D															5

Spare parts list



6720900024.AA

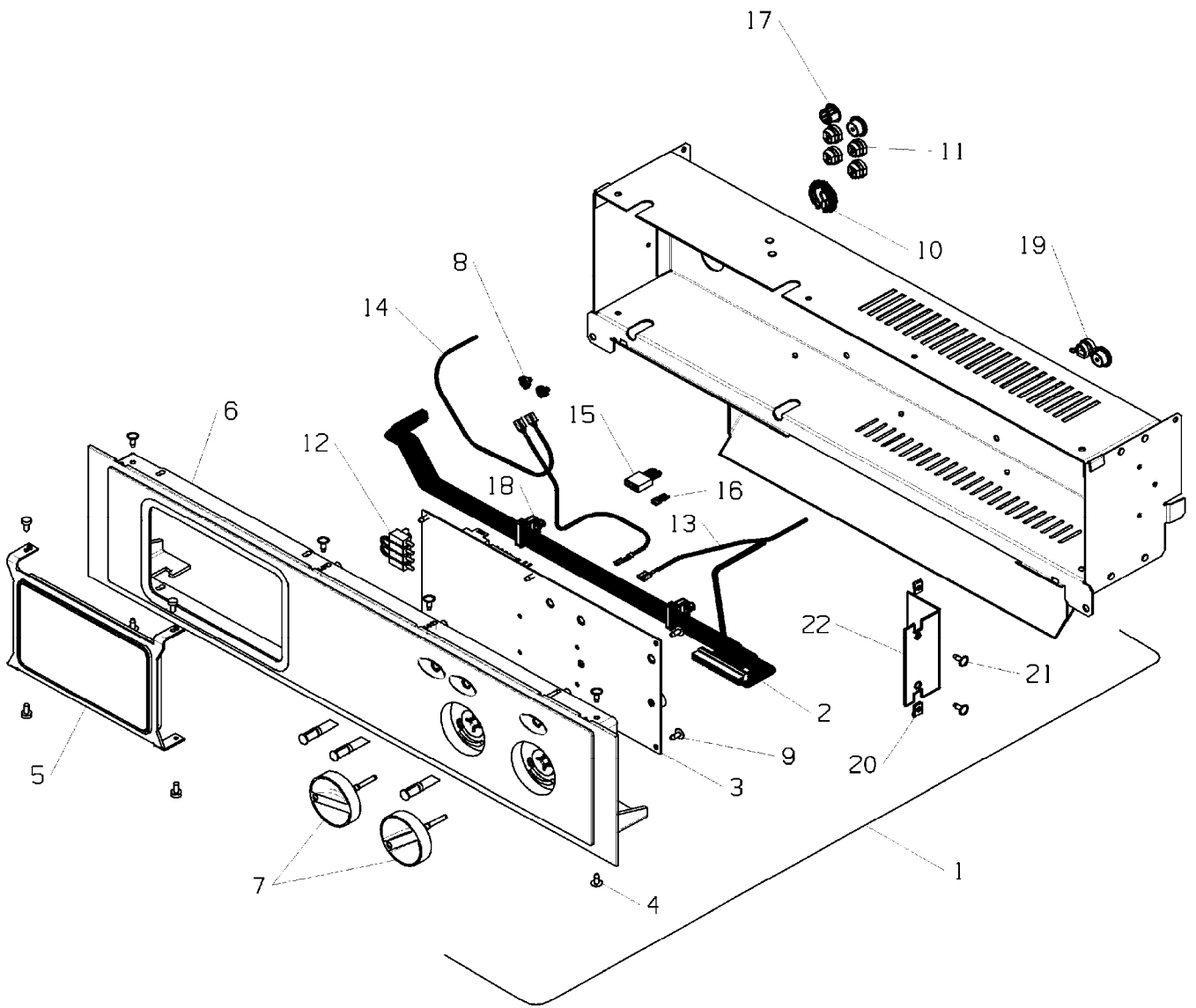
Pump / Hydraulic assy
D

400E BSN

5

Pos	description	S-Nr	ordering no.	PG	gas type	400E BSN																remarks
51	Washer 18.6 x 13.5 x 1.5 (1x)		8 716 115 680 0			■																
52	Fibre washer 23.9 X 17.2 X 1.5 (10x)		8 710 103 043 0	12		■																
52	Washer 23.9 x 17.2 x 1.5 (X1)		8 716 115 674 0			■																
53	Pressure relief valve - 314439		8 716 142 422 0			■																
54	Screw m4x8mm taptite zc pl p/h		2 914 411 412 0	03		■																
55	Screw m5 x 16mm pozi pan head		2 912 451 158 0			■																
56	Washer m5 flat		2 916 011 012 0			■																
57	Upper pump plate		8 716 100 684 0			■																
58	Lower pump plate		8 716 100 685 0			■																
59	Isolator valve 15mm		8 716 102 349 0			■																
60	Air vent manual 1/4 bsp		8 716 140 516 0	21		■																
61	Inner casing grommet		8 716 140 719 0			■																
62	push in elbow		8 716 148 026 0			■																
	Hydraulic assembly		8 716 102 963 0			■																
400E BSN			Pump / Hydraulic assy D													5						

Spare parts list



6720900030.AA

Electrical Box Assembly
D

400E BSN

6

Pos	description	S-Nr	ordering no.	PG	gas type	400E BSN												remarks
1	Electrical box & facia assembly		8 716 104 580 0			■												
2	Harness - main		8 716 103 229 0			■												
3	Control board		8 716 102 339 0			■												
4	Screw m4x10mm taptite Scr zc pl p/h		2 914 411 408 0			■												
5	Facia plain insert plate		8 716 141 236 0			■												
6	Facia assembly		8 716 102 975 0			■												
7	Control knob graphics		8 716 102 472 0			■												
8	Earth connector kit		8 716 101 795 0			■												
9	Screw iso no 6b x 9.5 recessed		2 912 421 210 0	07		■												
10	Bush harness strain relief		8 716 102 470 0			■												
11	Bush open/close		8 716 104 655 0			■												
12	Programmer link		8 716 104 656 0			■												
13	Flame sense lead		8 716 104 554 0			■												
14	Earth harness		8 716 103 346 0			■												
15	Aps link		8 716 103 345 0			■												
16	PCB link		8 716 104 555 0			■												
17	Grommet nylon open-close		8 716 141 050 0	09		■												
18	Cable tie 2.5mm x 100mm		8 716 141 075 0			■												
19	Bush cord strain relief sr5mn3		8 716 141 134 0			■												
20	Nut spire sNu3374		8 716 155 022 0			■												
21	Screw iso no 6b x 9.5 recessed		2 912 421 210 0	07		■												
22	Blanking plate		8 716 104 770 0			■												
400E BSN			Electrical Box Assembly														6	
			D															

**ADDITIONAL SPARE PARTS
FOR APPLIANCE
NOT DRAWN**

9099

6720900999.AA

Additional Spare Part
D

400E BSN

9

Pos	description	S-Nr	ordering no.	PG	gas type																remarks
	400-standard bf terminal-bh420		7 716 191 047 0			400E BSN	■														
	400-extended bf terminal-bh560		7 716 191 048 0				■														
	Electronic timer-t230e7		7 716 192 007 0				■														
	Gasket/O-Ring pack		7 716 192 228 0				■														
	H/flow 400 elec bf serv & inst manual		8 716 104 466 0				■														
	H/flow 400 elec user manual		8 716 104 467 0				■														
	Hardware lit pack		8 716 104 510 0				■														
	Open vent kit		8 716 120 701 0				■														
400E BSN		Additional Spare Part D																		9	

List of translations

Pos			
1			
2			
3			
4			
5			
6			
7			
8			
9			
10			
11			
12			
13			
14			
15			
16			
17			
18			
19			
20			
21			
22			
23			
24			
2			
1			
2			
3			
4			
5			
6			
7			
8			
9			
3			
1			
2			
3			
4			
5			
6			
7			
8			
9			
10			
11			
12			
13			
14			
15			
16			
17			
18			
19			
20			
Pos			

List of translations

21				
22				
23				
24				
25				
26				
27				
28				
4				
1				
2				
3				
4				
5				
6				
7				
8				
9				
10				
11				
12				
13				
14				
15				
16				
17				
18				
19				
5				
1				
2				
3				
4				
5				
6				
7				
8				
9				
10				
11				
12				
13				
14				
15				
16				
17				
18				
19				
20				
21				
22				
23				
24				
25				
26				
Pos				

List of translations

27				
28				
29				
30				
31				
32				
33				
34				
35				
36				
37				
38				
39				
40				
41				
42				
43				
44				
45				
46				
47				
48				
49				
51				
52				
53				
54				
55				
56				
57				
58				
59				
60				
61				
62				
6				
1				
2				
3				
4				
5				
6				
7				
8				
9				
10				
11				
12				
13				
14				
15				
16				
17				
18				
19				
20				
Pos				

Types of appliances

Appliance	ordering no.	Country remarks
HIFLO400 ELECTRONIC-BSN-GB NAT	7 716 120 009	United Kingdom

