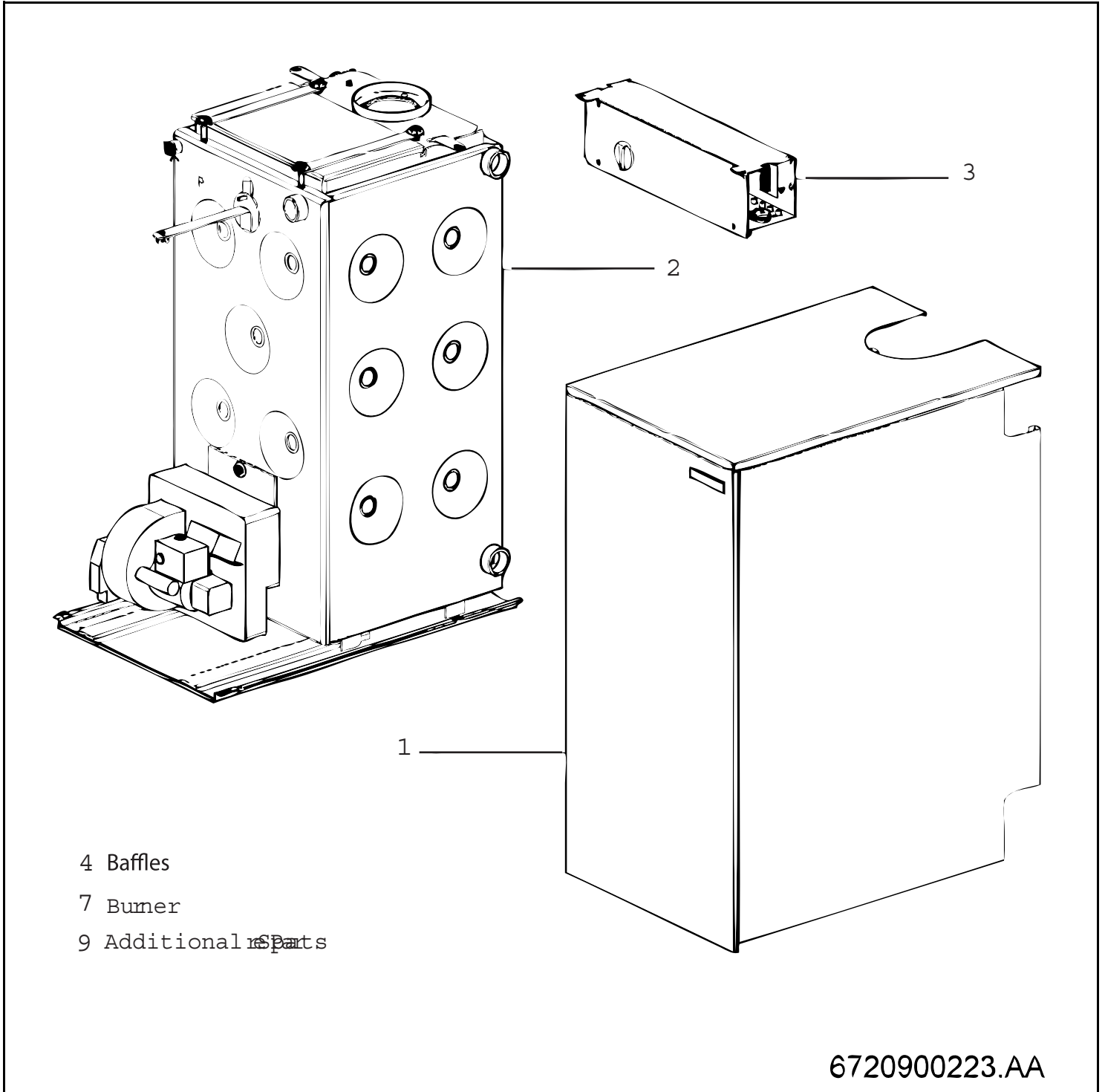
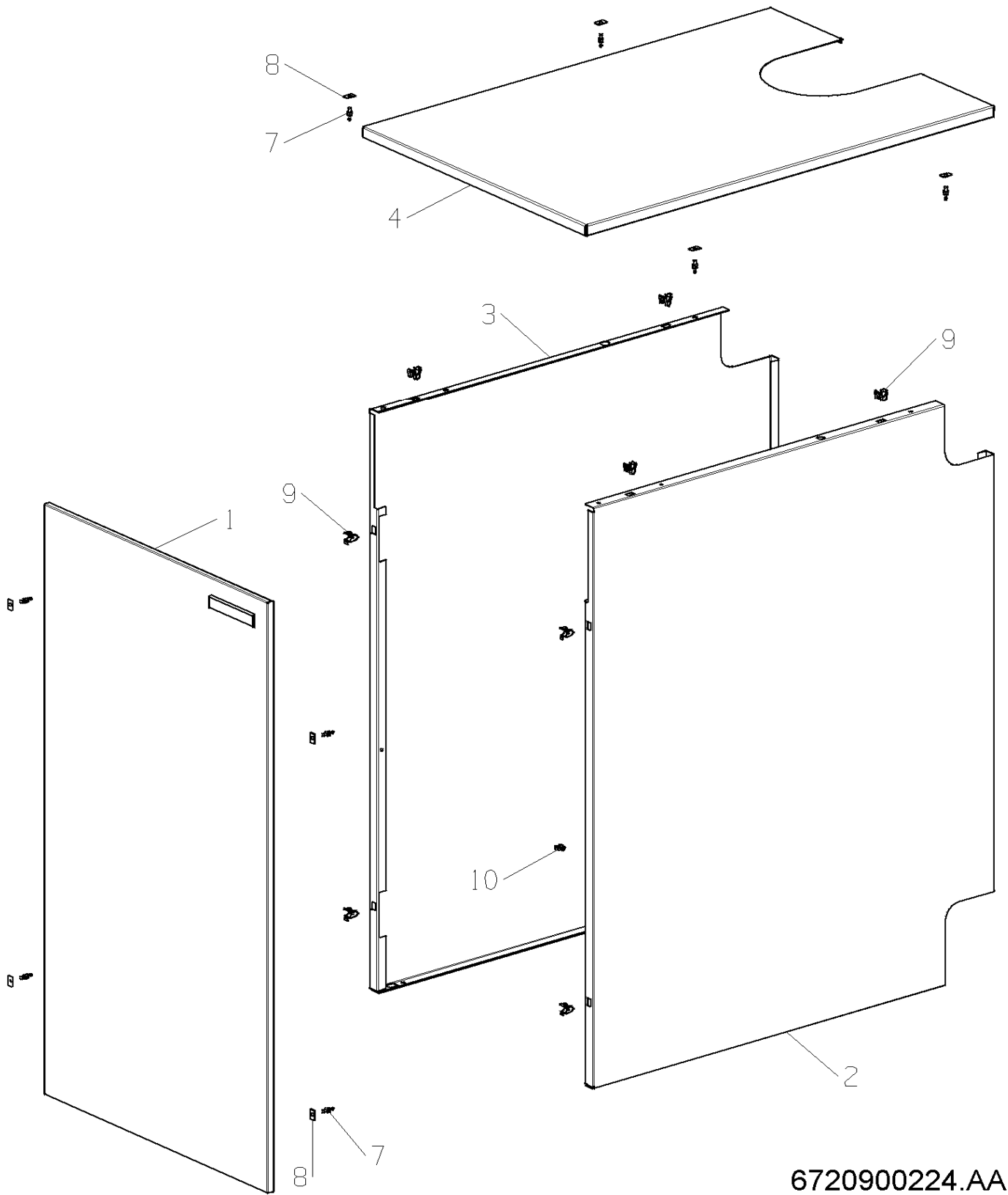


DANESMOOR 50/70-000-GB U'LITY



Spare parts list



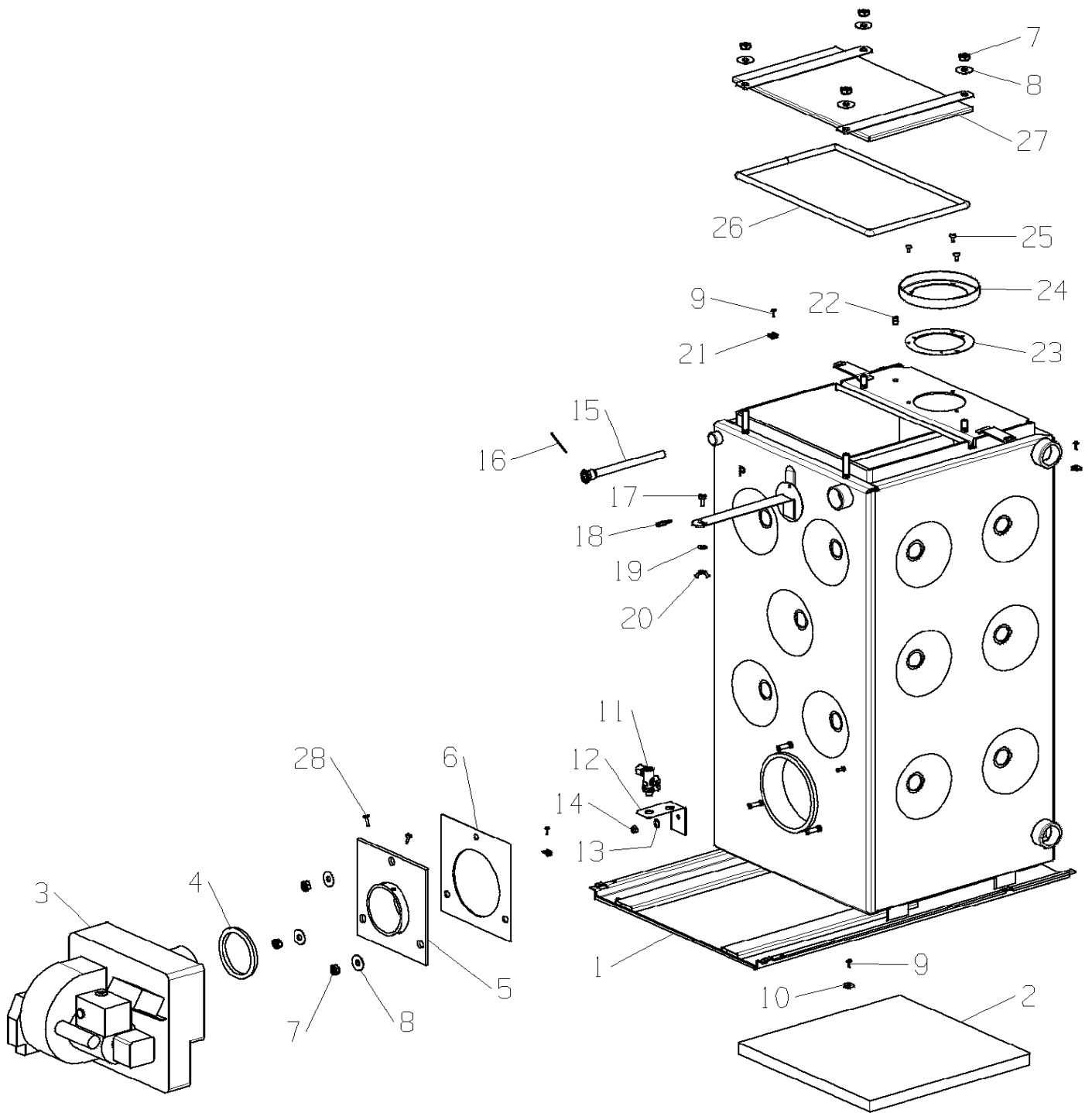
6720900224.AA

Casing
D

1

DANESMOOR 50/70

Spare parts list



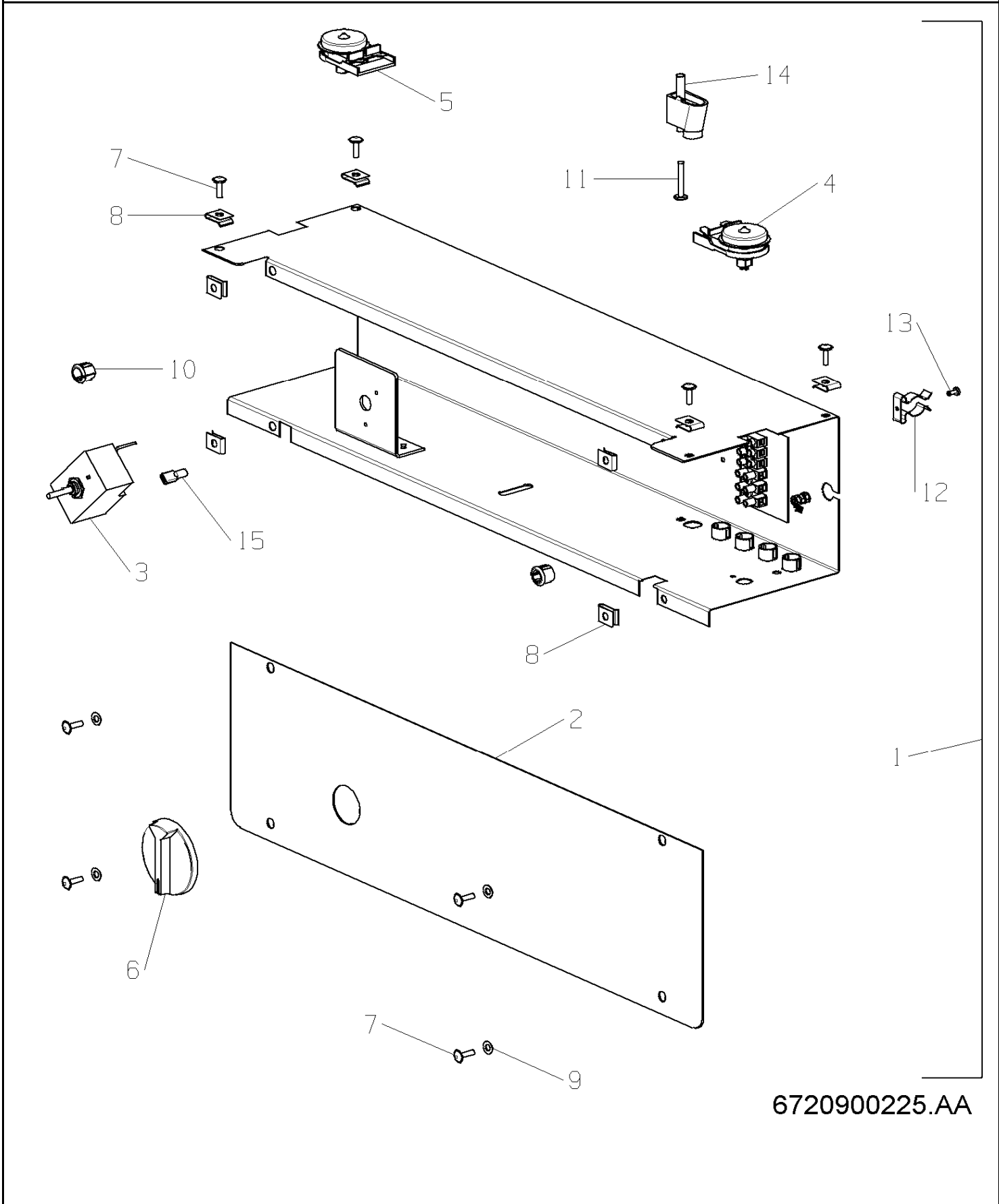
6720900215.AA

Heat Exchanger
D

DANESMOOR 50/70

2

Spare parts list



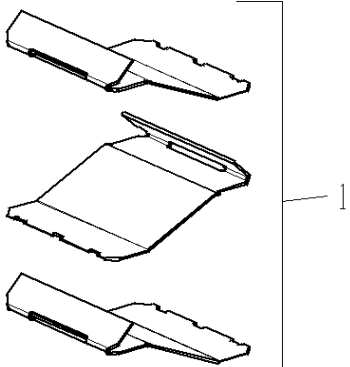
6720900225.AA

Electrical Assembly
D

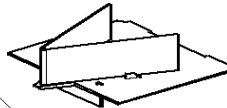
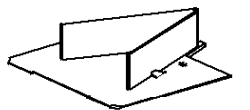
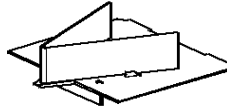
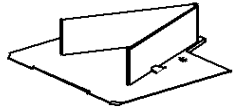
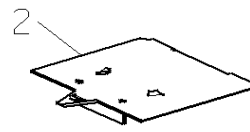
DANESMOOR 50/70

3

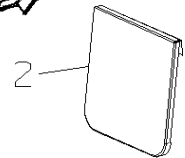
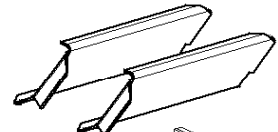
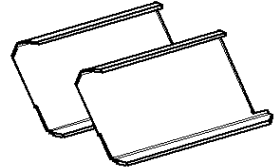
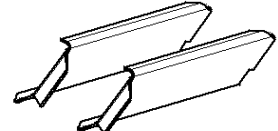
Spare parts list



12/14

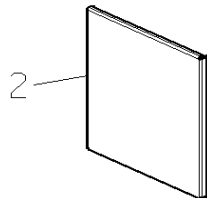
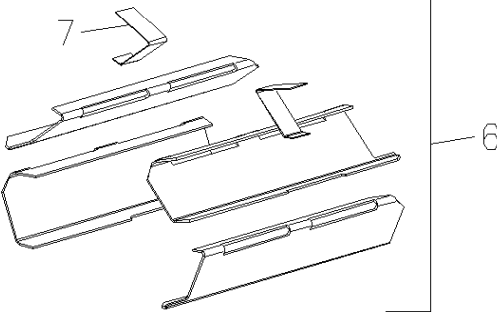
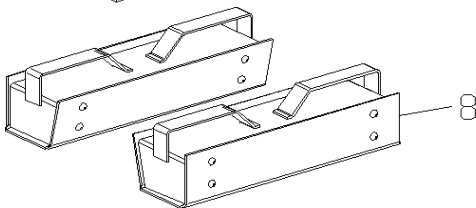
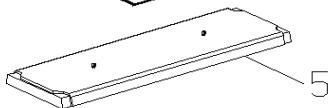
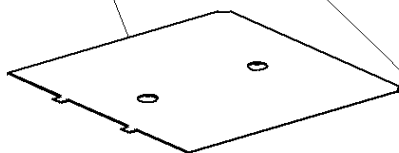
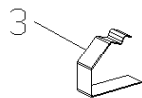


15/19



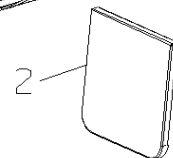
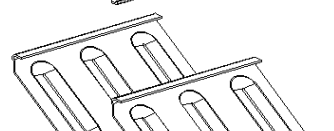
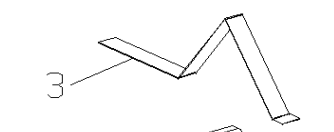
20/25

32/50
ONLY



32/50
50/70

26/32



6720900217.AA

Baffle
D

4

DANESMOOR 50/70

Pos	description	S-Nr	ordering no.	PG	gas type																remarks	
1	50-70 baffle set (11 piece)		8 716 121 428 0			■																
2	Target plate		8 716 100 487 0			■																
3	Top retainer		8 716 100 835 0			■																
5	WaterWay top cap assembly		8 716 121 131 0			■																
7	Angle baffle retainer		8 716 100 834 0			■																
8	Top u baffle assembly		8 716 121 178 0			■																
	Split pin 1¼" st.st		1 904 681 400 0			■																
DANESMOOR 50/70		Baffle D																				4

Drawing not
currently
available

50/70-B20B drawing
D

7

DANESMOOR 50/70

**ADDITIONAL SPARE PARTS
FOR APPLIANCE
NOT DRAWN**

9099

6720900999.AA

Additional Spare Part
D

9

DANESMOOR 50/70

List of translations

Pos			
1			
2			
3			
4			
7			
8			
9			
10			
2			
1			
2			
3			
4			
5			
6			
7			
8			
9			
10			
11			
12			
13			
14			
15			
16			
17			
18			
19			
20			
21			
22			
23			
24			
25			
26			
27			
28			
3			
2			
3			
4			
5			
6			
7			
8			
9			
10			
11			
12			
13			
14			
4			
1			
2			
3			
Pos			

