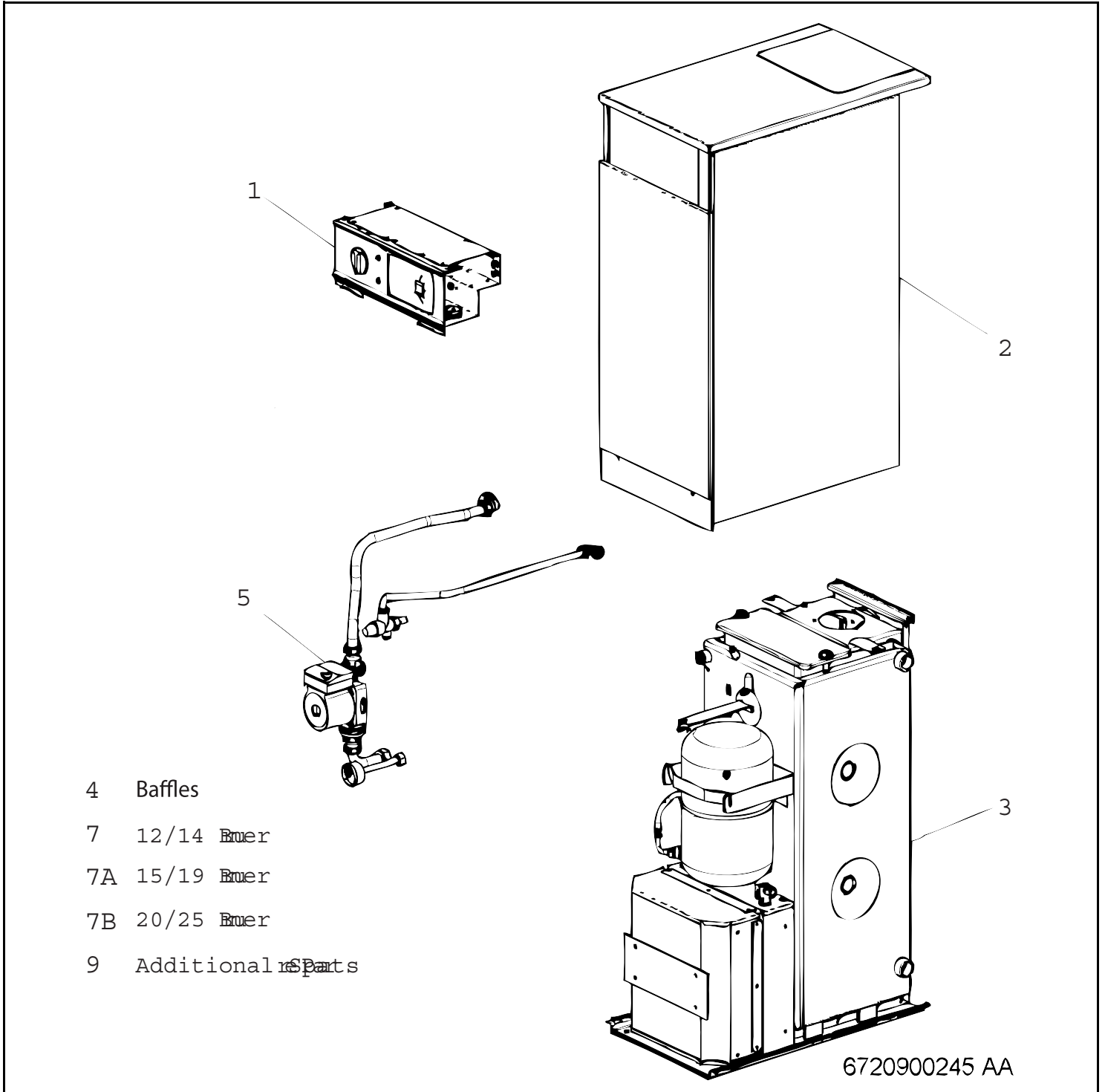


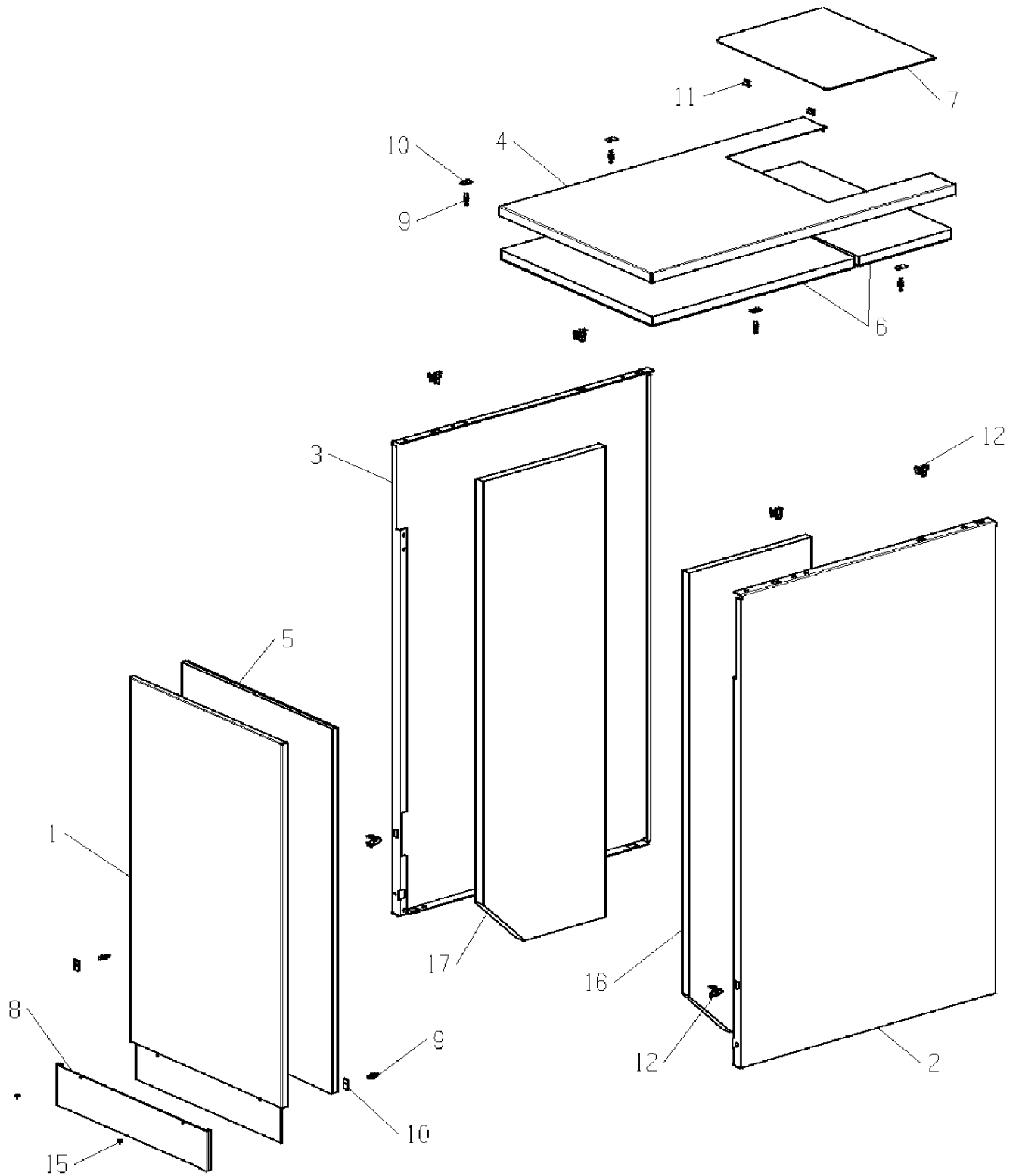
# DANESMOOR 20/25-RSO-GB OIL SYS







Spare parts list



6720900246.AA

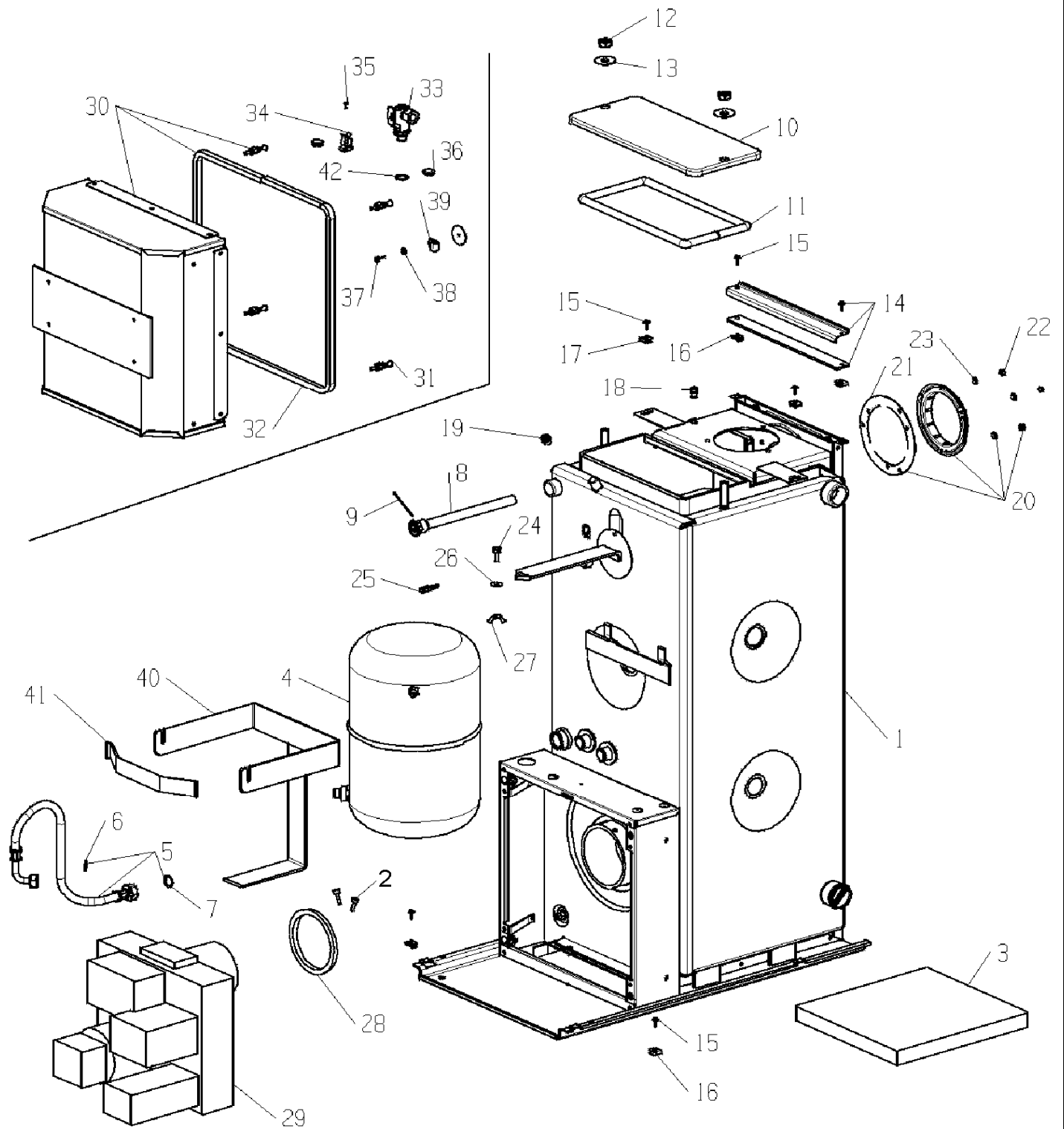
Casing  
D

20/25-RSO

1



Spare parts list



6720900247.AA

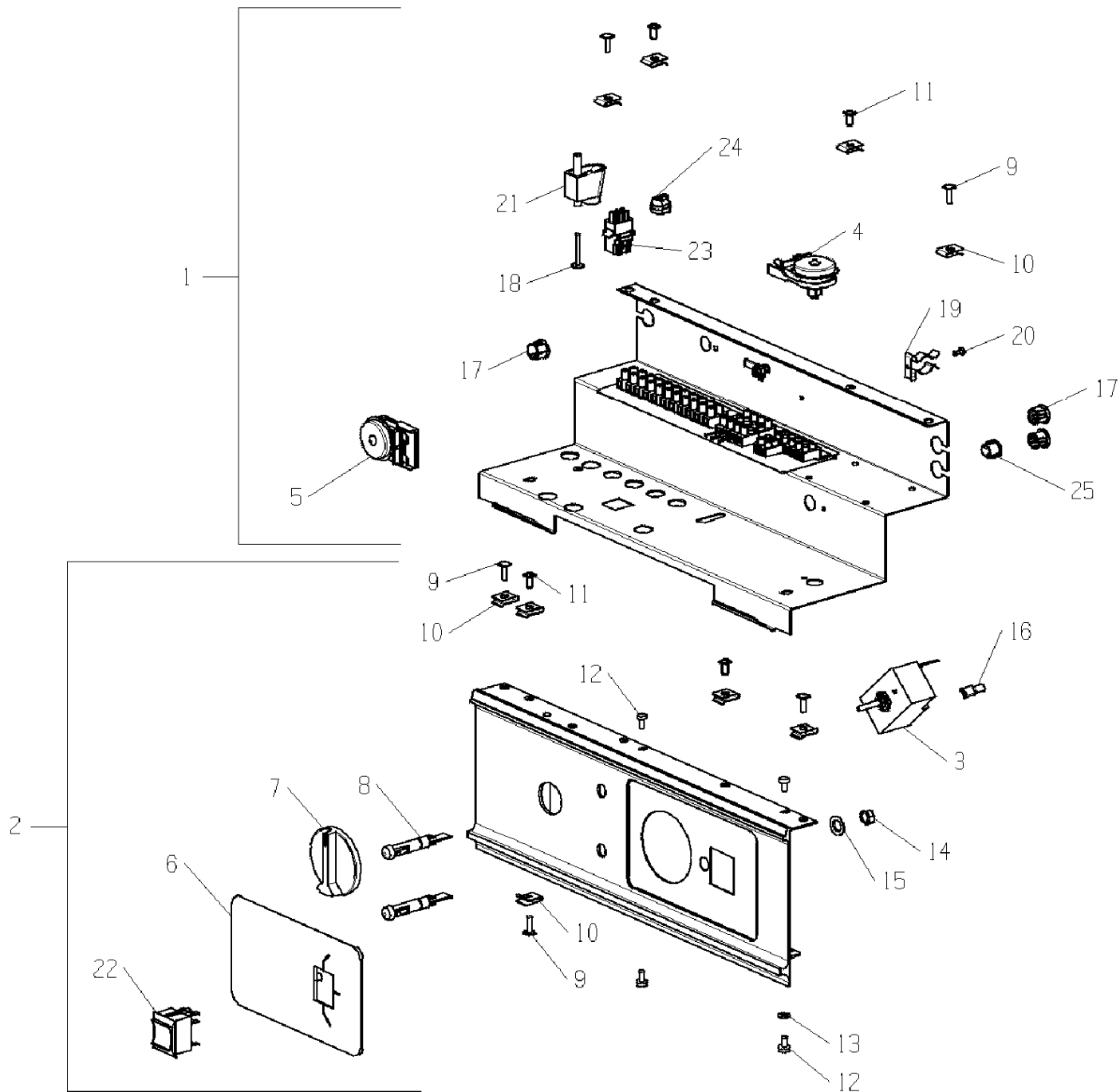
Heat exchanger  
D

20/25-RSO

2



Spare parts list



6720900256.AA

Electrical Box Assembly  
D

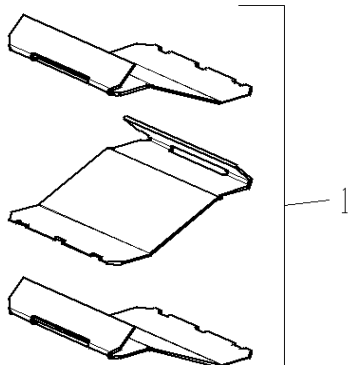
20/25-RSO

3

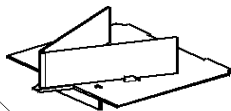
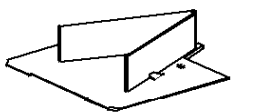
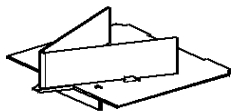
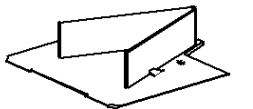
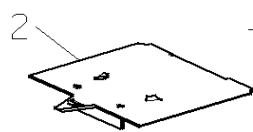


Pos	description	S-Nr	ordering no.	PG	gas type	20/25-RSO												remarks
1	Control box assembly		8 716 120 353 0			■												
2	Facia assembly 20/25		8 716 121 348 0			■												
3	Flow thermostat		8 716 142 309 0	45		■												
4	Thermostat manual reset 900mm capillary		8 716 142 392 0			■												
5	T/stat high limit I07-p1022		8 716 142 311 0			■												
6	Facia blanking plate kit		8 716 148 127 0			■												
7	Knob control green-grey		8 716 141 087 0			■												
8	Neon indicator red		8 716 146 000 0			■												
9	Screw no.8x1/2 f/h type b self tap.		2 912 421 225 0	16		■												
10	Nut Captive No:8		8 716 148 204 0	16		■												
11	Screw no.8 x 3/8" b pozi f/hd s/ta		2 912 421 224 0			■												
12	Screw m4x8mm taptite zc pl p/h		2 914 411 412 0	03		■												
13	Washer m4 flat z/p m/s		2 916 011 010 0			■												
14	Nut m6 full hex z/p m/s		2 915 011 007 0			■												
15	Washer m8 form a ms zinc plate		2 916 011 015 0			■												
17	Grommet nylon open-close		8 716 141 050 0	09		■												
18	Screw no.6x1" type b zp p/h st Sc		2 912 421 215 0			■												
19	Clip - tool 1/2"		8 716 155 038 0			■												
20	Screw m3x6mm zc pl p/h taptite		2 914 411 411 0	18		■												
21	Clamp cable type kb2 insuloid		8 716 141 101 0			■												
22	Switch arrow200400e839 aa 3pos		8 716 146 106 0			■												
23	Harness-recept. to indicators		8 716 120 210 0			■												
24	Cord strain relief Bush		8 716 141 102 0	14		■												
	Pipe - pressure relief		8 716 101 132 0			■												
	Harness 6 Way		8 716 105 271 0			■												
	Harness 3way switch		8 716 120 910 0			■												
	Post purge unit		8 716 146 308 0			■												
20/25-RSO			Electrical Box Assembly D															3

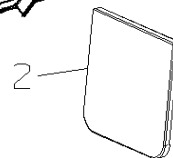
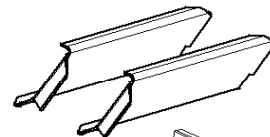
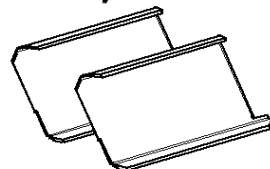
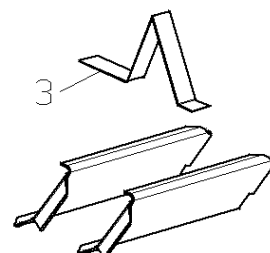
Spare parts list



12/14

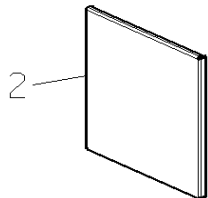
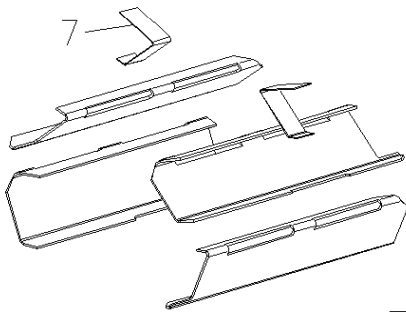
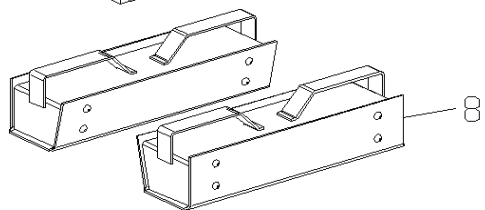
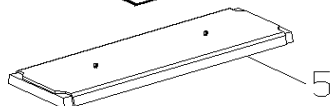
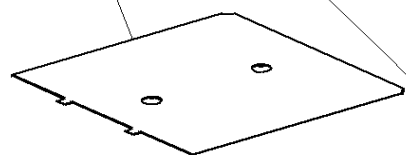
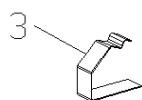


15/19



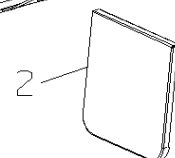
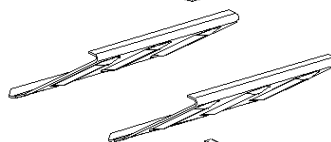
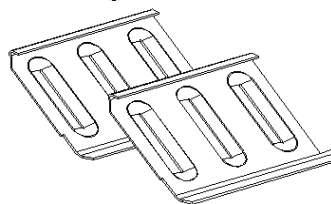
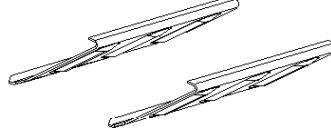
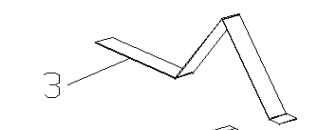
20/25

32/50  
ONLY



32/50  
50/70

26/32



6720900217.AA

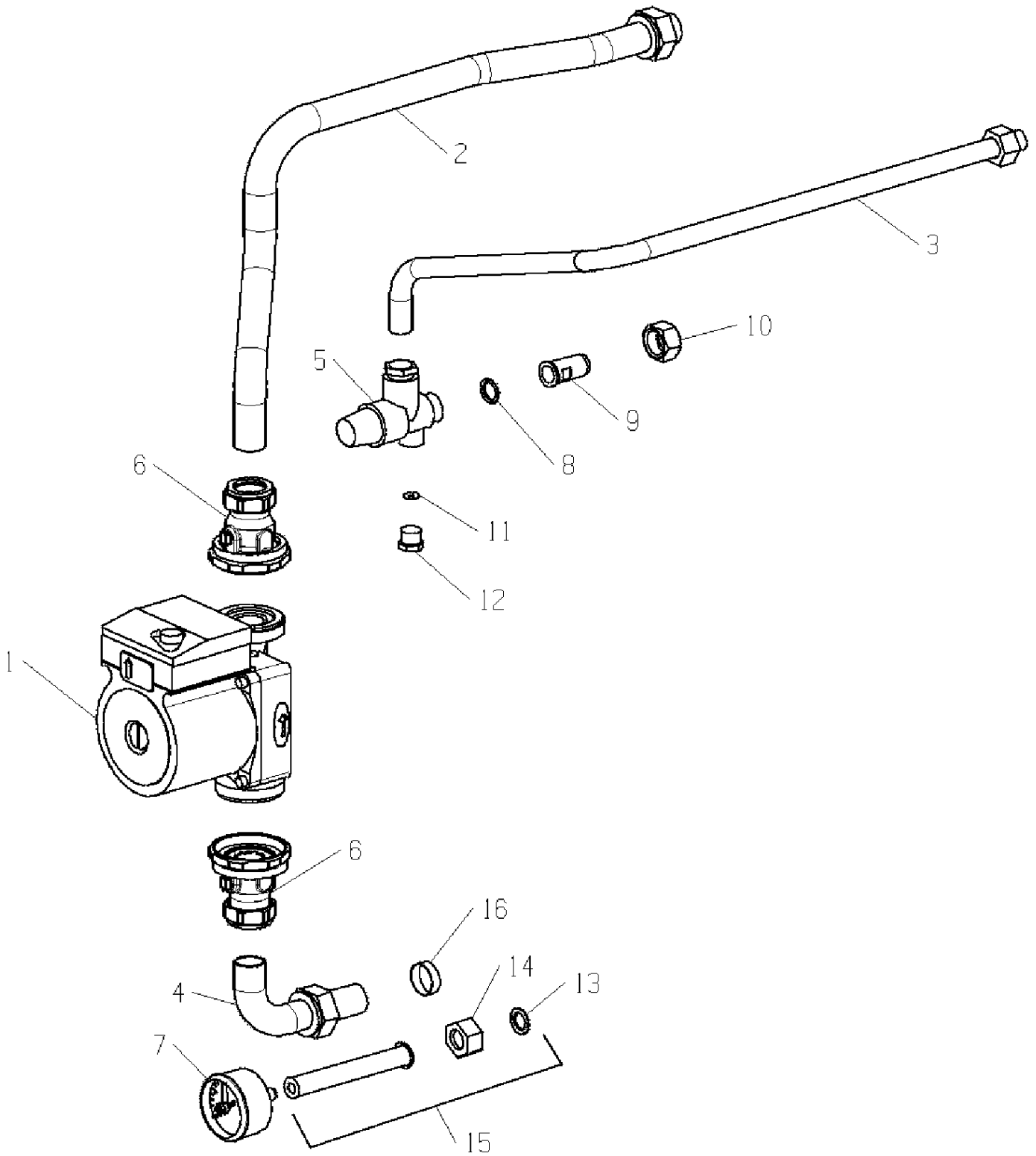
Baffle  
D

20/25-RSO

4

Pos	description	S-Nr	ordering no.	PG	gas type																				remarks		
1	Baffle set x6 20-25		8 716 104 685 0			■																					
2	Target plate		8 716 100 235 0			■																					
3	Baffle retainer		8 716 100 223 0			■																					
	12/19rear flue blanking kit		7 716 192 122 0			■																					
<b>20/25-RSO</b>		Baffle D	<b>4</b>																								

Spare parts list



6720900248.AA

Pump/Hydraulic valve  
D

20/25-RSO

5

Pos	description	S-Nr	ordering no.	PG	gas type															remarks
1	Standard 15/60 Pump Head		8 716 113 594 0			■														
1	Pump UPS 15-60 12 OCL(50526639)		8 716 143 105 0	50		■														
2	Pipe - central heating flow .		8 716 100 291 0			■														
3	Pipe - pressure relief		8 716 100 568 0			■														
4	Pipe - heat exchanger to pump		8 716 100 171 0			■														
5	Valve pr.rel.1/2 x15mmx1/8		8 716 142 416 0	37		■														
6	Valve 22mm x 1-1/2		8 716 142 417 0			■														
7	Gauge pres.50mmx1/8back 4bar		8 716 142 358 0			■														
8	Washer 15mm (thick)		8 716 140 917 0			■														
9	G 3/8 tail		8 716 140 233 0			■														
10	Nut g1/2		8 716 140 236 0			■														
11	Washer		8 716 140 912 0	02		■														
12	Brass blanking plug		8 716 140 261 0			■														
13	Washer 18.6 X 13.5 X 1.5 (10x)		8 710 103 045 0	11		■														
13	Washer 18.6 x 13.5 x 1.5 (1x)		8 716 115 680 0			■														
14	Nut cap 15mm		8 716 140 284 0			■														
15	Pressure gauge fitting		8 716 140 214 0			■														
16	Ring-compression 22mm		8 716 140 296 0			■														
20/25-RSO			Pump/Hydraulic valve D																	5

Drawing not  
currently  
available

Pos	description	S-Nr	ordering no.	PG	gas type														remarks
	Baffle set x6 20-25		8 716 104 685 0			■													
	Burner b11c assembly		8 716 105 307 0			■													
	Nipple 1/4" coNical x 1/4" coNical		8 716 140 554 0			■													
	AEG(fhp) 90w motor		8 716 142 732 0			■													
	Drive coupling - aeg(fhp) motor-b11,b20		8 716 142 734 0			■													
	Photocell & flange - satronic mz770		8 716 142 735 0			■													
	Pump bfp11i3 oil (left hand)		8 716 142 736 0			■													
	Coil solenoid valve bfp21i3		8 716 142 737 0	51		■													
	Cover nozzle assembly		8 716 142 748 0			■													
	Ignition cable 150mm		8 716 142 749 0			■													
	Fan wheel - b11		8 716 142 750 0			■													
	Nozzle assembly complete		8 716 142 751 0			■													
	Ignition electrode 11593701		8 716 142 752 0			■													
	Electrode holder		8 716 142 753 0			■													
	Air adjuster - b11		8 716 142 760 0			■													
	Cable transformer supply-(danfoss ebi)		8 716 142 761 0			■													
	Frame		8 716 142 762 0			■													
	Cover-frame		8 716 142 763 0			■													
	Air damper		8 716 142 764 0			■													
	Retaining bracket for transformer		8 716 142 765 0			■													
	Silencer complete		8 716 142 766 0			■													
	Fan housing - b11		8 716 142 768 0			■													
	Washer copper 1/4"		8 716 142 769 0			■													
	Pump nipple 0.25		8 716 142 770 0			■													
	Union nUt		8 716 142 773 0			■													
	Pressure gauge port		8 716 142 774 0			■													
	Plug pressure gauge port		8 716 142 775 0			■													
	Spring air damper		8 716 142 776 0			■													
	Pump armature for danfoss bfp		8 716 142 778 0			■													
	Relay base satronic tf 830 b		8 716 142 782 0			■													
	Blast tube -pl10/4/24/10 x 80mm		8 716 142 784 0			■													
	Nozzle danfoss 0.60 80 deg s		8 716 142 786 0			■													
	Air distributor collar-b11 010011706302		8 716 142 793 0			■													
	Lead for bfp11i3 oil pump		8 716 146 620 0			■													
	Control box satronic s01 TF832.3		8 716 156 648 0			■													
	Nozzle holder check valve danfoss		8 716 156 658 0			■													
	Flexible oil line		8 716 156 663 0			■													
	4uf capacitor for aeg(fhp) motor[+/-5%]		8 716 156 666 0			■													
	Nozzle danfoss 0.75 80 deg eh		8 716 156 667 0			■													
	Nozzle danfoss 0.60 80 deg eh		8 716 156 676 0			■													
	Transformer-danfoss ebi 052f0030		8 716 156 696 0			■													
	Rear cover plate grommet		8 716 157 011 0			■													
	Motor cable - aeg(fhp)		8 716 157 012 0			■													
	Pipe - two conversion Screw - danfoss		8 716 157 015 0			■													
	Nozzle holder		8 716 157 030 0			■													
	Washer-crush pressure gauge manifold to.		8 716 157 031 0			■													
	Pipe - nozzle connecting - bfp11 pump to		8 716 157 032 0			■													
	Control box base-satronic		8 716 157 042 0			■													
<b>20/25-RSO</b>			20/25-B11 drawing D															<b>7</b>	

**ADDITIONAL SPARE PARTS  
FOR APPLIANCE  
NOT DRAWN**

9099

6720900999.AA

Additional Spare Part  
D

20/25-RSO

**9**



Pos	description	S-Nr	ordering no.	PG	gas type																remarks	
	flue blanking plate kit		8 716 101 107 0			20/25-RSO																
	Literature Pack - D/moor 12-25/RSO		8 716 104 495 0																			
	Flue blanking plate		8 716 120 641 0																			
<b>20/25-RSO</b>			Additional Spare Part D																	<b>9</b>		

**List of translations**

Pos				
1				
2				
3				
4				
5				
6				
7				
8				
9				
10				
11				
12				
15				
16				
17				
2				
1				
2				
3				
4				
5				
6				
7				
8				
9				
10				
11				
12				
13				
14				
15				
16				
17				
18				
19				
20				
21				
22				
23				
24				
25				
26				
27				
28				
29				
30				
31				
32				
33				
34				
35				
36				
37				
38				
39				
40				
Pos				

**List of translations**

41				
42				
<b>3</b>				
1				
2				
3				
4				
5				
6				
7				
8				
9				
10				
11				
12				
13				
14				
15				
17				
18				
19				
20				
21				
22				
23				
24				
<b>4</b>				
1				
2				
3				
<b>5</b>				
1				
2				
3				
4				
5				
6				
7				
8				
9				
10				
11				
12				
13				
14				
15				
16				
7				
Pos				
<b>9</b>				





