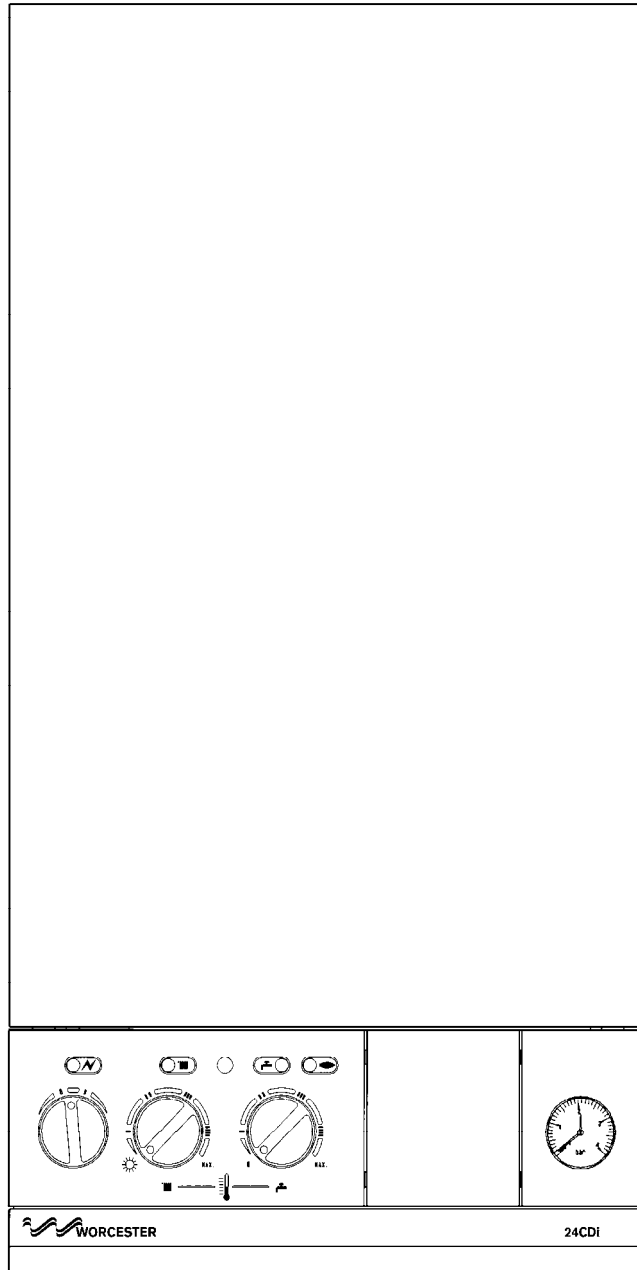


# 24CDI BF



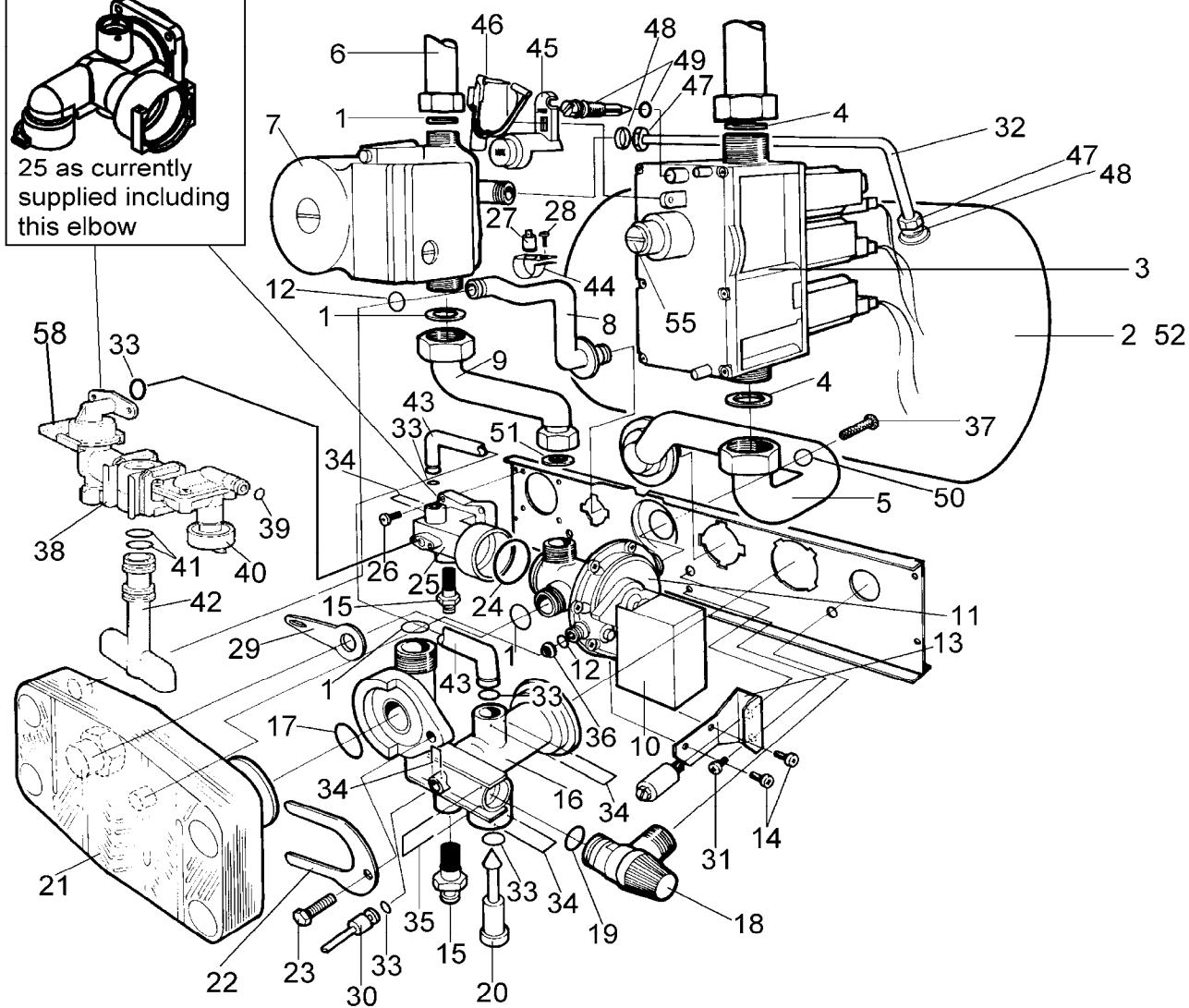
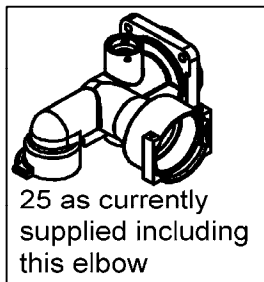
- 1 Pump & Hydraulic Assy
- 2 Superstructure
- 3 Electrical Box Assy
- 4 Casing
- 5 Wall mounting Assy
- 9 Additional Spare Parts

6720900075.AA





# Spare parts list



6720900076.AC

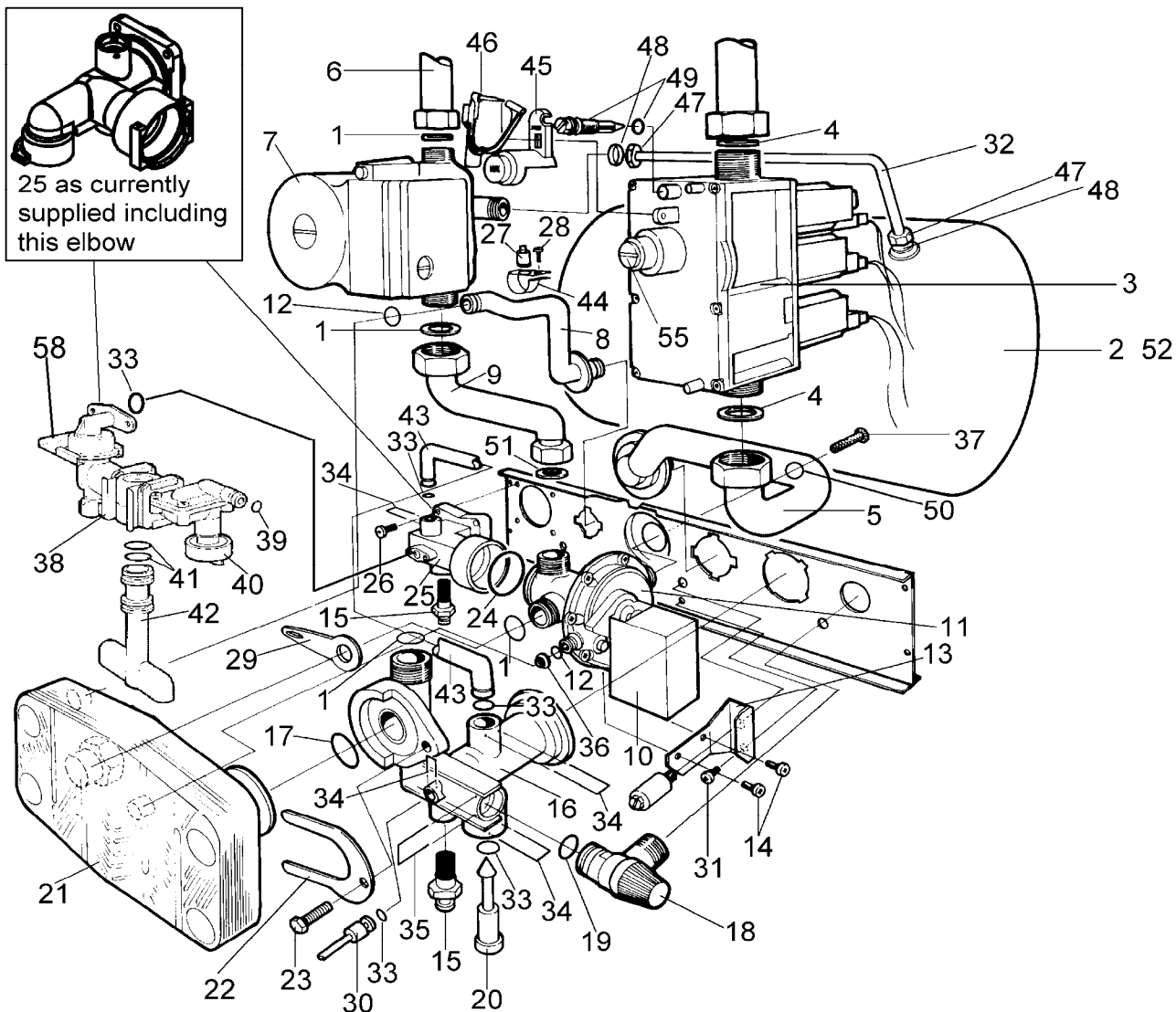
Pump / Hydraulic assy  
D

24CDI-BSN

1

Pos	description	S-Nr	ordering no.	PG	gas type	24CDI-BSN													remarks
1	washer 30.5x22.2x1.5		8 716 140 920 0	13	NG	■													
2	Expansion vessel 10 litres		8 716 142 500 0	51	NG	■													
3	Gas valve- Dungs ref: 239		8 716 102 673 0	47	NG	■													
4	Washer fibre 24.0 x 16.0 x 1.5		8 716 140 900 0	07	NG	■													
5	Pipe - gas inlet complete		8 716 143 069 0		NG	■													
6	Pipe - primary flow		8 716 120 123 0	30	NG	■													
7	Pump grundfos 59506607		8 716 143 108 0	53	NG	■													
8	Pipe - domestic outlet		8 716 120 044 0	35	NG	■													
9	Pipe - pump outlet		8 716 120 045 0	30	NG	■													
10	Diverter valve switch assembly		8 716 146 100 0	35	NG	■													
11	Diverter valve v37 uk		8 716 156 746 0	50	NG	■													
12	O-Ring 2.62 x 11.91 id nitrile		8 716 140 802 0	15	NG	■													
13	Diverter retainer		8 716 100 036 0	09	NG	■													
14	Screw m4x8mm taptite zc pl p/h		2 914 411 412 0	03	NG	■													
15	Drain Screw assembly		8 716 120 037 0	21	NG	■													
16	Return connector		8 716 141 020 0	36	NG	■													
17	O-Ring 3.0 x 25.5 id ep50		8 716 140 803 0	07	NG	■													
18	Pressure relief valve 312438		8 716 142 404 0	23	NG	■													
19	O-ring 16x2 (x1)		8 716 115 675 0		NG	■													
19	O-Ring 2.0 X 16.00 ID EP (10x)		8 716 140 814 0	15	NG	■													
20	By pass Screw		8 716 140 202 0	18	NG	■													
21	Plate heat exchanger pwv 12e		8 716 142 900 0	55	NG	■													
22	Clip - retaining		8 716 148 302 0	14	NG	■													
23	Retaining clip Screw		8 716 140 105 0	23	NG	■													
24	O-ring 27.5 x 3.00		8 716 102 293 0	03	NG	■													
25	Flow Manifold		8 716 105 093 0	30	NG	■													
26	Screw m4 x 12mm taptite zc pl ph		2 914 411 404 0	02	NG	■													
27	Ntc/thermister dhw		8 716 142 302 0	17	NG	■													
27	Central heating sensor (pps)		8 716 142 384 0	29	NG	■													
28	Screw no.8x1/2 f/h type b self tap.		2 912 421 225 0	16	NG	■													
29	Retaining bracket		8 716 100 086 0	26	NG	■													
30	Pressure gauge 4 bar dark grey		8 716 142 300 0		NG	■													
31	Screw iso no 6b x 9.5 recessed		2 912 421 210 0	07	NG	■													
32	Pipe - expansion vessel		8 716 100 093 0	17	NG	■													
33	O-ring 7x2,5		8 716 140 817 0	22	NG	■													
34	Clip		8 716 148 301 0	03	NG	■													
35	Wireform spring		8 716 148 310 0	17	NG	■													
36	Flow regulator type E-W 8 litre white		8 716 141 054 0	21	NG	■													
37	Water filter mpmv3326 st.st.		8 716 148 400 0	30	NG	■													
38	Charging link assembly		8 716 105 103 0	48	NG	■													
39	O-Ring 1.60 x 7.10 id ep		8 716 140 807 0	17	NG	■													
40	Valve spindle knob assy - grey		8 716 121 109 0	24	NG	■													
41	O-Ring 3.00 x 19.00 id epdm		8 716 140 816 0	17	NG	■													
42	Charging link key		8 716 121 107 0	30	NG	■													
43	Pipe - by pass		8 716 120 051 0	36	NG	■													
44	Clip - domestic h.w. thermistor		8 716 148 309 0	12	NG	■													
45	Covering sheet		8 710 506 182 0	16	NG	■													
46	Security tag black		8 712 305 077 0	15	NG	■													
47	Nut 10mm compression		8 716 140 226 0	13	NG	■													
48	10mm compression ring		8 716 140 227 0	18	NG	■													
49	Setting Screw		8 743 404 290 0	11	NG	■													
50	O-Ring 2.5 x 10.0 id ep50		8 716 140 848 0		NG	■													
<b>24CDI-BSN</b>			Pump / Hydraulic assy D															<b>1</b>	

# Spare parts list



6720900076.AC

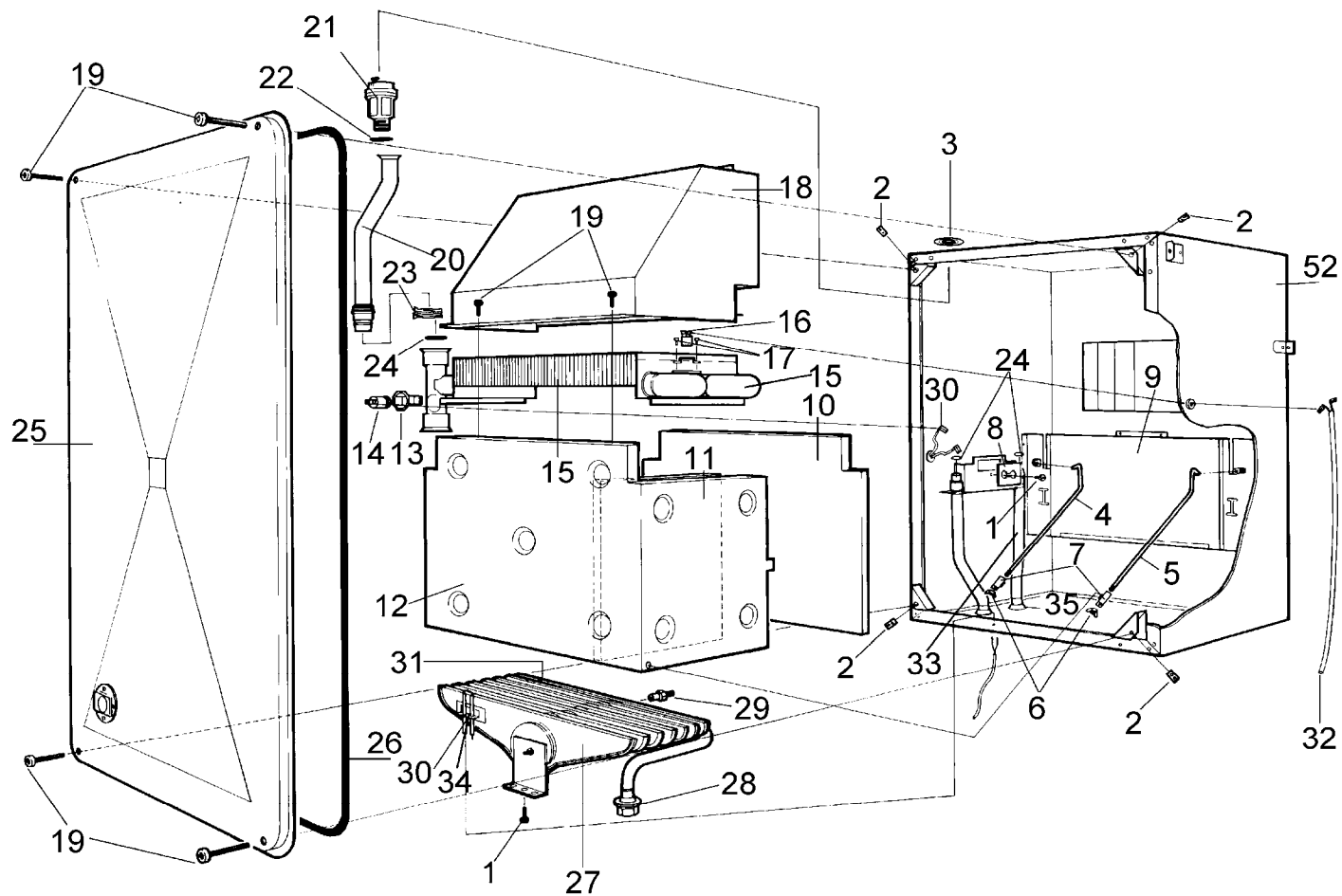
Pump / Hydraulic assy  
D

24CDI-BSN

1

Pos	description	S-Nr	ordering no.	PG	gas type	24CDI-BSN													remarks
51	Fibre washer 23.9 X 17.2 X 1.5 (10x)		8 710 103 043 0	12	NG	■													
51	Washer 23.9 x 17.2 x 1.5 (X1)		8 716 115 674 0		NG	■													
52	Cable tie 763mm ntb190h		8 716 141 064 0		NG	■													
55	Sealing screw		8 743 406 145 0	20	NG	■													
58	Clip - charging link		8 716 148 307 0		NG	■													
	Washer - fibre pack		7 716 192 205 0		NG	■													
	Bracket-gas valve		8 716 100 007 0		NG	■													
	Circlip diverter valve		8 716 105 433 0		NG	■													
	Cap diverter valve		8 716 105 434 0		NG	■													
	O - Ring pack CDi		8 716 108 072 0	29	NG	■													
	Manifold & diverter assembly		8 716 120 323 0		NG	■													
<b>24CDI-BSN</b>			Pump / Hydraulic assy													<b>1</b>			
			D																

Spare parts list



6720900077.AB

Superstructure  
D

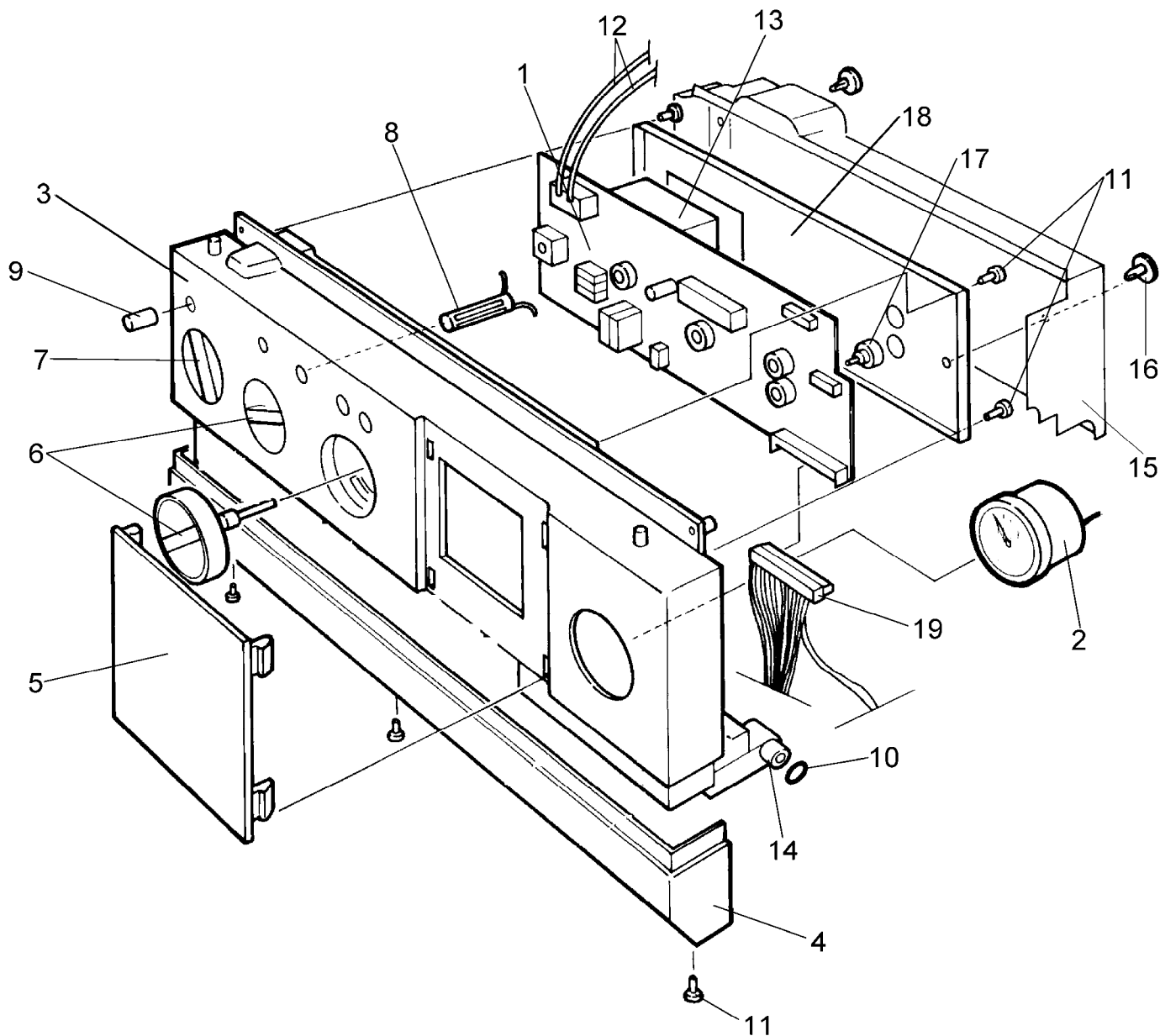
24CDI-BSN

2





Spare parts list



6720900066.AA

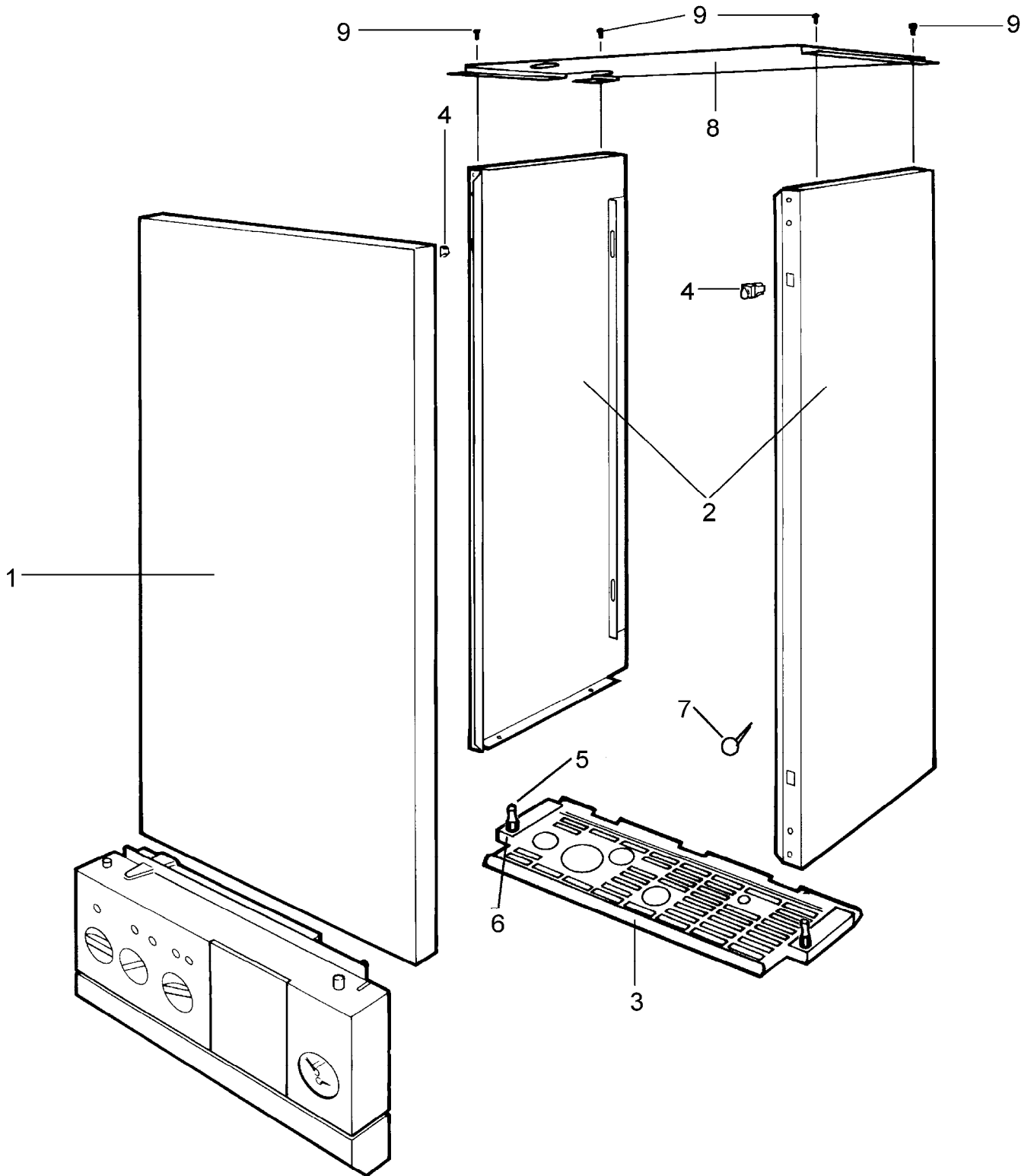
Electrical Box Assembly  
D

24CDI-BSN

3

Pos	description	S-Nr	ordering no.	PG	gas type	24CDI-BSN														remarks
1	Pcb heattron. 2 242 of/bf		8 748 300 220 0		NG	■														
2	Pressure gauge 4 bar dark grey		8 716 142 300 0		NG	■														
3	Facia main body		8 716 141 012 0		NG	■														
4	Facia panel bottom 24cdi		8 716 141 014 0		NG	■														
5	Facia inset plate		8 716 141 008 0		NG	■														
6	Control knob		8 716 141 044 0		NG	■														
7	Selector knob		8 716 141 021 0		NG	■														
8	Reset button		8 716 141 019 0	18	NG	■														
9	Facia light insert		8 716 141 011 0	10	NG	■														
10	O-Ring 1.60 x 7.10 id ep		8 716 140 807 0	17	NG	■														
11	Screw iso no 6b x 9.5 recessed		2 912 421 210 0	07	NG	■														
12	Harness ignition assembly		8 716 120 229 0	23	NG	■														
13	Transformer - bv066-0188.0		8 747 201 248 0	43	NG	■														
14	Facia hinge pin		8 716 141 007 0	26	NG	■														
15	Electrical box cover		8 716 141 067 0	27	NG	■														
16	Panel fastener		8 716 141 045 0	04	NG	■														
17	Potentiometer adjuster - black		8 716 141 151 0		NG	■														
18	Facia plate assembly		8 716 120 346 0	38	NG	■														
19	Harness main 242 bf		8 716 120 344 0		NG	■														
	CDi-fuse pack		7 716 192 206 0		NG	■														
	Harness earth cdi & i range		8 716 121 260 0		NG	■														
	PCB support pillar tcbs-8-01		8 716 141 076 0		NG	■														
	Fuse 2a slow blow 20 x 5mm		8 716 156 000 0		NG	■														
	Fuse 1.25a 20mm antisurge		8 716 156 001 0		NG	■														
	Sealing screw		8 743 406 145 0	20	NG	■														
<b>24CDI-BSN</b>		<b>Electrical Box Assembly</b>																		
		<b>D</b>																		
		<b>3</b>																		

Spare parts list



6720900067.AA

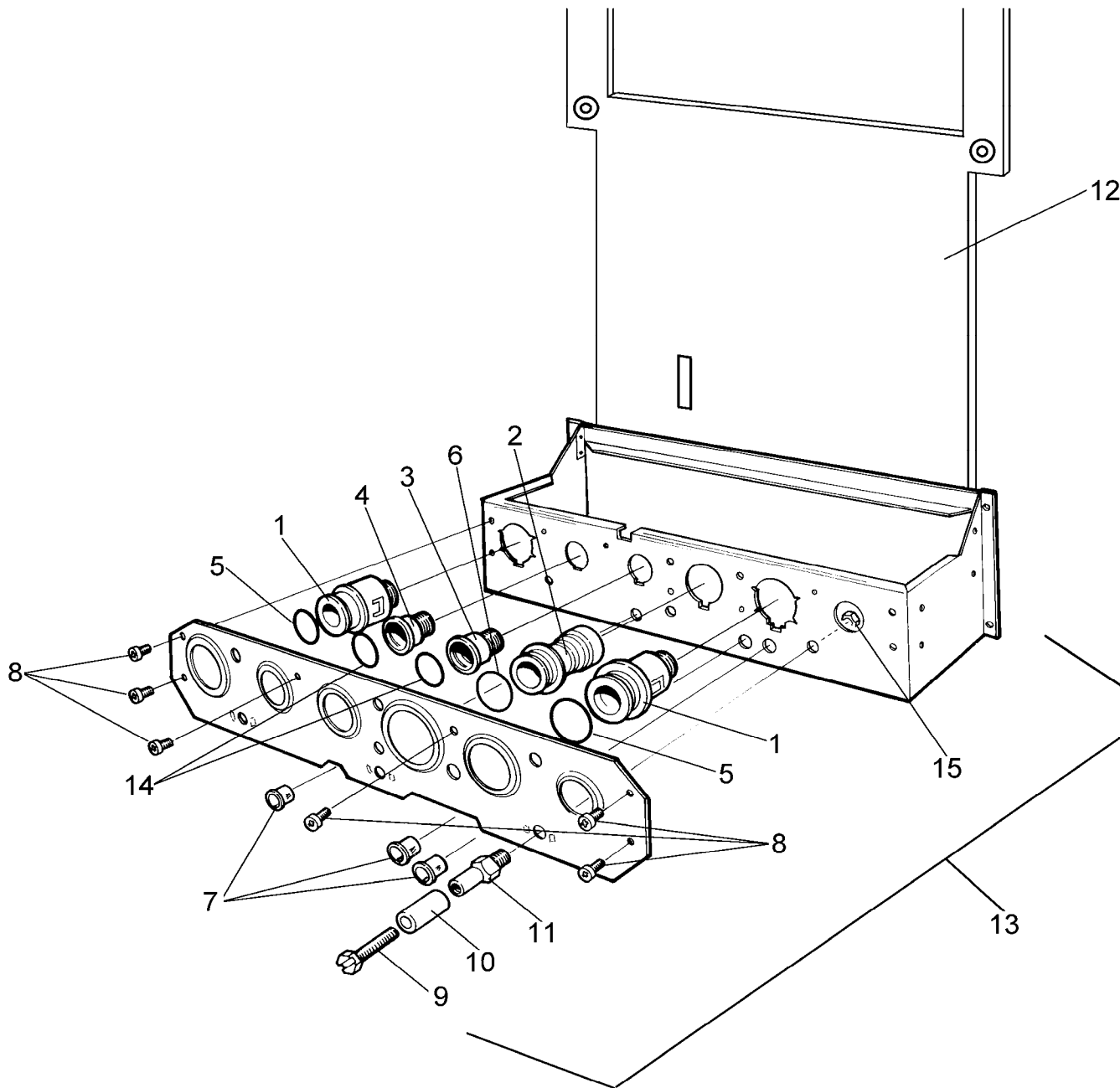
Casing  
D

24CDI-BSN

4

Pos	description	S-Nr	ordering no.	PG	gas type	24CDI-BSN															remarks
1	Cabinet front panel painted		8 716 100 994 0	50	NG	■															
2	Cabinet side panel painted		8 716 100 995 0	40	NG	■															
3	Cabinet bottom panel assembly		8 716 120 033 0	50	NG	■															
4	Retaining button (5 pack)		8 716 141 035 0	16	NG	■															
5	Stud 2ba brass ball new design		8 716 140 512 0	08	NG	■															
6	Nut 2ba flat black m/s		8 716 155 002 0	05	NG	■															
7	M4 x 16 lg pozi pan hd taptite		8 716 155 045 0		NG	■															
8	Cabinet top panel bf painted		8 716 100 997 0		NG	■															
9	Screw no.8x1/2 f/h type b self tap.		2 912 421 225 0	16	NG	■															
24CDI-BSN			Casing D																		4

Spare parts list



6720900078.AA

Wall Mounting assy  
D

24CDI-BSN

5

Pos	description	S-Nr	ordering no.	PG	gas type	24CDI-BSN												remarks	
1	22mm isolating valve		8 716 148 006 0		NG	■													
2	rp 3/4 gas cock		8 716 142 405 0		NG	■													
3	15mm domestic water valve		8 716 148 005 0		NG	■													
4	15mm service connector		8 716 148 004 0		NG	■													
5	O-Ring 3.53 x 26.6 id red		8 716 140 800 0	17	NG	■													
6	O-Ring 3.0 x 22.5 id yellow		8 716 140 801 0		NG	■													
7	Grommet nylon open-close		8 716 141 050 0	09	NG	■													
8	Screw m4x10mm taptite Scr zc pl p/h		2 914 411 408 0		NG	■													
9	Screw m6x16mm set zc pl hex hd		2 911 131 197 0	08	NG	■													
10	Retainer		8 716 140 104 0	14	NG	■													
11	Alignment pin		8 716 140 101 0	18	NG	■													
12	Wall mounting panel ass		8 716 120 022 0		NG	■													
13	Service connections assembly		8 716 121 191 0		NG	■													
14	O-ring 2.62 X 17.86		8 716 140 806 0	15	NG	■													
15	Nut m8 full hex m/s zc pl		2 915 011 009 0	18	NG	■													
<b>24CDI-BSN</b>			Wall Mounting assy																<b>5</b>
			D																

**ADDITIONAL SPARE PARTS  
FOR APPLIANCE  
NOT DRAWN**

9099

6720900999.AA

Additional Spare Part  
D

**9**

**24CDI-BSN**





**List of translations**

Pos				
1				
2				
3				
4				
5				
6				
7				
8				
9				
10				
11				
12				
13				
14				
15				
16				
17				
18				
19				
20				
21				
22				
23				
24				
25				
26				
27				
28				
29				
30				
31				
32				
33				
34				
35				
36				
37				
38				
39				
40				
41				
42				
43				
44				
45				
46				
47				
48				
49				
50				
51				
52				
55				
58				
Pos				

**List of translations**

<b>2</b>				
1				
2				
3				
4				
5				
6				
7				
8				
9				
10				
11				
12				
13				
14				
15				
16				
17				
18				
19				
20				
21				
22				
23				
24				
25				
26				
27				
28				
29				
30				
31				
32				
33				
34				
35				
<b>3</b>				
1				
2				
3				
4				
5				
6				
7				
8				
9				
10				
11				
12				
13				
14				
15				
Pos				
16				
17				
18				
19				



**Types of appliances**

Appliance	ordering no.	Country      remarks
<b>24CDI-BSN-GB NAT GAS COMBI</b>	7 716 130 012	United Kingdom











