



Bosch Group

INSTRUCTIONS FOR FITTING & USING INTEGRAL CHARGING LINK

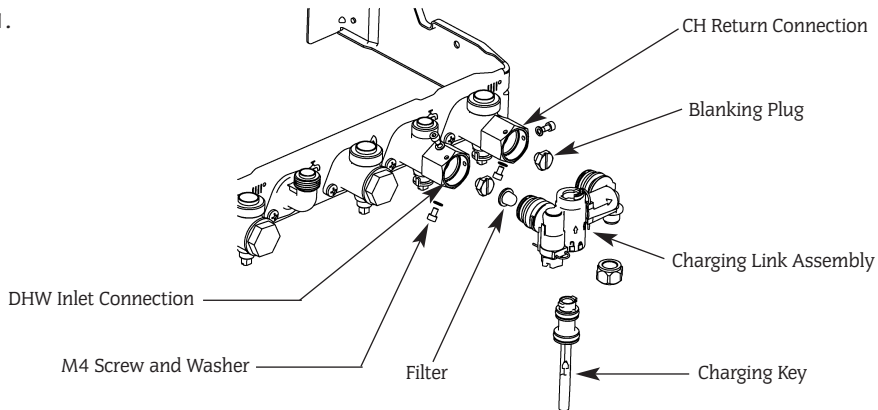
7 716 192 281

The Charging Link is supplied as an accessory pack. Check that the following parts are contained within the pack:

Filling Loop Kit.....	8 716 107 303
Charging Link Assembly.....	8 716 104 592
Charging Key Assembly.....	8 716 104 591
Filter ³ / ₈ " Thimble.....	8 716 104 618
4 x Socket Head Cap Screw M4x 6mm.....	2 910 141 116
4 x M4 Lock Washer.....	2 916 699 130
2 x O Ring.....	8 716 140 806

1. Fully close the isolating valves on both the DHW inlet and CH return connections.
 2. Check that the boiler or Pre-filling Kit (7 716 192 282) is installed correctly onto the Manifold Assembly and the gas and water connections are tight.
 3. Unscrew the blanking plugs from both the DHW inlet and CH return connections.
 4. Place the filter inside the inlet side of the Charging Link ensuring that the filter mesh is inside the inlet.
 5. Fit the Charging Link assembly onto the DHW inlet and CH return connections (see Fig. 1).
- Do not insert the Charging Key at this stage.**

Fig. 1.



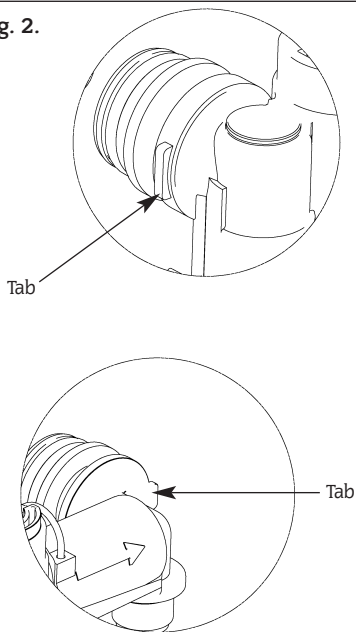
Ensure that the Charging Link is pushed in fully to the stop tabs on both sides of the Charging Link (see Fig. 2).

6. Fit two M4 screws complete with washers to each of the two connections. NB. It is not possible to access the third screw hole so this can be left.

Do not attempt to turn the brass hexagon connectors.

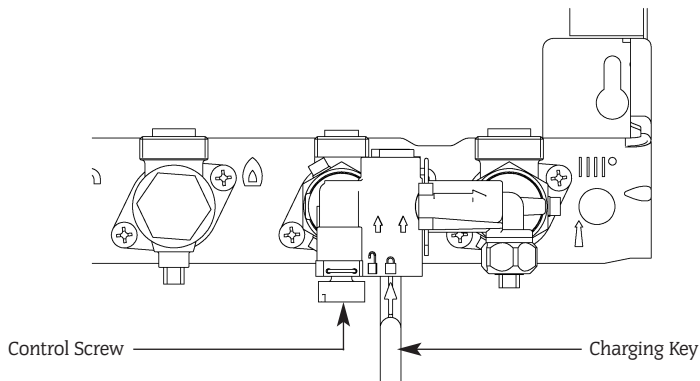
7. Ensure that the white plastic Control Screw on the Charging Link is turned fully into its closed position (see Fig. 3).
8. Open the isolating valves on both the DHW inlet and CH return connections.
9. Insert the Charging Key by initially aligning the arrow on the key with the "unlock" symbol on the Charging Link body. Ensure that the key is inserted fully and turn to the "lock" position. Check that the key is secure (see Fig. 3).

Fig. 2.



10. To fill the system from the DHW inlet turn the white plastic Control Screw on the Charging Link to the fully out position.
11. Once the system has been filled turn the white Control Screw to its closed position and then remove the Charging Key by turning back to its "unlock" position and withdrawing. Store the Charging Key in the clip provided on the inside of the bottom panel. Fit the bottom panel in position.

Fig. 3.



Worcester, Bosch Group, Cotswold Way, Warndon, Worcester WR4 9SW. Telephone: (01905) 754624.

Fax: (01905) 754619. Technical Helpline (08705) 266241. www.worcester-bosch.co.uk

This booklet is accurate at the date of printing but will be superseded and should be disregarded if specifications and/or appearances are changed in the interests of continued improvement. All goods sold are subject to our official Conditions of Sale, a copy of which may be obtained on application.