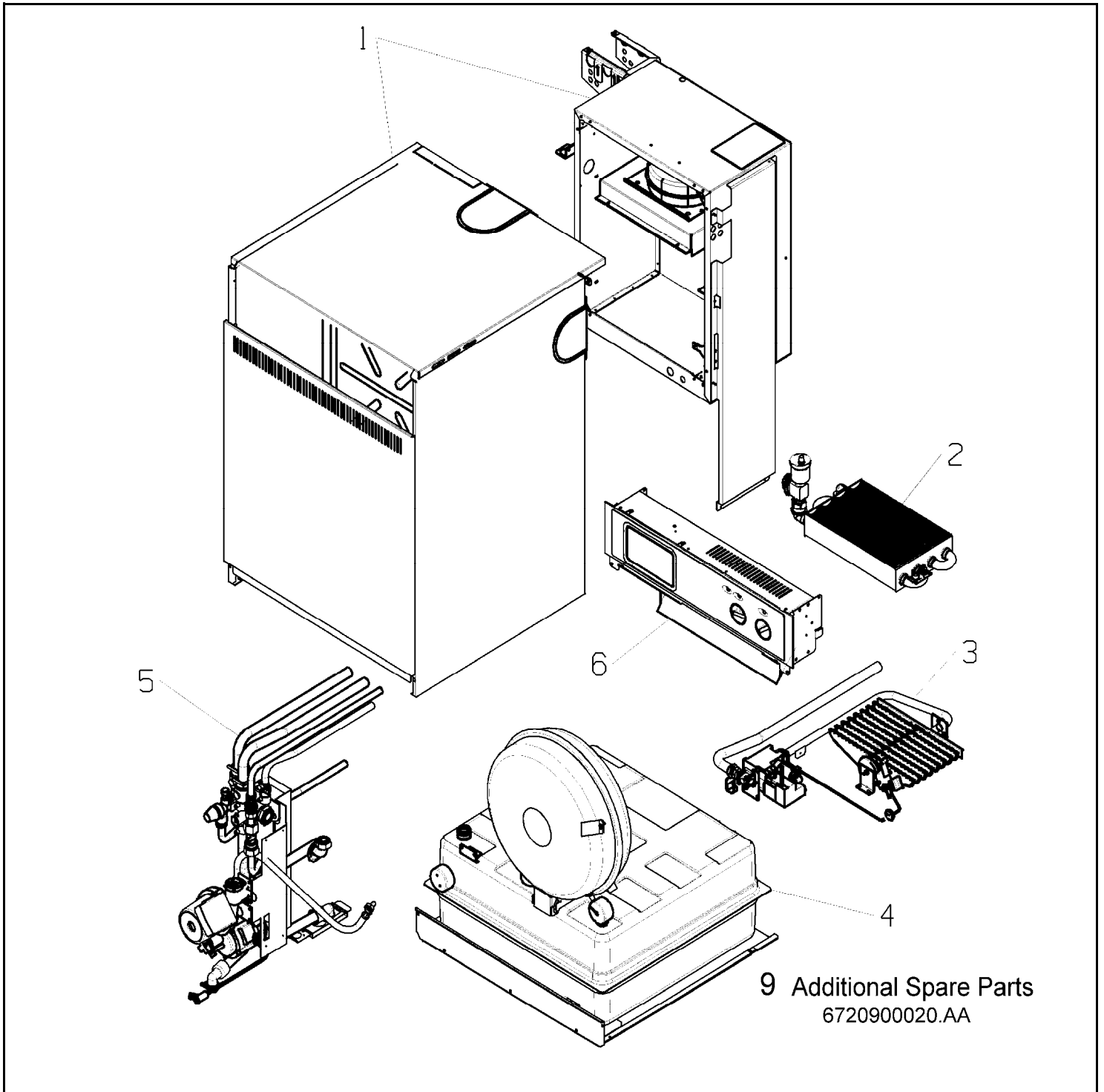
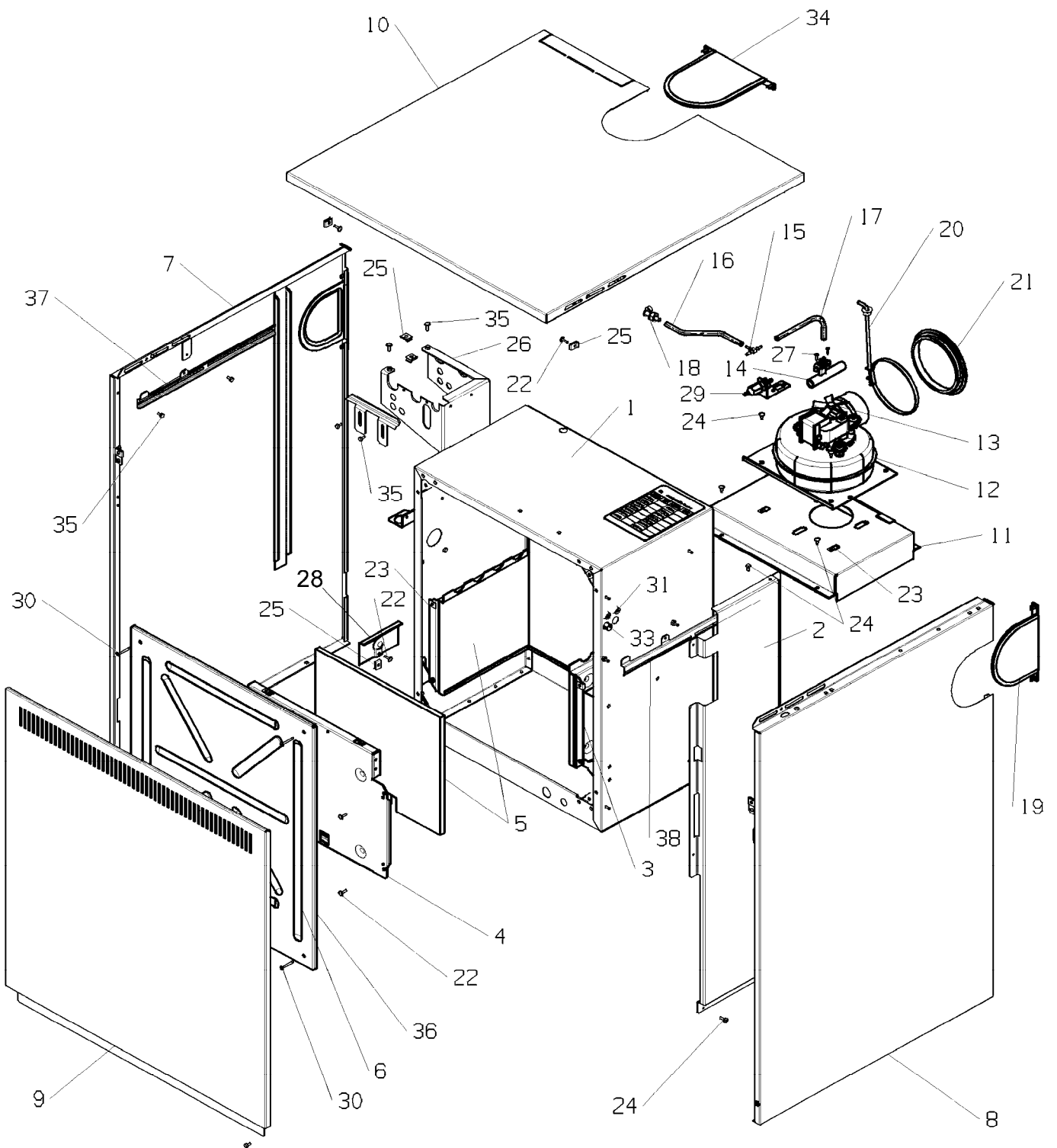


Highflow 400 E RSF



Spare parts list



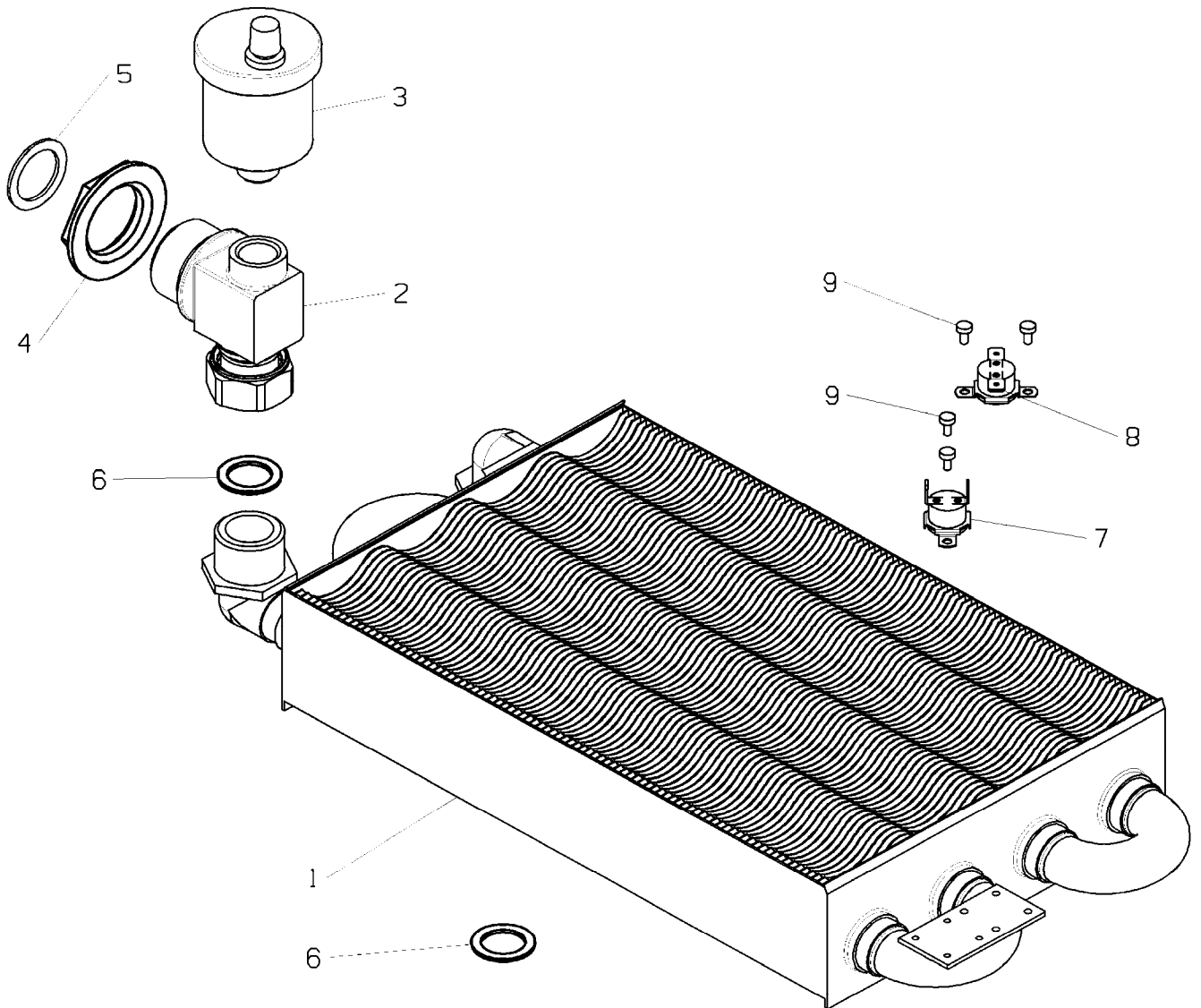
6720900021.AA

Superstructure / Case
D

400 E FSN 400 E FSP

1

Spare parts list



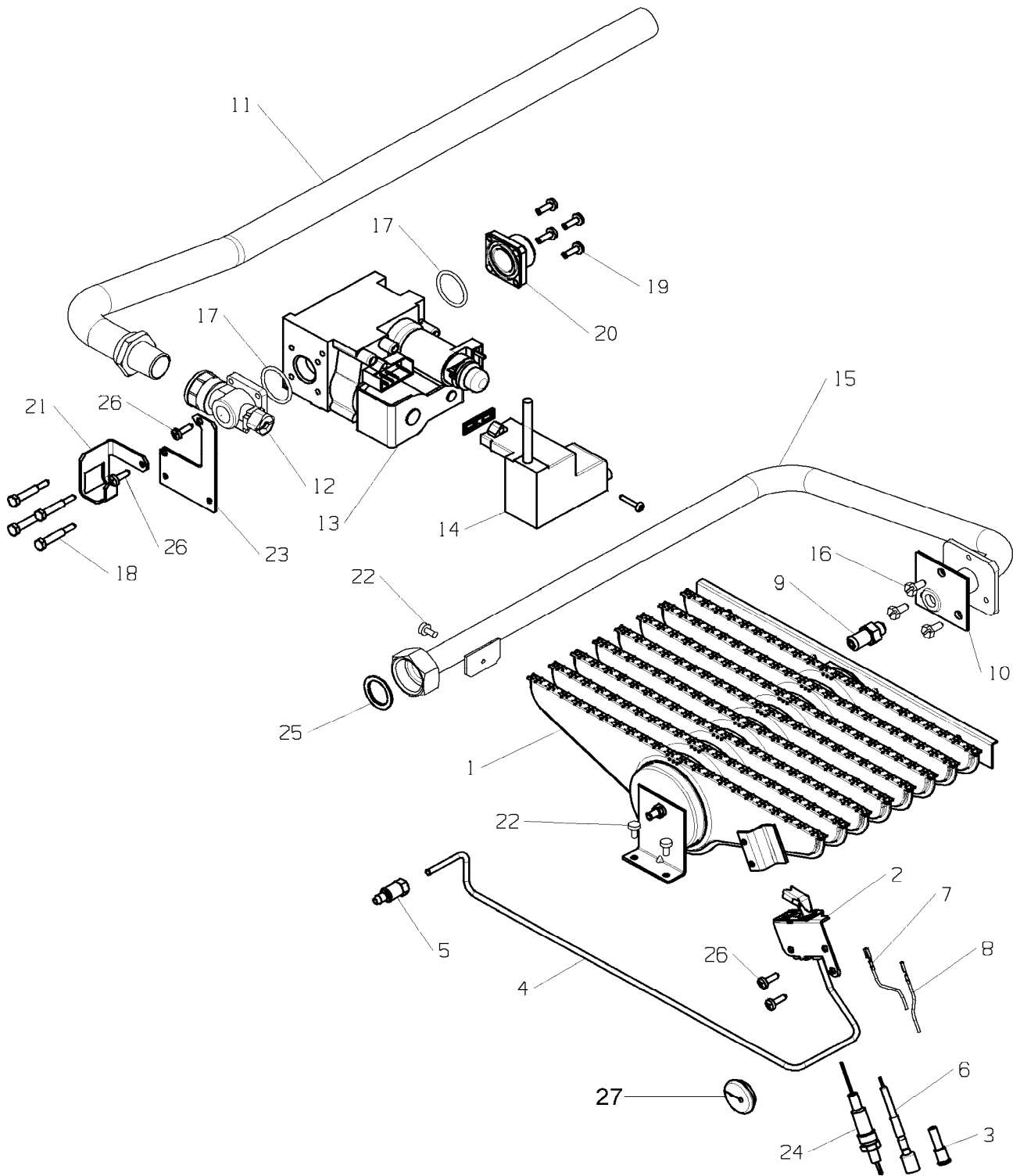
6720900022.AA

Heat exchanger
D

2

400 E FSN 400 E FSP

Spare parts list



6720900023.AA

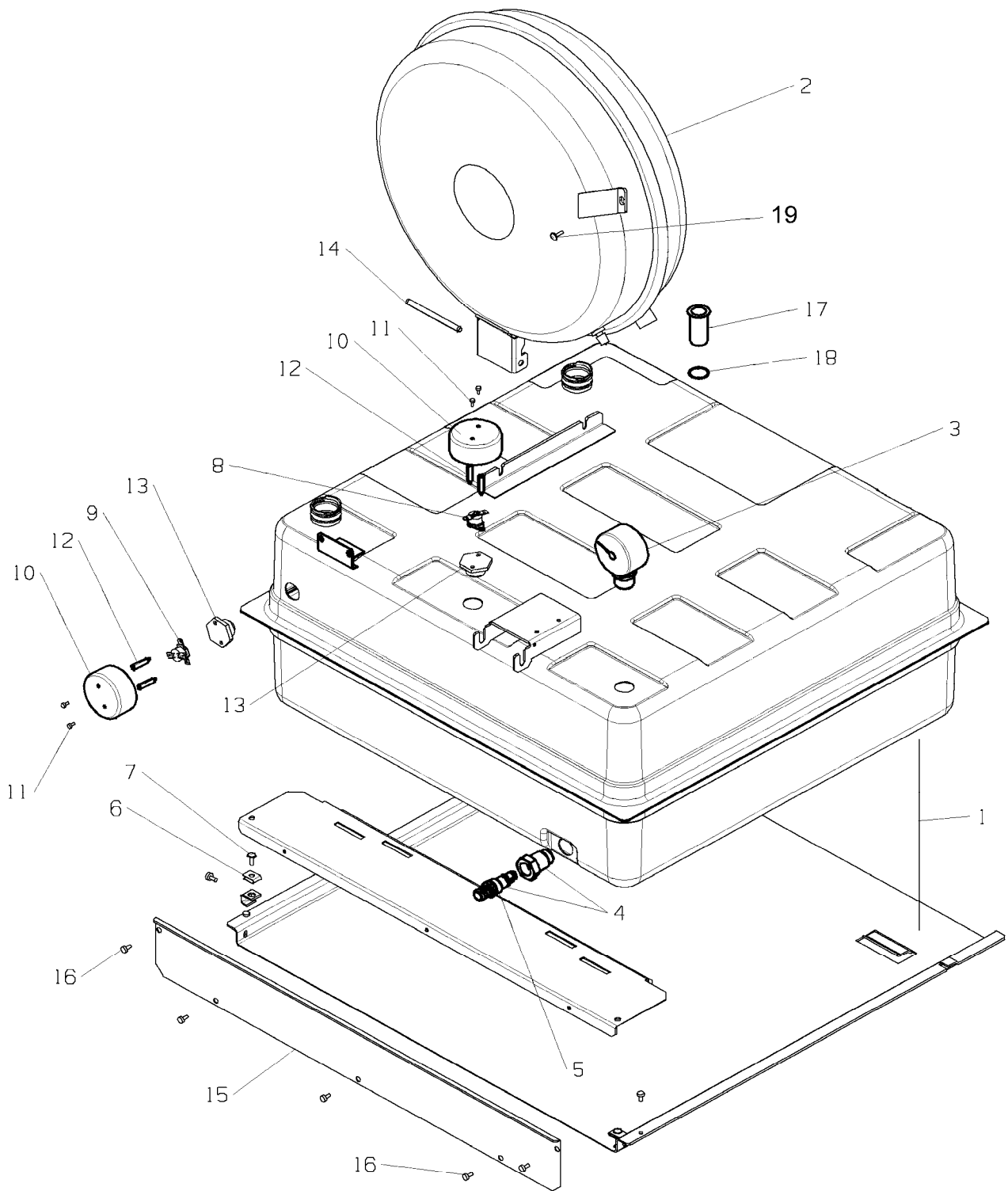
Gas valve / Burner
D

400 E FSN 400 E FSP

3

Pos	description	S-Nr	ordering no.	PG	gas type																		remarks
1	BURNER NG		8 716 105 990 0				■																
1	Burner aeromatic lpg		8 716 142 608 0					■															
2	Pilot burner		8 716 142 612 0				■	■															
3	Injector(pilot)lpg		8 716 148 153 0					■															
3	Injector(pilot)		8 716 156 300 0				■																
4	Pilot tube assembly		8 716 104 735 0				■																
4	Pilot feed tube assy		8 716 121 314 0					■															
5	M10 x 4mm shear off compression fitting		8 716 104 516 0				■	■															
6	Spark electrode		8 716 142 104 0				■	■															
7	Flame sense lead		8 716 104 554 0				■	■															
8	Spark electrode lead		8 716 142 138 0				■	■															
9	Main burner injector 4.4 dia.		8 716 156 337 0				■																
9	Injec. lpg 1/8 x120degx2.8di		8 716 156 338 0					■															
10	Gasket - burner manifold		8 716 140 910 0				■	■															
11	Gas line assembly		8 716 103 340 0				■	■															
12	Gas cock		8 716 102 981 0				■	■															
13	Gas valve		8 716 102 995 0				■	■															
14	Gas valve supply/ignitor		8 716 103 337 0				■	■															
15	Burner manifold assembly rsf		8 716 103 012 0				■	■															
16	Screw m5x10mm hex/slotted head		2 911 131 152 0	08			■	■															
17	O-Ring 2.62x22.23 id h-nitrile		8 716 140 827 0				■	■															
18	M4 extended screw 29mm long		8 716 155 046 0				■	■															
19	Screw M4 x 12 phillips (10x)		2 910 952 122 0	11			■	■															
20	G3/4" male flange		8 716 104 692 0				■	■															
21	Pipe - drain retaining bracket		8 716 103 224 0				■	■															
22	Screw m4x8mm taptite zc pl p/h		2 914 411 412 0	03			■	■															
23	Gas valve plate		8 716 104 734 0				■	■															
24	Flame sense electrode		8 716 104 511 0				■	■															
25	Fibre washer 23.9 X 17.2 X 1.5 (10x)		8 710 103 043 0	12			■	■															
25	Washer 23.9 x 17.2 x 1.5 (X1)		8 716 115 674 0				■	■															
26	Screw m4x8mm pozi zc pl p/h		2 912 451 118 0				■	■															
27	Pilot tube grommet		8 716 140 720 0				■	■															
	Spark return lead		8 716 104 553 0				■	■															
400 E FSN 400 E FSP			Gas valve / Burner D																			3	

Spare parts list



6720900026.AA

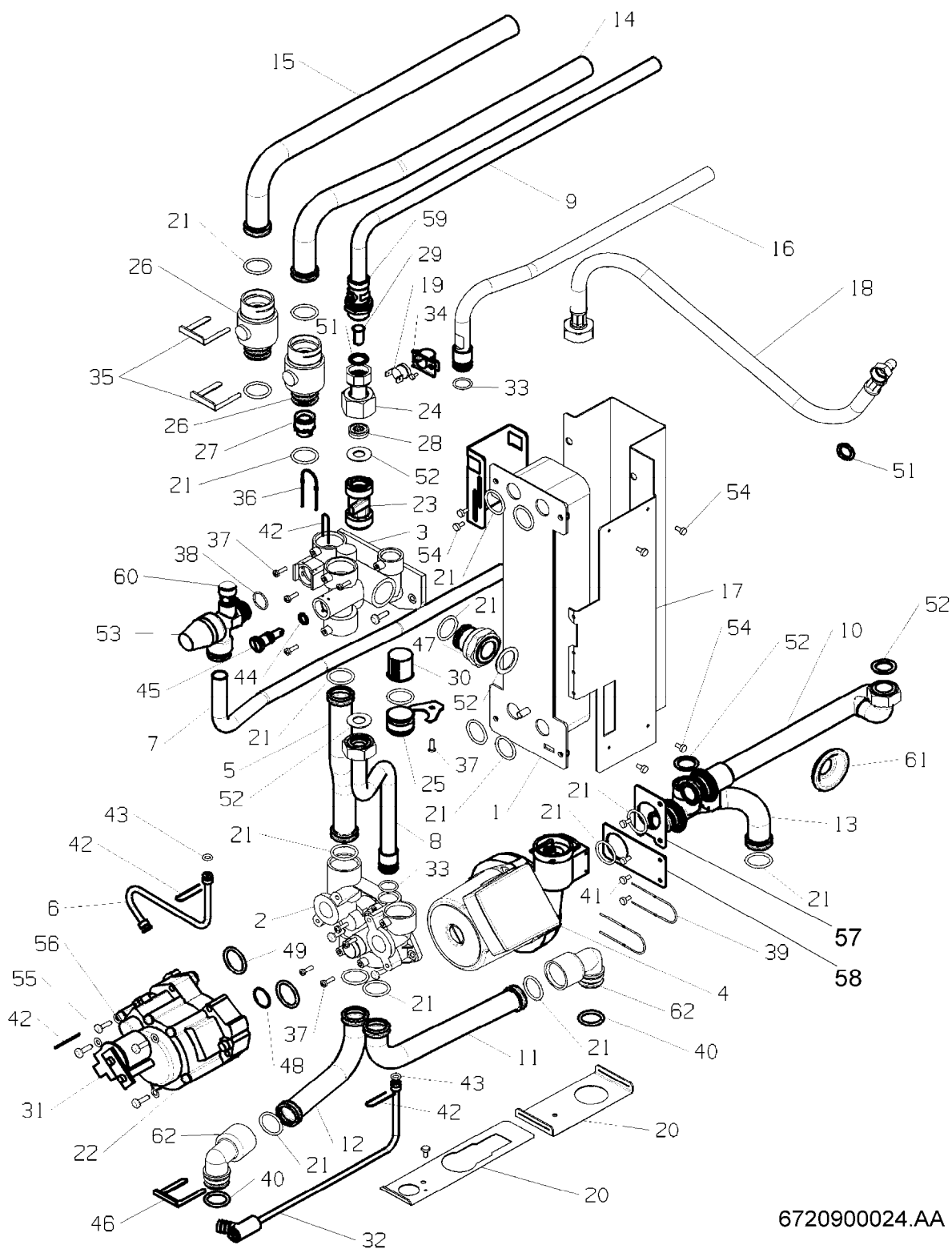
Tank / Expansion vessel
D

400 E FSN 400 E FSP

4

Pos	description	S-Nr	ordering no.	PG	gas type																remarks
1	Tank & base assembly		8 716 104 719 0			■	■														
2	Expansion vessel and Washers		8 716 142 507 0			■	■														
3	Pressure gauge - 50mm 4 bar		8 716 142 325 0			■	■														
4	Drain valve spares kit		7 716 192 223 0			■	■														
5	Drain valve		8 716 141 074 0			■	■														
6	Nut Captive No:8		8 716 148 204 0	16		■	■														
7	Screw m4x8mm taptite zc pl p/h		2 914 411 412 0	03		■	■														
8	Overheat thermostat - heat bank		8 716 103 217 0			■	■														
9	Flow thermostat		8 716 770 425 0	28		■	■														
10	Thermostat cover		8 716 102 987 0			■	■														
11	Screw m3x6mm zc pl p/h taptite		2 914 411 411 0	18		■	■														
12	Stud hex head 20mm		8 716 102 992 0			■	■														
13	Thermostat pocket		8 716 102 988 0			■	■														
14	Spring tension pin		8 716 148 344 0			■	■														
15	Lower front panel		8 716 100 585 0			■	■														
16	Screw m4x8mm taptite zc pl p/h		2 914 411 412 0	03		■	■														
17	Dip tube		8 716 100 967 0			■	■														
18	O-Ring 1.60 x 18.10 id epdm		8 716 140 812 0	13		■	■														
19	Screw iso no 6b x 9.5 recessed		2 912 421 210 0	07		■	■														
	Tank insulation jacket		8 716 103 417 0			■	■														
400 E FSN 400 E FSP		Tank / Expansion vessel																			4

Spare parts list



6720900024.AA

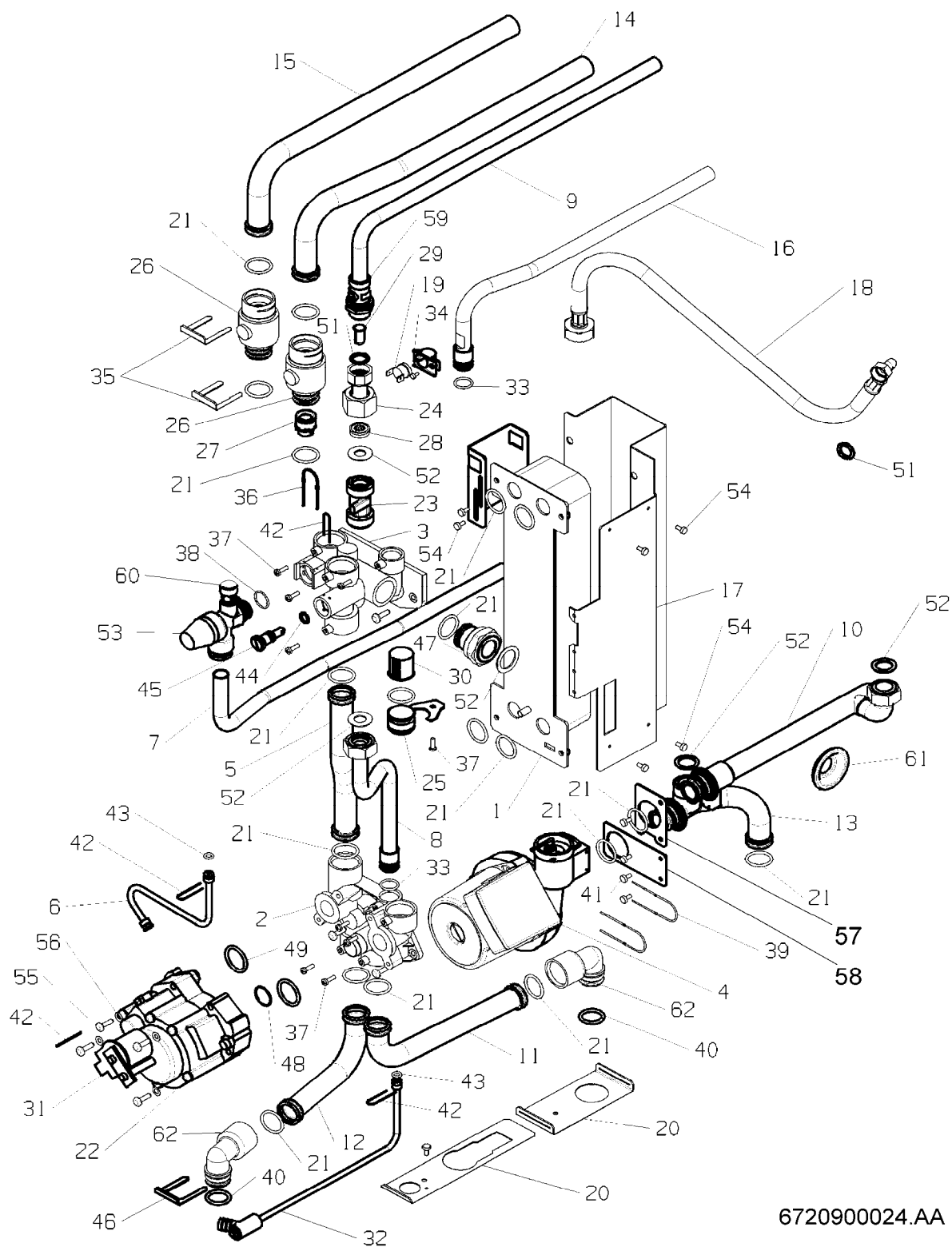
Pump / Hydraulic assy
D

400 E FSN 400 E FSP

5

Pos	description	S-Nr	ordering no.	PG	gas type																remarks
1	Swep heat exchanger e8-18 ecp		8 716 142 904 0																		
2	Bottom manifold		8 716 143 016 0																		
3	Top manifold		8 716 143 017 0																		
4	Standard 15/60 Pump Head		8 716 113 594 0																		
4	Pump & O-Rings		8 716 143 103 0																		
5	Pipe - central heat. ret.		8 716 100 690 0																		
6	Pipe - 6mm pressure relief assy		8 716 120 743 0																		
7	Pipe - pressure relief		8 716 103 011 0																		
8	Domestic inlet assembly 15mm		8 716 102 983 0																		
9	Pipe - domestic inlet		8 716 102 984 0																		
10	Pipe - ret heat ex. to pump assy		8 716 120 771 0																		
11	Pipe - tank return rsf		8 716 100 691 0																		
12	Pipe - w/w heat exch. return rsf		8 716 100 580 0																		
13	Pipe - ret div.man. to pump assy		8 716 121 077 0																		
14	Pipe - return rsf		8 716 100 687 0																		
15	Pipe - flow rsf		8 716 100 688 0																		
16	Pipe - domestic outlet assembly		8 716 103 009 0																		
17	Heat exchanger bracket assembly		8 716 102 964 0																		
18	Hose flexible		8 716 140 557 0																		
19	Ntc/thermister dhw		8 716 142 302 0	17																	
20	Keep plate locking plate		8 716 100 433 0																		
21	O-Ring 3.0 sec x 21.5 i/d e.p.		8 716 140 826 0																		
22	Diverter valve		8 716 104 569 0																		
23	Harness turbine flow switch assy		8 716 146 160 0																		
24	Adaptor assembly g1/2 to g3/4		8 716 102 993 0																		
25	Top manifold plug		8 716 103 259 0																		
26	22mm isolating valve-return		8 716 142 434 0																		
27	Non return valve		8 716 142 462 0																		
28	Flow reg. type a 18 l/m purple + sleeve		8 716 104 479 0																		
29	Gauze filter		8 716 148 401 0																		
30	Filter primary system		8 716 148 411 0																		
31	Solenoid		8 714 204 007 0	28																	
32	Drain tube assy		8 716 103 336 0																		
33	O-Ring 2.4 sec x 14.6 i/d e.p.		8 716 140 825 0																		
34	Clip - domestic h.w. thermistor		8 716 148 313 0																		
35	Clip - retaining		8 716 148 322 0																		
36	Wireform spring		8 716 148 310 0	17																	
37	Screw 4mm x 12 pt posi pan z/p		2 914 201 303 0																		
38	O-ring 16x2 (x1)		8 716 115 675 0																		
38	O-Ring 2.0 X 16.00 ID EP (10x)		8 716 140 814 0	15																	
39	Wireform spring		8 716 148 321 0	14																	
40	O-ring 16,64x3,53		8 716 140 831 0																		
41	Screw m4x8mm taptite zc pl p/h		2 914 411 412 0	03																	
42	Clip - small wire		8 716 148 323 0																		
43	O-ring 2.4x5.6 I/D EPDM		8 716 140 838 0	12																	
44	O-Ring 2.40 x 7.60 id nitrile		8 716 140 808 0	17																	
45	By-pass Screw		8 716 156 325 0																		
46	Clip - retaining		8 716 148 320 0																		
47	Top manifold tail		8 716 140 260 0																		
48	O-Ring 1.6 sec x 19.1 i/d e.p.		8 716 140 824 0																		
49	O-Ring 3.53 sec x 23.4 i/d e.p.		8 716 140 823 0																		
51	Washer 18.6 X 13.5 X 1.5 (10x)		8 710 103 045 0	11																	
400 E FSN 400 E FSP			Pump / Hydraulic assy D																	5	

Spare parts list



6720900024.AA

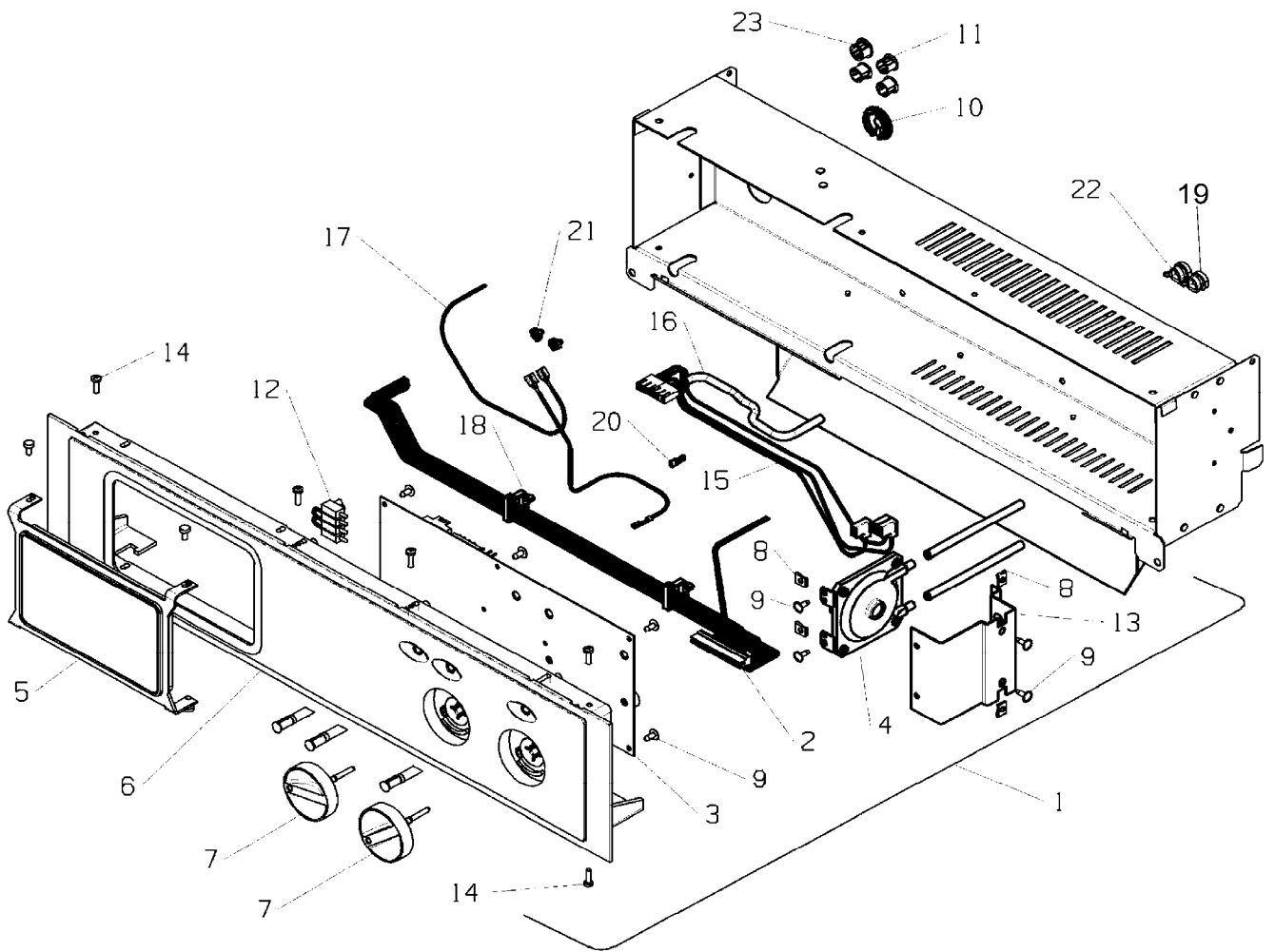
Pump / Hydraulic assy
D

400 E FSN 400 E FSP

5

Pos	description	S-Nr	ordering no.	PG	gas type	400 E FSN	400 E FSP												remarks
51	Washer 18.6 x 13.5 x 1.5 (1x)		8 716 115 680 0			■	■												
52	Fibre washer 23.9 X 17.2 X 1.5 (10x)		8 710 103 043 0	12		■	■												
52	Washer 23.9 x 17.2 x 1.5 (X1)		8 716 115 674 0			■	■												
53	Pressure relief valve - 314439		8 716 142 422 0			■	■												
54	Screw m4x8mm taptite zc pl p/h		2 914 411 412 0	03		■	■												
55	Screw m5 x 16mm pozi pan head		2 912 451 158 0			■	■												
56	Washer m5 flat		2 916 011 012 0			■	■												
57	Upper pump plate		8 716 100 684 0			■	■												
58	Lower pump plate		8 716 100 685 0			■	■												
59	Isolator valve 15mm		8 716 102 349 0			■	■												
60	Air vent manual 1/4 bsp		8 716 140 516 0	21		■	■												
61	Inner casing grommet		8 716 140 719 0			■	■												
62	push in elbow		8 716 148 026 0			■	■												
	Hydraulic assembly		8 716 102 963 0			■	■												
400 E FSN 400 E FSP			Pump / Hydraulic assy D														5		

Spare parts list



6720900025.AA

Electrical Box Assembly
D

400 E FSN 400 E FSP

6

Pos	description	S-Nr	ordering no.	PG	gas type																remarks
1	Electrical box & facia assembly		8 716 102 970 0					■	■												
2	Harness - main		8 716 103 229 0					■	■												
3	Control board		8 716 102 339 0					■	■												
4	Air pressure s/w c6065ah1038		8 716 142 409 0					■	■												
5	Facia plain insert plate		8 716 141 236 0					■	■												
6	Facia assembly		8 716 102 975 0					■	■												
7	Control knob graphics		8 716 102 472 0					■	■												
8	Nut spire sNu3374		8 716 155 022 0					■	■												
9	Screw iso no 6b x 9.5 recessed		2 912 421 210 0	07				■	■												
10	Bush harness strain relief		8 716 102 470 0					■	■												
11	Grommet nylon open-close		8 716 141 050 0	09				■	■												
12	Programmer link		8 716 104 656 0					■	■												
13	Bracket air pressure switch		8 716 104 480 0					■	■												
14	Screw m4x10mm taptite Scr zc pl p/h		2 914 411 408 0					■	■												
15	Harness air pressure switch		8 716 103 343 0					■	■												
16	Harness fan assembly		8 716 103 344 0					■	■												
17	Earth harness		8 716 103 346 0					■	■												
18	Cable twist lock		8 716 104 668 0					■	■												
19	Cord strain relief Bush		8 716 141 102 0	14				■	■												
20	PCB link		8 716 104 555 0					■	■												
21	Earth connector kit		8 716 101 795 0					■	■												
22	Bush cord strain relief sr5mn3		8 716 141 134 0					■	■												
23	Plug hole heyco dp500		8 716 141 103 0					■	■												
400 E FSN 400 E FSP			Electrical Box Assembly D												6						

**ADDITIONAL SPARE PARTS
FOR APPLIANCE
NOT DRAWN**

9099

6720900999.AA

Additional Spare Part
D

400 E FSN 400 E FSP

9

Pos	description	S-Nr	ordering no.	PG	gas type		400 E FSN	400 E FSP											remarks
	90 deg flue elbow-f106e90		7 716 191 013 0				■	■											
	45 deg flue elbow (pair)-f106e45		7 716 191 014 0				■	■											
	Vertical flue adaptor-f106a		7 716 191 025 0				■	■											
	Ext.flue kit-f106e1000		7 716 191 026 0				■	■											
	Vertical flue kit-f106v1100		7 716 191 030 0				■	■											
	Standard flue kit-f106h1000		7 716 191 031 0				■	■											
	400-rear flue kit-f106h500		7 716 191 050 0				■	■											
	Electronic timer-t230e7		7 716 192 007 0				■	■											
	Gasket/O-Ring pack		7 716 192 228 0				■	■											
	Flue balancing ring 72mm dia.		8 716 100 128 0				■	■											
	Flue balancing ring 77.0mm.		8 716 100 577 0				■	■											
	Flue balancing ring 75.0mm.		8 716 100 801 0				■	■											
	Hardware literature pack		8 716 103 347 0				■	■											
	H/flow 400 rsf elec serv & inst manual		8 716 104 464 0				■	■											
	H/flow 400 elec user manual		8 716 104 467 0				■	■											
	Open vent kit		8 716 120 701 0				■	■											
	Flue adaptor		8 716 120 744 0				■	■											
	Hf400 clip / Screw pack		8 716 120 925 0				■	■											
	External prog/timer instruct		8 716 145 114 0				■	■											
	Mini vessel adaptor		8 716 156 324 0				■	■											
400 E FSN 400 E FSP		Additional Spare Part D																	9

List of translations

Pos			
1			
2			
3			
4			
5			
6			
7			
8			
9			
10			
11			
12			
13			
14			
15			
16			
17			
18			
19			
20			
21			
22			
23			
24			
25			
26			
27			
28			
29			
30			
31			
33			
34			
35			
36			
2			
1			
2			
3			
4			
5			
6			
7			
8			
9			
3			
1			
2			
3			
4			
5			
6			
7			
8			
9			
Pos			

List of translations

10				
11				
12				
13				
14				
15				
16				
17				
18				
19				
20				
21				
22				
23				
24				
25				
26				
27				
4				
1				
2				
3				
4				
5				
6				
7				
8				
9				
10				
11				
12				
13				
14				
15				
16				
17				
18				
19				
5				
1				
2				
3				
4				
5				
6				
7				
8				
9				
10				
11				
12				
13				
14				
15				
16				
Pos				

List of translations

17				
18				
19				
20				
21				
22				
23				
24				
25				
26				
27				
28				
29				
30				
31				
32				
33				
34				
35				
36				
37				
38				
39				
40				
41				
42				
43				
44				
45				
46				
47				
48				
49				
51				
52				
53				
54				
55				
56				
57				
58				
59				
60				
61				
62				
6				
1				
2				
3				
4				
5				
6				
7				
8				
9				
10				
Pos				

