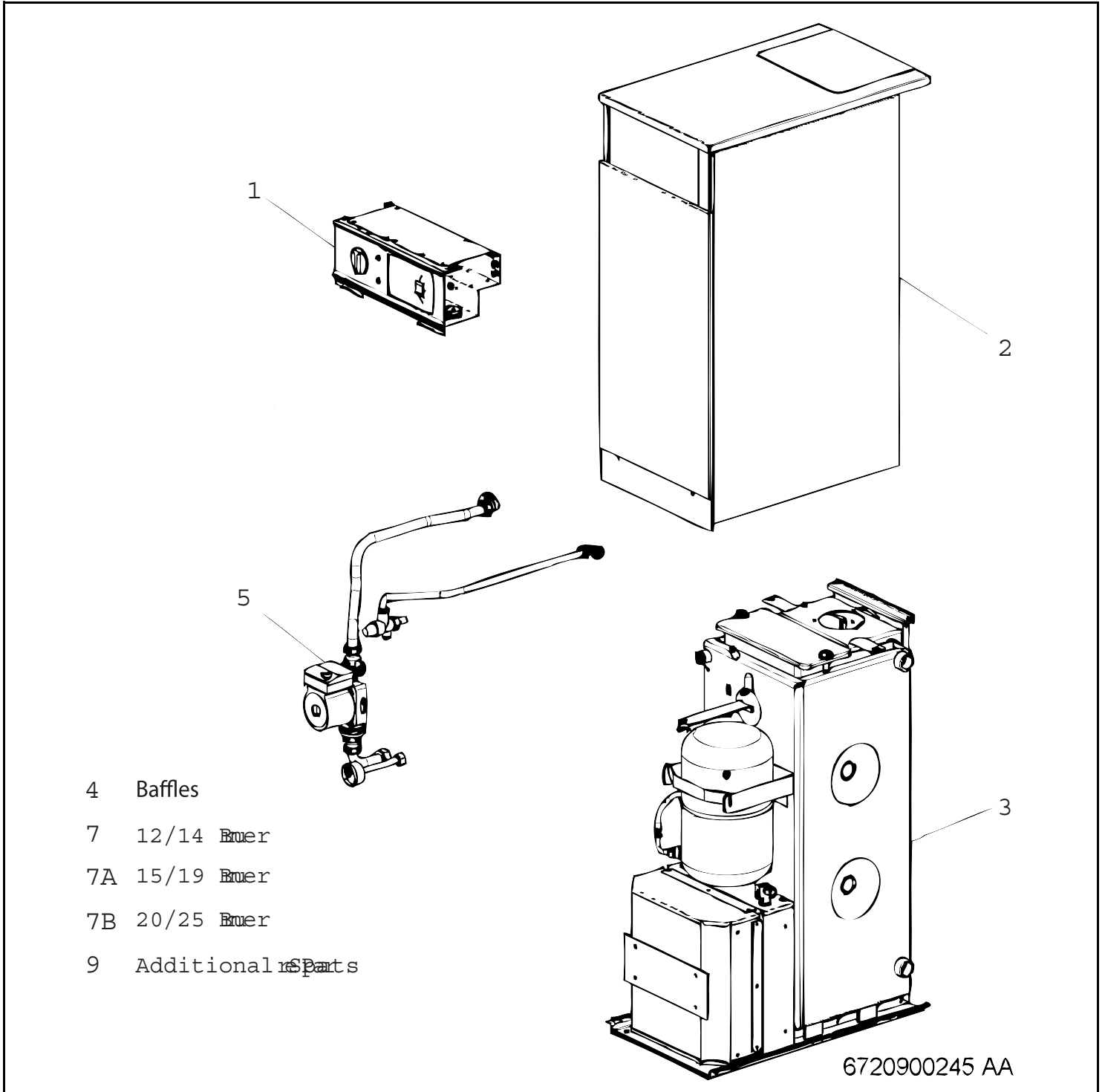
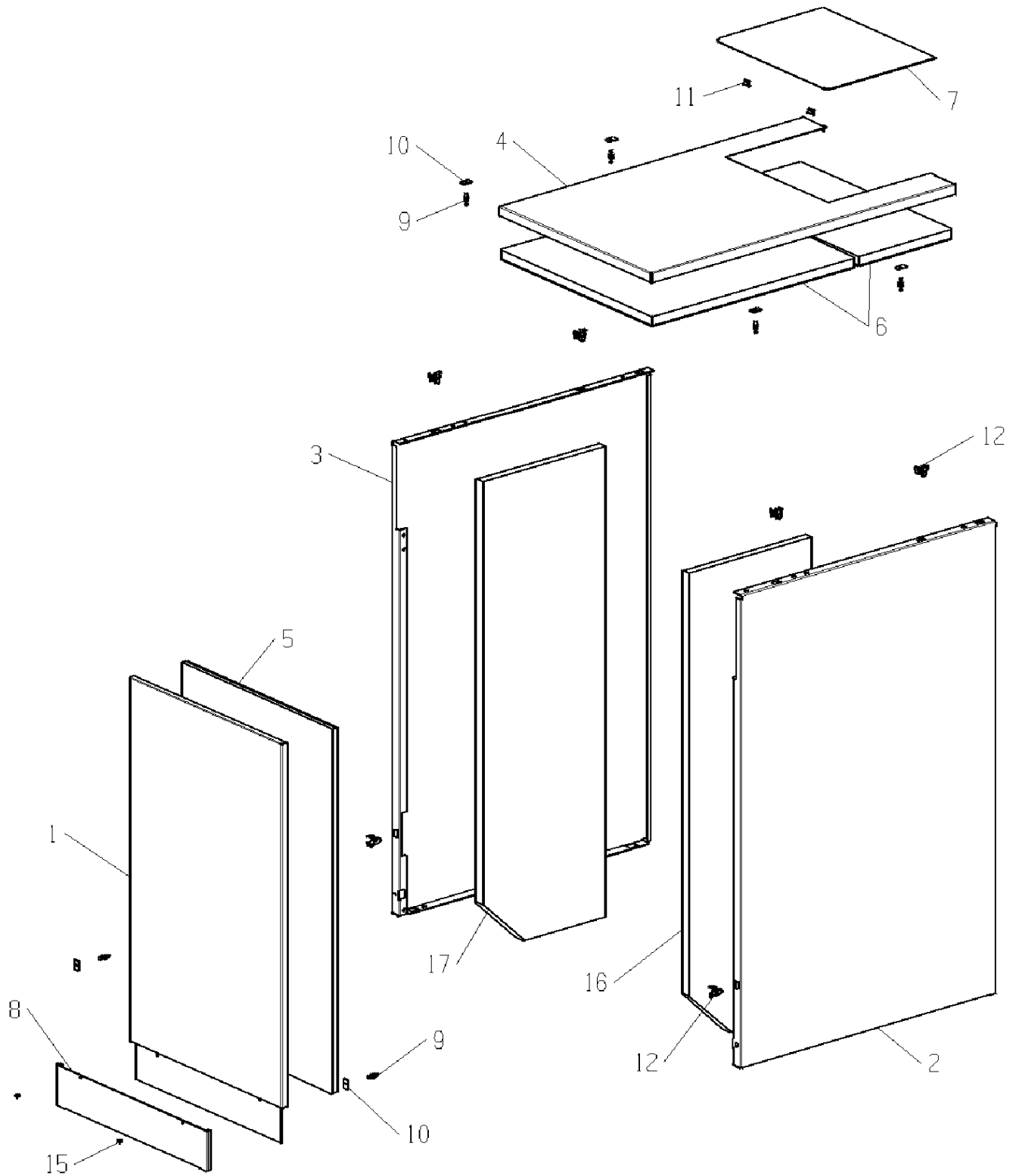


DANESMOOR 12/14-RSO-GB OIL SYS



Spare parts list



6720900246.AA

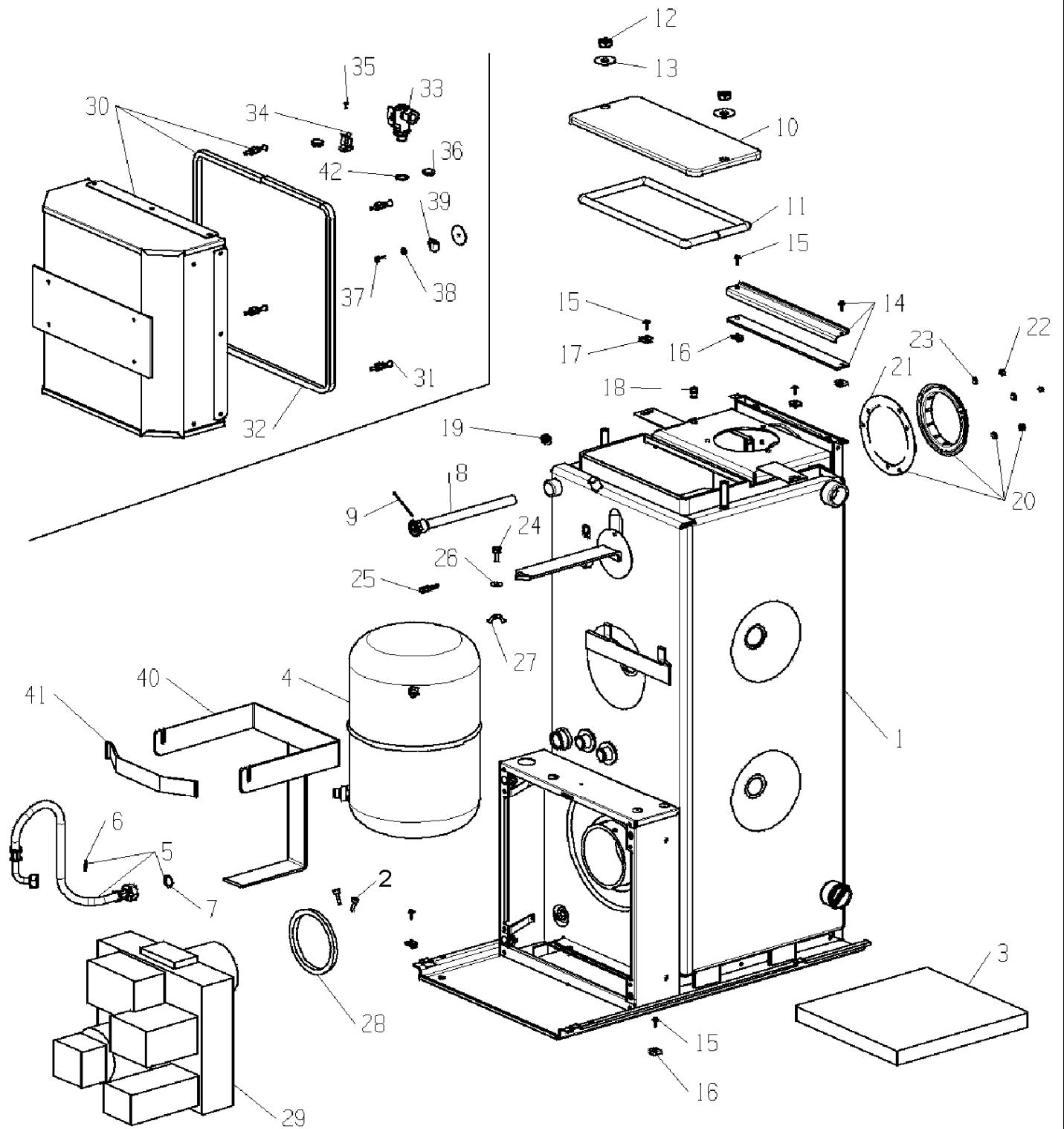
Casing
D

12/14-RSO

1

Pos	description	S-Nr	ordering no.	PG	gas type	12/14-RSO															remarks	
1	Cabinet front panel assembly		8 716 120 387 0			■																
2	Cabinet side panel assembly rh		8 716 120 258 0			■																
3	Cabinet side panel assembly lh		8 716 120 458 0			■																
4	Top panel assembly		8 716 120 719 0			■																
5	Front panel insulation		8 716 100 446 0			■																
6	Top panel insulation - set		8 716 101 120 0			■																
7	Top panel inset assy		8 716 120 088 0			■																
8	Kickstrip		8 716 100 208 0			■																
9	Stud 2ba brass ball new design		8 716 140 512 0	08		■																
10	Nut 2ba flat black m/s		8 716 155 002 0	05		■																
11	Clip - edge		8 716 148 336 0			■																
12	Clip - spring ref mfo319 soft (5 pack)		8 716 140 513 0	04		■																
15	Black nylon snap rivet		8 716 155 039 0			■																
16	Side panel insulation-rh		8 716 100 327 0			■																
17	Side panel insulation-lh		8 716 101 087 0			■																
12/14-RSO			Casing D																			1

Spare parts list



6720900247.AA

Heat exchanger
D

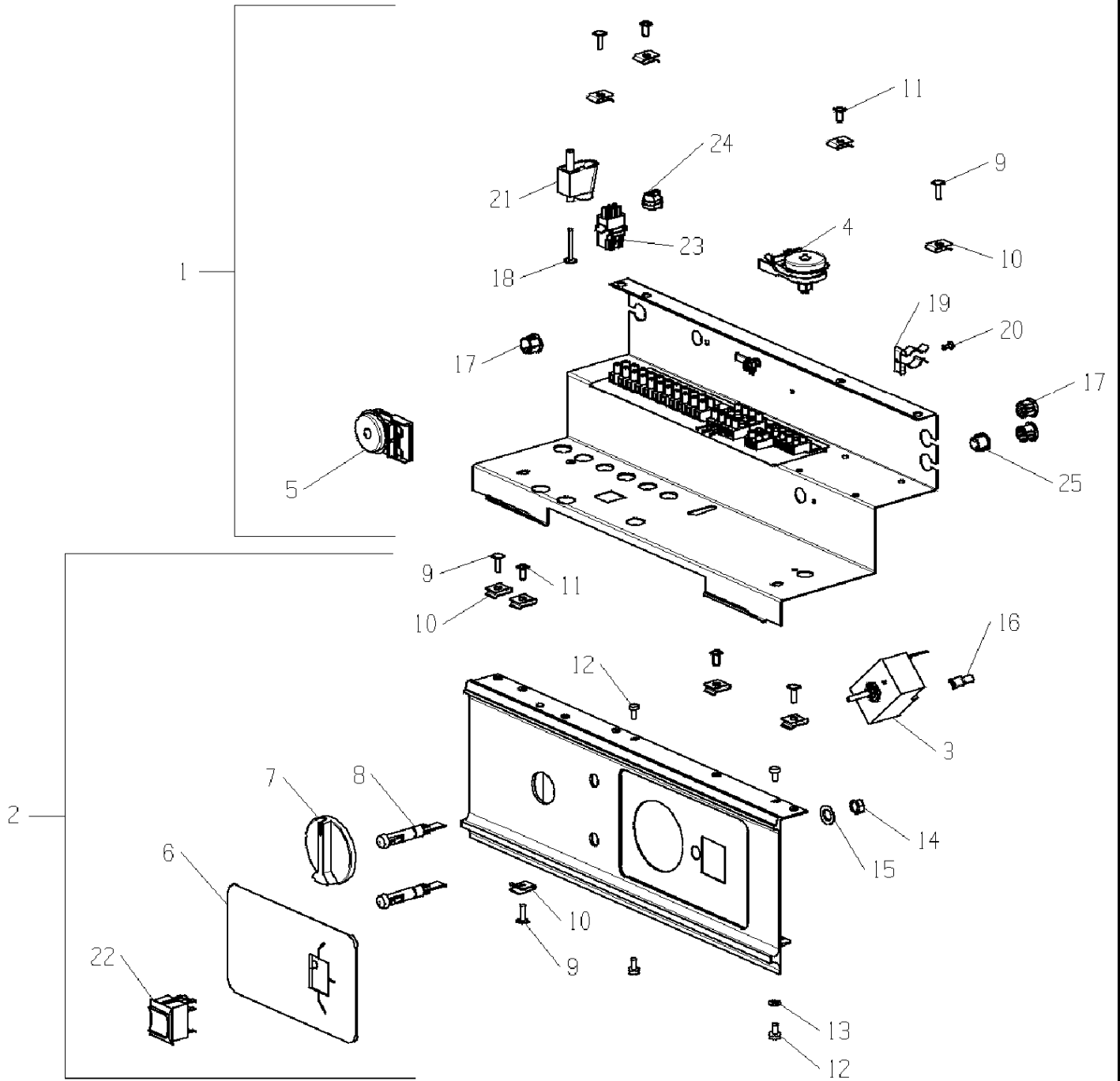
12/14-RSO

2

Pos	description	S-Nr	ordering no.	PG	gas type	12/14-RSO														remarks
1	Heat exchanger assembly rso12-14		8 716 121 404 0			■														
2	Screw m6 x 16mm skt hd cap Scr black		2 910 145 197 0			■														
3	Heat exchanger base insulation		8 716 142 243 0			■														
4	Expansion vessel 10l		8 716 142 504 0			■														
5	Flexible hose c/w Washers		8 716 140 507 0			■														
6	Washer fibre 15.0 x 10.0 x 1.0		8 716 140 921 0	12		■														
7	Washer 18.6 X 13.5 X 1.5 (10x)		8 710 103 045 0	11		■														
7	Washer 18.6 x 13.5 x 1.5 (1x)		8 716 115 680 0			■														
8	Thermostat pocket		8 716 105 360 0			■														
9	Steel split pin 45mm x 1.5mm		8 716 155 047 0			■														
10	Access lid assembly		8 716 120 261 0			■														
11	Rope-thermoseal type4 13mm dia		8 716 140 903 0			■														
12	Nut M10		2 915 011 010 0			■														
13	Washer M10		2 916 011 896 0			■														
14	End cover assembly		8 716 121 279 0			■														
15	Screw no.8x1/2 f/h type b self tap.		2 912 421 225 0	16		■														
16	Nut Captive No:8		8 716 148 204 0	16		■														
17	No 8 open captive nut - bronze		8 716 140 514 0			■														
18	Plug 1/8 Plain solid		8 716 140 117 0			■														
19	Air vent 1/8 bsp		8 716 140 238 0	12		■														
20	Clamping collar		8 716 100 589 0			■														
21	Gasket		8 716 140 736 0			■														
22	Nut M5 Full Hex Z/P M/S		2 915 011 006 0	10		■														
23	Washer m5 flat		2 916 011 012 0			■														
24	Screw 1/4 x 5/8 hex head set		8 716 140 508 0			■														
25	Thermoplastic rubber plug		8 716 140 511 0			■														
26	Washer 5/16" x 1.2mm thk		8 716 140 509 0			■														
27	Nut 1/4" wing chrome plated		8 716 140 510 0			■														
28	Gasket burner seal		8 716 140 902 0			■														
29	Burner b9a assembly		8 716 105 303 0			■														
30	Burner cover assembly		8 716 120 389 0			■														
31	M5 ball stud		8 716 155 050 0			■														
32	pvc/nitrile sponge strip		8 716 142 006 0			■														
33	Valve 1/4 bsp iso. bulk hea		8 716 142 423 0			■														
34	Clip - tool 1/2"		8 716 155 038 0			■														
35	Screw m3x6mm zc pl p/h taptite		2 914 411 411 0	18		■														
36	Washer 18.6 X 13.5 X 1.5 (10x)		8 710 103 045 0	11		■														
36	Washer 18.6 x 13.5 x 1.5 (1x)		8 716 115 680 0			■														
37	Screw m4 x 12mm taptite zc pl ph		2 914 411 404 0	02		■														
38	Washer m4 flat z/p m/s		2 916 011 010 0			■														
39	Clip - p-type 9.5mm holding diameter		8 716 141 186 0			■														
40	Expansion vessel support assy		8 716 120 262 0			■														
41	Retaining bar assembly		8 716 120 264 0			■														
42	Blind grommet ref 6093f Blk329		8 716 140 789 0			■														
	Insulation jacket rssl		8 716 142 254 0			■														

12/14-RSO		Heat exchanger D																		2
------------------	--	---------------------	--	--	--	--	--	--	--	--	--	--	--	--	--	--	--	--	--	----------

Spare parts list



6720900256.AA

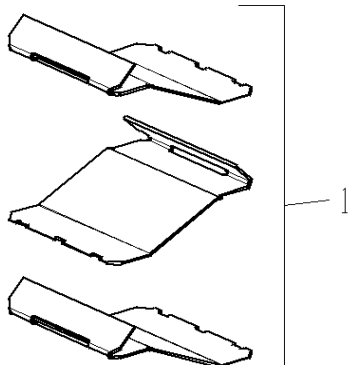
Electrical Box Assembly
D

12/14-RSO

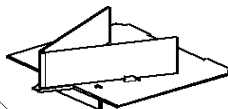
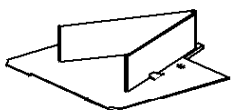
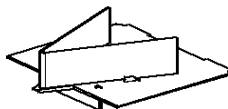
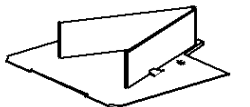
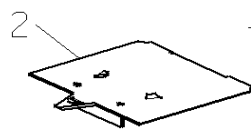
3

Pos	description	S-Nr	ordering no.	PG	gas type	12/14-RSO														remarks
1	Control box assembly		8 716 120 353 0			■														
2	Facia assembly 12/14		8 716 121 346 0			■														
3	Flow thermostat		8 716 142 309 0	45		■														
4	Thermostat manual reset 900mm capillary		8 716 142 392 0			■														
5	T/stat high limit I07-p1022		8 716 142 311 0			■														
6	Facia blanking plate kit		8 716 148 127 0			■														
7	Knob control green-grey		8 716 141 087 0			■														
8	Neon indicator red		8 716 146 000 0			■														
9	Screw no.8x1/2 f/h type b self tap.		2 912 421 225 0	16		■														
10	Nut Captive No:8		8 716 148 204 0	16		■														
11	Screw no.8 x 3/8" b pozi f/hd s/ta		2 912 421 224 0			■														
12	Screw m4x8mm taptite zc pl p/h		2 914 411 412 0	03		■														
13	Washer m4 flat z/p m/s		2 916 011 010 0			■														
14	Nut m6 full hex z/p m/s		2 915 011 007 0			■														
15	Washer 5/16" x 1.2mm thk		8 716 140 509 0			■														
17	Grommet nylon open-close		8 716 141 050 0	09		■														
18	Screw no.6x1" type b zp p/h st Sc		2 912 421 215 0			■														
19	Clip - tool 1/2"		8 716 155 038 0			■														
20	Screw m3x6mm zc pl p/h taptite		2 914 411 411 0	18		■														
21	Clamp cable type kb2 insuloid		8 716 141 101 0			■														
22	Switch arrow200400e839 aa 3pos		8 716 146 106 0			■														
23	Harness-recept. to indicators		8 716 120 210 0			■														
24	Cord strain relief Bush		8 716 141 102 0	14		■														
	Pipe - pressure relief		8 716 101 132 0			■														
	Harness 6 Way		8 716 105 271 0			■														
	Harness 3way switch		8 716 120 910 0			■														
	Post purge unit		8 716 146 308 0			■														
12/14-RSO			Electrical Box Assembly D																3	

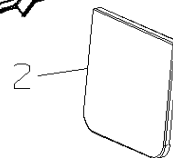
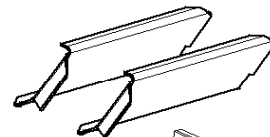
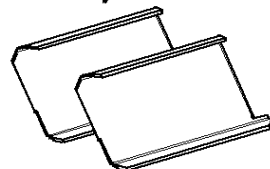
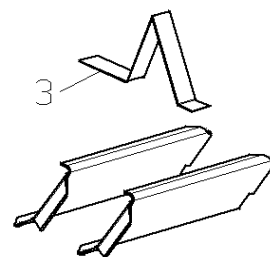
Spare parts list



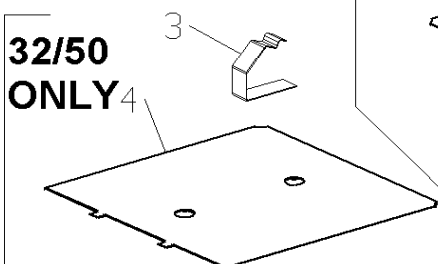
12/14



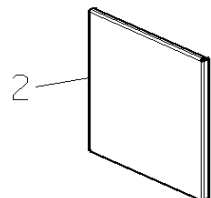
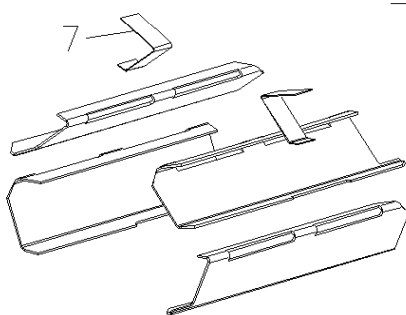
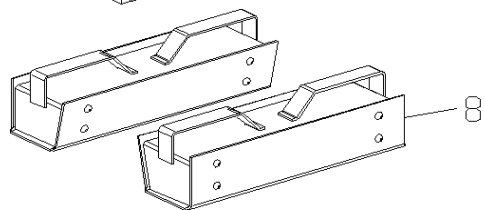
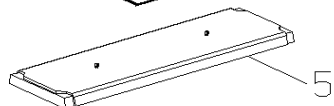
15/19



20/25

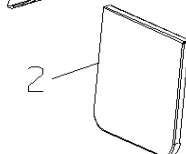
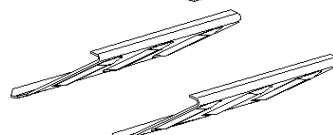
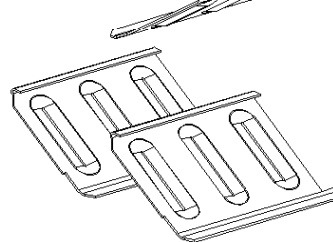
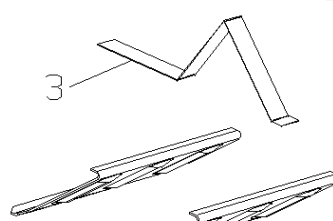


32/50 ONLY



32/50
50/70

26/32



6720900217.AA

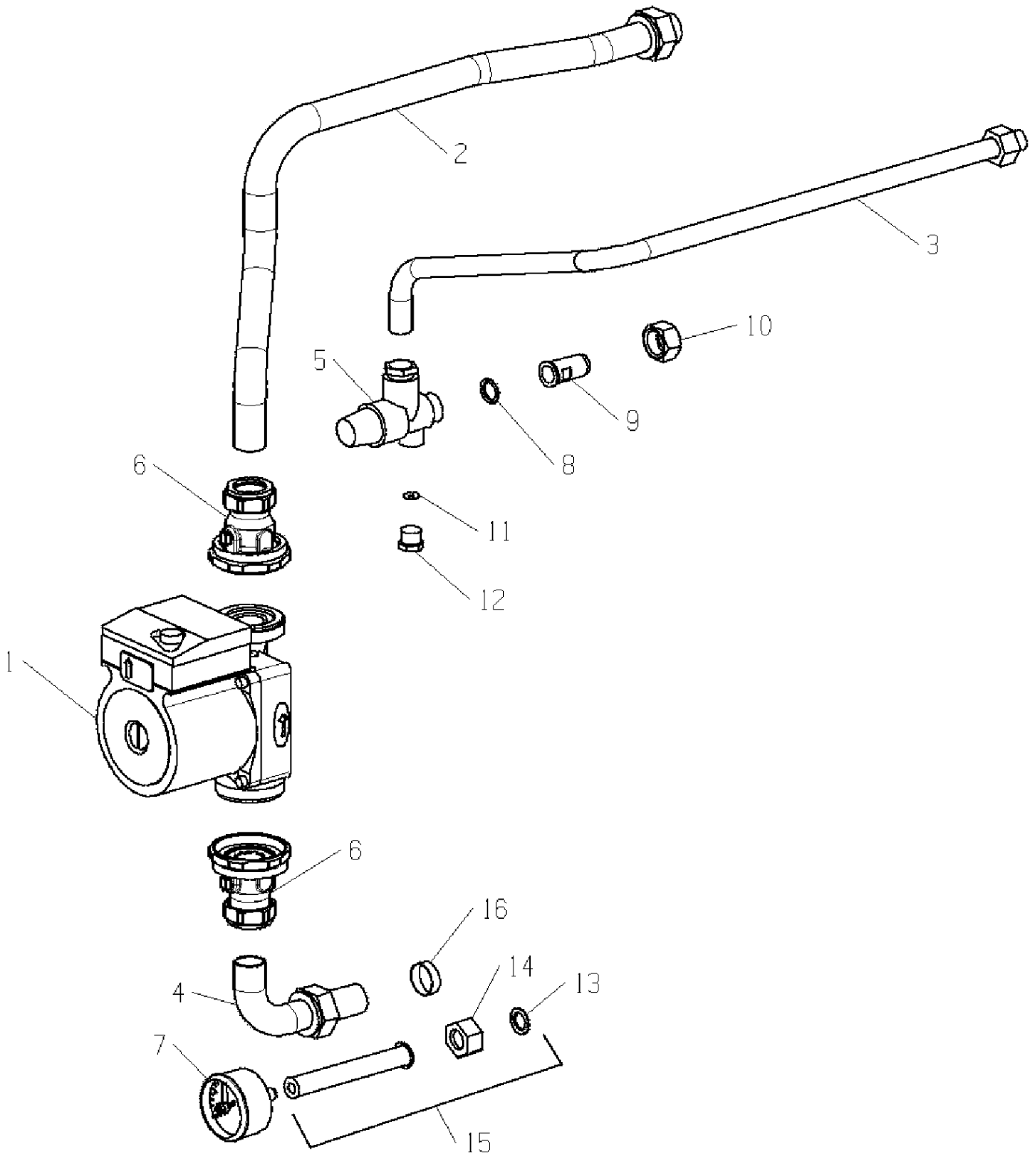
Baffle
D

4

12/14-RSO

Pos	description	S-Nr	ordering no.	PG	gas type	12/14-RSO															remarks	
1	Baffle set 12-14 (3 piece)		8 716 121 355 0			■																
12/14-RSO			Baffle D																	4		

Spare parts list



6720900248.AA

Pump/Hydraulic valve
D

12/14-RSO

5

Pos	description	S-Nr	ordering no.	PG	gas type	12/14-RSO															remarks
1	Standard 15/60 Pump Head		8 716 113 594 0			■															
1	Pump UPS 15-60 12 OCL(50526639)		8 716 143 105 0	50		■															
2	Pipe - central heating flow		8 716 100 292 0			■															
3	Pipe - pressure relief		8 716 100 568 0			■															
4	Pipe - heat exchanger to pump		8 716 100 171 0			■															
5	Valve pr.rel.1/2 x15mmx1/8		8 716 142 416 0	37		■															
6	Valve 22mm x 1-1/2		8 716 142 417 0			■															
7	Gauge pres.50mmx1/8back 4bar		8 716 142 358 0			■															
8	Washer 15mm (thick)		8 716 140 917 0			■															
9	G 3/8 tail		8 716 140 233 0			■															
10	Nut g1/2		8 716 140 236 0			■															
11	Washer		8 716 140 912 0	02		■															
12	Brass blanking plug		8 716 140 261 0			■															
13	Washer 18.6 X 13.5 X 1.5 (10x)		8 710 103 045 0	11		■															
13	Washer 18.6 x 13.5 x 1.5 (1x)		8 716 115 680 0			■															
14	Nut cap 15mm		8 716 140 284 0			■															
15	Pressure gauge fitting		8 716 140 214 0			■															
16	Ring-compression 22mm		8 716 140 296 0			■															
12/14-RSO			Pump/Hydraulic valve D													5					

Drawing not
currently
available

12/14-B9A drawing
D

7

12/14-RSO

Pos	description	S-Nr	ordering no.	PG	gas type																remarks
	Burner b9a assembly		8 716 105 303 0																		
	Nipple 1/4" coNical x 1/4" coNical		8 716 140 554 0																		
	Photocell & flange - satronic mz770		8 716 142 735 0																		
	Pump bfp1113 oil (left hand)		8 716 142 736 0																		
	Coil solenoid valve bfp2113		8 716 142 737 0	51																	
	Ignition electrode 11593701		8 716 142 752 0																		
	Electrode holder		8 716 142 753 0																		
	Cable transformer supply-(danfoss ebi)		8 716 142 761 0																		
	Washer copper 1/4"		8 716 142 769 0																		
	Pump nipple 0.25		8 716 142 770 0																		
	Pump armature for danfoss bfp		8 716 142 778 0																		
	Relay base satronic tf 830 b		8 716 142 782 0																		
	Pipe - oil Pipe - bfp41 pump to b9		8 716 142 785 0																		
	Lead for bfp1113 oil pump		8 716 146 620 0																		
	Impellor for b9 burner 12/14 - 15/19		8 716 156 501 0																		
	Blast tube b9a - pl6/7/19/10 x 80mm		8 716 156 502 0																		
	Coil solenoid assy sunstrand		8 716 156 541 0																		
	AEG (fhp) 70w motor for b9 burner		8 716 156 597 0																		
	Drive coupling for aeg(fhp) 70w motor-b9		8 716 156 602 0																		
	Control box satronic s01 TF832.3		8 716 156 648 0																		
	Nozzle holder check valve danfoss		8 716 156 658 0																		
	Flexible oil line		8 716 156 663 0																		
	3 uf capacitor for aeg motor [+/-5%]		8 716 156 665 0																		
	Nozzle danfoss 0.50 60 deg es		8 716 156 673 0																		
	Nozzle danfoss 0.40 60 deg es		8 716 156 679 0																		
	Satronic mz770s photocell lead only		8 716 156 691 0																		
	Satronic mz770s photcell c/w flange&lead		8 716 156 692 0																		
	Transformer-danfoss ebi 052f0030		8 716 156 696 0																		
	Blast tube pl6/7/21.5/10 x 80mm		8 716 156 697 0																		
	Rear cover plate grommet		8 716 157 011 0																		
	Motor cable - aeg(fhp)		8 716 157 012 0																		
	Pump suntec as47c		8 716 157 014 0																		
	Pipe - two conversion Screw - danfoss		8 716 157 015 0																		
	Pipe - two conversion Screw - suntec as4		8 716 157 016 0																		
	Air distributor collar - b9		8 716 157 022 0																		
	Electrode leads with grommet (pair)		8 716 157 023 0																		
	Nozzle holder		8 716 157 024 0																		
	Rear cover plate for nozzle holder - b9		8 716 157 025 0																		
	Burner main body - frame - b9		8 716 157 026 0																		
	Front cover - Frame - b9		8 716 157 027 0																		
	Fan cover plate - b9		8 716 157 028 0																		
	Air intake housing - b9		8 716 157 029 0																		
	Control box base-satronic		8 716 157 042 0																		
12/14-RSO			12/14-B9A drawing D																		

**ADDITIONAL SPARE PARTS
FOR APPLIANCE
NOT DRAWN**

9099

6720900999.AA

Additional Spare Part
D

12/14-RSO

9

Pos	description	S-Nr	ordering no.	PG	gas type	12/14-RSO													remarks
	flue blanking plate kit		8 716 101 107 0			■													
	Literature Pack - D/moor 12-25/RSO		8 716 104 495 0			■													
	Flue blanking plate		8 716 120 641 0			■													
12/14-RSO		Additional Spare Part D																9	

List of translations

Pos				
1				
2				
3				
4				
5				
6				
7				
8				
9				
10				
11				
12				
15				
16				
17				
2				
1				
2				
3				
4				
5				
6				
7				
8				
9				
10				
11				
12				
13				
14				
15				
16				
17				
18				
19				
20				
21				
22				
23				
24				
25				
26				
27				
28				
29				
30				
31				
32				
33				
34				
35				
36				
37				
38				
39				
40				
Pos				

List of translations

41				
42				
3				
1				
2				
3				
4				
5				
6				
7				
8				
9				
10				
11				
12				
13				
14				
15				
17				
18				
19				
20				
21				
22				
23				
24				
4				
1				
5				
2				
3				
4				
5				
6				
7				
8				
9				
10				
11				
12				
13				
14				
15				
16				
7				
Pos				
9				

Types of appliances

Appliance	ordering no.	Country remarks
DANESMOOR 12/14-RSO-GB OIL SYS	7 716 100 072	United Kingdom

