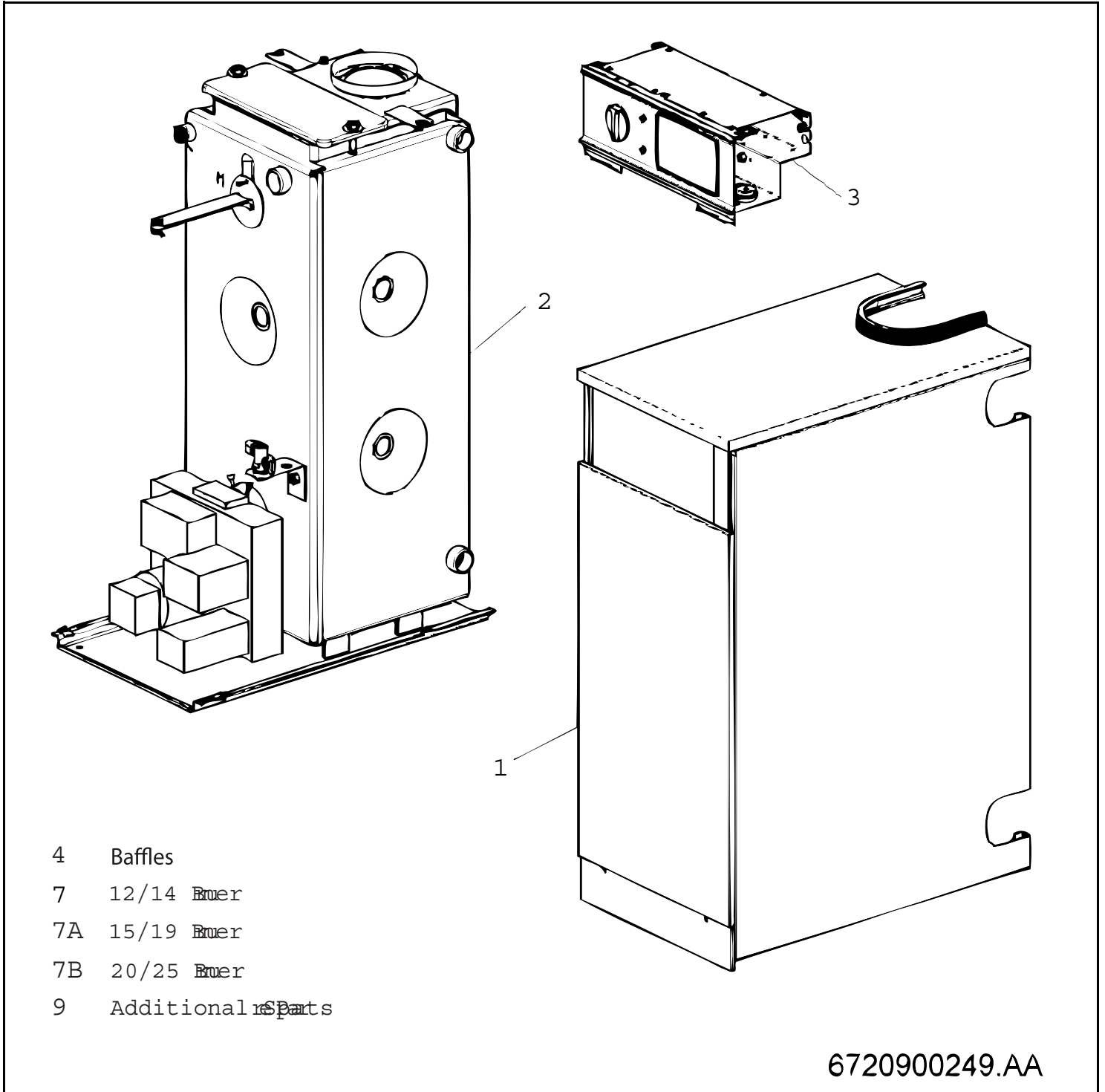
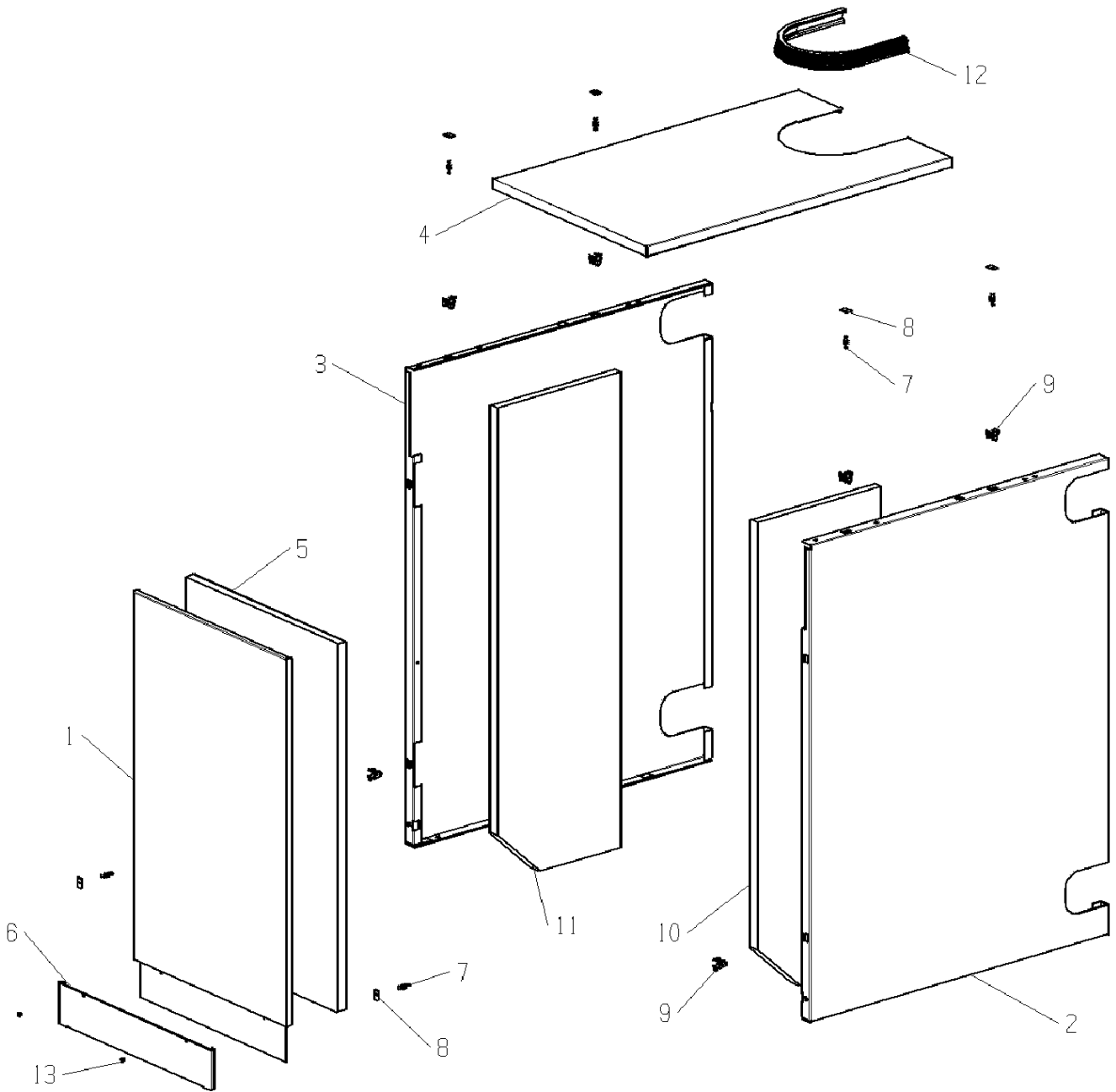


DANESMOOR 12/14-000-GB OIL BO



Spare parts list



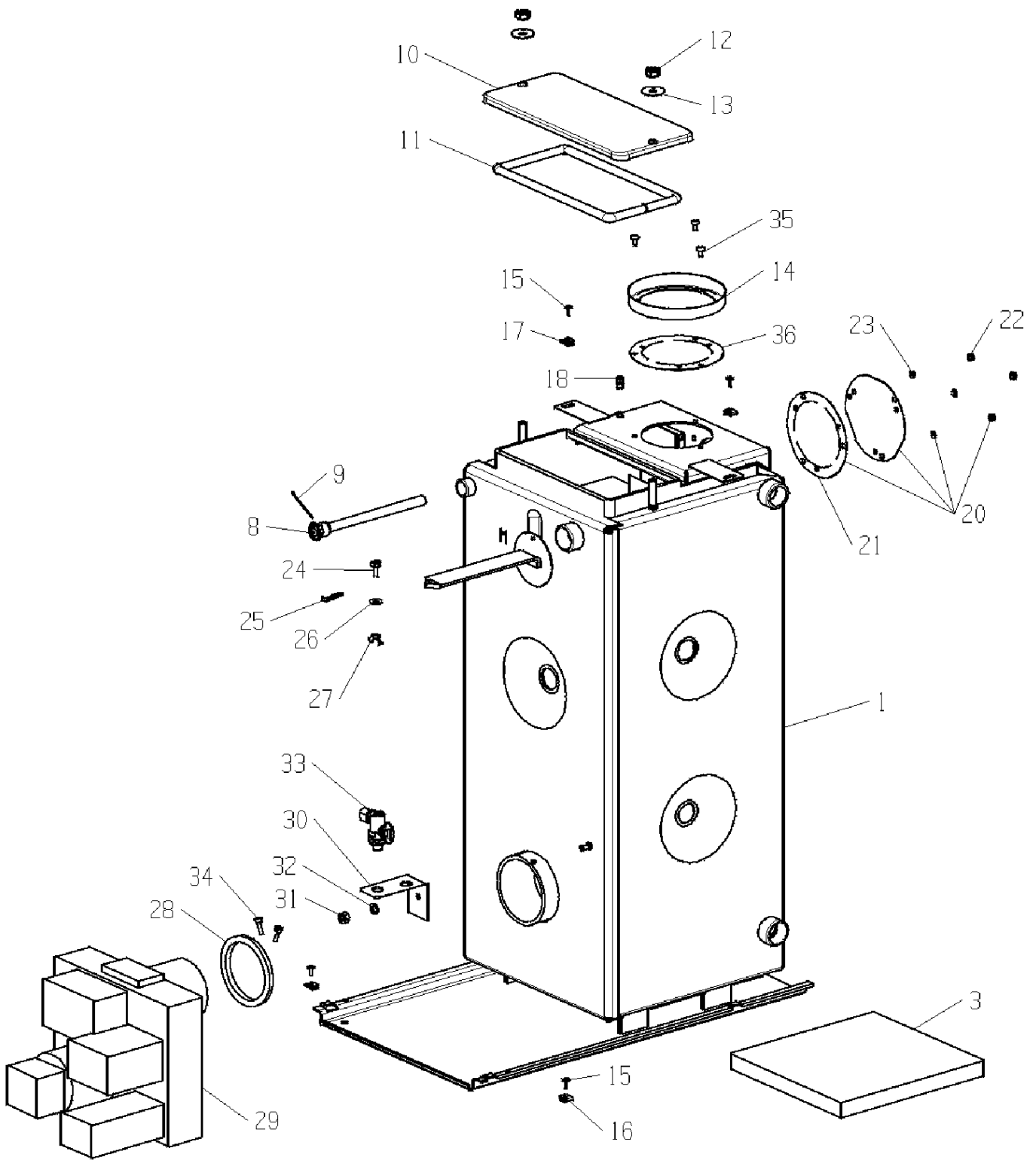
6720900250.AA

Casing
D

1

D'moor 12/14

Spare parts list



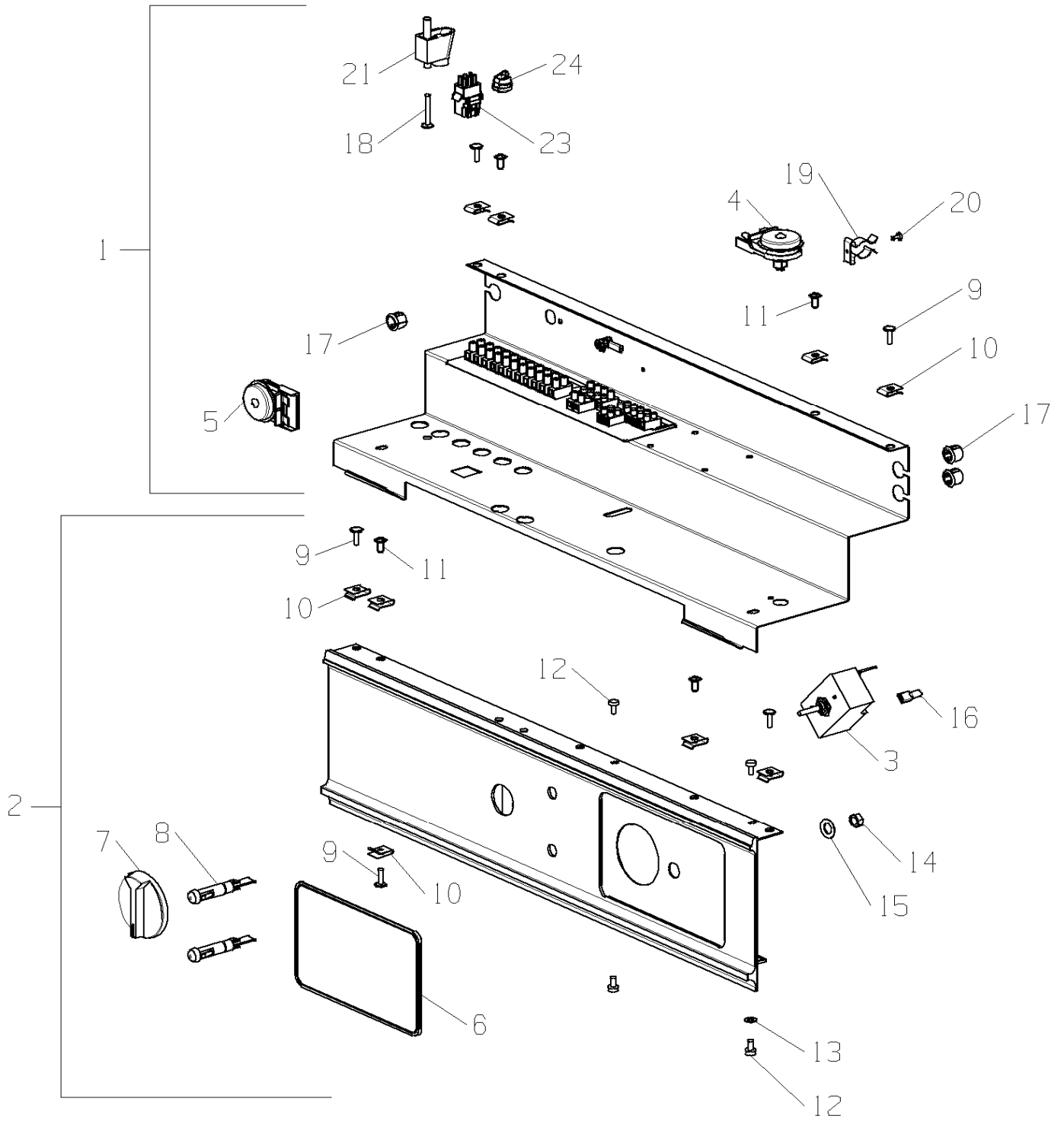
6720900251.AA

Heat exchanger
D

D'moor 12/14

2

Spare parts list



6720900216.AA

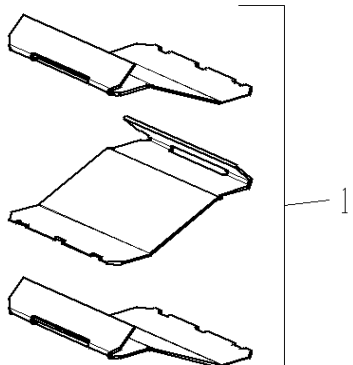
Electrical Box Assembly
D

D'moor 12/14

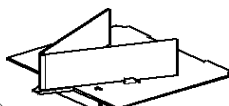
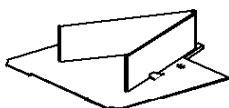
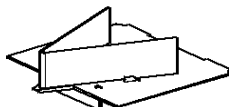
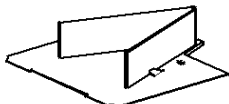
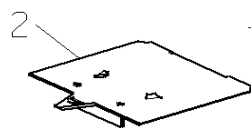
3

Pos	description	S-Nr	ordering no.	PG	gas type	D'moor 12/14															remarks
1	Control box assembly		8 716 121 432 0			■															
2	Facia assembly slpj 12/14		8 716 121 437 0			■															
3	Flow thermostat		8 716 142 309 0	45		■															
4	Thermostat manual reset 900mm capillary		8 716 142 392 0			■															
5	T/stat high limit I07-p1022		8 716 142 311 0			■															
6	Facia pj blanking plate		8 716 148 124 0			■															
7	Knob control green-grey		8 716 141 087 0			■															
8	Neon indicator red		8 716 146 000 0			■															
9	Screw no.8x1/2 f/h type b self tap.		2 912 421 225 0	16		■															
10	Nut Captive No:8		8 716 148 204 0	16		■															
11	Screw no.8 x 3/8" b pozi f/hd s/ta		2 912 421 224 0			■															
12	Screw m4x8mm taptite zc pl p/h		2 914 411 412 0	03		■															
13	Washer m4 flat z/p m/s		2 916 011 010 0			■															
14	Nut m6 full hex z/p m/s		2 915 011 007 0			■															
15	Washer 5/16" x 1.2mm thk		8 716 140 509 0			■															
17	Grommet nylon open-close		8 716 141 050 0	09		■															
18	Screw no.6x1" type b zp p/h st Sc		2 912 421 215 0			■															
19	Clip - tool 1/2"		8 716 155 038 0			■															
20	Screw m3x6mm zc pl p/h taptite		2 914 411 411 0	18		■															
21	Clamp cable type kb2 insuloid		8 716 141 101 0			■															
23	Harness-recept. to indicators		8 716 120 210 0			■															
24	Cord strain relief Bush		8 716 141 102 0	14		■															
	Harness 6 Way		8 716 105 271 0			■															
	Post purge unit		8 716 146 308 0			■															
D'moor 12/14			Electrical Box Assembly D													3					

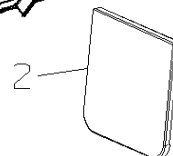
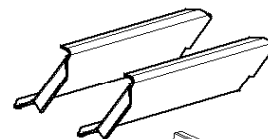
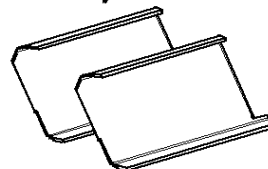
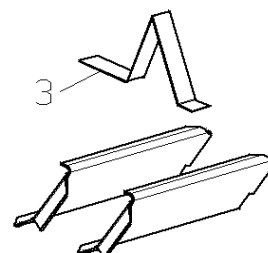
Spare parts list



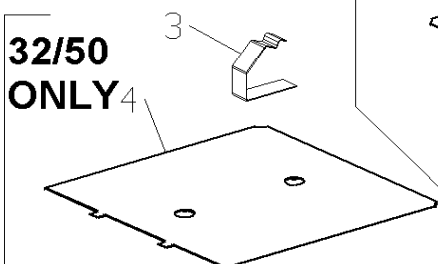
12/14



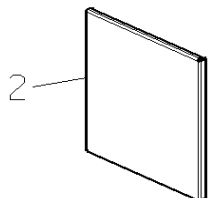
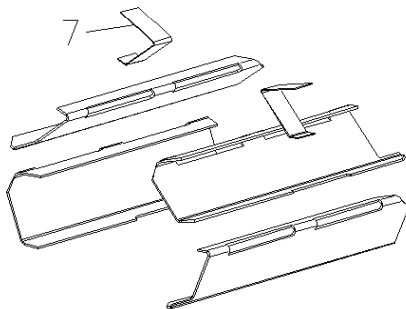
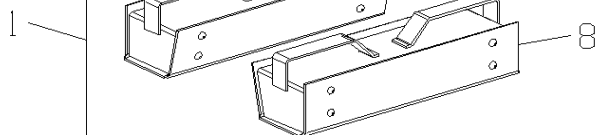
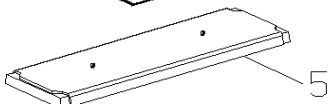
15/19



20/25

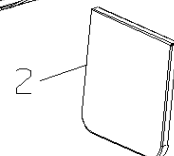
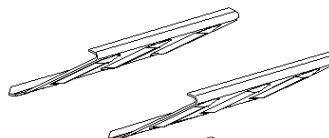
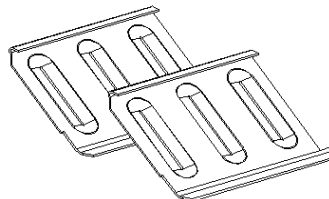
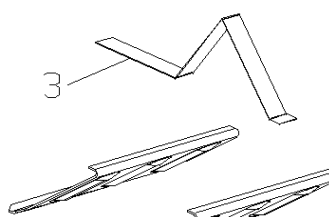


32/50 ONLY



32/50
50/70

26/32



6720900217.AA

Baffle
D

4

D'moor 12/14

Pos	description	S-Nr	ordering no.	PG	gas type	D'moor 12/14													remarks
1	Baffle set 12-14 (3 piece)		8 716 121 355 0			■													
	12/19rear flue blanking kit		7 716 192 122 0			■													
	Flue blanking plate		8 716 120 641 0			■													
D'moor 12/14			Baffle D															4	

Drawing not
currently
available

Pos	description	S-Nr	ordering no.	PG	gas type	D'moor 12/14														remarks
	Burner b9a assembly		8 716 105 303 0			■														
	Nipple 1/4" coNical x 1/4" coNical		8 716 140 554 0			■														
	Photocell & flange - satronic mz770		8 716 142 735 0			■														
	Pump bfp1113 oil (left hand)		8 716 142 736 0			■														
	Coil solenoid valve bfp2113		8 716 142 737 0	51		■														
	Ignition electrode 11593701		8 716 142 752 0			■														
	Electrode holder		8 716 142 753 0			■														
	Cable transformer supply-(danfoss ebi)		8 716 142 761 0			■														
	Washer copper 1/4"		8 716 142 769 0			■														
	Pump nipple 0.25		8 716 142 770 0			■														
	Pump armature for danfoss bfp		8 716 142 778 0			■														
	Relay base satronic tf 830 b		8 716 142 782 0			■														
	Pipe - oil Pipe - bfp41 pump to b9		8 716 142 785 0			■														
	Lead for bfp1113 oil pump		8 716 146 620 0			■														
	Impellor for b9 burner 12/14 - 15/19		8 716 156 501 0			■														
	Blast tube b9a - pl6/7/19/10 x 80mm		8 716 156 502 0			■														
	Coil solenoid assy sunstrand		8 716 156 541 0			■														
	AEG (fhp) 70w motor for b9 burner		8 716 156 597 0			■														
	Drive coupling for aeg(fhp) 70w motor-b9		8 716 156 602 0			■														
	Control box satronic s01 TF832.3		8 716 156 648 0			■														
	Nozzle holder check valve danfoss		8 716 156 658 0			■														
	Flexible oil line		8 716 156 663 0			■														
	3 uf capacitor for aeg motor [+-5%]		8 716 156 665 0			■														
	Nozzle danfoss 0.50 60 deg es		8 716 156 673 0			■														
	Nozzle danfoss 0.40 60 deg es		8 716 156 679 0			■														
	Satronic mz770s photocell lead only		8 716 156 691 0			■														
	Satronic mz770s photcell c/w flange&lead		8 716 156 692 0			■														
	Transformer-danfoss ebi 052f0030		8 716 156 696 0			■														
	Blast tube pl6/7/21.5/10 x 80mm		8 716 156 697 0			■														
	Rear cover plate grommet		8 716 157 011 0			■														
	Motor cable - aeg(fhp)		8 716 157 012 0			■														
	Pump suntec as47c		8 716 157 014 0			■														
	Pipe - two conversion Screw - danfoss		8 716 157 015 0			■														
	Pipe - two conversion Screw - suntec as4		8 716 157 016 0			■														
	Air distributor collar - b9		8 716 157 022 0			■														
	Electrode leads with grommet (pair)		8 716 157 023 0			■														
	Nozzle holder		8 716 157 024 0			■														
	Rear cover plate for nozzle holder - b9		8 716 157 025 0			■														
	Burner main body - frame - b9		8 716 157 026 0			■														
	Front cover - Frame - b9		8 716 157 027 0			■														
	Fan cover plate - b9		8 716 157 028 0			■														
	Air intake housing - b9		8 716 157 029 0			■														
	Control box base-satronic		8 716 157 042 0			■														

**ADDITIONAL SPARE PARTS
FOR APPLIANCE
NOT DRAWN**

9099

6720900999.AA

Additional Spare Part
D

9

D'moor 12/14

Pos	description	S-Nr	ordering no.	PG	gas type	D'moor 12/14																	remarks	
	Literature pack		8 716 121 167 0			■																		
	D'moor kitchen serv & inst		8 716 145 072 0			■																		
	D'moor kitchen user manual		8 716 145 136 0			■																		
D'moor 12/14		Additional Spare Part D																		9				

List of translations

Pos			
1			
2			
3			
4			
5			
6			
7			
8			
9			
10			
11			
12			
13			
2			
1			
3			
8			
9			
10			
11			
12			
13			
14			
15			
16			
17			
18			
20			
21			
22			
23			
24			
25			
26			
27			
28			
29			
30			
31			
32			
33			
34			
35			
36			
3			
1			
2			
3			
4			
5			
6			
7			
8			
9			
Pos			

Types of appliances

Appliance	ordering no.	Country remarks
DANESMOOR 12/14-000-GB OIL BO	7 716 100 025	United Kingdom

