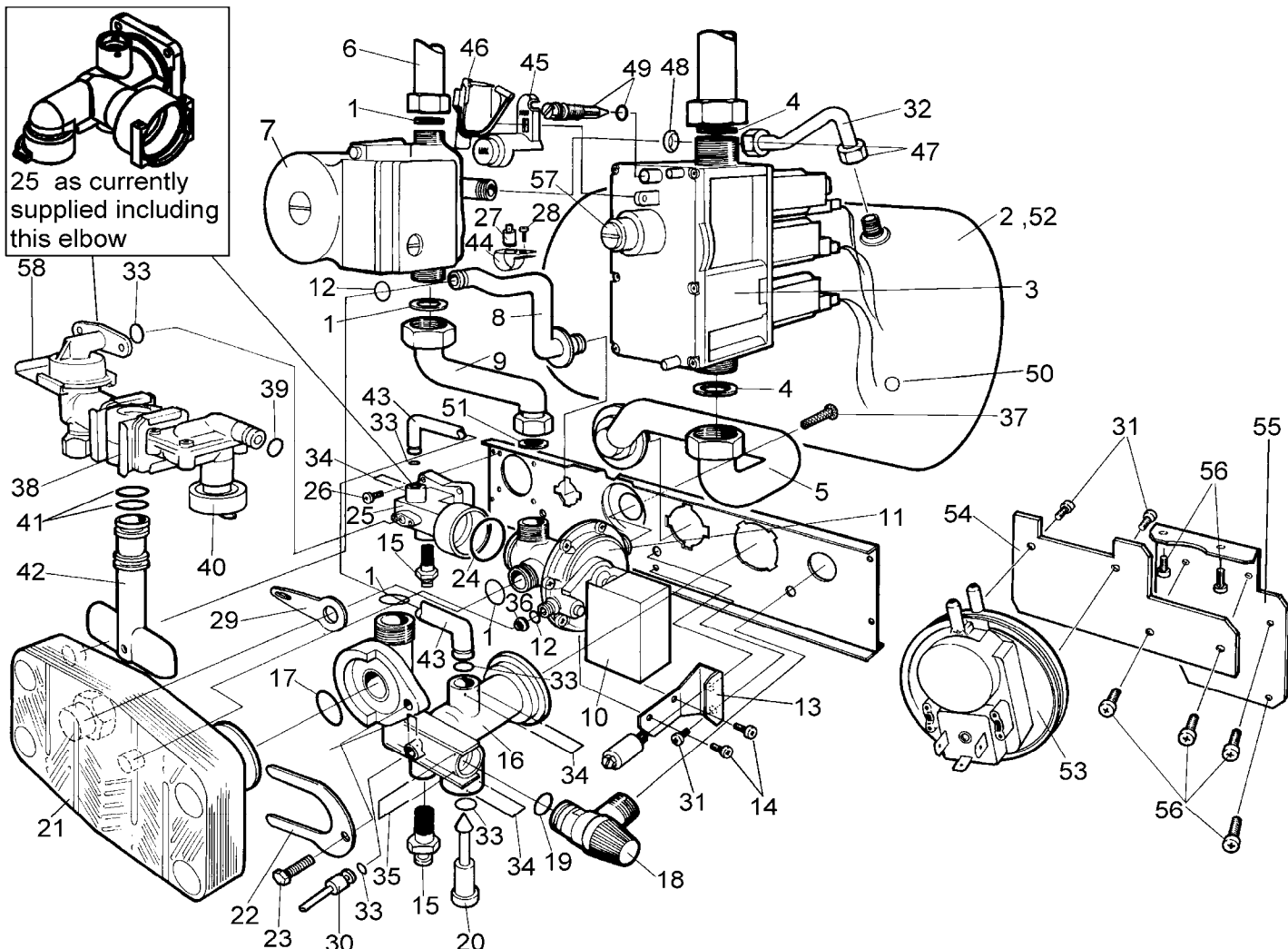
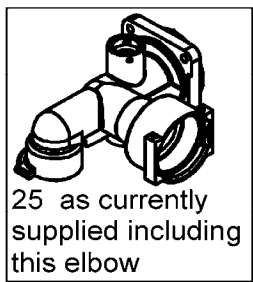


26CDI RSF



- 1 Pump & Hydraulic Assy
 - 2 Superstructure
 - 3 Electrical Box Assy
 - 4 Casing
 - 5 Wall Mounting Assy
 - 6 Secondary Heat Exchanger
 - 9 Additional Spare Parts
- 6720900063.AA

Spare parts list



6720900064.AA

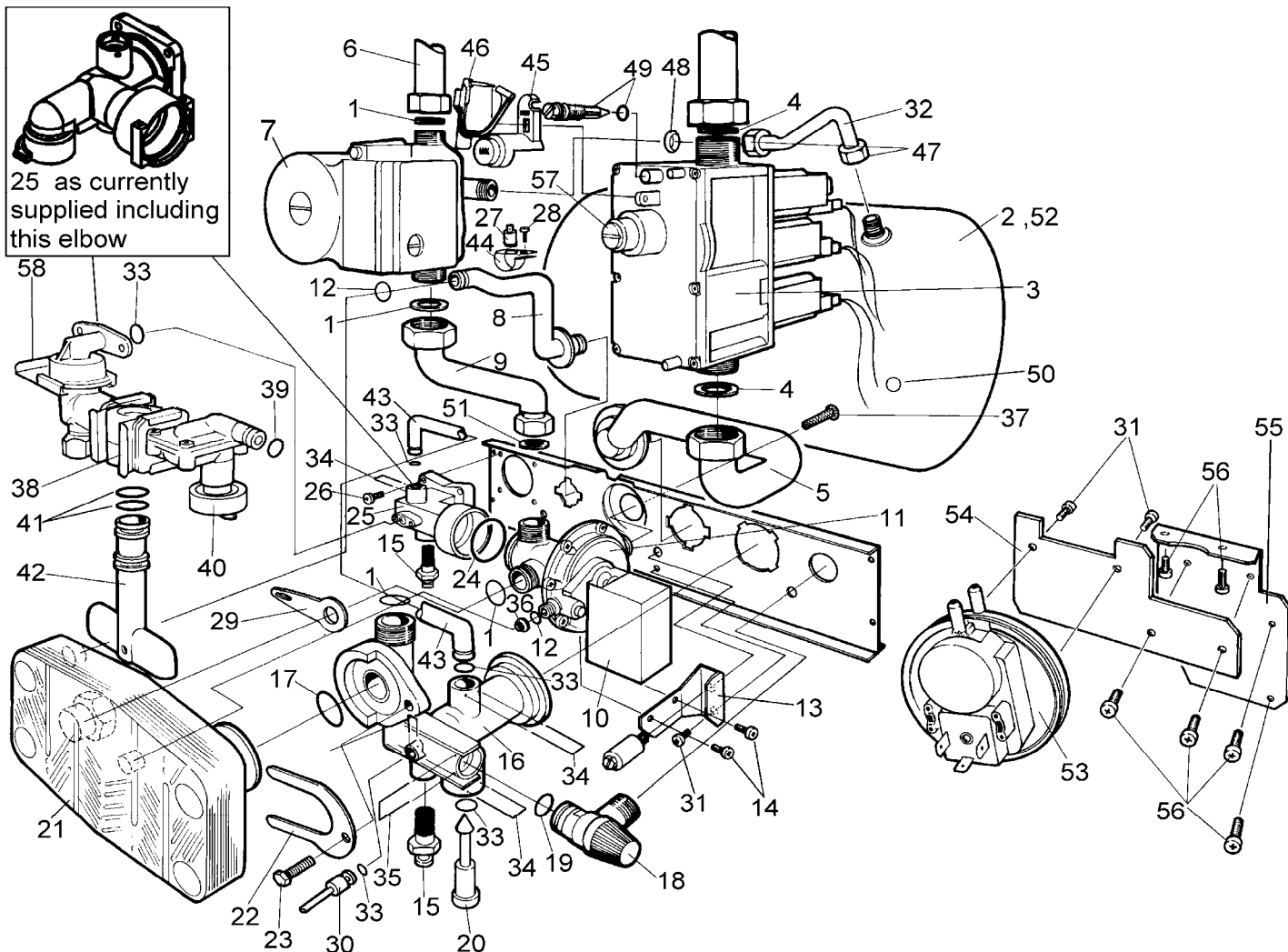
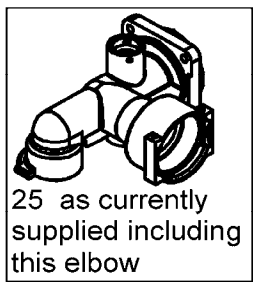
Pump / Hydraulic assy
D

26CDI-FSN 26CDI-FSP

1

Pos	description	S-Nr	ordering no.	PG	gas type	26CDI-FSN	26CDI-FSP											remarks
1	washer 30.5x22.2x1.5		8 716 140 920 0	13	LPG	■												
1	washer 30.5x22.2x1.5		8 716 140 920 0	13	NG	■												
2	Expansion vessel 8l		8 716 142 515 0		LPG	■												
2	Expansion vessel 8l		8 716 142 515 0		NG	■												
3	Gas valve- Dungs ref: 239		8 716 102 673 0	47	NG	■												
3	Gas valve Dungs lpg		8 716 102 868 0	47	LPG	■												
4	Washer fibre 24.0 x 16.0 x 1.5		8 716 140 900 0	07	LPG	■												
4	Washer fibre 24.0 x 16.0 x 1.5		8 716 140 900 0	07	NG	■												
5	Pipe - gas inlet complete		8 716 143 069 0		LPG	■												
5	Pipe - gas inlet complete		8 716 143 069 0		NG	■												
6	Pipe - primary flow		8 716 120 123 0	30	LPG	■												
6	Pipe - primary flow		8 716 120 123 0	30	NG	■												
7	Pump grundfos 59506607		8 716 143 108 0	53	LPG	■												
7	Pump grundfos 59506607		8 716 143 108 0	53	NG	■												
8	Pipe - domestic outlet		8 716 120 044 0	35	LPG	■												
8	Pipe - domestic outlet		8 716 120 044 0	35	NG	■												
9	Pipe - pump outlet		8 716 120 045 0	30	LPG	■												
9	Pipe - pump outlet		8 716 120 045 0	30	NG	■												
10	Diverter valve switch assembly		8 716 146 100 0	35	LPG	■												
10	Diverter valve switch assembly		8 716 146 100 0	35	NG	■												
11	Diverter valve v37 uk		8 716 156 746 0	50	LPG	■												
11	Diverter valve v37 uk		8 716 156 746 0	50	NG	■												
12	O-Ring 2.62 x 11.91 id nitrile		8 716 140 802 0	15	LPG	■												
12	O-Ring 2.62 x 11.91 id nitrile		8 716 140 802 0	15	NG	■												
13	Diverter retainer		8 716 100 036 0	09	LPG	■												
13	Diverter retainer		8 716 100 036 0	09	NG	■												
14	Screw m4x8mm taptite zc pl p/h		2 914 411 412 0	03	LPG	■												
14	Screw m4x8mm taptite zc pl p/h		2 914 411 412 0	03	NG	■												
15	Drain Screw assembly		8 716 120 037 0	21	LPG	■												
15	Drain Screw assembly		8 716 120 037 0	21	NG	■												
16	Return connector		8 716 141 020 0	36	LPG	■												
16	Return connector		8 716 141 020 0	36	NG	■												
17	O-Ring 3.0 x 25.5 id ep50		8 716 140 803 0	07	LPG	■												
17	O-Ring 3.0 x 25.5 id ep50		8 716 140 803 0	07	NG	■												
18	Pressure relief valve 312438		8 716 142 404 0	23	LPG	■												
18	Pressure relief valve 312438		8 716 142 404 0	23	NG	■												
19	O-ring 16x2 (x1)		8 716 115 675 0		LPG	■												
19	O-ring 16x2 (x1)		8 716 115 675 0		NG	■												
19	O-Ring 2.0 X 16.00 ID EP (10x)		8 716 140 814 0	15	LPG	■												
19	O-Ring 2.0 X 16.00 ID EP (10x)		8 716 140 814 0	15	NG	■												
20	By pass Screw		8 716 140 202 0	18	LPG	■												
20	By pass Screw		8 716 140 202 0	18	NG	■												
21	Plate heat exchanger pwv 12e		8 716 142 900 0	55	LPG	■												
21	Plate heat exchanger pwv 12e		8 716 142 900 0	55	NG	■												
22	Clip - retaining		8 716 148 302 0	14	LPG	■												
22	Clip - retaining		8 716 148 302 0	14	NG	■												
23	Retaining clip Screw		8 716 140 105 0	23	LPG	■												
23	Retaining clip Screw		8 716 140 105 0	23	NG	■												
24	O-ring 27.5 x 3.00		8 716 102 293 0	03	LPG	■												
24	O-ring 27.5 x 3.00		8 716 102 293 0	03	NG	■												
25	Flow Manifold		8 716 105 093 0	30	LPG	■												
25	Flow Manifold		8 716 105 093 0	30	NG	■												
26CDI-FSN 26CDI-FSP			Pump / Hydraulic assy D															1

Spare parts list



6720900064.AA

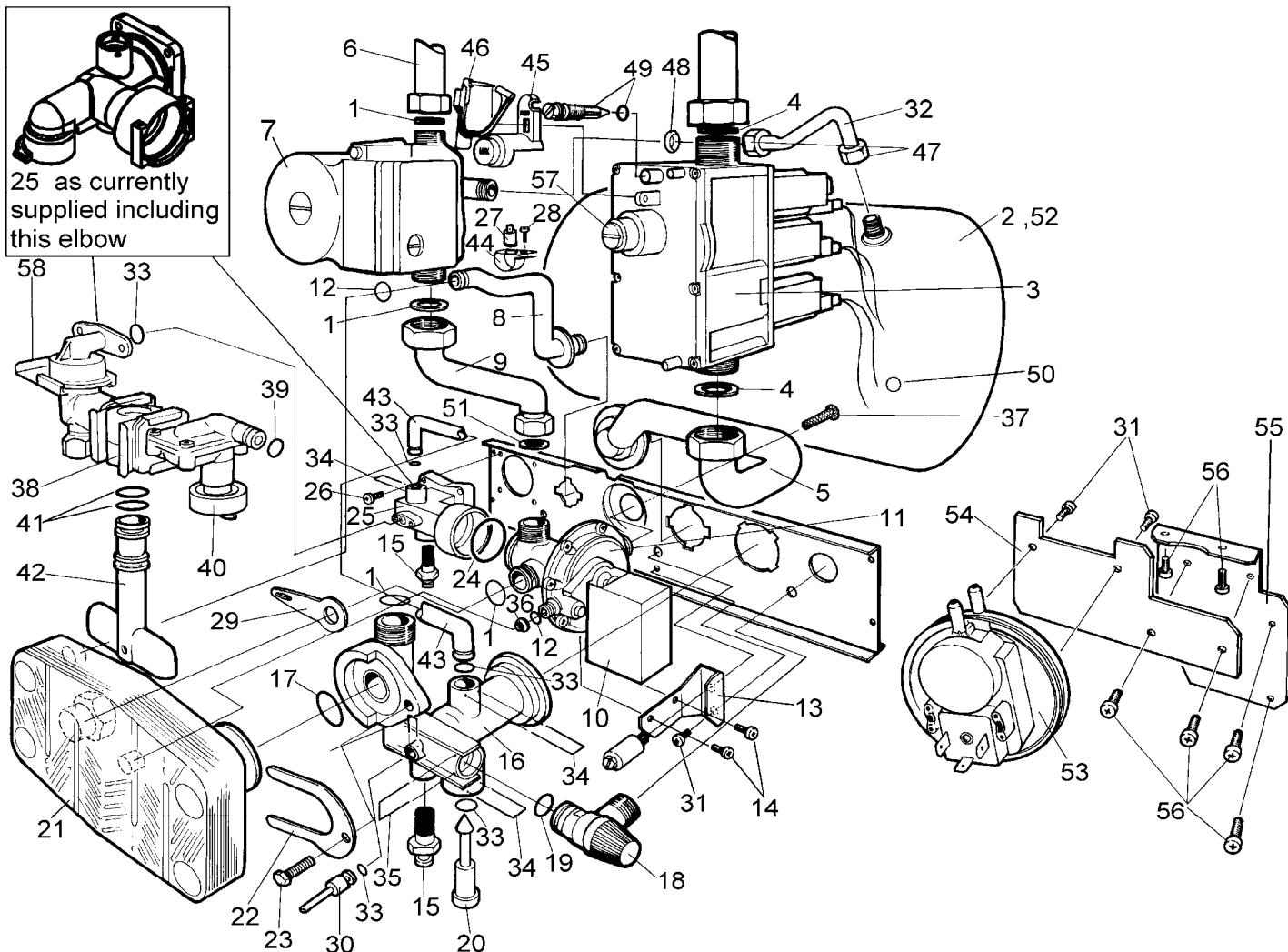
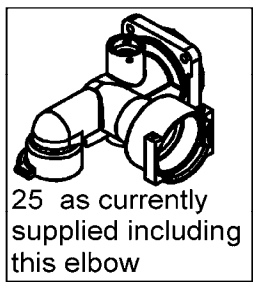
Pump / Hydraulic assy
D

26CDI-FSN 26CDI-FSP

1

Pos	description	S-Nr	ordering no.	PG	gas type	26CDI-FSN	26CDI-FSP											remarks
26	Screw m4 x 12mm taptite zc pl ph		2 914 411 404 0	02	LPG	■												
26	Screw m4 x 12mm taptite zc pl ph		2 914 411 404 0	02	NG	■												
27	Central heating sensor (pps)		8 716 142 384 0	29	LPG	■												
27	Central heating sensor (pps)		8 716 142 384 0	29	NG	■												
28	Screw no.8x1/2 f/h type b self tap.		2 912 421 225 0	16	LPG	■												
28	Screw no.8x1/2 f/h type b self tap.		2 912 421 225 0	16	NG	■												
29	Retaining bracket		8 716 100 086 0	26	LPG	■												
29	Retaining bracket		8 716 100 086 0	26	NG	■												
30	Pressure gauge 4 bar dark grey		8 716 142 300 0		LPG	■												
30	Pressure gauge 4 bar dark grey		8 716 142 300 0		NG	■												
31	Screw iso no 6b x 9.5 recessed		2 912 421 210 0	07	LPG	■												
31	Screw iso no 6b x 9.5 recessed		2 912 421 210 0	07	NG	■												
32	Pipe - expansion vessel		8 716 101 036 0		LPG	■												
32	Pipe - expansion vessel		8 716 101 036 0		NG	■												
33	O-ring 7x2,5		8 716 140 817 0	22	LPG	■												
33	O-ring 7x2,5		8 716 140 817 0	22	NG	■												
34	Clip		8 716 148 301 0	03	LPG	■												
34	Clip		8 716 148 301 0	03	NG	■												
35	Wireform spring		8 716 148 310 0	17	LPG	■												
35	Wireform spring		8 716 148 310 0	17	NG	■												
36	Flow regulator type E-W 8 litre white		8 716 141 054 0	21	LPG	■												
36	Flow regulator type E-W 8 litre white		8 716 141 054 0	21	NG	■												
37	Water filter mpmv3326 st.st.		8 716 148 400 0	30	LPG	■												
37	Water filter mpmv3326 st.st.		8 716 148 400 0	30	NG	■												
38	Charging link assembly		8 716 105 103 0	48	LPG	■												
38	Charging link assembly		8 716 105 103 0	48	NG	■												
39	O-Ring 1.60 x 7.10 id ep		8 716 140 807 0	17	LPG	■												
39	O-Ring 1.60 x 7.10 id ep		8 716 140 807 0	17	NG	■												
40	Valve spindle knob assy - grey		8 716 121 109 0	24	LPG	■												
40	Valve spindle knob assy - grey		8 716 121 109 0	24	NG	■												
41	O-Ring 3.00 x 19.00 id epdm		8 716 140 816 0	17	LPG	■												
41	O-Ring 3.00 x 19.00 id epdm		8 716 140 816 0	17	NG	■												
42	Charging link key		8 716 121 107 0	30	LPG	■												
42	Charging link key		8 716 121 107 0	30	NG	■												
43	Pipe - by pass		8 716 120 051 0	36	LPG	■												
43	Pipe - by pass		8 716 120 051 0	36	NG	■												
44	Clip - domestic h.w. thermistor		8 716 148 309 0	12	LPG	■												
44	Clip - domestic h.w. thermistor		8 716 148 309 0	12	NG	■												
45	Covering sheet		8 710 506 182 0	16	LPG	■												
45	Covering sheet		8 710 506 182 0	16	NG	■												
46	Security tag black		8 712 305 077 0	15	LPG	■												
46	Security tag black		8 712 305 077 0	15	NG	■												
47	Nut 10mm compression		8 716 140 226 0	13	LPG	■												
47	Nut 10mm compression		8 716 140 226 0	13	NG	■												
48	10mm compression ring		8 716 140 227 0	18	LPG	■												
48	10mm compression ring		8 716 140 227 0	18	NG	■												
49	Setting Screw		8 743 404 290 0	11	LPG	■												
49	Setting Screw		8 743 404 290 0	11	NG	■												
50	O-Ring 2.5 x 10.0 id ep50		8 716 140 848 0		LPG	■												
50	O-Ring 2.5 x 10.0 id ep50		8 716 140 848 0		NG	■												
51	Fibre washer 23.9 X 17.2 X 1.5 (10x)		8 710 103 043 0	12	LPG	■												
51	Fibre washer 23.9 X 17.2 X 1.5 (10x)		8 710 103 043 0	12	NG	■												
26CDI-FSN 26CDI-FSP			Pump / Hydraulic assy D															1

Spare parts list



6720900064.AA

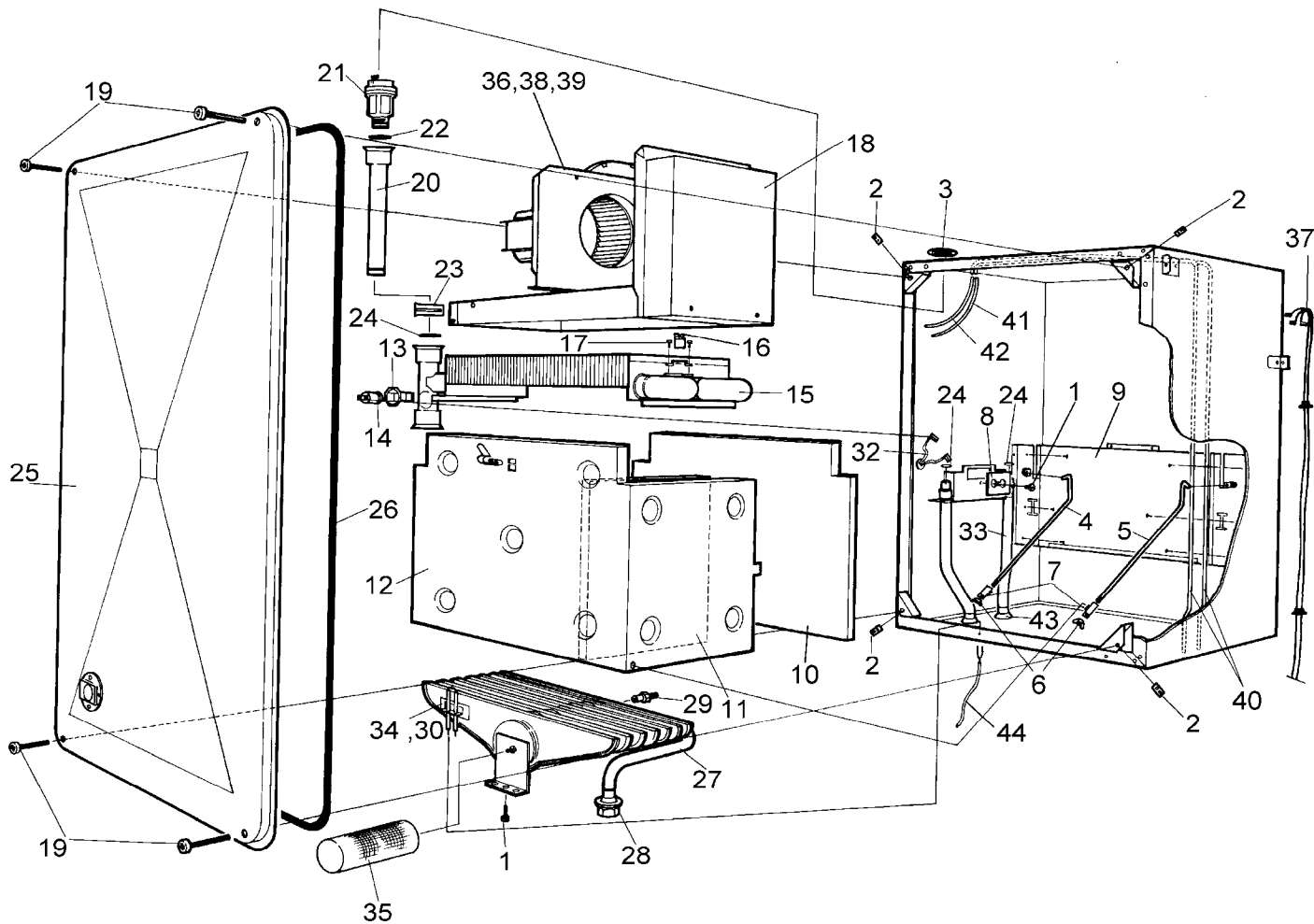
Pump / Hydraulic assy
D

26CDI-FSN 26CDI-FSP

1

Pos	description	S-Nr	ordering no.	PG	gas type	26CDI-FSN	26CDI-FSP																																	remarks	
51	Washer 23.9 x 17.2 x 1.5 (X1)		8 716 115 674 0		LPG	■																																			
51	Washer 23.9 x 17.2 x 1.5 (X1)		8 716 115 674 0		NG	■																																			
52	Cable tie 763mm ntb190h		8 716 141 064 0		LPG	■																																			
52	Cable tie 763mm ntb190h		8 716 141 064 0		NG	■																																			
53	Pressure differential		8 716 156 744 0	33	LPG	■																																			
53	Pressure differential		8 716 156 744 0	33	NG	■																																			
54	Bracket-pressure switch		8 716 100 008 0	30	LPG	■																																			
54	Bracket-pressure switch		8 716 100 008 0	30	NG	■																																			
55	Bracket-gas valve		8 716 100 007 0		LPG	■																																			
55	Bracket-gas valve		8 716 100 007 0		NG	■																																			
56	Screw m4x10mm taptite Scr zc pl p/h		2 914 411 408 0		LPG	■																																			
56	Screw m4x10mm taptite Scr zc pl p/h		2 914 411 408 0		NG	■																																			
57	Sealing screw		8 743 406 145 0	20	LPG	■																																			
57	Sealing screw		8 743 406 145 0	20	NG	■																																			
58	Clip - charging link		8 716 148 307 0		LPG	■																																			
58	Clip - charging link		8 716 148 307 0		NG	■																																			
	Washer - fibre pack		7 716 192 205 0		LPG	■																																			
	Washer - fibre pack		7 716 192 205 0		NG	■																																			
	O-Ring pack		7 716 192 239 0		LPG	■																																			
	O-Ring pack		7 716 192 239 0		NG	■																																			
	Circlip diverter valve		8 716 105 433 0		LPG	■																																			
	Circlip diverter valve		8 716 105 433 0		NG	■																																			
	Cap diverter valve		8 716 105 434 0		LPG	■																																			
	Cap diverter valve		8 716 105 434 0		NG	■																																			
	Manifold & diverter assembly		8 716 120 323 0		LPG	■																																			
	Manifold & diverter assembly		8 716 120 323 0		NG	■																																			
26CDI-FSN 26CDI-FSP			Pump / Hydraulic assy D																	1																					

Spare parts list



6720900065.AA

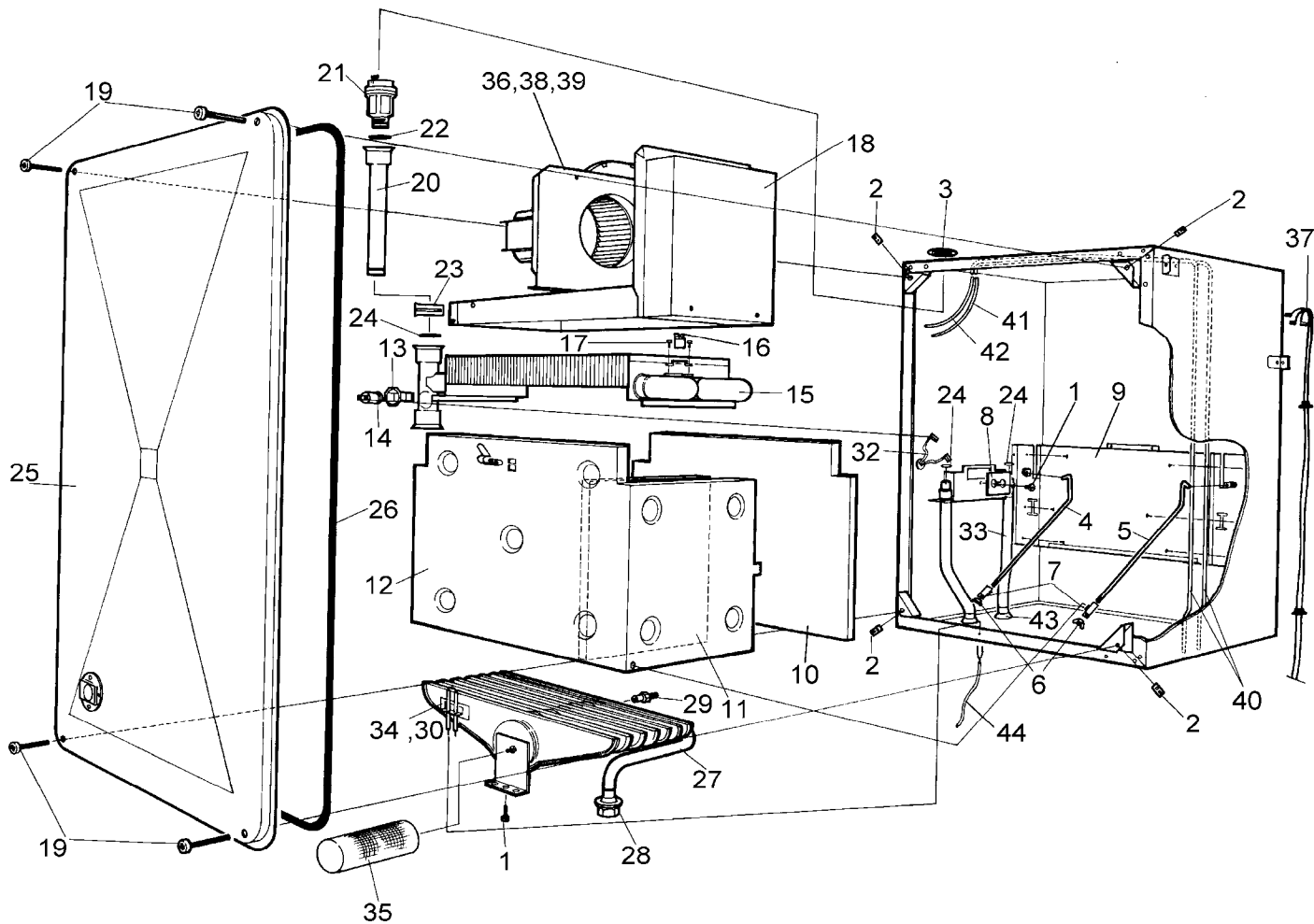
Superstructure
D

26CDI-FSN 26CDI-FSP

2

Pos	description	S-Nr	ordering no.	PG	gas type	26CDI-FSN	26CDI-FSP											remarks
1	Screw m4x10mm taptite Scr zc pl p/h		2 914 411 408 0		LPG	■												
1	Screw m4x10mm taptite Scr zc pl p/h		2 914 411 408 0		NG	■												
2	Nut Captive No:8		8 716 148 204 0	16	LPG	■												
2	Nut Captive No:8		8 716 148 204 0	16	NG	■												
3	Seal-air vent		8 716 140 704 0	19	LPG	■												
3	Seal-air vent		8 716 140 704 0	19	NG	■												
4	Retaining bolt lh		8 716 148 200 0	17	LPG	■												
4	Retaining bolt lh		8 716 148 200 0	17	NG	■												
5	Retaining bolt rh		8 716 148 201 0	18	LPG	■												
5	Retaining bolt rh		8 716 148 201 0	18	NG	■												
6	Nut-wing m5 ms zn pl table 2		2 915 191 105 0	15	LPG	■												
6	Nut-wing m5 ms zn pl table 2		2 915 191 105 0	15	NG	■												
7	Retaining bolt guide		8 716 100 097 0	30	LPG	■												
7	Retaining bolt guide		8 716 100 097 0	30	NG	■												
8	Heat ex. retainer		8 716 100 045 0	30	LPG	■												
8	Heat ex. retainer		8 716 100 045 0	30	NG	■												
9	Combustion rear insulation		8 716 142 201 0	23	LPG	■												
9	Combustion rear insulation		8 716 142 201 0	23	NG	■												
10	Combustion front insulation		8 716 142 200 0	23	LPG	■												
10	Combustion front insulation		8 716 142 200 0	23	NG	■												
11	Combustion side insulation		8 716 142 202 0	23	LPG	■												
11	Combustion side insulation		8 716 142 202 0	23	NG	■												
12	Combustion chamber front-sides		8 716 100 021 0	40	LPG	■												
12	Combustion chamber front-sides		8 716 100 021 0	40	NG	■												
13	Primary h.w. thermistor clip		8 716 148 303 0	12	LPG	■												
13	Primary h.w. thermistor clip		8 716 148 303 0	12	NG	■												
14	Ntc/thermister dhw		8 716 142 302 0	17	LPG	■												
14	Ntc/thermister dhw		8 716 142 302 0	17	NG	■												
15	Gas-water heat exchanger		8 716 142 800 0	55	LPG	■												
15	Gas-water heat exchanger		8 716 142 800 0	55	NG	■												
16	Overheat thermostat		8 716 142 303 0	39	LPG	■												
16	Overheat thermostat		8 716 142 303 0	39	NG	■												
17	Screw m3x6mm zc pl p/h taptite		2 914 411 411 0	18	LPG	■												
17	Screw m3x6mm zc pl p/h taptite		2 914 411 411 0	18	NG	■												
18	Collector hood assembly		8 716 121 193 0		LPG	■												
18	Collector hood assembly		8 716 121 193 0		NG	■												
19	Screw no.8x1/2 f/h type b self tap.		2 912 421 225 0	16	LPG	■												
19	Screw no.8x1/2 f/h type b self tap.		2 912 421 225 0	16	NG	■												
20	Pipe - air vent		8 716 120 047 0	33	LPG	■												
20	Pipe - air vent		8 716 120 047 0	33	NG	■												
21	Air-vent automatic 3/8 (ss kit)		8 716 140 500 0	35	LPG	■												
21	Air-vent automatic 3/8 (ss kit)		8 716 140 500 0	35	NG	■												
22	O-ring 2.62 X 15.54 id ep		8 716 140 805 0	15	LPG	■												
22	O-ring 2.62 X 15.54 id ep		8 716 140 805 0	15	NG	■												
23	Clamp spring		8 716 148 317 0	02	LPG	■												
23	Clamp spring		8 716 148 317 0	02	NG	■												
24	O-ring 2.62 X 17.86		8 716 140 806 0	15	LPG	■												
24	O-ring 2.62 X 17.86		8 716 140 806 0	15	NG	■												
25	Inner casing cover assembly		8 716 120 254 0	39	LPG	■												
25	Inner casing cover assembly		8 716 120 254 0	39	NG	■												
26	Seal		8 716 100 640 0	26	LPG	■												
26	Seal		8 716 100 640 0	26	NG	■												
26CDI-FSN 26CDI-FSP			Superstructure D															2

Spare parts list



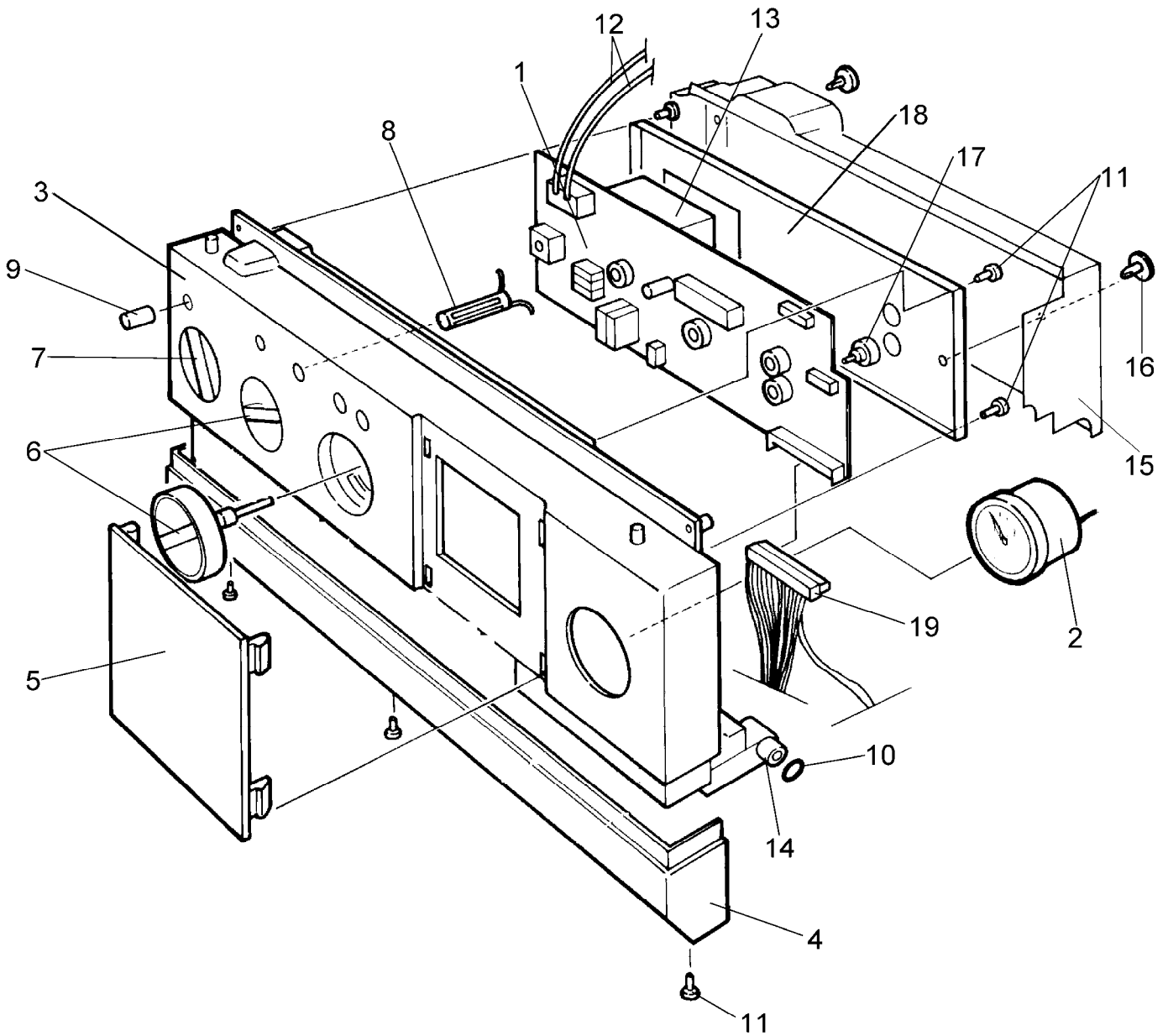
6720900065.AA

Superstructure
D

26CDI-FSN 26CDI-FSP

2

Spare parts list



6720900066.AA

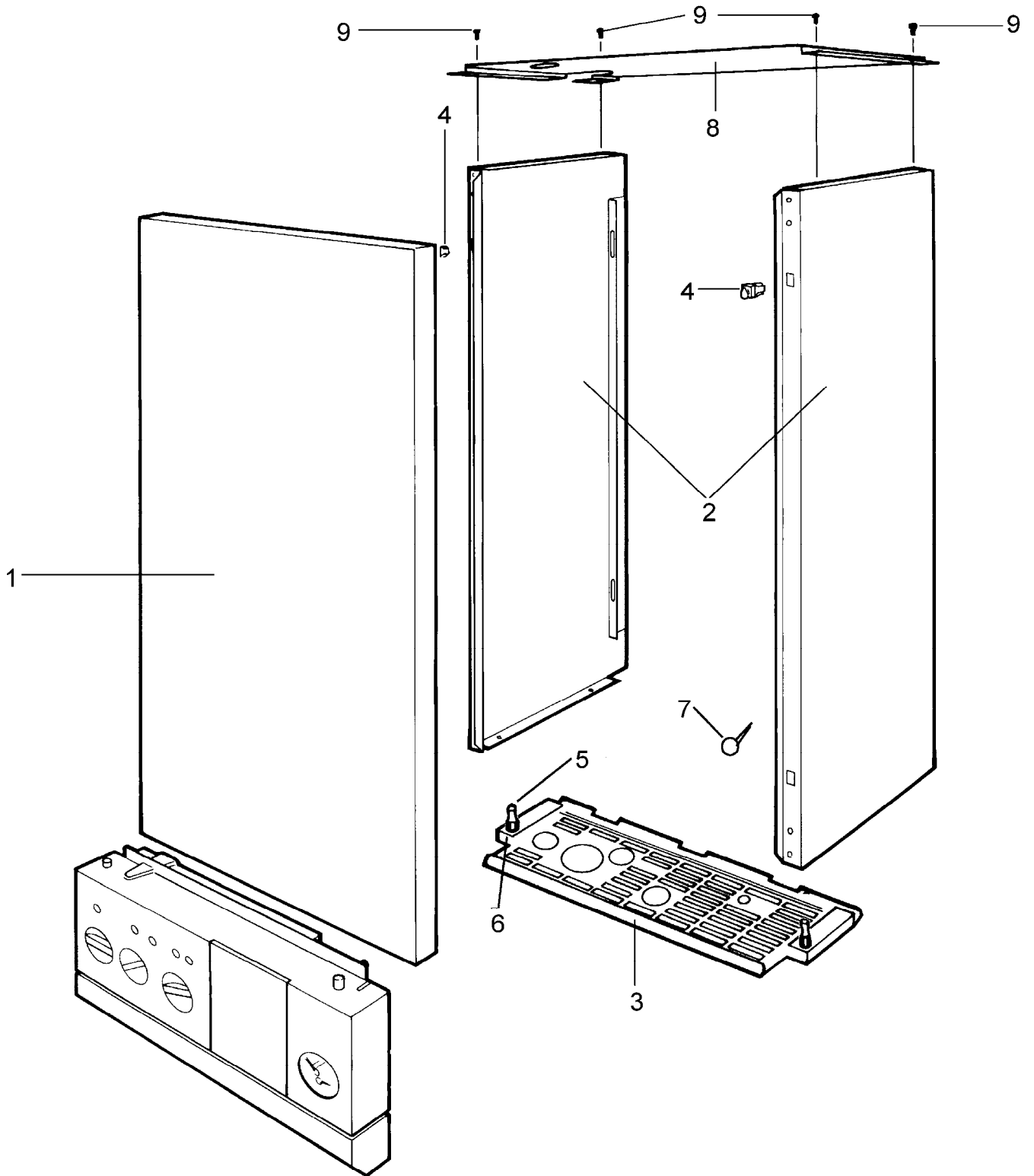
Electrical Box Assembly
D

26CDI-FSN 26CDI-FSP

3

Pos	description	S-Nr	ordering no.	PG	gas type	26CDI-FSN	26CDI-FSP												remarks
1	P.c.b. heatronic ii		8 748 300 313 0		LPG	■													
1	P.c.b. heatronic ii		8 748 300 313 0		NG	■													
2	Pressure gauge 4 bar dark grey		8 716 142 300 0		LPG	■													
2	Pressure gauge 4 bar dark grey		8 716 142 300 0		NG	■													
3	Facia main body		8 716 141 012 0		LPG	■													
3	Facia main body		8 716 141 012 0		NG	■													
4	Facia panel bottom 26cdi xtra		8 716 141 174 0		LPG	■													
4	Facia panel bottom 26cdi xtra		8 716 141 174 0		NG	■													
5	Facia inset plate		8 716 141 008 0		LPG	■													
5	Facia inset plate		8 716 141 008 0		NG	■													
6	Control knob		8 716 141 044 0		LPG	■													
6	Control knob		8 716 141 044 0		NG	■													
7	Selector knob		8 716 141 021 0		LPG	■													
7	Selector knob		8 716 141 021 0		NG	■													
8	Reset button		8 716 141 019 0	18	LPG	■													
8	Reset button		8 716 141 019 0	18	NG	■													
9	Facia light insert		8 716 141 011 0	10	LPG	■													
9	Facia light insert		8 716 141 011 0	10	NG	■													
10	O-Ring 1.60 x 7.10 id ep		8 716 140 807 0	17	LPG	■													
10	O-Ring 1.60 x 7.10 id ep		8 716 140 807 0	17	NG	■													
11	Screw iso no 6b x 9.5 recessed		2 912 421 210 0	07	LPG	■													
11	Screw iso no 6b x 9.5 recessed		2 912 421 210 0	07	NG	■													
12	Harness ignition assembly		8 716 120 229 0	23	LPG	■													
12	Harness ignition assembly		8 716 120 229 0	23	NG	■													
13	Transformer - bv066-0188.0		8 747 201 248 0	43	LPG	■													
13	Transformer - bv066-0188.0		8 747 201 248 0	43	NG	■													
14	Facia hinge pin		8 716 141 007 0	26	LPG	■													
14	Facia hinge pin		8 716 141 007 0	26	NG	■													
15	Electrical box cover		8 716 141 067 0	27	LPG	■													
15	Electrical box cover		8 716 141 067 0	27	NG	■													
16	Panel fastener		8 716 141 045 0	04	LPG	■													
16	Panel fastener		8 716 141 045 0	04	NG	■													
17	Potentiometer adjuster - black		8 716 141 151 0		LPG	■													
17	Potentiometer adjuster - black		8 716 141 151 0		NG	■													
18	Facia plate assembly		8 716 120 346 0	38	LPG	■													
18	Facia plate assembly		8 716 120 346 0	38	NG	■													
	CDi-fuse pack		7 716 192 206 0		LPG	■													
	CDi-fuse pack		7 716 192 206 0		NG	■													
	Harness earth cdi & i range		8 716 121 260 0		LPG	■													
	Harness earth cdi & i range		8 716 121 260 0		NG	■													
	PCB support pillar tcbs-8-01		8 716 141 076 0		LPG	■													
	PCB support pillar tcbs-8-01		8 716 141 076 0		NG	■													
	Fuse 2a slow blow 20 x 5mm		8 716 156 000 0		LPG	■													
	Fuse 2a slow blow 20 x 5mm		8 716 156 000 0		NG	■													
	Fuse 1.25a 20mm antisurge		8 716 156 001 0		LPG	■													
	Fuse 1.25a 20mm antisurge		8 716 156 001 0		NG	■													
	Sealing screw		8 743 406 145 0	20	LPG	■													
	Sealing screw		8 743 406 145 0	20	NG	■													
26CDI-FSN 26CDI-FSP			Electrical Box Assembly D															3	

Spare parts list



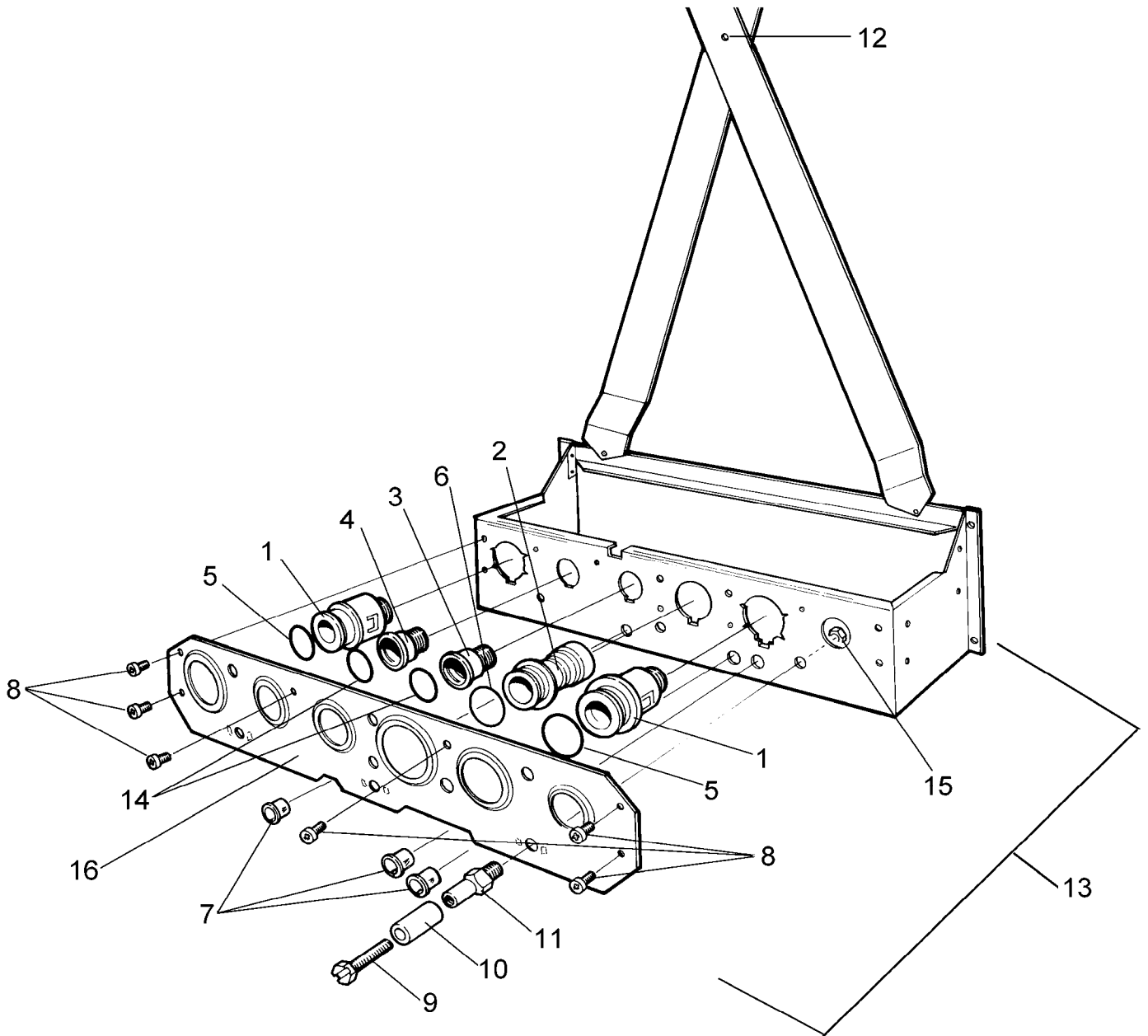
6720900067.AA

Casing
D

4

26CDI-FSN 26CDI-FSP

Spare parts list



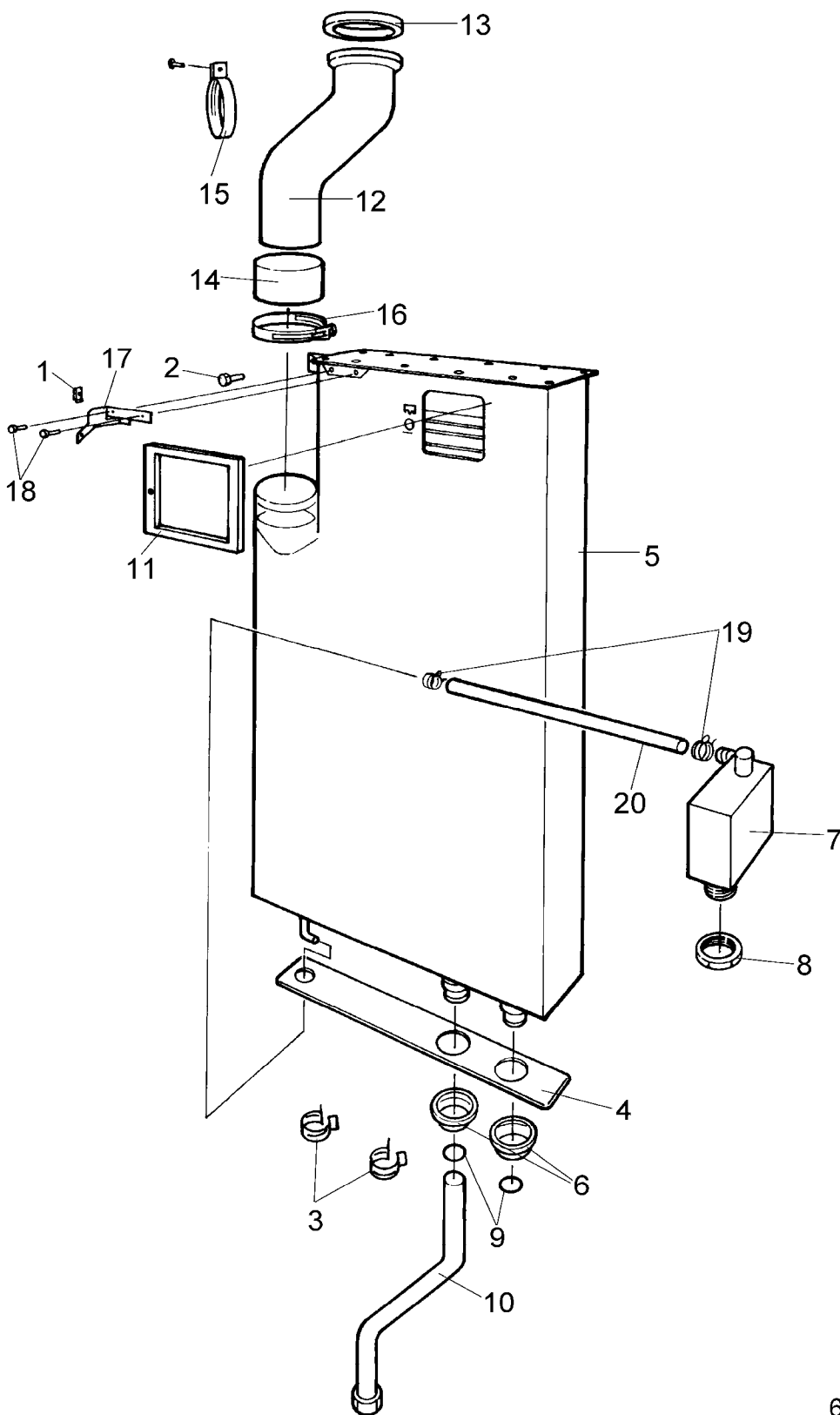
6720900068.AA

Wall Mounting assy
D

26CDI-FSN 26CDI-FSP

5

Spare parts list



6720900069.AA

Secondary Heat exchanger
D

26CDI-FSN 26CDI-FSP

6

Pos	description	S-Nr	ordering no.	PG	gas type	26CDI-FSN	26CDI-FSP											remarks
1	Nut Captive No:8		8 716 148 204 0	16	LPG	■												
1	Nut Captive No:8		8 716 148 204 0	16	NG	■												
2	Screw no.8x1/2 f/h type b self tap.		2 912 421 225 0	16	LPG	■												
2	Screw no.8x1/2 f/h type b self tap.		2 912 421 225 0	16	NG	■												
3	Clamp spring		8 716 148 317 0	02	LPG	■												
3	Clamp spring		8 716 148 317 0	02	NG	■												
4	Gasket lower		8 716 140 925 0		LPG	■												
4	Gasket lower		8 716 140 925 0		NG	■												
5	Condenser unit		8 716 121 205 0		LPG	■												
5	Condenser unit		8 716 121 205 0		NG	■												
6	G1 lock nut special		8 716 148 058 0		LPG	■												
6	G1 lock nut special		8 716 148 058 0		NG	■												
7	Condensate syphon		8 716 141 173 0		LPG	■												
7	Condensate syphon		8 716 141 173 0		NG	■												
8	Flanged backnut 1 bsp		8 716 140 293 0		LPG	■												
8	Flanged backnut 1 bsp		8 716 140 293 0		NG	■												
9	O-Ring 17.6 ID X 2.4 EP		8 716 140 820 0	02	LPG	■												
9	O-Ring 17.6 ID X 2.4 EP		8 716 140 820 0	02	NG	■												
10	Pipe - secondary return assembly		8 716 121 194 0		LPG	■												
10	Pipe - secondary return assembly		8 716 121 194 0		NG	■												
11	Gasket fan extension		8 716 140 926 0		LPG	■												
11	Gasket fan extension		8 716 140 926 0		NG	■												
12	Pipe - boiler flue outlet		8 716 148 166 0		LPG	■												
12	Pipe - boiler flue outlet		8 716 148 166 0		NG	■												
13	Flue seal		8 716 140 786 0		LPG	■												
13	Flue seal		8 716 140 786 0		NG	■												
14	Silicon flue seal		8 716 140 788 0		LPG	■												
14	Silicon flue seal		8 716 140 788 0		NG	■												
15	Strap flue duct		8 716 148 209 0		LPG	■												
15	Strap flue duct		8 716 148 209 0		NG	■												
16	Strap flue duct		8 716 148 250 0		LPG	■												
16	Strap flue duct		8 716 148 250 0		NG	■												
17	Flue outlet support bracket		8 716 101 045 0		LPG	■												
17	Flue outlet support bracket		8 716 101 045 0		NG	■												
18	Screw m4x8mm taptite zc pl p/h		2 914 411 412 0	03	LPG	■												
18	Screw m4x8mm taptite zc pl p/h		2 914 411 412 0	03	NG	■												
19	Clip - spire Clamp hose syphon		8 716 155 041 0		LPG	■												
19	Clip - spire Clamp hose syphon		8 716 155 041 0		NG	■												
20	Silicon waste tube		8 716 140 787 0		LPG	■												
20	Silicon waste tube		8 716 140 787 0		NG	■												
	Tube condensate drain		8 716 102 598 0		LPG	■												
	Tube condensate drain		8 716 102 598 0		NG	■												
	Clip - hose spring 18mm		8 716 104 463 0	12	LPG	■												
	Clip - hose spring 18mm		8 716 104 463 0	12	NG	■												
	Drain connector		8 716 121 342 0		LPG	■												
	Drain connector		8 716 121 342 0		NG	■												

26CDI-FSN 26CDI-FSP	Secondary Heat exchanger D	6
----------------------------	-------------------------------	----------

**ADDITIONAL SPARE PARTS
FOR APPLIANCE
NOT DRAWN**

9099

6720900999.AA

Additional Spare Part
D

26CDI-FSN 26CDI-FSP

9

List of translations

Pos				
1				
2				
3				
4				
5				
6				
7				
8				
9				
10				
11				
12				
13				
14				
15				
16				
17				
18				
19				
20				
21				
22				
23				
24				
25				
26				
27				
28				
29				
30				
31				
32				
33				
34				
35				
36				
37				
38				
39				
40				
41				
42				
43				
44				
45				
46				
47				
48				
49				
50				
51				
52				
53				
54				
55				
56				
Pos				

List of translations

57				
58				
2				
1				
2				
3				
4				
5				
6				
7				
8				
9				
10				
11				
12				
13				
14				
15				
16				
17				
18				
19				
20				
21				
22				
23				
24				
25				
26				
27				
28				
29				
30				
32				
33				
34				
35				
36				
37				
38				
39				
40				
41				
42				
43				
44				
3				
1				
2				
Pos				
3				
4				
5				
6				
7				
8				

List of translations

9				
10				
11				
12				
13				
14				
15				
16				
17				
18				
4				
1				
2				
3				
4				
5				
6				
7				
8				
9				
5				
1				
2				
3				
4				
5				
6				
7				
8				
9				
10				
11				
12				
13				
14				
15				
16				
6				
1				
2				
3				
4				
5				
6				
7				
Pos				
8				
9				
10				
11				
12				
13				
14				
15				
16				
17				
18				

