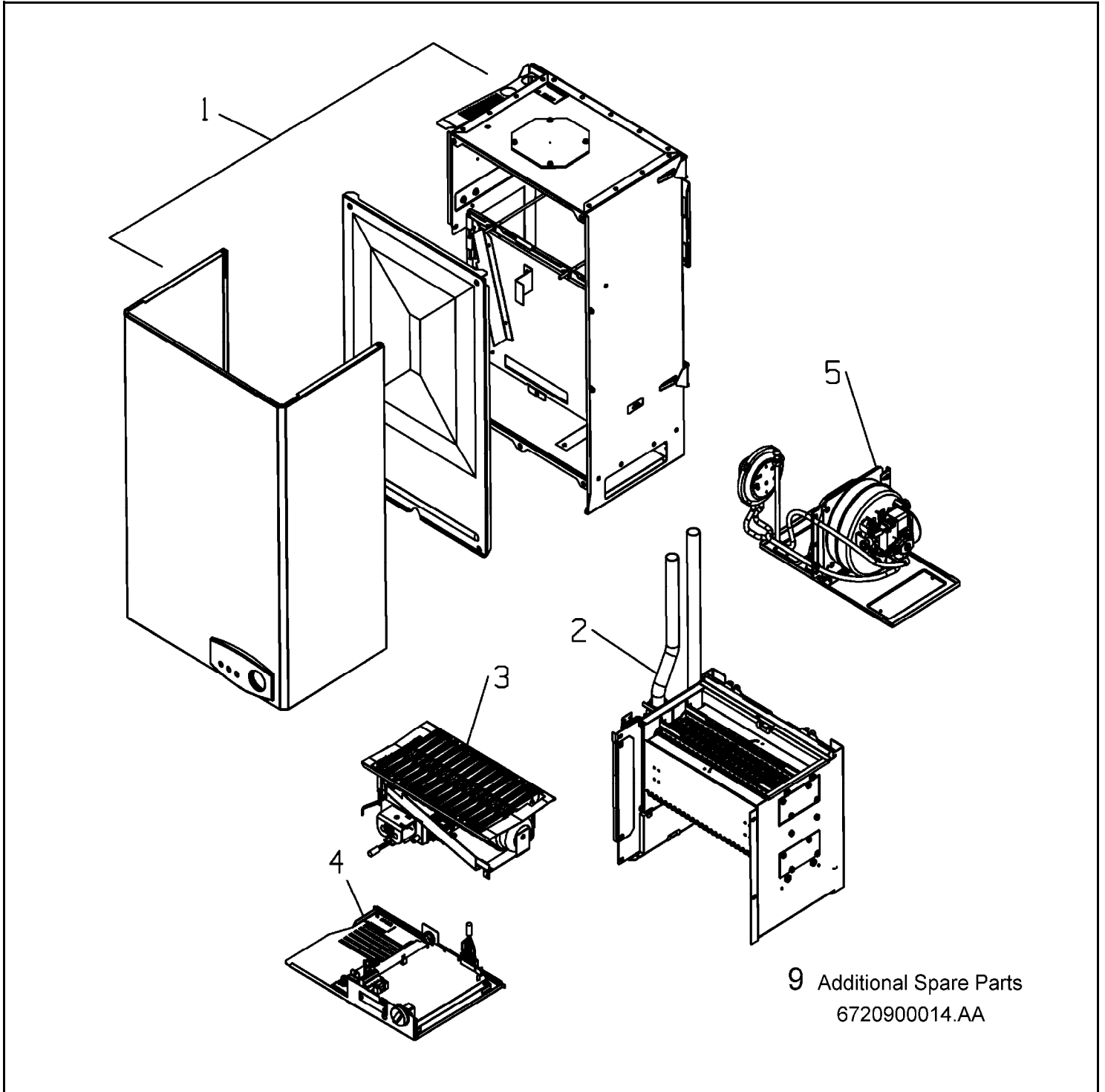


# 24CBI

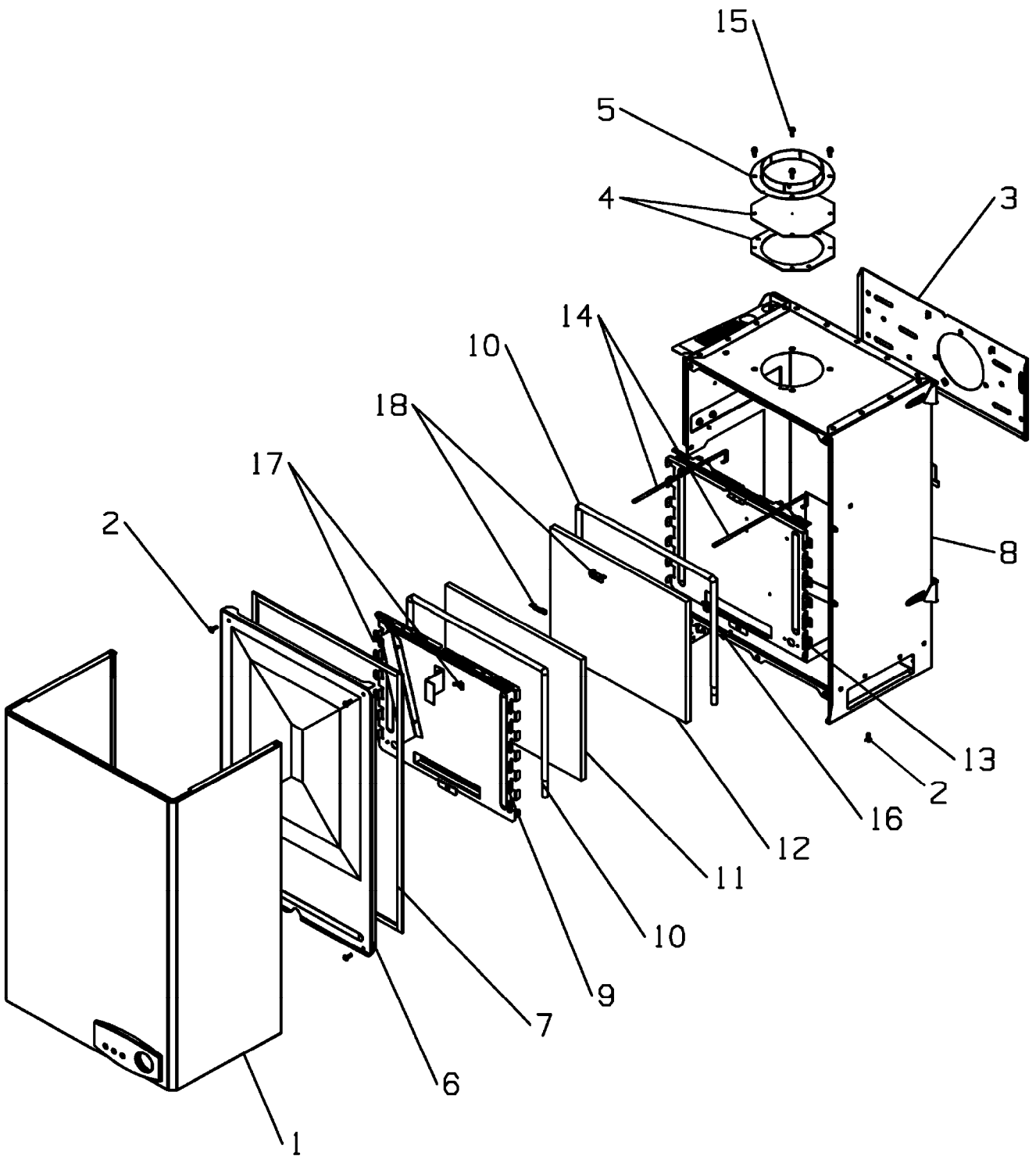


9 Additional Spare Parts  
6720900014.AA





Spare parts list



6720900015.AA

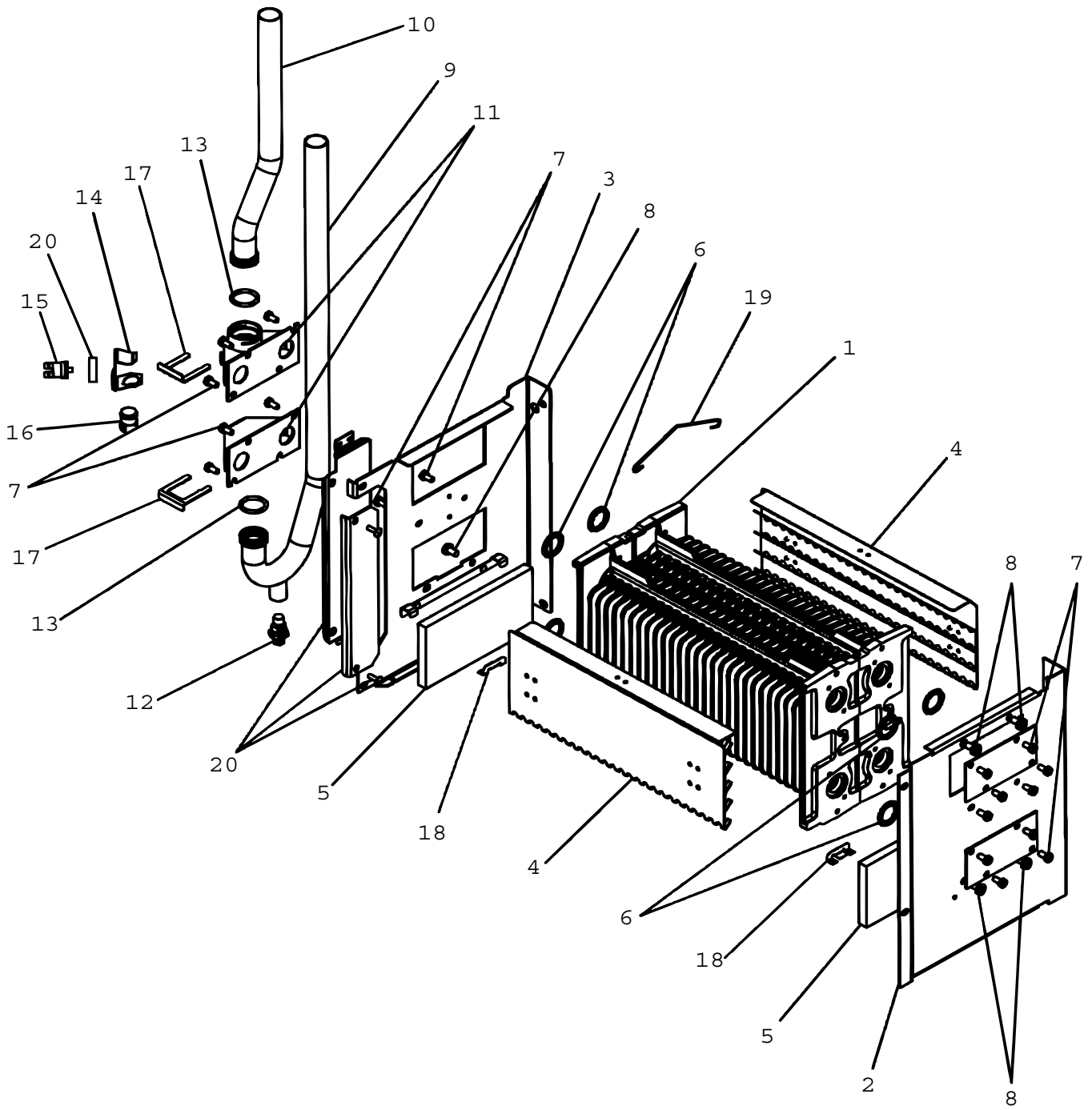
Superstructure / Case  
D

24CBI-FON

1

Pos	description	S-Nr	ordering no.	PG	gas type	24CBI-FON														remarks
1	Casing assembly		8 716 121 795 0		NG	■														
2	Screw no.8x1/2 f/h type b self tap.		2 912 421 225 0	16	NG	■														
3	Wall plate		8 716 101 636 0		NG	■														
4	Blanking plate/casing		8 716 101 598 0		NG	■														
5	Flue spigot		8 716 101 592 0		NG	■														
6	Inner case door assy		8 716 121 794 0		NG	■														
7	Inner door seal		8 716 140 956 0		NG	■														
8	Superstructure assembly 24kw		8 716 121 749 0		NG	■														
9	Combustion chamber front assembly		8 716 121 793 0		NG	■														
10	Rope glass fibre 10mm		8 716 156 851 0		NG	■														
11	Insulation front		8 716 156 854 0		NG	■														
12	Insulation rear		8 716 156 850 0		NG	■														
13	Combustion chamber rear assembly		8 716 121 755 0		NG	■														
14	J-bolt		8 716 143 074 0		NG	■														
15	Screw no.8x12 hex pozi		8 716 155 073 0		NG	■														
16	Screw m5x16mm hexagon slotted head		2 911 131 158 0		NG	■														
17	Nut-wing m5 ms zn pl table 2		2 915 191 105 0	15	NG	■														
18	Retainer - insulation		8 716 148 362 0		NG	■														
	Screw m4x8mm taptite zc pl p/h		2 914 411 412 0	03	NG	■														
	Front case retaining bracket		8 716 101 688 0		NG	■														
<b>24CBI-FON</b>			Superstructure / Case D														<b>1</b>			

# Spare parts list



6720900016.AA

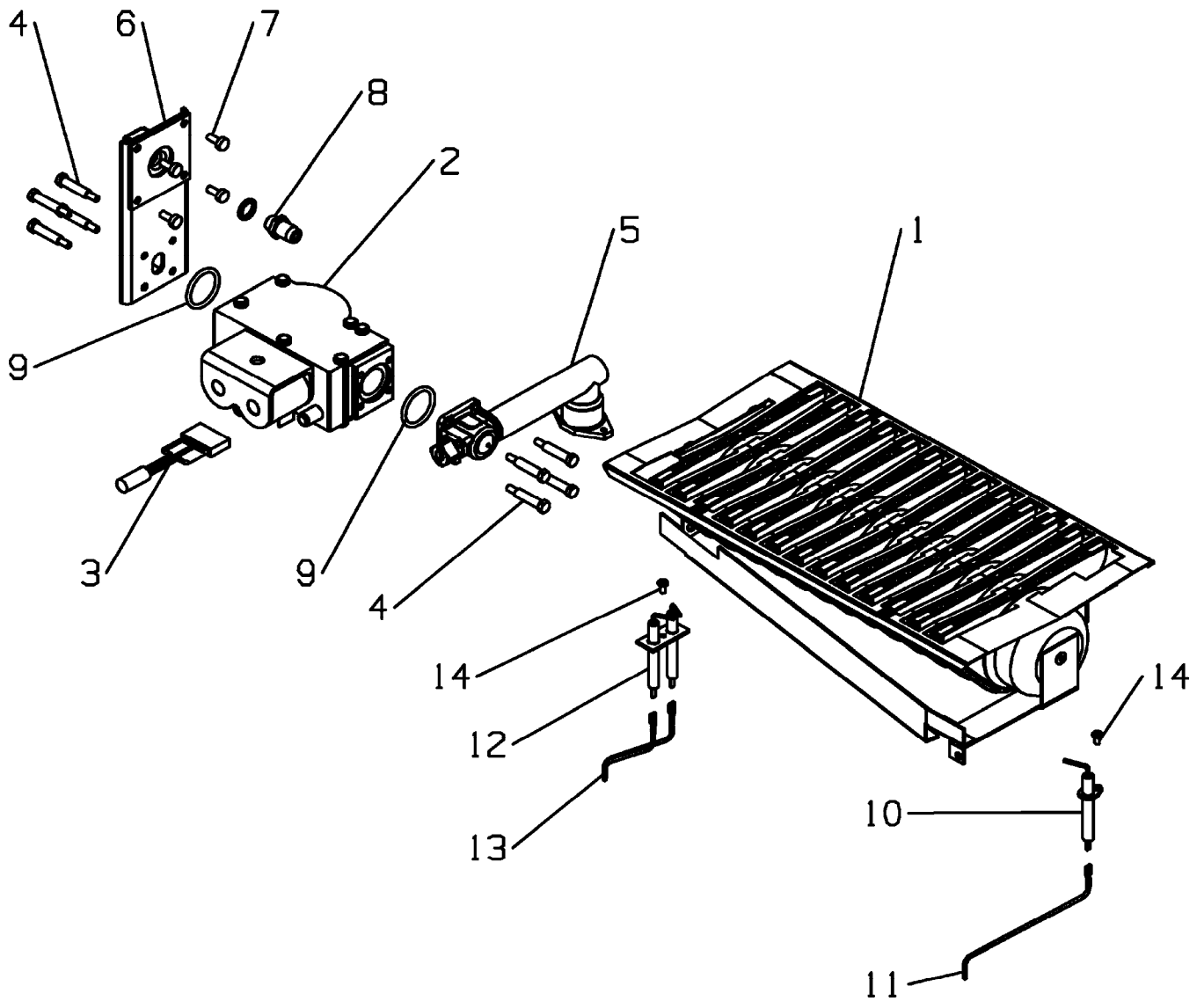
Heat exchanger / Pipes  
D

24CBI-FON

**2**

Pos	description	S-Nr	ordering no.	PG	gas type	24CBI-FON													remarks
1	Heat exchanger assembly		8 716 121 700 0		NG	■													
2	Side plate r.h. assembly 24cbi		8 716 101 815 0		NG	■													
3	Side plate l.h. assembly		8 716 101 805 0		NG	■													
4	Baffle assy long 24kw		8 716 143 076 0		NG	■													
5	Insulation sides		8 716 156 852 0		NG	■													
6	O-Ring 3.53 x 20.22id		8 716 104 955 0		NG	■													
7	Screw m5 x 8 lg hex slot hd		2 911 121 150 0		NG	■													
7	Screw m5x10mm hex/slotted head		2 911 131 152 0	08	NG	■													
8	Screw m6x10mm bzp slt p/h m/s		2 910 001 191 0		NG	■													
9	Pipe - c/h assembly		8 716 154 015 0		NG	■													
10	Pipe - c/h assembly		8 716 154 013 0		NG	■													
11	Heatexchanger manifolds		8 716 148 073 0		NG	■													
12	Drain Screw assembly		8 716 120 037 0	21	NG	■													
13	O-Ring 3.0 sec x 21.5 i/d e.p.		8 716 140 826 0		NG	■													
14	Clip - spring retaining		8 716 148 365 0		NG	■													
15	Overheat thermostat		8 716 142 399 0		NG	■													
16	Ntc/thermister dhw		8 716 142 302 0	17	NG	■													
17	Clip - retaining		8 716 148 322 0		NG	■													
18	Retainer - insulation		8 716 148 362 0		NG	■													
19	Clip - baffle retaining		8 716 101 938 0		NG	■													
20	Insulatlng rlng		8 716 102 337 0		NG	■													
	Insulation kit 24CBI		8 716 101 796 0		NG	■													
	O-Ring kit ht/exchanger		8 716 101 797 0		NG	■													
24CBI-FON			Heat exchanger / Pipes D																2

Spare parts list



6720900017.AA

Gas valve / Burner  
D

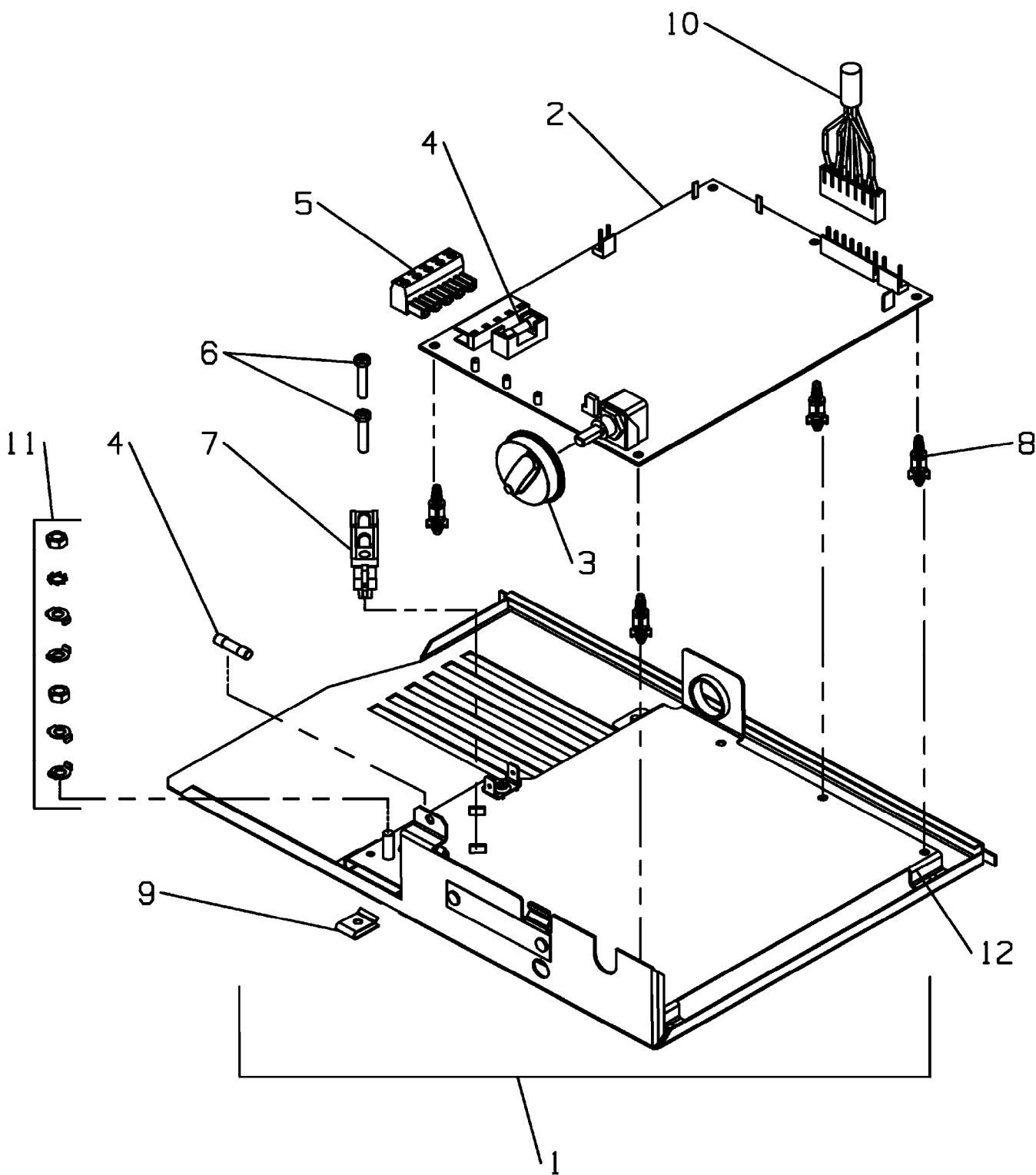
24CBI-FON

3





Spare parts list



6720900013.AA

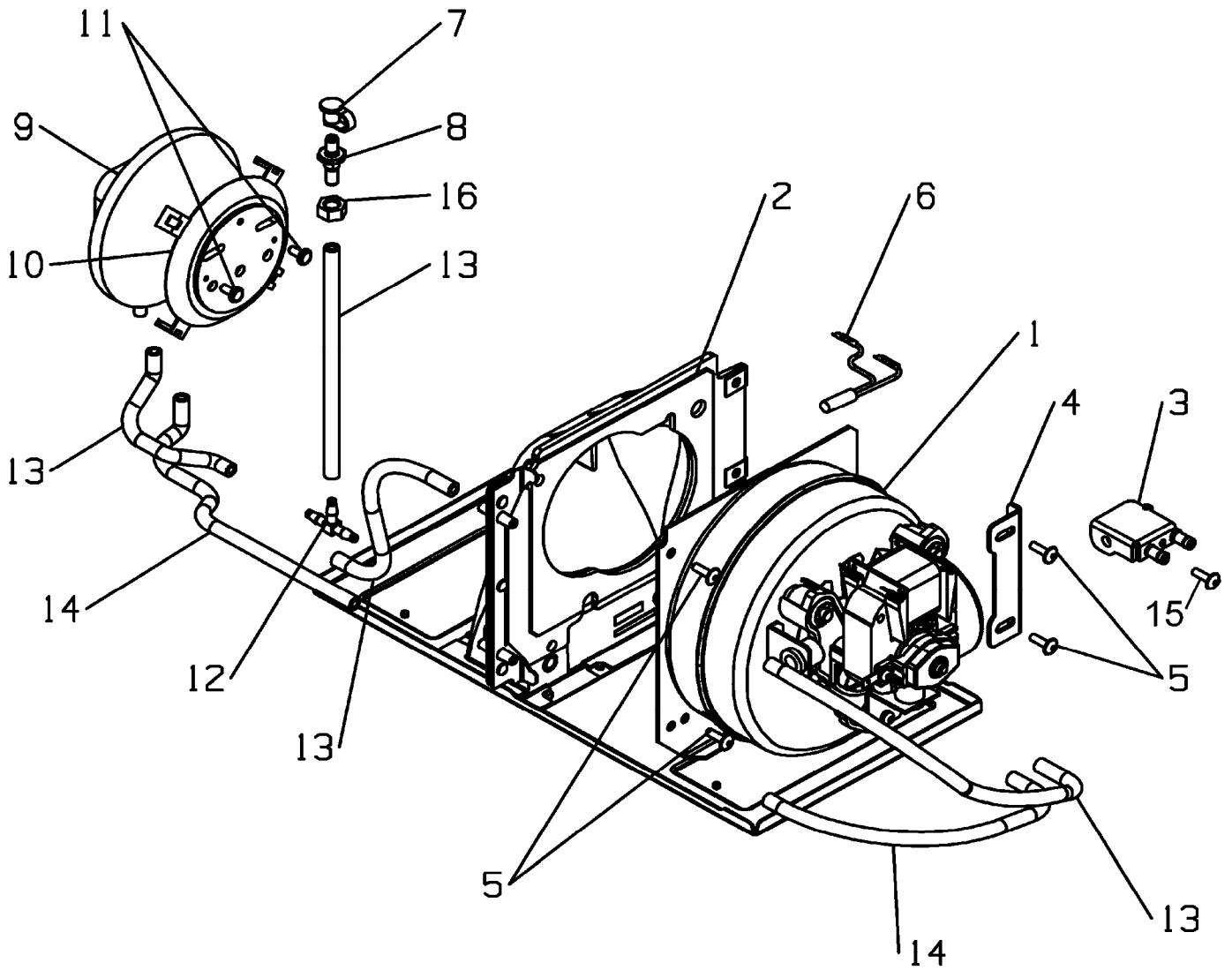
Electrical Box Assembly  
D

24CBI-FON

4

Pos	description	S-Nr	ordering no.	PG	gas type	24CBI-FON														remarks
1	Controls assembly		8 716 121 761 0	52	NG	■														
2	Control board		8 716 146 332 0		NG	■														
3	Control knob		8 716 141 245 0		NG	■														
4	Fuse 4a fast blow 20 x 5mm		8 716 156 008 0		NG	■														
5	Connector plug		8 716 146 278 0		NG	■														
6	Screw 4mmx20mm long p/p hd z/p		2 914 201 307 0		NG	■														
7	Cable clamp		8 716 141 252 0		NG	■														
8	Pcb support pillar		8 716 102 589 0		NG	■														
9	Nut Captive No:8		8 716 148 204 0	16	NG	■														
10	Harness main		8 716 121 784 0		NG	■														
11	Earth connector kit		8 716 101 795 0		NG	■														
12	Screw iso no 6b x 9.5 recessed		2 912 421 210 0	07	NG	■														
<b>24CBI-FON</b>			Electrical Box Assembly D															<b>4</b>		

Spare parts list



6720900012.AA

Fan / Pressure Switch  
D

24CBI-FON

5

Pos	description	S-Nr	ordering no.	PG	gas type	24CBI-FON													remarks
1	Fan assembly		8 716 146 465 0		NG	■													
2	Collector hood & fan assembly		8 716 103 155 0		NG	■													
3	Air flow sensor		8 716 141 000 0	18	NG	■													
4	Clamping plate		8 716 102 175 0		NG	■													
5	Screw no.8x1/2 f/h type b self tap.		2 912 421 225 0	16	NG	■													
6	Harness fan		8 716 121 785 0		NG	■													
7	Blanking cap red		8 716 141 211 0		NG	■													
8	Gas sensor connector		8 716 141 227 0		NG	■													
9	Air pressure switch		8 716 146 163 0		NG	■													
10	Bracket air pressure switch		8 716 141 251 0		NG	■													
11	Screw no4 x 9.5 pan hd pozi type a		2 912 402 005 0		NG	■													
12	T piece moulding ref 416teep		8 716 141 205 0	16	NG	■													
13	beige silicone tubing 5m long		8 716 101 080 0	27	NG	■													
14	Red silicone tubing 5m long		8 716 101 081 0	27	NG	■													
15	Screw iso no 6b x 9.5 recessed		2 912 421 210 0	07	NG	■													
16	Nut m8 full hex m/s zc pl		2 915 011 009 0	18	NG	■													

<b>24CBI-FON</b>		Fan / Pressure Switch D																	<b>5</b>	
------------------	--	----------------------------	--	--	--	--	--	--	--	--	--	--	--	--	--	--	--	--	----------	--

**ADDITIONAL SPARE PARTS  
FOR APPLIANCE  
NOT DRAWN**

9099

6720900999.AA

Additional Spare Part  
D

**9**

**24CBI-FON**

Pos	description	S-Nr	ordering no.	PG	gas type	24CBI-FON																remarks	
	Service kit 15/24cbi		8 716 101 799 0		NG	■																	
	Restrictor plate 86mm dia		8 716 101 843 0		NG	■																	
	Restrictor plate 80mm dia		8 716 101 845 0		NG	■																	
	Hardware lit pack 24kw		8 716 101 874 0		NG	■																	
	Restrictor plate 89mm dia		8 716 101 912 0		NG	■																	
	User instruction		8 716 145 315 0		NG	■																	
	Installation Instructions		8 716 145 316 0		NG	■																	
<b>24CBI-FON</b>			Additional Spare Part D																		<b>9</b>		

**List of translations**

Pos			
1			
2			
3			
4			
5			
6			
7			
8			
9			
10			
11			
12			
13			
14			
15			
16			
17			
18			
<b>2</b>			
1			
2			
3			
4			
5			
6			
7			
8			
9			
10			
11			
12			
13			
14			
15			
16			
17			
18			
19			
20			
<b>3</b>			
1			
2			
3			
4			
5			
6			
7			
8			
9			
10			
11			
12			
Pos			
13			
14			





**Types of appliances**

Appliance	ordering no.	Country remarks
<b>24CBI-FON-GB NG BOILER</b>	7 716 130 095	United Kingdom







