

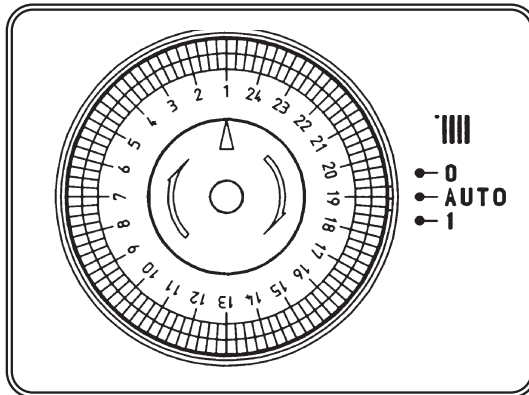


Bosch Group

7716 192 002

SINGLE-CHANNEL MECHANICAL TIMESWITCH FITTING & OPERATING INSTRUCTIONS

General information is given in the users instruction leaflet dispatched with the appliance and/or on the lighting instruction plate fitted on the appliance.



THESE INSTRUCTIONS APPLY IN THE U.K. ONLY

THESE INSTRUCTIONS ARE TO BE LEFT WITH THE USER OR AT THE APPLIANCE

Gas Safety (Installation and Use) Regulations 1984 : All gas appliances must be installed by a competent person, in accordance with the above regulations. Failure to install the appliance correctly could lead to prosecution. The manufacturers notes must not be taken, in any way, as overriding statutory obligations.

IMPORTANT: Read these instructions carefully in order to get the best from your appliance.

WARNING: This appliance must be earthed and protected by a 3A fuse if a 13A plug is used, or, if any other type of plug is used, by a 5A fuse either in the plug or adaptor or at the distribution board.

TIMESWITCH

24 hour single channel mechanical timeswitch. User maintenance is not possible.

CONTROL

Any number of ON and OFF periods can be chosen within a 24 hour period.

There will be at least a 15 minute separation between the operations.

TO FIT THE TIMESWITCH

Switch off the power supply to the appliance before starting work.

Unscrew the three screws securing the lower fascia panel and remove the panel.

Lower the control panel as described in the instruction book.

Remove the fascia cover plate by releasing the clips at the rear right-hand side and withdraw it from the front.

Feed the electrical lead from the timeswitch through the fascia to exit underneath it, and fit the timeswitch by hooking the top two lugs up into the fascia slots and then push the bottom two clips until they snap into position.

CDi BOILER: Connect the leads to the room/frost thermostat connection, after removing the link, at the left-hand side of the control panel (see diagram). Check that the leads are properly engaged in the connector block and that no loose wires are showing.

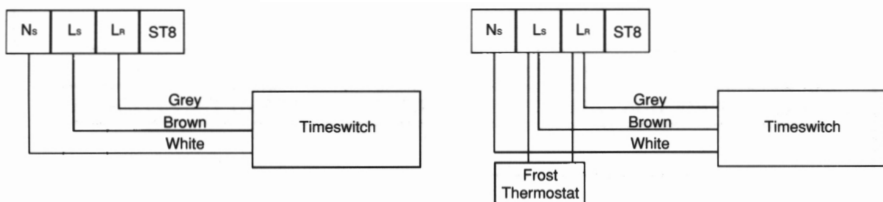
i BOILER: Connect the leads to the clock connection, after removing the link, at the left-hand side of the control panel (see diagram). Check that the leads are properly engaged in the connector block and that no loose wires are showing.

Note: CDi Boilers only.

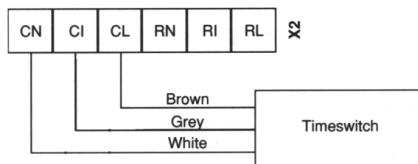
If the timeswitch is being fitted to an appliance which already has a room thermostat fitted to it then the thermostat connections must be altered. The unswitched live to the room thermostat must be moved from connection Ls to ST8 with the timeswitch grey lead. (See Wiring Diagram). Using the P-clip supplied secure the lead to the fascia (the P-clip can be screwed to the fascia using one of the holes in the fascia for securing the cable clamp which would be used if an external programmer was fitted).

Refit the control panel and the lower panel before switching on the power supply.

CDi WIRING DIAGRAMS

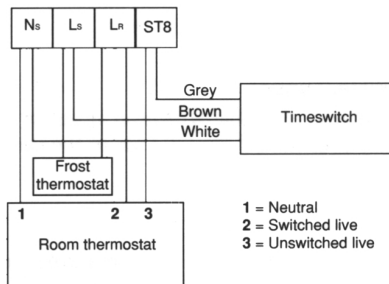
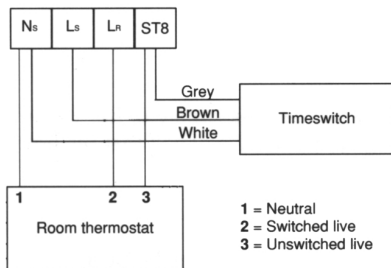


i WIRING DIAGRAM



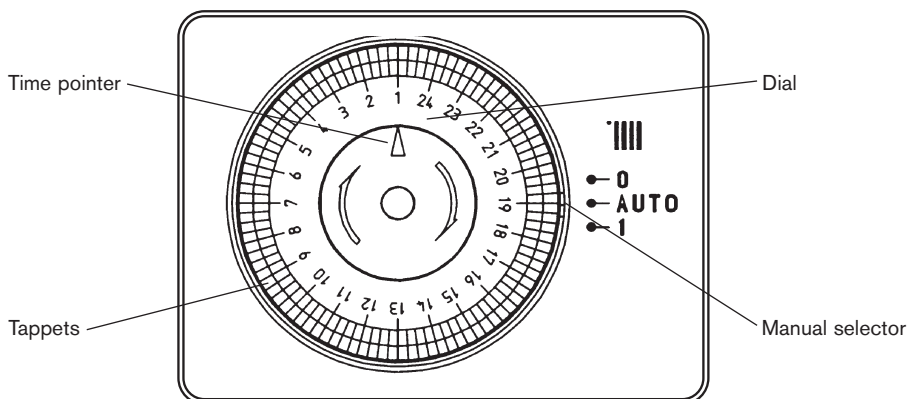
TO REPLACE TIMESWITCH - CDI

Follow the preceding instructions.



TO SET THE TIMESWITCH

The timeswitch controls the operation of the central heating circuit. The domestic hot water is permanently available upon demand and will take priority over the supply of heat to the system during the demand.



Check that the gas supply to the appliance is OFF and that the room thermostat, if fitted, is at minimum to prevent the accidental operation of the appliance during the initial setting of the timeswitch. It is not necessary to do this when making adjustments to the timeswitch at a later date. Check that all taps and showers are shut.

Switch on the power supply.

TO SET THE CLOCK

Turn the dial clockwise until the correct time of day is at the pointer.

TO SET THE SWITCH

To set the ON periods push the grey tappets towards the centre from the start of the period until the end of each period.

OPERATIONAL NOTES

Switching:

The switching options for the central heating are

- | | |
|-------------|---|
| OFF | Off all the time |
| AUTO | On and Off as selected by the adjustment of the tappets |
| ON | On all the time. |

Hot Water Supply:

Hot water is available whenever a tap or shower is turned on. The supply of hot water takes priority over the delivery of heat to the central heating system for the period that the hot water is required.

Temperature Control:

The **Central Heating** water temperature is controlled by the centre knob on the fascia. The **Domestic Hot Water** temperature is controlled by the right-hand knob on the fascia up to a pre-set maximum. (CDi only).

TO LIGHT AND STOP THE APPLIANCE

Refer to the User operating instruction leaflet or the lighting instruction plate on the appliance.



WORCESTER HEAT SYSTEMS LTD (Bosch Group) Cotswold Way, Warndon, Worcester WR4 9SW.

Tel: 01905 754624 Fax: 01905 754619

www.worcester-bosch.co.uk

This booklet is accurate at the date of printing but will be superseded and should be disregarded if specifications and/or appearances are changed in the interests of continued improvement.

All goods sold are subject to our official Conditions of Sale, a copy of which may be obtained on application

PUBLICATION ZKLIT998 – ISSUE E SEPTEMBER 2001