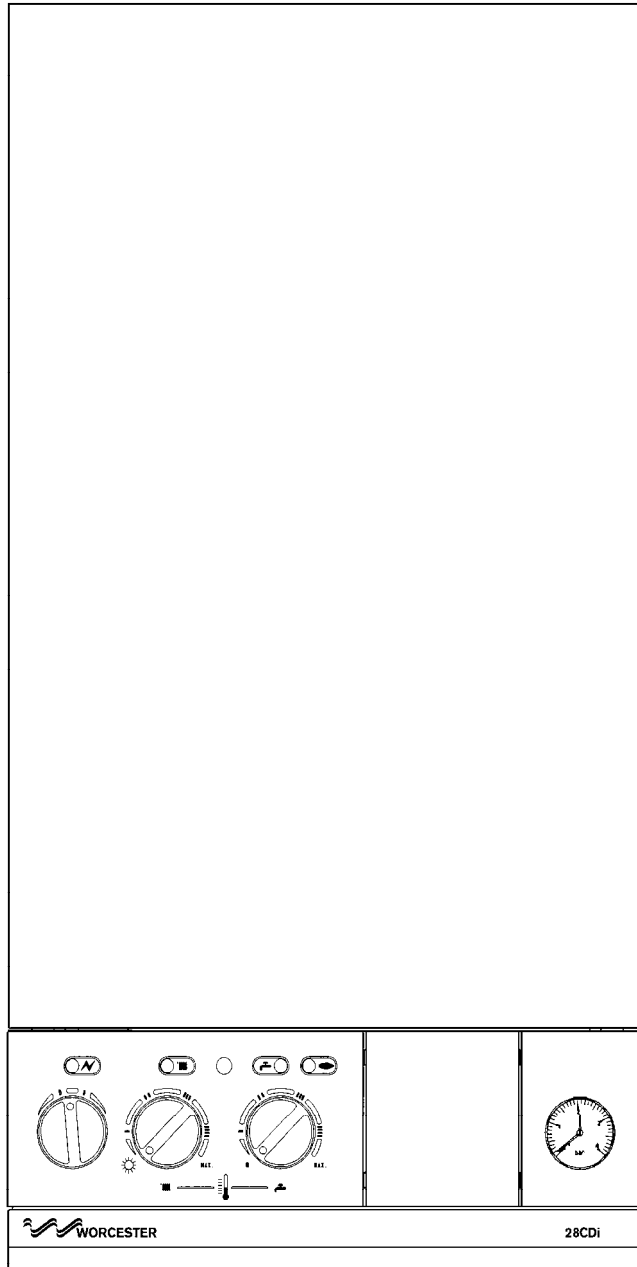


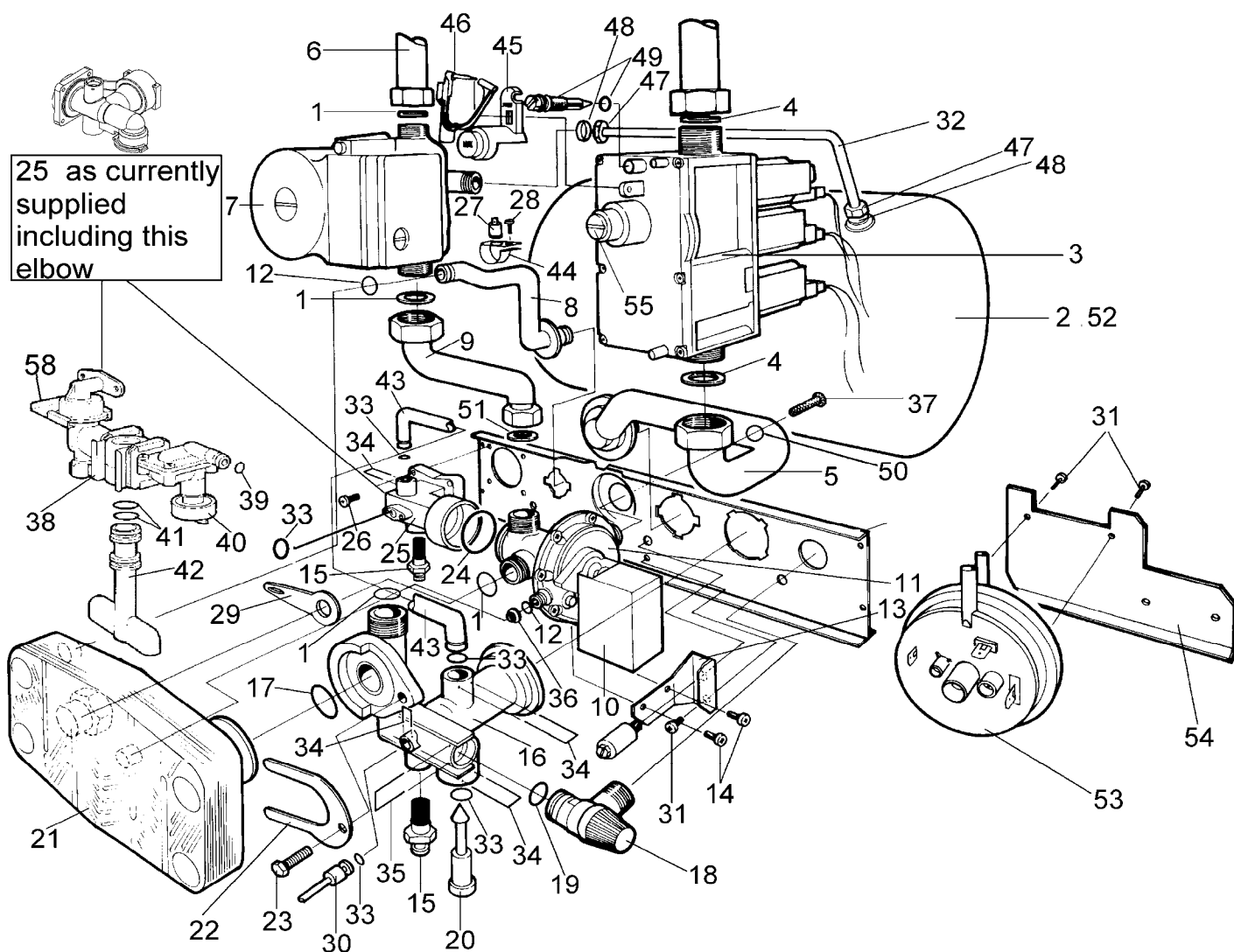
28CDI



- 1 Pump & Hydraulic Assy
- 2 Superstructure
- 2A Superstructure (Simplefit)
- 3 Electrical Box Assy
- 4 Casing
- 5 Wall Mounting Assy
- 9 Additional Spare Part

6720900070.AA

Spare parts list



6720900071.AC

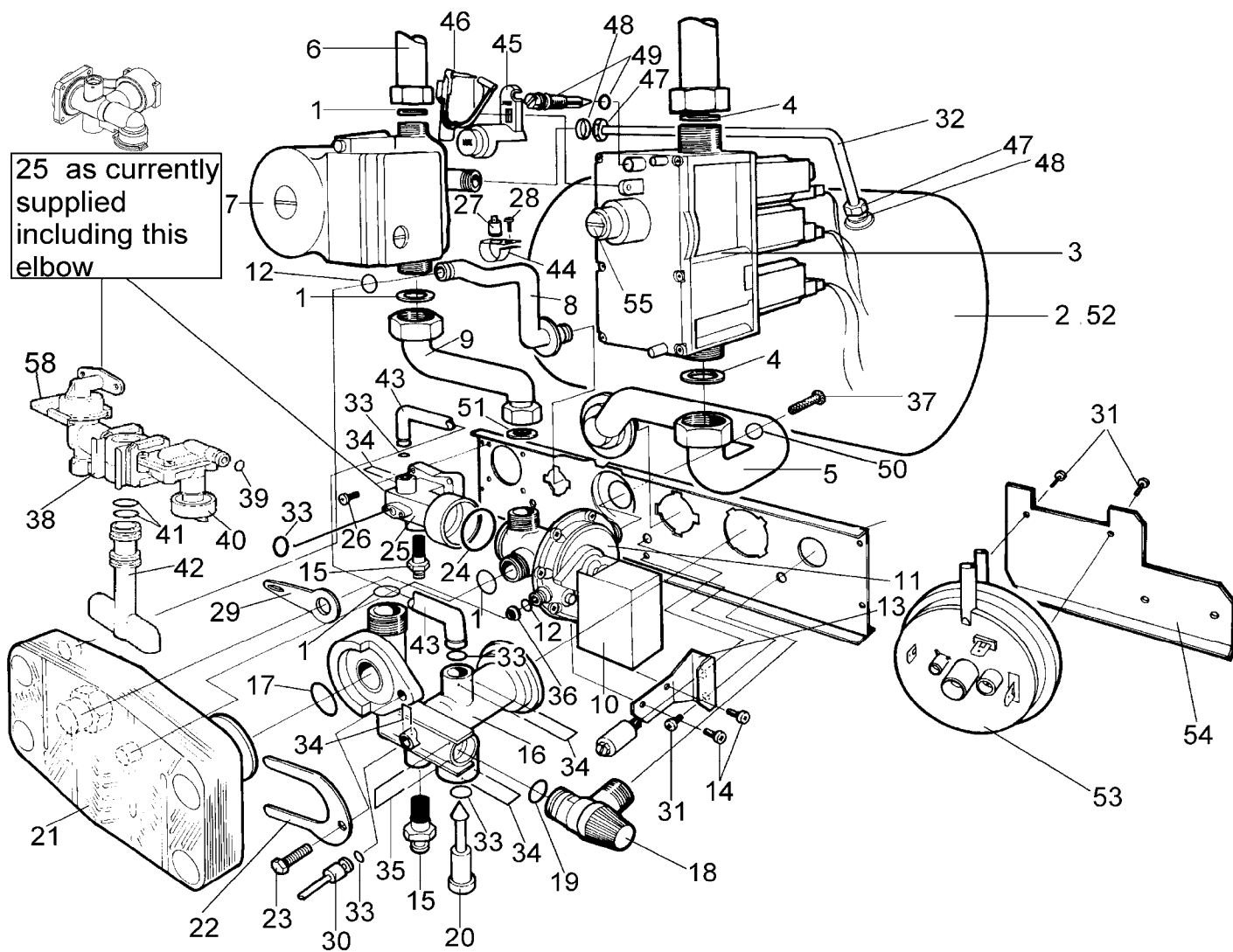
Pump / Hydraulic assy
D

28CDI - L FSP 28CDI-FSN

1

Pos	description	S-Nr	ordering no.	PG	gas type	28CDI - L FSP	28CDI-FSN											remarks
1	washer 30.5x22.2x1.5		8 716 140 920 0	13	LPG	■												
1	washer 30.5x22.2x1.5		8 716 140 920 0	13	NG		■											
2	Expansion vessel 10 litres		8 716 142 500 0	51	LPG	■												
2	Expansion vessel 10 litres		8 716 142 500 0	51	NG		■											
3	Gas valve- Dungs ref: 239		8 716 102 673 0	47	NG		■											
3	Gas valve Dungs lpg		8 716 102 868 0	47	LPG	■												
4	Washer fibre 24.0 x 16.0 x 1.5		8 716 140 900 0	07	LPG	■												
4	Washer fibre 24.0 x 16.0 x 1.5		8 716 140 900 0	07	NG		■											
5	Pipe - gas inlet complete		8 716 143 069 0		LPG	■												
5	Pipe - gas inlet complete		8 716 143 069 0		NG		■											
6	Pipe - primary flow		8 716 120 123 0	30	LPG	■												
6	Pipe - primary flow		8 716 120 123 0	30	NG		■											
7	Pump grundfos 59506607		8 716 143 108 0	53	LPG	■												
7	Pump grundfos 59506607		8 716 143 108 0	53	NG		■											
8	Pipe - domestic outlet		8 716 120 044 0	35	LPG	■												
8	Pipe - domestic outlet		8 716 120 044 0	35	NG		■											
9	Pipe - pump outlet		8 716 120 045 0	30	LPG	■												
9	Pipe - pump outlet		8 716 120 045 0	30	NG		■											
10	Diverter valve switch assembly		8 716 146 100 0	35	LPG	■												
10	Diverter valve switch assembly		8 716 146 100 0	35	NG		■											
11	Diverter valve v37 uk		8 716 156 746 0	50	LPG	■												
11	Diverter valve v37 uk		8 716 156 746 0	50	NG		■											
12	O-Ring 2.62 x 11.91 id nitrile		8 716 140 802 0	15	LPG	■												
12	O-Ring 2.62 x 11.91 id nitrile		8 716 140 802 0	15	NG		■											
13	Diverter retainer		8 716 100 036 0	09	LPG	■												
13	Diverter retainer		8 716 100 036 0	09	NG		■											
14	Screw m4x8mm taptite zc pl p/h		2 914 411 412 0	03	LPG	■												
14	Screw m4x8mm taptite zc pl p/h		2 914 411 412 0	03	NG		■											
15	Drain Screw assembly		8 716 120 037 0	21	LPG	■												
15	Drain Screw assembly		8 716 120 037 0	21	NG		■											
16	Return connector		8 716 141 020 0	36	LPG	■												
16	Return connector		8 716 141 020 0	36	NG		■											
17	O-Ring 3.0 x 25.5 id ep50		8 716 140 803 0	07	LPG	■												
17	O-Ring 3.0 x 25.5 id ep50		8 716 140 803 0	07	NG		■											
18	Pressure relief valve 312438		8 716 142 404 0	23	LPG	■												
18	Pressure relief valve 312438		8 716 142 404 0	23	NG		■											
19	O-ring 16x2 (x1)		8 716 115 675 0		LPG	■												
19	O-ring 16x2 (x1)		8 716 115 675 0		NG		■											
19	O-Ring 2.0 X 16.00 ID EP (10x)		8 716 140 814 0	15	LPG	■												
19	O-Ring 2.0 X 16.00 ID EP (10x)		8 716 140 814 0	15	NG		■											
20	By pass Screw		8 716 140 202 0	18	LPG	■												
20	By pass Screw		8 716 140 202 0	18	NG		■											
21	Plate heat exchanger pwv 14e		8 716 142 903 0		LPG	■												
21	Plate heat exchanger pwv 14e		8 716 142 903 0		NG		■											
22	Clip - retaining		8 716 148 302 0	14	LPG	■												
22	Clip - retaining		8 716 148 302 0	14	NG		■											
23	Retaining clip Screw		8 716 140 105 0	23	LPG	■												
23	Retaining clip Screw		8 716 140 105 0	23	NG		■											
24	O-ring 27.5 x 3.00		8 716 102 293 0	03	LPG	■												
24	O-ring 27.5 x 3.00		8 716 102 293 0	03	NG		■											
25	Flow Manifold		8 716 105 093 0	30	LPG	■												
25	Flow Manifold		8 716 105 093 0	30	NG		■											
28CDI - L FSP 28CDI-FSN			Pump / Hydraulic assy D															1

Spare parts list



6720900071.AC

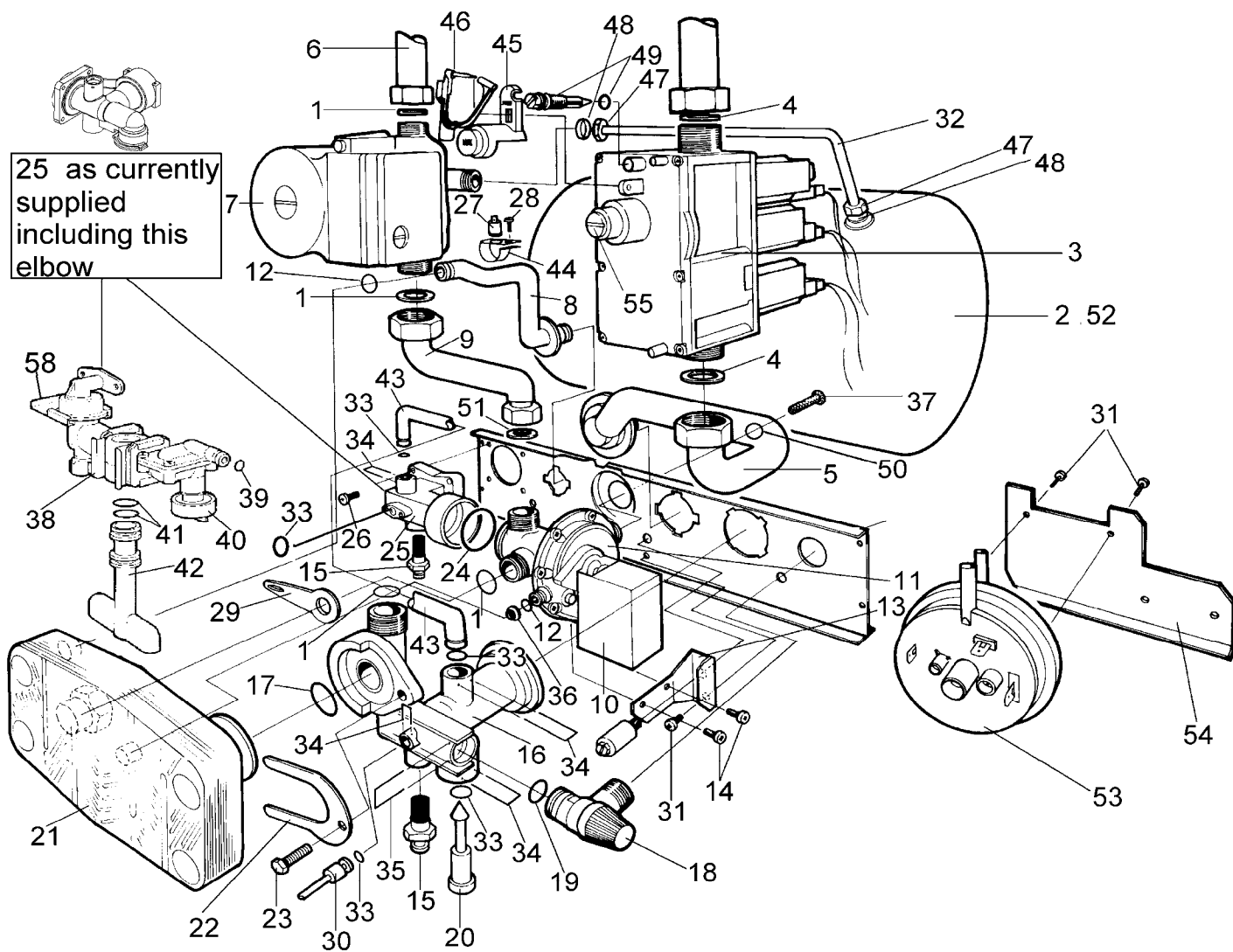
Pump / Hydraulic assy
D

28CDI - L FSP 28CDI-FSN

1

Pos	description	S-Nr	ordering no.	PG	gas type	28CDI - L FSP	28CDI-FSN											remarks
26	Screw m4 x 12mm taptite zc pl ph		2 914 411 404 0	02	LPG	■												
26	Screw m4 x 12mm taptite zc pl ph		2 914 411 404 0	02	NG		■											
27	Central heating sensor (pps)		8 716 142 384 0	29	LPG	■												
27	Central heating sensor (pps)		8 716 142 384 0	29	NG		■											
28	Screw no.8x1/2 f/h type b self tap.		2 912 421 225 0	16	LPG	■												
28	Screw no.8x1/2 f/h type b self tap.		2 912 421 225 0	16	NG		■											
29	Retaining bracket		8 716 100 086 0	26	LPG	■												
29	Retaining bracket		8 716 100 086 0	26	NG		■											
30	Pressure gauge 4 bar dark grey		8 716 142 300 0		LPG	■												
30	Pressure gauge 4 bar dark grey		8 716 142 300 0		NG		■											
31	Screw iso no 6b x 9.5 recessed		2 912 421 210 0	07	LPG	■												
31	Screw iso no 6b x 9.5 recessed		2 912 421 210 0	07	NG		■											
32	Pipe - expansion vessel		8 716 100 093 0	17	LPG	■												
32	Pipe - expansion vessel		8 716 100 093 0	17	NG		■											
33	O-ring 7x2,5		8 716 140 817 0	22	LPG	■												
33	O-ring 7x2,5		8 716 140 817 0	22	NG		■											
34	Clip		8 716 148 301 0	03	LPG	■												
34	Clip		8 716 148 301 0	03	NG		■											
35	Wireform spring		8 716 148 310 0	17	LPG	■												
35	Wireform spring		8 716 148 310 0	17	NG		■											
36	Flow limiter insert 10lt		8 716 141 057 0	18	LPG	■												
36	Flow limiter insert 10lt		8 716 141 057 0	18	NG		■											
37	Water filter mpmv3326 st.st.		8 716 148 400 0	30	LPG	■												
37	Water filter mpmv3326 st.st.		8 716 148 400 0	30	NG		■											
38	Charging link assembly		8 716 105 103 0	48	LPG	■												
38	Charging link assembly		8 716 105 103 0	48	NG		■											
39	O-Ring 1.60 x 7.10 id ep		8 716 140 807 0	17	LPG	■												
39	O-Ring 1.60 x 7.10 id ep		8 716 140 807 0	17	NG		■											
40	Valve spindle knob assy - grey		8 716 121 109 0	24	LPG	■												
40	Valve spindle knob assy - grey		8 716 121 109 0	24	NG		■											
41	O-Ring 3.00 x 19.00 id epdm		8 716 140 816 0	17	LPG	■												
41	O-Ring 3.00 x 19.00 id epdm		8 716 140 816 0	17	NG		■											
42	Charging link key		8 716 121 107 0	30	LPG	■												
42	Charging link key		8 716 121 107 0	30	NG		■											
43	Pipe - by pass		8 716 120 051 0	36	LPG	■												
43	Pipe - by pass		8 716 120 051 0	36	NG		■											
44	Clip - domestic h.w. thermistor		8 716 148 309 0	12	LPG	■												
44	Clip - domestic h.w. thermistor		8 716 148 309 0	12	NG		■											
45	Covering sheet		8 710 506 182 0	16	LPG	■												
45	Covering sheet		8 710 506 182 0	16	NG		■											
46	Security tag black		8 712 305 077 0	15	LPG	■												
46	Security tag black		8 712 305 077 0	15	NG		■											
47	Nut 10mm compression		8 716 140 226 0	13	LPG	■												
47	Nut 10mm compression		8 716 140 226 0	13	NG		■											
48	10mm compression ring		8 716 140 227 0	18	LPG	■												
48	10mm compression ring		8 716 140 227 0	18	NG		■											
49	Setting Screw		8 743 404 290 0	11	LPG	■												
49	Setting Screw		8 743 404 290 0	11	NG		■											
50	O-Ring 2.5 x 10.0 id ep50		8 716 140 848 0		LPG	■												
50	O-Ring 2.5 x 10.0 id ep50		8 716 140 848 0		NG		■											
51	Fibre washer 23.9 X 17.2 X 1.5 (10x)		8 710 103 043 0	12	LPG	■												
51	Fibre washer 23.9 X 17.2 X 1.5 (10x)		8 710 103 043 0	12	NG		■											
28CDI - L FSP 28CDI-FSN			Pump / Hydraulic assy D															1

Spare parts list



6720900071.AC

Pump / Hydraulic assy
D

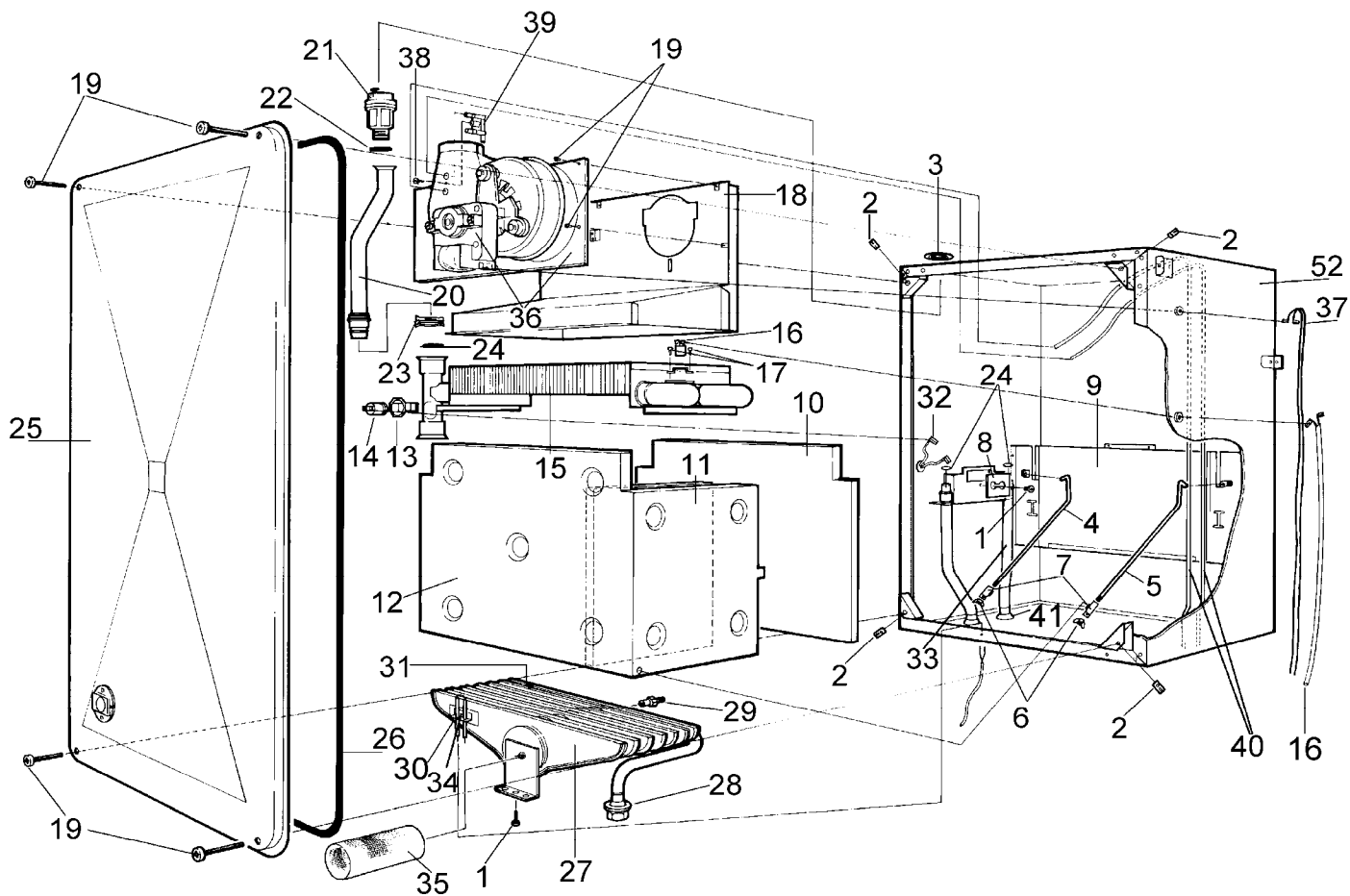
28CDI - L FSP 28CDI-FSN

1

Pos	description	S-Nr	ordering no.	PG	gas type	28CDI - L FSP	28CDI-FSN														remarks
51	Washer 23.9 x 17.2 x 1.5 (X1)		8 716 115 674 0		LPG	■															
51	Washer 23.9 x 17.2 x 1.5 (X1)		8 716 115 674 0		NG		■														
52	Cable tie 763mm ntb190h		8 716 141 064 0		LPG	■															
52	Cable tie 763mm ntb190h		8 716 141 064 0		NG		■														
53	Pressure differential		8 716 146 153 0	37	LPG	■															
53	Pressure differential		8 716 146 153 0	37	NG		■														
54	Bracket-pressure switch		8 716 100 008 0	30	LPG	■															
54	Bracket-pressure switch		8 716 100 008 0	30	NG		■														
55	Sealing screw		8 743 406 145 0	20	LPG	■															
55	Sealing screw		8 743 406 145 0	20	NG		■														
58	Clip - charging link		8 716 148 307 0		LPG	■															
58	Clip - charging link		8 716 148 307 0		NG		■														
59	Lower cross support		8 716 100 055 0	25	LPG	■															
59	Lower cross support		8 716 100 055 0	25	NG		■														
	Washer - fibre pack		7 716 192 205 0		LPG	■															
	Washer - fibre pack		7 716 192 205 0		NG		■														
	Bracket-gas valve		8 716 100 007 0		LPG	■															
	Bracket-gas valve		8 716 100 007 0		NG		■														
	Circlip diverter valve		8 716 105 433 0		LPG	■															
	Circlip diverter valve		8 716 105 433 0		NG		■														
	Cap diverter valve		8 716 105 434 0		LPG	■															
	Cap diverter valve		8 716 105 434 0		NG		■														
	O - Ring pack CDi		8 716 108 072 0	29	LPG	■															
	O - Ring pack CDi		8 716 108 072 0	29	NG		■														
	Manifold & diverter assembly		8 716 120 331 0		LPG	■															
	Manifold & diverter assembly		8 716 120 331 0		NG		■														
28CDI - L FSP 28CDI-FSN			Pump / Hydraulic assy D																	1	

Spare parts list

VERSION CODES:ALB,AOF,AQT,ASB,ASO,APU,AQJ ARD,AQA,ARI,ASF,ALC AOG,AQU,ASC,ASP,APV AQK,ARF,AQB,ARJ



6720900072.AB

Superstructure
D

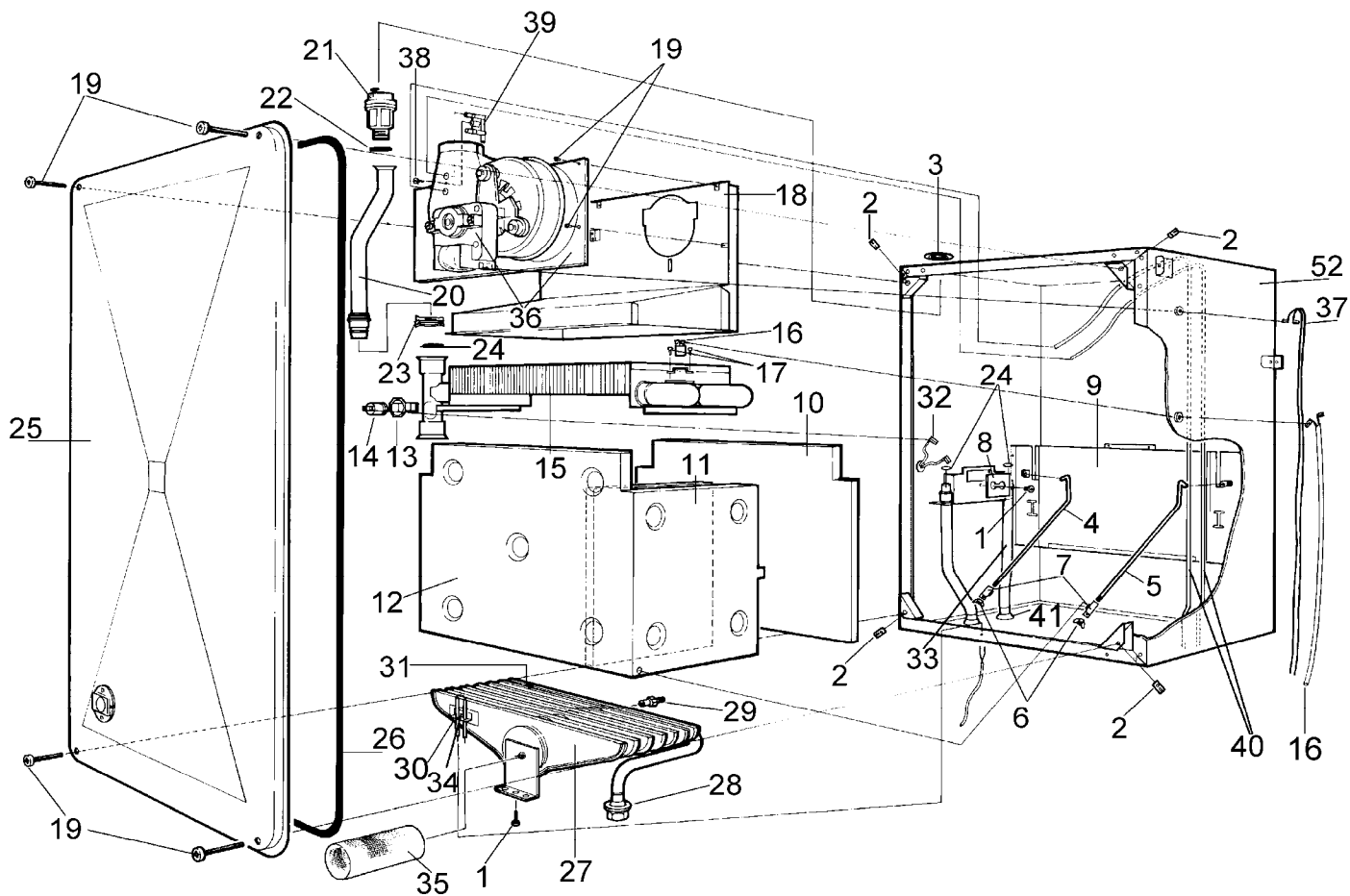
2

28CDI - L FSP 28CDI-FSN

Pos	description	S-Nr	ordering no.	PG	gas type	28CDI - L FSP	28CDI-FSN											remarks
1	Screw m4x10mm taptite Scr zc pl p/h		2 914 411 408 0		LPG	■												
1	Screw m4x10mm taptite Scr zc pl p/h		2 914 411 408 0		NG	■												
2	Nut Captive No:8		8 716 148 204 0	16	LPG	■												
2	Nut Captive No:8		8 716 148 204 0	16	NG	■												
3	Seal-air vent		8 716 140 704 0	19	LPG	■												
3	Seal-air vent		8 716 140 704 0	19	NG	■												
4	Retaining bolt lh		8 716 148 200 0	17	LPG	■												
4	Retaining bolt lh		8 716 148 200 0	17	NG	■												
5	Retaining bolt rh		8 716 148 201 0	18	LPG	■												
5	Retaining bolt rh		8 716 148 201 0	18	NG	■												
6	Nut-wing m5 ms zn pl table 2		2 915 191 105 0	15	LPG	■												
6	Nut-wing m5 ms zn pl table 2		2 915 191 105 0	15	NG	■												
7	Retaining bolt guide		8 716 100 097 0	30	LPG	■												
7	Retaining bolt guide		8 716 100 097 0	30	NG	■												
8	Heat ex. retainer		8 716 100 045 0	30	LPG	■												
8	Heat ex. retainer		8 716 100 045 0	30	NG	■												
9	Combustion rear insulation		8 716 142 201 0	23	LPG	■												
9	Combustion rear insulation		8 716 142 201 0	23	NG	■												
10	Combustion front insulation		8 716 142 200 0	23	LPG	■												
10	Combustion front insulation		8 716 142 200 0	23	NG	■												
11	Combustion side insulation		8 716 142 202 0	23	LPG	■												
11	Combustion side insulation		8 716 142 202 0	23	NG	■												
12	Combustion chamber front-sides		8 716 100 021 0	40	LPG	■												
12	Combustion chamber front-sides		8 716 100 021 0	40	NG	■												
13	Primary h.w. thermistor clip		8 716 148 303 0	12	LPG	■												
13	Primary h.w. thermistor clip		8 716 148 303 0	12	NG	■												
14	Ntc/thermister dhw		8 716 142 302 0	17	LPG	■												
14	Ntc/thermister dhw		8 716 142 302 0	17	NG	■												
15	Gas-water heat exchanger		8 716 142 800 0	55	LPG	■												
15	Gas-water heat exchanger		8 716 142 800 0	55	NG	■												
16	Overheat thermostat		8 716 142 303 0	39	LPG	■												
16	Overheat thermostat		8 716 142 303 0	39	NG	■												
17	Screw m3x6mm zc pl p/h taptite		2 914 411 411 0	18	LPG	■												
17	Screw m3x6mm zc pl p/h taptite		2 914 411 411 0	18	NG	■												
18	Flue hood assembly rsf		8 716 120 242 0		LPG	■												
18	Flue hood assembly rsf		8 716 120 242 0		NG	■												
19	Screw no.8x1/2 f/h type b self tap.		2 912 421 225 0	16	LPG	■												
19	Screw no.8x1/2 f/h type b self tap.		2 912 421 225 0	16	NG	■												
20	Pipe - air vent		8 716 120 047 0	33	LPG	■												
20	Pipe - air vent		8 716 120 047 0	33	NG	■												
21	Air-vent automatic 3/8 (ss kit)		8 716 140 500 0	35	LPG	■												
21	Air-vent automatic 3/8 (ss kit)		8 716 140 500 0	35	NG	■												
22	O-ring 2.62 X 15.54 id ep		8 716 140 805 0	15	LPG	■												
22	O-ring 2.62 X 15.54 id ep		8 716 140 805 0	15	NG	■												
23	Clamp spring		8 716 148 317 0	02	LPG	■												
23	Clamp spring		8 716 148 317 0	02	NG	■												
24	O-ring 2.62 X 17.86		8 716 140 806 0	15	LPG	■												
24	O-ring 2.62 X 17.86		8 716 140 806 0	15	NG	■												
25	Inner casing cover assembly		8 716 120 254 0	39	LPG	■												
25	Inner casing cover assembly		8 716 120 254 0	39	NG	■												
26	Seal		8 716 100 640 0	26	LPG	■												
26	Seal		8 716 100 640 0	26	NG	■												
28CDI - L FSP 28CDI-FSN			Superstructure D															2

Spare parts list

VERSION CODES:ALB,AOF,AQT,ASB,ASO,APU,AQJ ARD,AQA,ARI,ASF,ALC AOG,AQU,ASC,ASP,APV AQK,ARF,AQB,ARJ



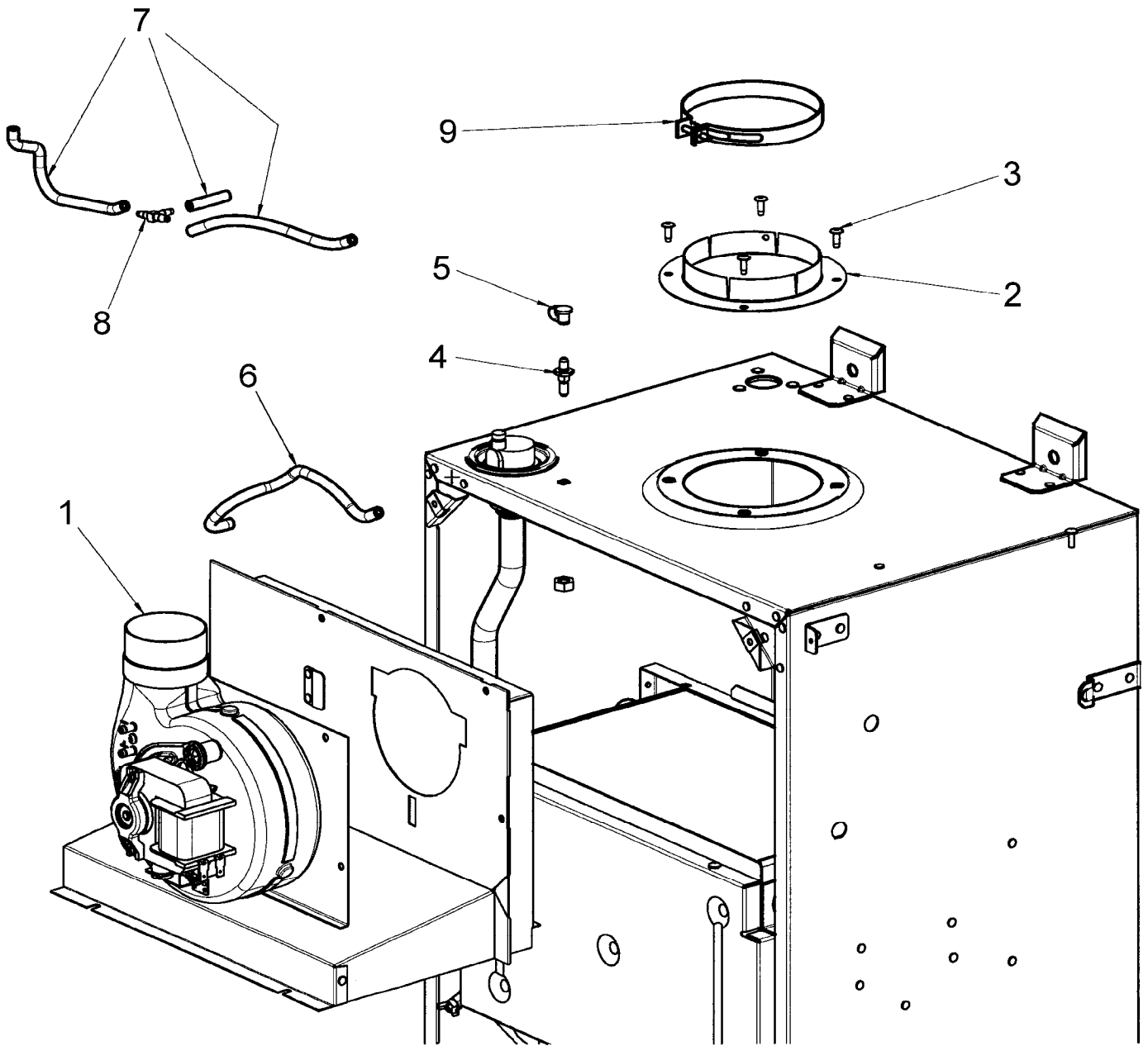
6720900072.AB

Superstructure
D

28CDI - L FSP 28CDI-FSN

2

Spare parts list



VERSION CODES: ASO,ASP

6720900073.AA

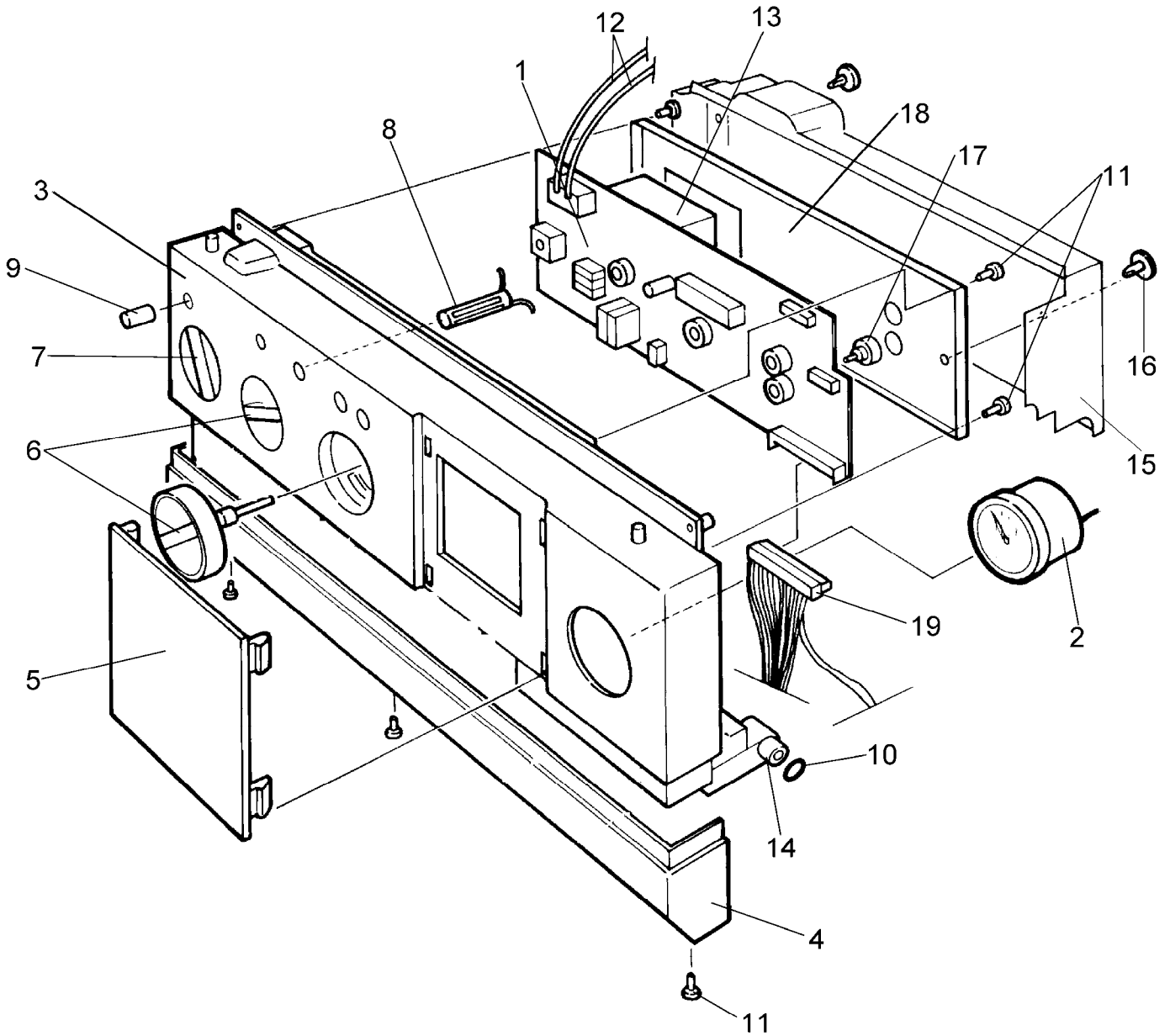
Superstructure (Simplefit)

2
D
A

28CDI - L FSP 28CDI-FSN

Pos	description	S-Nr	ordering no.	PG	gas type	28CDI - L FSP	28CDI-FSN													remarks
1	Fan assembly		8 716 120 282 0		LPG	■														
1	Fan assembly		8 716 120 282 0		NG		■													
2	Flue spigot		8 716 101 592 0		LPG	■														
2	Flue spigot		8 716 101 592 0		NG		■													
3	Screw no.8x12 hex pozi		8 716 155 073 0		LPG	■														
3	Screw no.8x12 hex pozi		8 716 155 073 0		NG		■													
4	Flue sampling tube kit		8 716 140 249 0	18	LPG	■														
4	Flue sampling tube kit		8 716 140 249 0	18	NG		■													
5	Blanking cap red		8 716 141 211 0		LPG	■														
5	Blanking cap red		8 716 141 211 0		NG		■													
6	beige silicone tubing 5m long		8 716 101 080 0	27	LPG	■														
6	beige silicone tubing 5m long		8 716 101 080 0	27	NG		■													
7	Red silicone tubing 5m long		8 716 101 081 0	27	LPG	■														
7	Red silicone tubing 5m long		8 716 101 081 0	27	NG		■													
8	T piece moulding ref 416teep		8 716 141 205 0	16	LPG	■														
8	T piece moulding ref 416teep		8 716 141 205 0	16	NG		■													
9	Air duct strap		8 716 148 210 0		LPG	■														
9	Air duct strap		8 716 148 210 0		NG		■													
	Impeller for fan		8 716 141 220 0		LPG	■														
	Impeller for fan		8 716 141 220 0		NG		■													
28CDI - L FSP 28CDI-FSN			Superstructure (Simplefit) D																2A	

Spare parts list



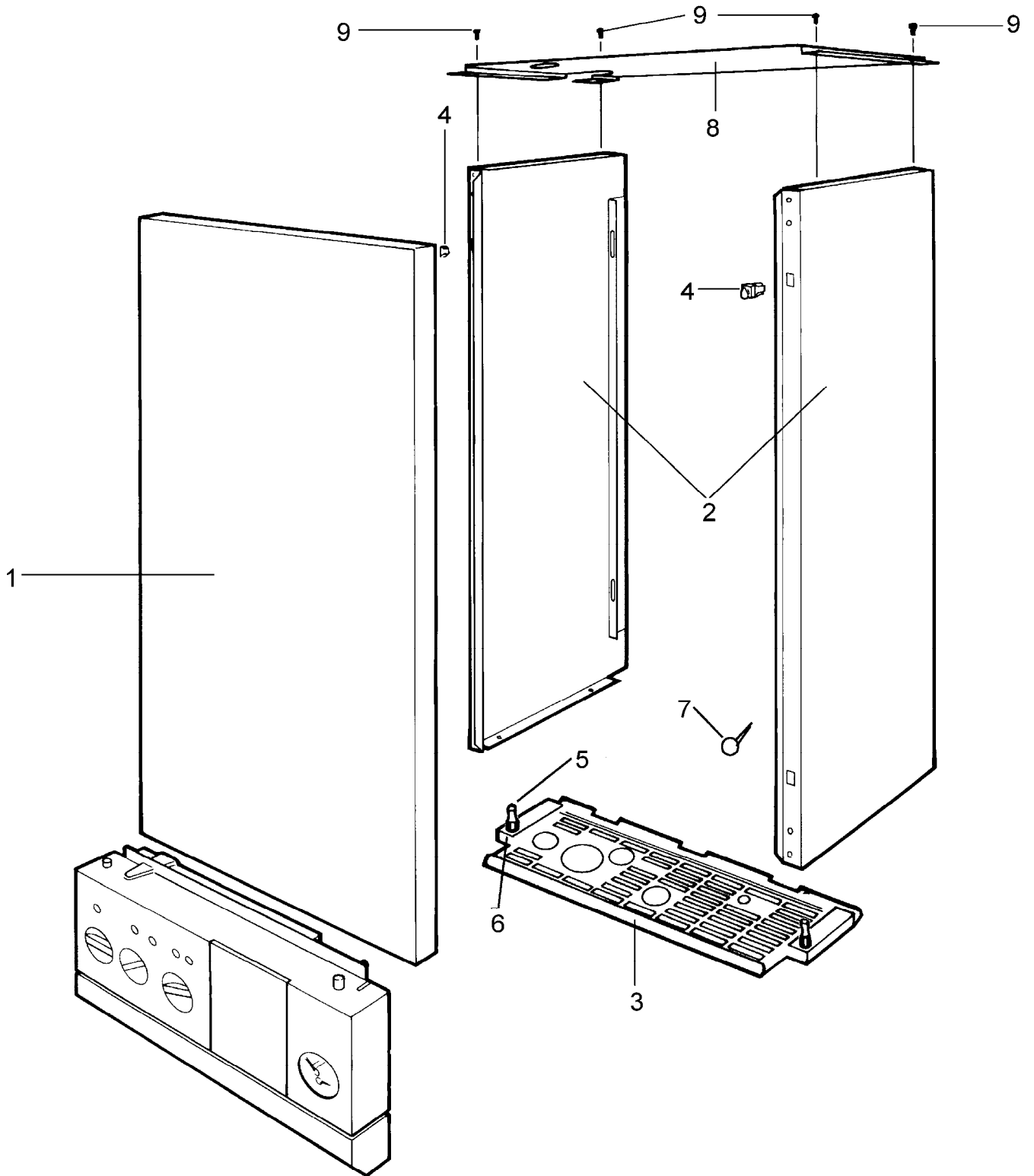
6720900066.AA

Electrical Box Assembly
D

28CDI - L FSP 28CDI-FSN

3

Spare parts list



6720900067.AA

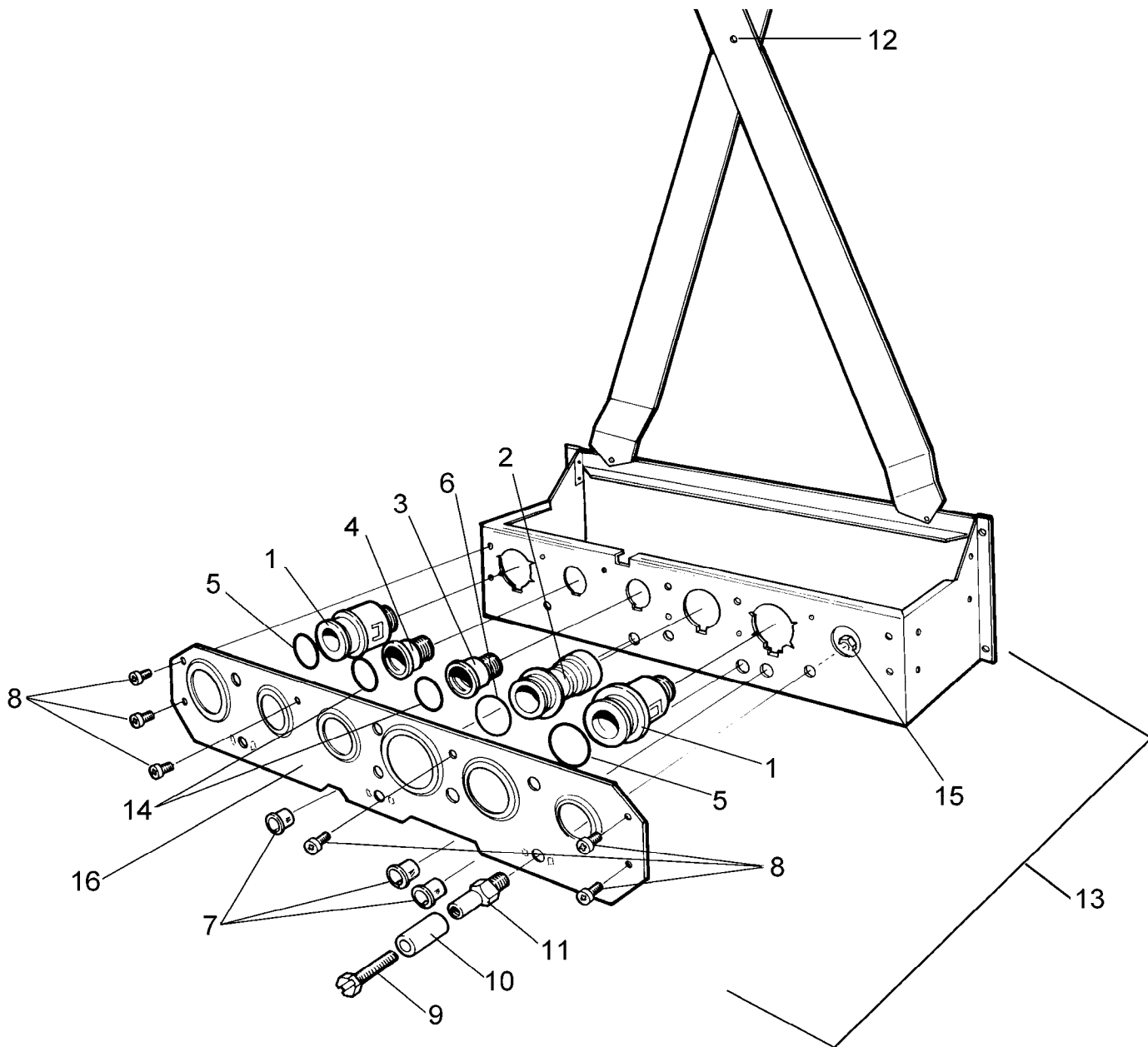
Casing
D

28CDI - L FSP 28CDI-FSN

4

Pos	description	S-Nr	ordering no.	PG	gas type	28CDI - L FSP	28CDI-FSN																			remarks
1	Cabinet front panel painted		8 716 100 994 0	50	LPG	■																				
1	Cabinet front panel painted		8 716 100 994 0	50	NG		■																			
2	Cabinet side panel painted		8 716 100 995 0	40	LPG	■																				
2	Cabinet side panel painted		8 716 100 995 0	40	NG		■																			
3	Cabinet bottom panel assembly		8 716 120 033 0	50	LPG	■																				
3	Cabinet bottom panel assembly		8 716 120 033 0	50	NG		■																			
4	Retaining button (5 pack)		8 716 141 035 0	16	LPG	■																				
4	Retaining button (5 pack)		8 716 141 035 0	16	NG		■																			
5	Stud 2ba brass ball new design		8 716 140 512 0	08	LPG	■																				
5	Stud 2ba brass ball new design		8 716 140 512 0	08	NG		■																			
6	Nut 2ba flat black m/s		8 716 155 002 0	05	LPG	■																				
6	Nut 2ba flat black m/s		8 716 155 002 0	05	NG		■																			
7	M4 x 16 lg pozi pan hd taptite		8 716 155 045 0		LPG	■																				
7	M4 x 16 lg pozi pan hd taptite		8 716 155 045 0		NG		■																			
8	Cabinet top panel rsf		8 716 100 998 0		LPG	■																				
8	Cabinet top panel rsf		8 716 100 998 0		NG		■																			
9	Screw no.8x1/2 f/h type b self tap.		2 912 421 225 0	16	LPG	■																				
9	Screw no.8x1/2 f/h type b self tap.		2 912 421 225 0	16	NG		■																			
28CDI - L FSP 28CDI-FSN			Casing D																					4		

Spare parts list



6720900068.AA

Wall Mounting assy
D

28CDI - L FSP 28CDI-FSN

5

**ADDITIONAL SPARE PARTS
FOR APPLIANCE
NOT DRAWN**

9099

6720900999.AA

Additional Spare Part
D

28CDI - L FSP 28CDI-FSN

9

Pos	description	S-Nr	ordering no.	PG	gas type	28CDI - L FSP	28CDI-FSN												remarks
	24/28cdi-standard flue kit-f106h650		7 716 191 009 0		LPG	■													
	24/28cdi-standard flue kit-f106h650		7 716 191 009 0		NG		■												
	24/28cdi-extension flue kit-f106e840		7 716 191 010 0		LPG	■													
	24/28cdi-extension flue kit-f106e840		7 716 191 010 0		NG		■												
	CDi-vertical flue kit-f106v1100		7 716 191 011 0		LPG	■													
	CDi-vertical flue kit-f106v1100		7 716 191 011 0		NG		■												
	24/28cdi-vertical flue adaptor-f106a		7 716 191 012 0		LPG	■													
	24/28cdi-vertical flue adaptor-f106a		7 716 191 012 0		NG		■												
	90 deg flue elbow-f106e90		7 716 191 013 0		LPG	■													
	90 deg flue elbow-f106e90		7 716 191 013 0		NG		■												
	45 deg flue elbow (pair)-f106e45		7 716 191 014 0		LPG	■													
	45 deg flue elbow (pair)-f106e45		7 716 191 014 0		NG		■												
	CDi-mechanical timer-s230m1		7 716 192 002 0		LPG	■													
	CDi-mechanical timer-s230m1		7 716 192 002 0		NG		■												
	CDi-electronic timer-s024e7		7 716 192 003 0		LPG	■													
	CDi-electronic timer-s024e7		7 716 192 003 0		NG		■												
	CDi-digistat reciever-so24r1		7 716 192 005 0		LPG	■													
	CDi-digistat reciever-so24r1		7 716 192 005 0		NG		■												
	CDi-remote control transmitter-so24t7		7 716 192 010 0		LPG	■													
	CDi-remote control transmitter-so24t7		7 716 192 010 0		NG		■												
	CDI-DIGISTAT SYSTEM (24HR) MK2		7 716 192 049 0		LPG	■													
	CDI-DIGISTAT SYSTEM (24HR) MK2		7 716 192 049 0		NG		■												
	CDi&rx2-mini expansion vessel kit		7 716 192 105 0		LPG	■													
	CDi&rx2-mini expansion vessel kit		7 716 192 105 0		NG		■												
	24/28cdi rsf-open vent kit		7 716 192 107 0		LPG	■													
	24/28cdi rsf-open vent kit		7 716 192 107 0		NG		■												
	CDi/rx2-wall spacing frame		7 716 192 111 0		LPG	■													
	CDi/rx2-wall spacing frame		7 716 192 111 0		NG		■												
	Gas conversion kit lpg to ng cdi range		7 716 192 307 0		LPG	■													
	Gas conversion kit lpg to ng cdi range		7 716 192 307 0		NG		■												
	Gas Conversion kit ng to lpg cdi range		7 716 192 308 0		LPG	■													
	Gas Conversion kit ng to lpg cdi range		7 716 192 308 0		NG		■												
	Flue balancing ring 77.0mm.		8 716 100 577 0		LPG	■													
	Flue balancing ring 77.0mm.		8 716 100 577 0		NG		■												
	Flue ring 77 dia		8 716 102 461 0		LPG	■													
	Flue ring 77 dia		8 716 102 461 0		NG		■												
	Literature Pack - 28Cdi RSF		8 716 102 564 0		LPG	■													
	Literature Pack - 28Cdi RSF		8 716 102 564 0		NG		■												
	CDi series serv & inst manual		8 716 102 567 0		LPG	■													
	CDi series serv & inst manual		8 716 102 567 0		NG		■												
	Digistat Transmitter Greenstar MK2		8 716 114 461 0		LPG	■													
	Digistat Transmitter Greenstar MK2		8 716 114 461 0		NG		■												
	Domestic installation kit		8 716 121 233 0		LPG	■													
	Domestic installation kit		8 716 121 233 0		NG		■												
	Screw pack		8 716 121 234 0		LPG	■													
	Screw pack		8 716 121 234 0		NG		■												
	Screw sub pack 2		8 716 121 642 0		LPG	■													
	Screw sub pack 2		8 716 121 642 0		NG		■												
	Probe housing cap		8 716 140 301 0		LPG	■													
	Probe housing cap		8 716 140 301 0		NG		■												
	Gasket - flue turret		8 716 140 706 0		LPG	■													
	Gasket - flue turret		8 716 140 706 0		NG		■												
28CDI - L FSP 28CDI-FSN			Additional Spare Part D															9	

**ADDITIONAL SPARE PARTS
FOR APPLIANCE
NOT DRAWN**

9099

6720900999.AA

Additional Spare Part
D

9

28CDI - L FSP 28CDI-FSN

Pos	description	S-Nr	ordering no.	PG	gas type	28CDI - L FSP	28CDI-FSN													remarks
	Gasket terminal		8 716 140 714 0		LPG	■														
	Gasket terminal		8 716 140 714 0		NG		■													
	User instrUctions		8 716 145 019 0		LPG	■														
	User instrUctions		8 716 145 019 0		NG		■													
	28cdi rsf serv & inst manual pre 04/01		8 716 145 020 0		LPG	■														
	28cdi rsf serv & inst manual pre 04/01		8 716 145 020 0		NG		■													
	Programmable receiver		8 716 156 117 0		LPG	■														
	Programmable receiver		8 716 156 117 0		NG		■													
	British gas room thermostat transmitter		8 716 156 118 0		LPG	■														
	British gas room thermostat transmitter		8 716 156 118 0		NG		■													
	Scottish gas room thermostat transmitter		8 716 156 119 0		LPG	■														
	Scottish gas room thermostat transmitter		8 716 156 119 0		NG		■													
28CDI - L FSP 28CDI-FSN			Additional Spare Part D																	9

List of translations

Pos			
1			
2			
3			
4			
5			
6			
7			
8			
9			
10			
11			
12			
13			
14			
15			
16			
17			
18			
19			
20			
21			
22			
23			
24			
25			
26			
27			
28			
29			
30			
31			
32			
33			
34			
35			
36			
37			
38			
39			
40			
41			
42			
43			
44			
45			
46			
47			
48			
49			
50			
51			
52			
53			
54			
55			
58			
Pos			

List of translations

59				
2				
1				
2				
3				
4				
5				
6				
7				
8				
9				
10				
11				
12				
13				
14				
15				
16				
17				
18				
19				
20				
21				
22				
23				
24				
25				
26				
27				
28				
29				
30				
31				
32				
33				
34				
35				
36				
37				
38				
39				
40				
41				
2A				
1				
2				
3				
Pos				
4				
5				
6				
7				
8				
9				
3				

