

ESSENCE FASCIA INSTALLER AND OWNER GUIDE

INSTALLER

This guide is for fitting the Essence fascia to Airflame models. The fascia is not suitable for use with 'DGF only', '18 Inch' or 'Top Control' models.

Contents:

- 1 x Fascia assembly.
- 4 x Rectangular magnets (These may be on the back of the fascia).
- 4 x Round magnets (These may be on the back of the fascia / fascia brackets).
- 1 x Support bracket.
- 3 x Screws.

Before continuing with the installation of the Airflame appliance follow step 1 below:

1. Fit the fascia support bracket to the top of the convection box. To do this, align the holes in the bracket with those at the top of the convection box front and secure the bracket in place with the three screws supplied. The screws should come from the rear of the convection box flange (See figure 1).

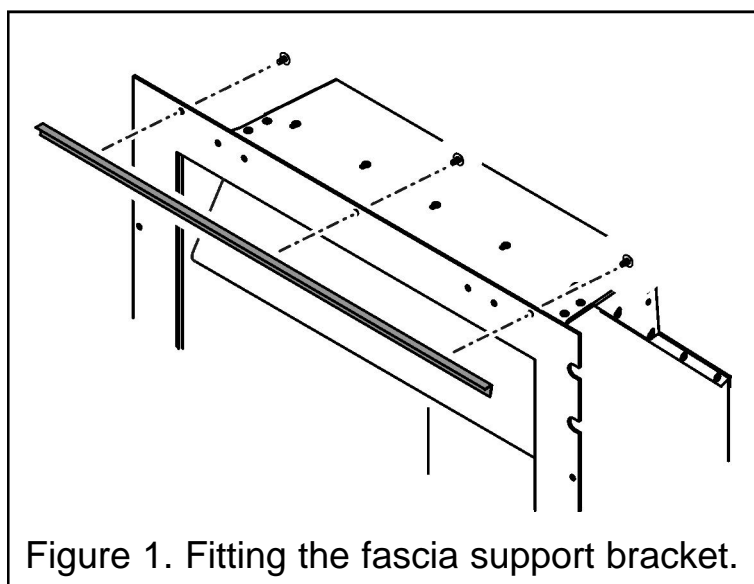
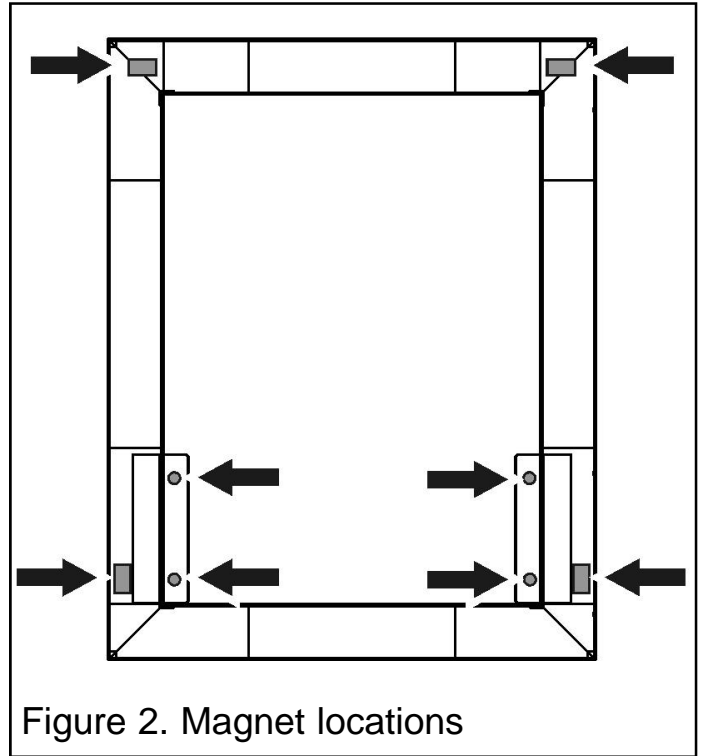


Figure 1. Fitting the fascia support bracket.

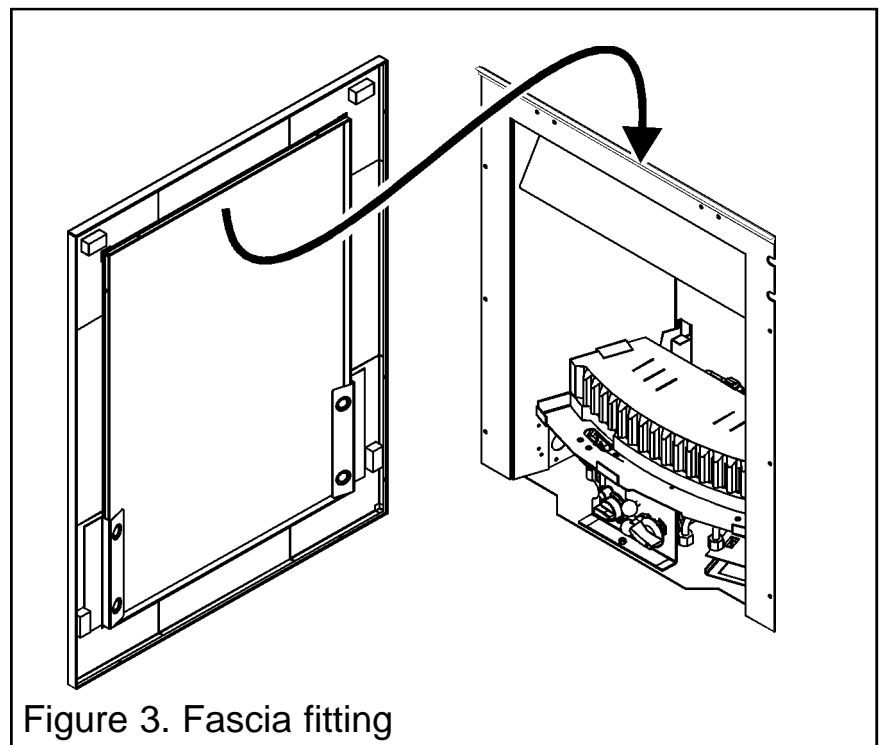
INSTALLER: Please leave this guide with the owner

INSTALLER AND OWNER GUIDE

2. Unpack the fascia and remove any protective film. The fascia is supplied with two sets of magnets, four rectangular and four round. These may already be fitted to the rear of the fascia. Position these magnets as in figure 2.



3. Keeping the lower part of the fascia away from the convection box flanges, offer the top of the fascia onto the support bracket (See figure 3). With this in place, swing the lower part of the fascia into place. The magnets will secure the fascia in place.



4. Place the lower firefront in place.

INSTALLER AND OWNER GUIDE

OWNER

If for any reason, the fascia is removed, the magnets that secure it may need to be repositioned before fitting it. When fitting the fascia follow points 2-4.

© Baxi Heating U.K. Limited 2008.

All rights reserved. No part of this publication may be reproduced in any material form (including photocopying), stored in any medium by electronic means (including in any retrieval system or database) or transmitted, in any form or by any means, whether electronic, mechanical, recording or otherwise, without the prior written permission of the copyright owner.

Applications for the copyright owner's permission to reproduce any part of this publication should be made, giving details of the proposed use, to the following address: The Company Secretary, Baxi Heating UK Limited, The Wyvern Business Park, Stanier Way, Derby, DE21 6BF.

Warning: Any person who does any unauthorised act in relation to a copyright work may be liable to criminal prosecution and civil claims for damages.

© Baxi Heating U.K. Limited 2008.


Wonderfire