

**Wonderfire**

**I N S T A L L E R G U I D E**

for

**MODEL 530U  
(G.C.32-032-21)  
PRESIDENT  
UNIVERSAL**



**FREE STANDING GAS STOVE**

with

**Open Flue\*  
(Type B appliance)**

**(with Logs or Coals)**

**\* Discard the installation and owner's manual supplied with the original Balanced flued Type C appliance when using the open flue conversion kit no. 9500388. Install in accordance with this manual.**

***Please keep in a safe place for future reference***

**Please leave this Installer Guide with the user**

As supplied, this appliance is for use with natural gas (G20)  
When converted using conversion kit no. 9500390 this appliance is for use with propane gas (G31)  
This appliance is for use in the United Kingdom (GB) and the Republic of Ireland (IE) only.

**C U S T O M E R C A R E**

This Installer Guide gives sufficient details to enable the appliance to be installed and maintained. If further information is required, our Wonderfire service department will be pleased to help.

**Please phone us on 0121 386 6203.**

**In the Republic of Ireland call 353 183 75114.**

# C O N T E N T S

<b>1. OPTIONS.....</b>	<b>4</b>
1.1. Appliance styles .....	4
1.2. Additional optional features .....	4
1.3. LP Gas .....	4
1.4. Flues .....	4
<b>2. APPLIANCE DATA .....</b>	<b>5</b>
<b>3. GENERAL INSTALLATION REQUIREMENTS.....</b>	<b>6</b>
<b>4. PACK CONTENTS.....</b>	<b>7</b>
<b>5. APPLIANCE PREPARATION .....</b>	<b>8</b>
5.1 Detach the window .....	8
5.2 Check ignition spark .....	8
5.3 Check flame control motor .....	8
5.4 Install the Open flue Kit.....	9
5.5 Attaching top air deflector .....	9
<b>6. FLUE INSTALLATION &amp; APPLIANCE FIXING .....</b>	<b>10</b>
6.1 Preparing for Floor Fixing .....	10
6.2 Flue system installation .....	10
<b>7. FITTING SIDES &amp; SWITCH.....</b>	<b>11</b>
<b>8. GAS SUPPLY INSTALLATION .....</b>	<b>12</b>
<b>9. CERAMIC FUEL BED INSTALLATION.....</b>	<b>13</b>
9.1 Ceramic Walls Installation .....	13
9.2 Ceramic Logs Installation.....	14
9.3 Ceramic Coals Installation.....	15
<b>10. WINDOW REFITTING &amp; CHECKING .....</b>	<b>16</b>
<b>11. FULL OPERATING CHECKS.....</b>	<b>17</b>
11.1 Control operation check .....	17
11.2 Check the reference pressure .....	17
11.3 Conduct spillage check.....	17
<b>12. INSTALLATION COMPLETION .....</b>	<b>18</b>
<b>13. FINAL REVIEW.....</b>	<b>19</b>
<b>14. SERVICING.....</b>	<b>19</b>

## 1. OPTIONS

Heater engine unit 9500384 (with logs) or 9500398 (with Coals), open flue conversion kit No. 9500388 and Selkirk draughthood connector Code No. 29304 are used with all installations.

### 1.1. Appliance styles

The free standing stove case is available in the following alternative finishes:

Black textured - **Kit No 9500385.**

Black enamelled – **Kit No.9500386.**

Green enamelled – **Kit No. 9500387.**

*One of the above kits must be used with each installation.*

### 1.2. Additional optional features

**Remote control unit** Hand operated control for flame & heat adjustment. It may be fitted before the stove is installed or retrofitted at a later date - **Kit No. 9500397.**

### 1.3. LP Gas

**LPG Conversion kit** Burner & injector kit for conversion from natural gas to propane – **Kit No. 9500390.**

### 1.4. Flues

This appliance is designed for use with a Selkirk IL twin-wall 100mm (4in) residential gas vent system. Full details are available from

Selkirk Manufacturing Ltd.

Bassett House

High Street

Banstead

Surrey SM7 2LZ

(Tel 01737 35 33 88)

## 2. APPLIANCE DATA

This product uses fuel effect pieces, burner compartment walls and gaskets containing Refractory Ceramic Fibres (RCF), which are man-made vitreous silicate fibres. Excessive exposure to these materials may cause temporary irritation to eyes, skin and respiratory tract. Consequently, it makes sense to take care when handling these articles to ensure that the release of dust is kept to a minimum. To ensure that the release of fibres from these RCF articles is kept to a minimum, during installation and servicing we recommend that you use a HEPA filtered vacuum to remove any dust and soot accumulated in and around the fire before and after working on the fire. When replacing these articles we recommend that the replaced items are not broken up, but are sealed within a heavy duty polythene bag, clearly labelled as RCF waste. This is not classified as "hazardous waste" and may be disposed of at a tipping site licensed for the disposal of industrial waste. Protective clothing is not required when handling these articles, but we recommend you follow the normal hygiene rules of not smoking, eating or drinking in the work area and always wash your hands before eating or drinking.

This appliance does not contain any component manufactured from asbestos or asbestos related products.

	Nat Gas G20	Propane G31*
Supply pressure	20mbar	37mbar
Input - Max. (Gross)	6.12kW	5.70kW
Input - Min. (Gross)	1.90kW	3.51kW
Test pressure (Cold)	9.2±0.75mbar (3.7±0.3in w.g.)	26.2±0.75mbar (10.5±0.3in w.g.)
Burner injector	Bray cat. 82 size 580	Bray cat. 92 size 200
Appliance category	<b>II<sub>2</sub>H3P</b>	
Efficiency class	2	

\*When converted using kit no. 9500390

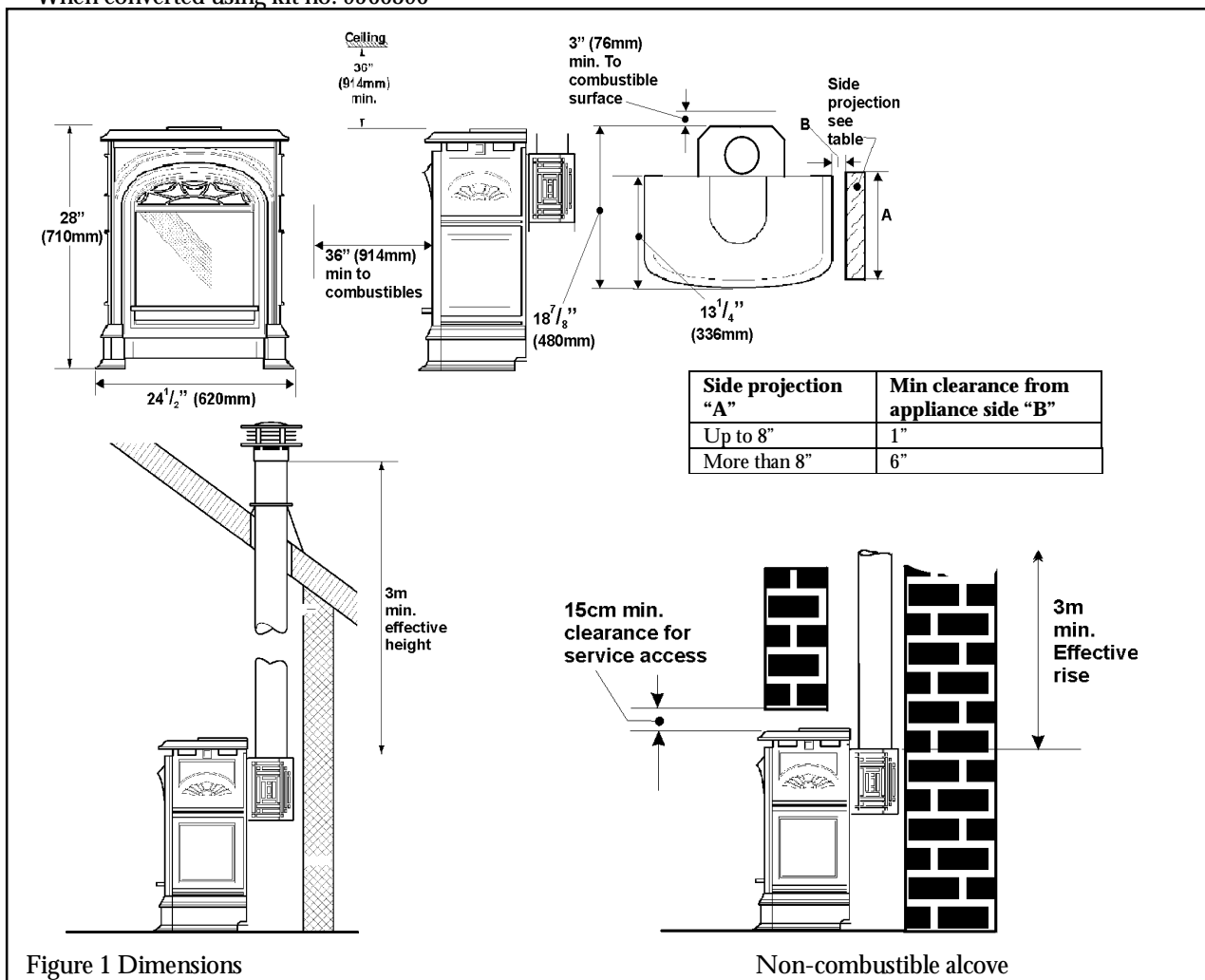


Figure 1 Dimensions

## 3. GENERAL INSTALLATION REQUIREMENTS

**3.1** The installation must be in accordance with these instructions.

For the user's protection, in the United Kingdom it is the law that all gas appliances are installed by competent persons in accordance with the current edition of the Gas Safety (Installation and Use) Regulations. Failure to install the appliance correctly could lead to prosecution. The Council for the Registration of Gas Installers (CORGI) requires its members to work to recognised standards.

In the United Kingdom the installation must also be in accordance with:

- a) All the relevant parts of local regulations.
- b) The current edition of the Building Regulations issued by the Department of the Environment and the Welsh Office or the Building Standards (Scotland) Regulations issued by the Scottish Development Department.
- c) All relevant codes of practice.
- d) The relevant parts of the current editions of the following British Standards:-

BS 715

BS 5440 Part 1

BS5440 Part 2

BS 5482 Part 1

BS 5871 Part 1

BS 6461 Part 1

BS 6891

In the Republic of Ireland the installation must also conform to the relevant parts of:

- a) The current editions of:-

IS 813

- b) All relevant national and local rules in force.

**3.2** Before installation, ensure that the local distribution conditions (identification of the type of gas and pressure) and the adjustment of the appliance are compatible.

**3.3** This appliance is designed for use with a Selkirk IL twin-wall 100mm (4in) residential gas vent system with a minimum effective height of 10 ft (3.05m).

**3.4** This appliance must not be installed in any room which contains a bath or shower or where steam is regularly present.

**3.5** An extractor fan may only be used in the same room as this appliance, or in any area from which ventilation for the appliance is taken, if it does not affect the safe performance of the appliance. Note the spillage test requirements detailed further on in this manual. If the fan is likely to affect the appliance, the appliance must not be installed unless the fan is permanently disconnected.

**3.6** In the United Kingdom (GB) no special ventilation bricks or vents are required in the room for this appliance.

In the Republic of Ireland (I.E.), permanent ventilation must comply with the regulations currently in force.

**3.7** Note that soft wall coverings (e.g. embossed vinyl, etc.) are easily affected by heat. They may scorch or become discoloured when close to a heating appliance. Please bear this in mind when installing.

**3.8** Minimum clearances to combustible surfaces and for servicing access are shown in figure 1.

**3.9** Propane gas appliances must not be installed in a cellar, basement or any room, which is built entirely below ground level (See BS5482 Part 1).

**3.10** The top castings, front castings above the access door and the glass window are working surfaces. They become hot in use and should not be touched until the stove is switched off and allowed to cool.

## 4. PACK CONTENTS

### **Engine unit No. 9500384 (with Logs) or 9500398 (with Coals)**

1	Appliance engine unit fitted with window
1	Set of restrictor plates *
1	Port cover
2	Wall spacer brackets*
1	Firebox ceramic rear wall
2	Firebox ceramic side walls
5	Ceramic fuel effects (logs or coals)
1	Switch unit
2	Switch lead clips
4	1.5V AA batteries
4	Wood screws
4	Wall plugs
2	Thread cutting screws

\* Not required for open flue installations

### **Free standing stove case**

#### **Top pack**

1	Top casting
1	Top infill plate

#### **Sides pack**

1	Front casting unit
2	Side casting units
1	Top air deflector
1	Switch mounting bracket
2	Self cutting screws
4	Machine screws
4	Washers

### **Open flue conversion kit No. 9500388**

1	Flue adapter unit with flue monitor switch
1	Thermocouple interrupter
1	Case rear cover plate
2	"P" clips (for flue switch leads)
1	Smoke match tube
1	Spillage test label

### **Remote control unit No. 9500397 (Additional option)**

1	Receiver unit
1	Remote control hand unit
1	9V Battery

### **LPG conversion kit No. 9500390**

Details are with the kit.

Take care when removing the contents from the packaging to prevent damage. Check that all the contents are in the packs and are undamaged.

## 5. APPLIANCE PREPARATION

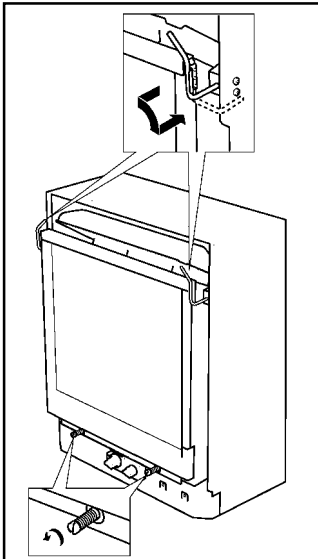


Figure 2

### 5.1. Detach the window

1. Release the top of the window by pulling forward and rotating outwards the two bars at the top corners. See figure 2.
2. Unscrew the two spring loaded bolts securing the bottom of the window. See figure 2.
3. Carefully lift the window. Keep the window and bolts in a safe place.

### 5.2. Check ignition spark

The pilot burner and electrode unit is at the left end of the burner.

Push in the lighting knob and turn anticlockwise through the "IGN" position to "PILOT". A spark should flash across from the pilot electrode to the pilot burner shield. See figure 3.

### 5.3. Check flame control motor

1. Fit the four batteries into the battery box (Which is attached to the switch leads).
2. Temporarily connect the **black** connector pad to the control unit – See figure 4.
3. Operate the switch. This should cause the flame control knob to rotate anticlockwise. See figure 4.
4. Disconnect and remove after checking.

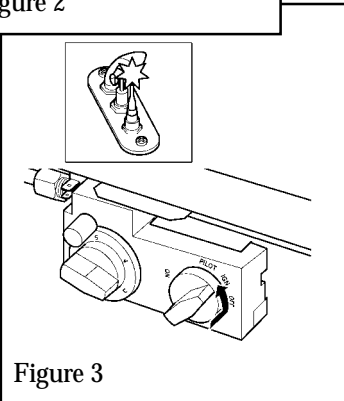


Figure 3

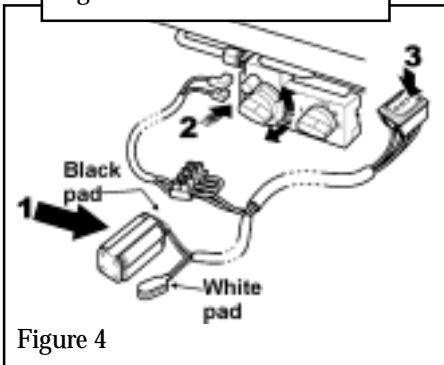


Figure 4



## 5.4. Install the Open flue Kit

### 5.4.1. Fit the flue adapter unit

1. Remove the rear outer flue collar and seal by unscrewing 12 screws (See figure 5).
2. Fit the rear cover plate (supplied with the kit) using the seal and 12 screws previously removed. The hole in the cover plate must be nearest the top edge (See figure 6).
3. Remove 4 screws from the case back (2 each side just outside the cover plate). Fit the adapter unit to the case using these screws (See figure 7).
4. Fit a "P" clip at the bottom rear right corner of the appliance case. Fit the flue switch lead to the clip (See figure 8). Feed the lead into the case through the hole at the bottom corner.

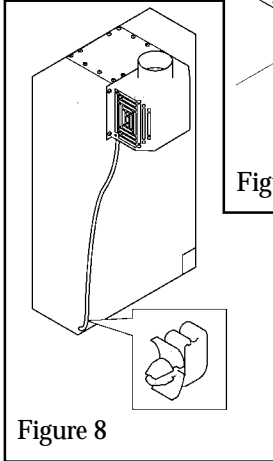


Figure 8

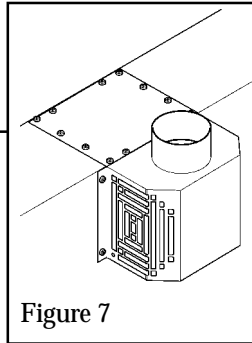


Figure 7

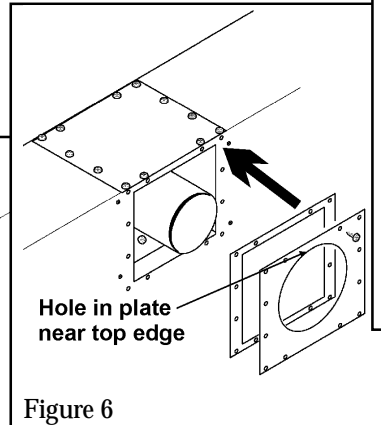


Figure 6

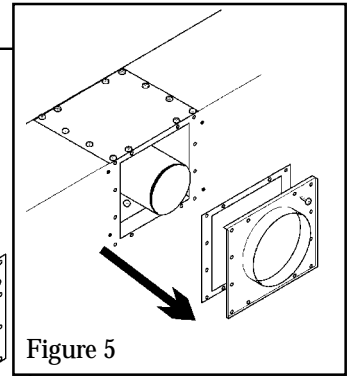


Figure 5

### 5.4.2. Adapting Burner Module

1. Detach the battery shield by removing two screws. See figure 9.
2. Detach the burner module by removing 11 screws. See figure 9.
3. Fit a "P" clip at the right side of the inside of the case. Fit the flue switch lead to the clip. See figure 10.
4. Disconnect the thermocouple from the valve block. See figure 11.
5. Fit the thermocouple interrupter to the valve block. See figure 12.
6. Connect the flue switch leads into the thermocouple interrupter. Screw the thermocouple into the interrupter block until finger tight. Make sure that the leads are properly located and finally tighten the thermocouple nut firmly to ensure good contact. See figure 13.
7. If the appliance is to be fixed to the floor, don't attach the burner module to the appliance yet. Wait until the appliance is accurately positioned with the flue system attached. The holes in the appliance base for floor fixing are not accessible when the burner module is fitted.

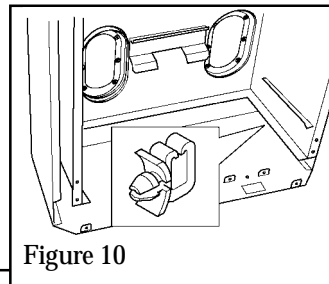


Figure 10

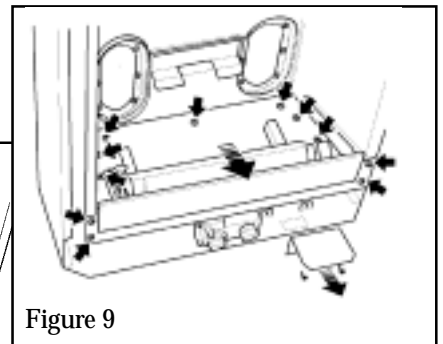


Figure 9

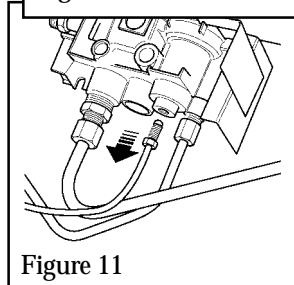


Figure 11

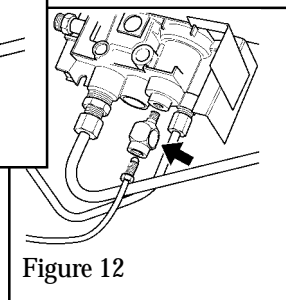


Figure 12

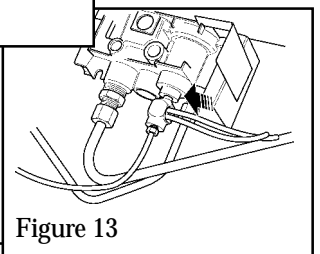


Figure 13

### 5.5. Attaching top air deflector

Fit the top air deflector under the top panel of the appliance case. Secure with two thread cutting screws. See figure 14.

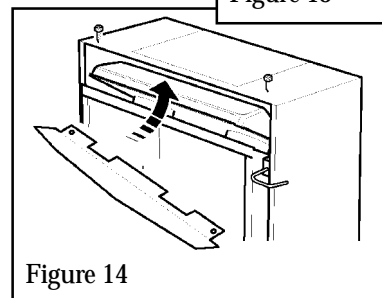


Figure 14

## 6. FLUE INSTALLATION & APPLIANCE FIXING

### 6.1. Preparing for Floor Fixing

If it is intended to fix the stove to the floor, position the appliance in its final location checking that the flue unit can be correctly installed. Mark through the two fixing holes in the appliance base. Move the appliance away. Plug the holes if necessary.

### 6.2. Flue system installation

Reposition the appliance in its final location Connect the 100mm Selkirk draughthood connector Code No. 29304 to the adapter collar. Install the flue system in accordance with the Selkirk instructions supplied with the system.

If installing the flue system into an existing masonry chimney, the chimney must be cleaned and checked to make sure that it is safe for use.

#### Floor fixing

If required, screw the appliance to the floor through the two holes in the base.

## 7. FITTING SIDES & SWITCH

### 1. a) If fitting with appliance side switch only

- Snap fit the switch into the opening in the switch mounting bracket. See figure 15
- Fit the two switch lead clips to the right side of the case.
- Route the switch leads round the back of the valve and connect to the control unit.
- Connect the battery box to the **black** connection pad. See figure 16.
- Place the battery box on the “Velcro” pad in front of the battery shield. Fit the leads into the clips. See figure 16.

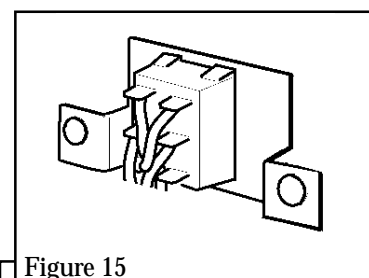


Figure 15

### b) If fitting remote control as only active switch (Appliance side switch disconnected)

**Caution! Don't connect the batteries in the remote control receiver until the leads are connected to the burner control unit. A short circuit could result in destruction of the electrical components.**

- Route the leads from the receiver round the back of the burner and connect to the control unit.
- Remove the receiver lid. Connect the battery box to the receiver leads. Fit the four 1.5 V batteries. Replace the receiver lid.
- Place the remote control receiver on the “Velcro” pad in front of the battery shield. See figure 17.
- Fit the 9V battery to the handset transmitter.

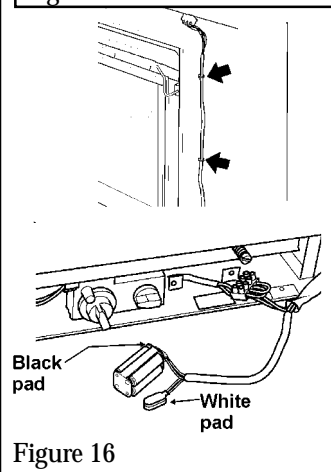


Figure 16

### c) If fitting remote control and active side switch

**Caution! Don't connect the batteries in the remote control receiver until the leads are connected to the burner control unit. A short circuit could result in destruction of the electrical components.**

- Snap fit the switch into the opening in the switch mounting bracket. See figure 15.
- Fit the two switch lead clips to the right side of the case.
- Cut off the “L” terminals from the switch leads **on the remote control receiver** and remove insulation from approximately 6mm (1/4in) at the ends of the leads. See figure 18.
- Securely connect the leads to the terminal block. **Connect the black lead to the terminal opposite the brown lead. Connect the lead with the white stripe to the terminal opposite the yellow lead.** See figure 19.
- Route the leads round the back of the valve and connect the “L” terminals to the control unit.
- Remove the remote control receiver lid. Remove the cover from the **white** connection pad. Fit this connection pad to the remote control receiver terminals. See figure 20.
- Fit the **black** connection pad to a battery box. Fit four 1.5V batteries. See figure 20.
- Place the batteries and connection pad in the receiver box and replace the lid.
- Fit the 9V battery to the handset transmitter.

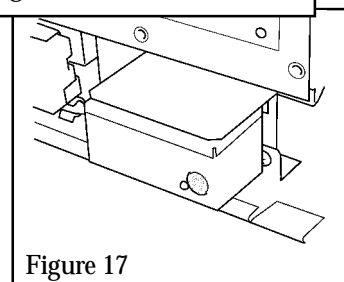


Figure 17

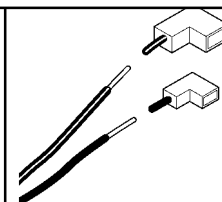


Figure 18

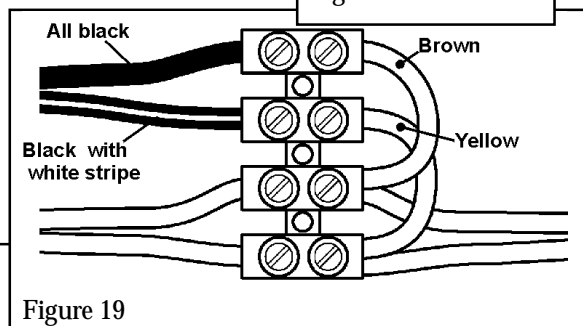


Figure 19

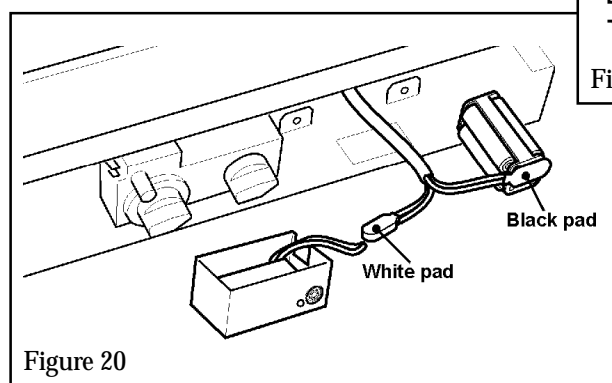


Figure 20

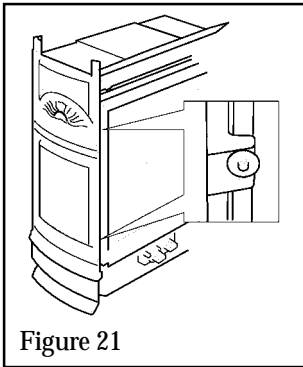


Figure 21

2. Fit the sides to the engine unit case with two machine screws and washers per side. See figure 21.

3. For appliance side switch

Fit the switch mounting bracket to the right side casting with two thread cutting screws supplied. The leads should hang down from the connectors at back of the switch so that pressing the upper half of the switch rocker turns the fire up. See figure 22.

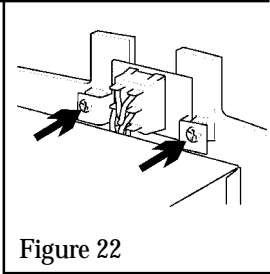


Figure 22

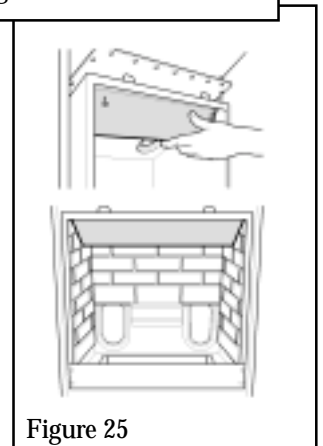
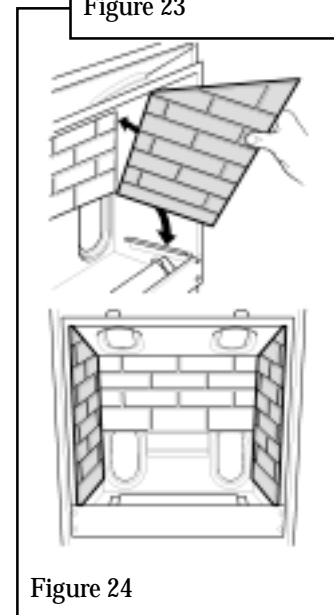
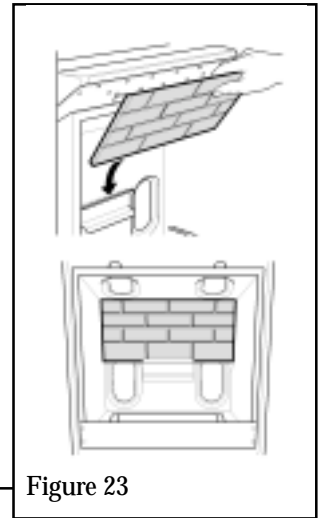
## 8. GAS SUPPLY INSTALLATION

1. Extend the gas supply pipe to a convenient point and connect it to the inlet pipe at the rear left corner of the stove. The connection is Rp1/4 (1/4in. B.S.P). The supply pipe must be of rigid material (e.g. copper). Flexible connections must not be used.
2. Provision for isolation of the gas supply upstream of the fire must be provided for safety and servicing.
3. Pressure test the installation for gas soundness in accordance with the current edition of B.S.6891.

## 9. CERAMIC FUEL BED INSTALLATION

### 9.1. Ceramic Walls Installation

1. Locate the ceramic rear wall in the channel at back of the firebox and flat against the back of the firebox. See figure 23.
2. Locate the side walls in the channels at the sides of the firebox. See figure 24.
3. Remove two screws from under the top front of the firebox. Using these screws, fit the port cover. See figure 25.



## 9.2. Ceramic Logs Installation

(See Section 9.3 for ceramic coals)

1. Place the base log on the supports in the firebox and against the firebox back. See figure 26.

2. Place the rear log over the base log. Locate the holes in the top log into the pegs in the base log. See figure 27.

3. Place the front log behind the metal lip at front of the firebox. See figure 28.

4. Place the right side log in the hollow at right of the base log. Rest the narrow nose of this log on the projection at front centre of the base log – ***It is important that the narrow nose does not drop down to touch the burner.*** See figure 29.

5. Place the left side log on base log at the left side. Locate its nose tip behind the nose of the right side log. ***It is important that the narrow nose does not drop down to touch the burner.*** See figure 30.

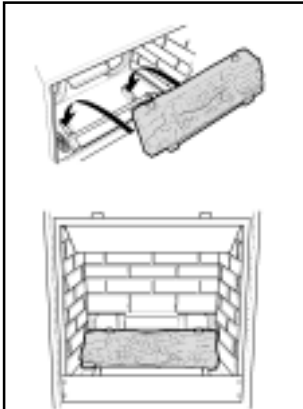


Figure 26

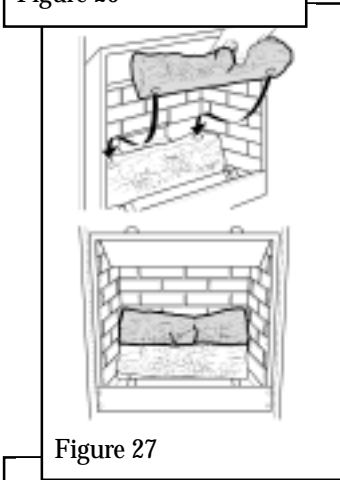


Figure 27

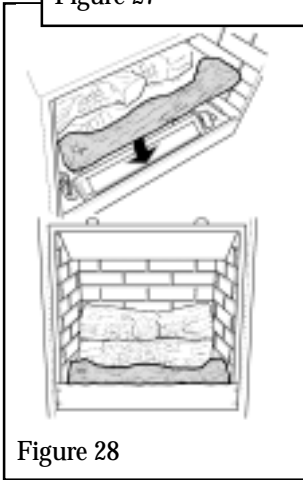


Figure 28

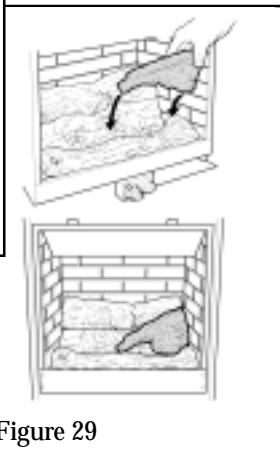


Figure 29

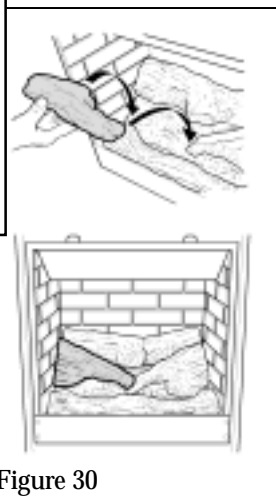


Figure 30

### 9.3. Ceramic Coals Installation

(See section 9.2 for ceramic logs)

1. Place the base coal on the supports in the firebox and against the firebox back. See figure 31.
2. Place the left front coal in position behind the metal lip at the front of the firebox. The side projection on this coal should be near the middle front of the firebox. See figure 32.
3. Place the right front coal behind the metal lip at the front of the firebox. Its left side should rest over the projection on the left front coal. See figure 33.
4. The centre right coal has letter "R" embossed underneath. Place this coal behind the front right coal. See figure 34.
5. The centre left coal has letter "L" embossed underneath. Place this coal behind the front left coal. See figure 35.

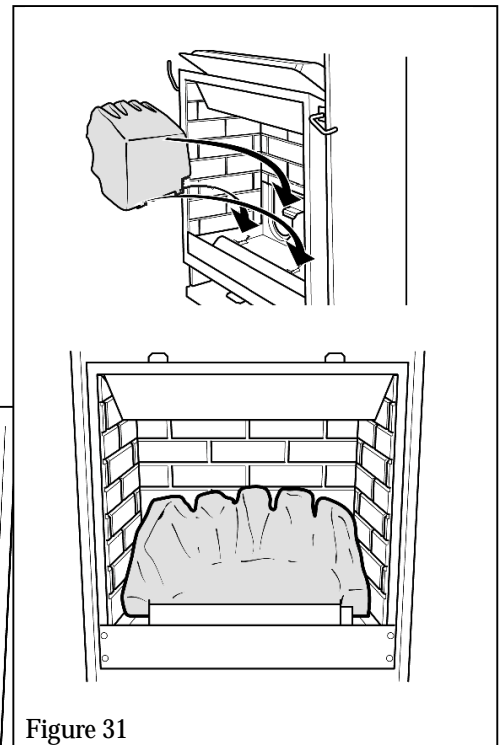


Figure 31

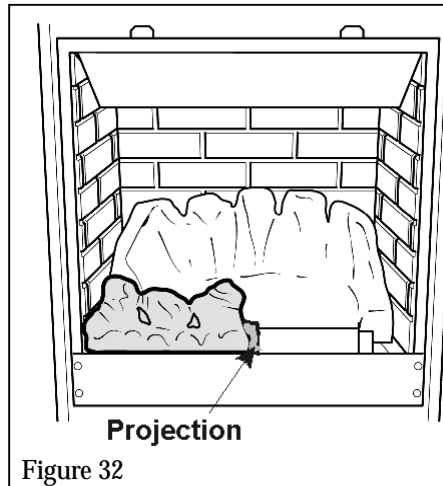


Figure 32

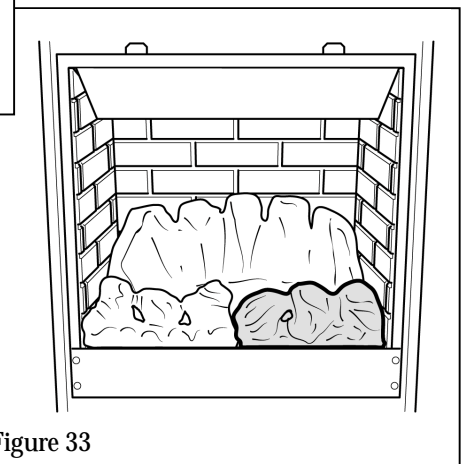


Figure 33

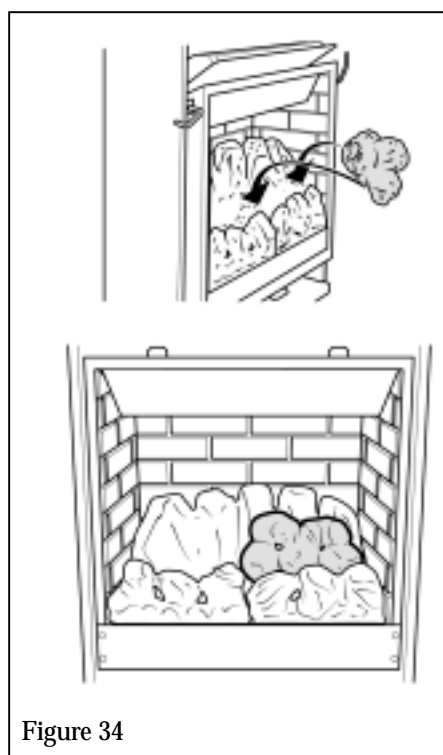


Figure 34

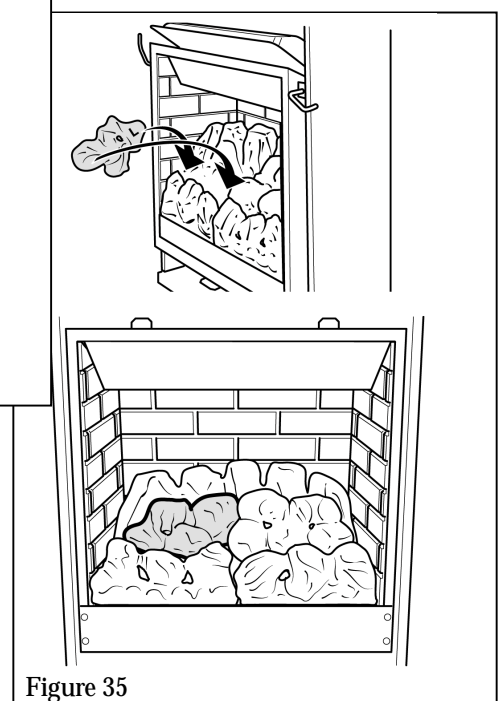
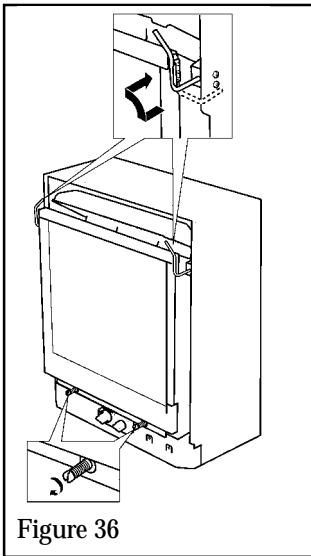
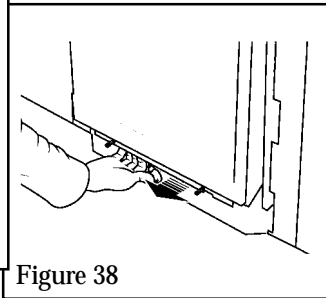
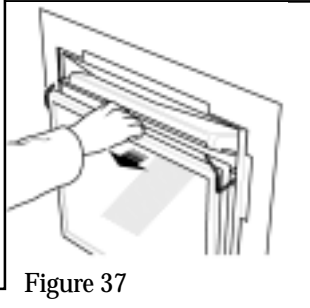


Figure 35

## 10. WINDOW REFITTING & CHECKING



1. Place the window centrally against the engine unit and resting on the support at bottom front of the engine.
2. Pull the clamping bars forward and rotate inwards to secure the top of the window. See figure 36
3. Fit the two spring loaded bolts through the bottom of the window and tighten to secure the bottom of the window. See figure 36.
4. Pull the top of the window forward and release to check that the window opens slightly and returns in the event of a delayed ignition explosion. See figure 37.



5. Similarly check the bottom of the window by pulling it forward and releasing. See figure 38.
6. Apply light hand pressure against the window frame sides to bed in the window seal.



# 11. FULL OPERATING CHECKS

## 11.1. Control operation check

(See figure 39)

1. Turn on the gas supply and check all joints for leaks using a soap solution or leak detection fluid.
2. Push in and turn the gas control knob anticlockwise until resistance is felt just before the "IGN" position.
3. Keep pushed in for a few seconds to allow gas to flow then, keeping knob depressed, turn to "PILOT" to light pilot. Hold knob in for a further 5 seconds then release. The knob should pop back out. Pilot should remain lit.
4. When pilot is lit, partially depress the knob and turn to "ON" position.
5. Check the thermostat controls.

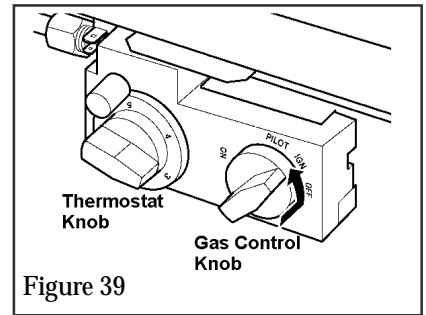


Figure 39

The built-in modulating thermostatic control automatically adjusts flame height up or down to maintain room comfort. This provides steady heat output rather than on/off heating like some other thermostat systems. This results in superior room comfort and better heater efficiency\*.

\*If, however, even when the flames are fully lowered the temperature cannot be reduced down to the chosen heat setting, the system will shut the main burner off leaving the pilot only on until the temperature has dropped to an acceptable level. The burner will then relight.

Check the thermostat: a) By rotating the thermostat knob next to the gas control knob (See fig. 39).

- b) By depressing the rocker switch at the side of the stove. Pressing the upper half should raise the flames. Pressing the lower half should lower them.

- c) If applicable, by operating the remote control hand set.

6. Turn off after checking.

## 11.2. Check the reference pressure

The appliance is pre-set to give the correct heat input at the inlet pressure shown in section 2 of this manual. Check the burner pressure by fitting a pressure gauge at the test point. The test point is the rear of the two tapping points at the left side of the control valve – See figure 40. Check the pressure with the appliance alight and the thermostat set at its maximum position.

After checking, turn off the appliance. Remove the pressure gauge and replace the test point sealing screw. Relight the appliance. Turn to the maximum thermostat position and test around the sealing screw for gas soundness with a suitable leak detection fluid.

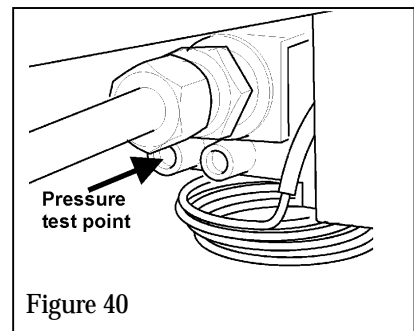


Figure 40

## 11.3. Conduct spillage check

**A spillage check must be made before leaving the installed appliance with the customer. Make this with all the ceramic fuel effects in position. Use the smoke match tube supplied.**

1. Close all doors and windows in the room containing the appliance.
2. Turn the gas control to the on position and thermostat to the highest setting.
3. Leave the appliance on for five minutes.
4. Place the smoke match tube in the slot at the left side of the flue adapter box as shown in figure 41. Insert the end of the tube to 4-8mm. The installation is satisfactory if the majority of the smoke is drawn into the adapter box and up to the flue pipe. If the flue is blocked or has strong reverse flow, the thermally actuated switch mounted in the adapter box will automatically shut off the gas supply within about ten minutes.
5. If most of the smoke is not drawn in, leave for about ten minutes and then try again.
6. If the majority of the smoke is still not drawn into the adapter and flue pipe, turn the stove off and check for cause of spillage, if necessary get expert advice. **Until the failure is cured disconnect the appliance and advise the customer of the problem.**
7. If the above test is satisfactory, open all internal connecting doors, hatches, etc. in the room. Keep all doors and windows that open to the outside of the building closed. Switch on any extractor fan installed in the same room as the appliance or a connecting room. Open all doors and other openings between the fan and the appliance. Recheck for spillage as above. If the majority of the smoke is drawn into the adapter box and up to the flue pipe, continue with the installation. If the test is not satisfactory, **disconnect the appliance and advise the customer of the cause of failure.**

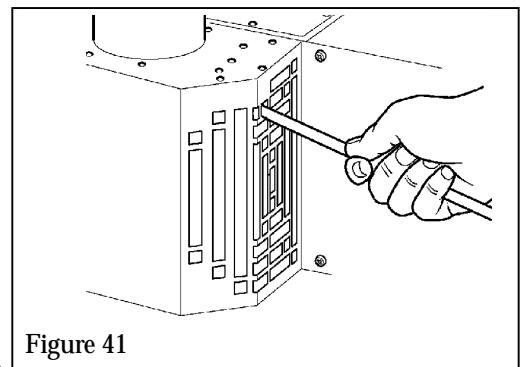
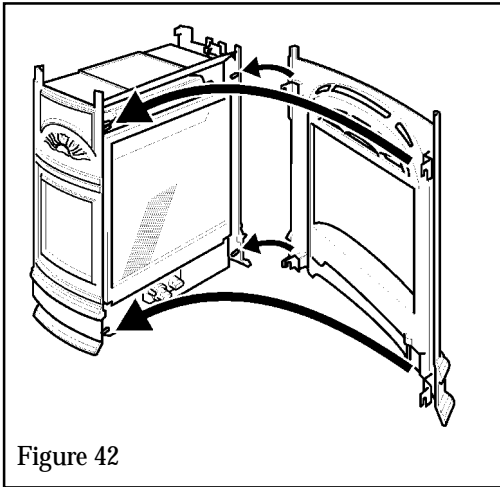
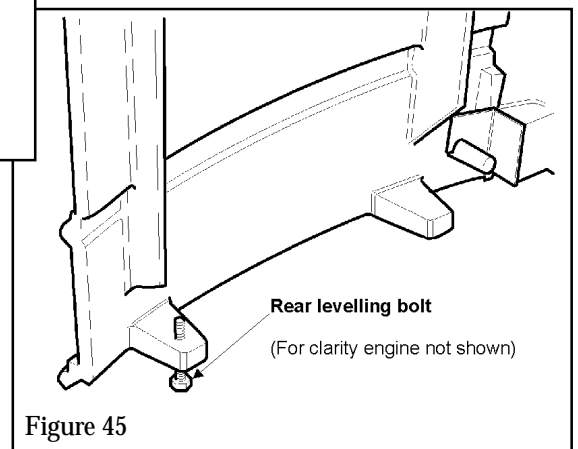
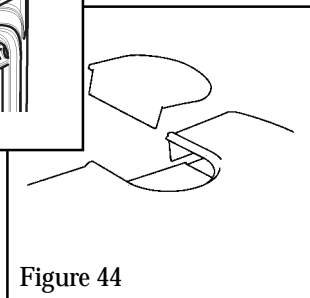
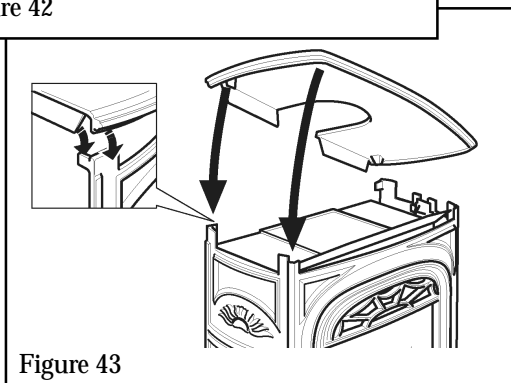


Figure 41

## 12. INSTALLATION COMPLETION



1. Fix the self-adhesive spillage test label inside the steel base panel next to the data label.
2. Hang the front casting by the hooks at the four corners as shown in figure 42.
3. Fit the top casting making sure that the corners locate as shown in figure 43.
4. Fit the top infill casting. See figure 44.
5. If necessary the appliance can be levelled by the adjustment bolts at the back of the side castings. See figure 45.



## 13. FINAL REVIEW

1. Recheck ignition and all controls
2. Instruct the user on the correct operation of the fire and especially mentioning:
  - a) The fire has a pilot. To light the pilot, the gas control knob must be operated as described in the owner's guide.
  - b) The pilot flame can be viewed through the hole in the front ceramic fuel effect at the left side.
  - c) **If the room is left empty while the heater has shut down to pilot only alight, warn that the flames will relight if the temperature in the room drops sufficiently. Therefore combustible objects should be kept away from the fire.**
  - d) The stove may give off a slight odour while new and that the flames may be the full height of the fire box, or even slightly higher, for the first few hours of operation due to burning of released curing compounds used in the manufacture of the appliance. Assure the customer that the release and burning of these compounds is perfectly safe and is not a health hazard. Mention that the flame height will reduce to normal levels and the odour will disappear a few hours after initial operation of the appliance.
  - e) When first turned on, the decorative flames will appear predominantly blue. After approximately 15 minutes the flames will turn yellow.
  - f) **Emphasise that if the glass panel is broken or damaged, the fire should be turned off and not used until the window unit is refitted with an authorised replacement.**
  - g) Recommend that the appliance and its flue system should be serviced by a competent person (*In the UK a CORGI registered person*) at least annually. *If the appliance is in premises in the United Kingdom occupied by a tenant, point out that by law a landlord must have any gas appliance, flue and pipework which is situated in a tenant's premises checked for safety at least every 12 months*
  - h) If the fire goes out for any reason, wait at least five minutes before relighting.
3. Hand over to the customer this guide and the users guide.
4. Advise the customer to read the Owner's Guide before operating the stove and always to follow the advice in the section headed "Cleaning".

## 14. SERVICING

- *Always turn off the gas supply before commencing any servicing*
- *This product uses fuel effect pieces, burner compartment walls and gaskets containing Refractory Ceramic Fibres (RCF), which are man-made vitreous silicate fibres. Excessive exposure to these materials may cause temporary irritation to eyes, skin and respiratory tract. Consequently, it makes sense to take care when handling these articles to ensure that the release of dust is kept to a minimum. To ensure that the release of fibres from these RCF articles is kept to a minimum, during installation and servicing we recommend that you use a HEPA filtered vacuum to remove any dust and soot accumulated in and around the fire before and after working on the fire. When replacing these articles we recommend that the replaced items are not broken up, but are sealed within a heavy duty polythene bag, clearly labelled as RCF waste. This is not classified as "hazardous waste" and may be disposed of at a tipping site licensed for the disposal of industrial waste. Protective clothing is not required when handling these articles, but we recommend you follow the normal hygiene rules of not smoking, eating or drinking in the work area and always wash your hands before eating or drinking*
- Check that the appliance is clean and that no matter is blocking the burner or pilot which may cause an imperfect flames or prevent a correct electrode spark.
- After servicing, make sure that the ceramic walls and fuel effect pieces are replaced correctly as described in the installation instructions.
- *Always test for gas soundness after servicing the appliance.*

All Wonderfire appliances are CE Approved and designed to meet the appropriate British Standards.



All Wonderfire appliances are manufactured to the highest standards of quality and excellence under the BS EN ISO 9001 quality system accepted by the British Standards Institute.

All Wonderfire gas appliances must be installed by a competent person in accordance with the Installer Guide. If in doubt always use the services of a CORGI Registered Installer

Please fill in the following information for your own future reference. The information should always be quoted in any correspondence with your original supplier or Wonderfire service department.

In the United Kingdom please telephone **0121 386 6203**.

In the Republic of Ireland please telephone **353 183 75114**

**Model** **530U President Universal with Open Flue**

Front (Tick box)

**Black Textured**

**Black Enamelled**

**Green Enamelled**

Fuel Effect

(Tick box)

**Logs**

**Coals**

Supplier's Name

Supplier's Address

Supplier's Telephone No.

Date of Purchase

Guarantee Card No.



MANUFACTURED BY WONDERFIRE  
Wood Lane, Erdington, Birmingham B24 9QP

Because our policy is one of constant development and improvement, details may vary slightly from those given in this publication