

# VERINE

## **Carmelo 1150**

### **Inset Fire**

**MODEL NUMBERS: NHWV00RN (NG) & NHWV00RP (LPG)**

### **INSTALLATION, USER AND SERVICING INSTRUCTIONS**

**THESE INSTRUCTIONS SHOULD BE RETAINED  
BY THE USER FOR FUTURE REFERENCE**



**THIS APPLIANCE MEETS THE REQUIREMENTS OF THE EUROPEAN GAS DIRECTIVE**

Model No. NHWV00RN for use with natural gas (G20) at a supply pressure of 20mbar.

Model No. NHWV00RP for use with propane (G31) at a supply pressure of 37mbar.

Both models are suitable for installation within G.B. / I.E.

## Installation & Service Record

Please ensure that installer completes the installation record below

<p><b>INSTALLATION RECORD</b></p> <p><b>Appliance Supplied by:</b> .....</p> <p><b>Installation Date:</b> .....<b>Serial No.:</b> .....</p> <p><b>Installed By:</b> .....<b>CORGI No.:</b> .....</p> <p><b>Signed by Installer:</b> .....</p>
---

<p><b>RECORD OF 1<sup>st</sup> SERVICE</b></p> <p><b>Serviced by:</b> ..... <b>CORGI No.:</b>.....</p> <p><b>Service Date:</b> ..... <b>Signed:</b> .....</p> <p><b>Comments:</b> .....</p> <p>.....</p> <p>.....</p>	<p><b>RECORD OF 2<sup>nd</sup> SERVICE</b></p> <p><b>Serviced by:</b> ..... <b>CORGI No.:</b>.....</p> <p><b>Service Date:</b> ..... <b>Signed:</b> .....</p> <p><b>Comments:</b> .....</p> <p>.....</p> <p>.....</p>
<p><b>RECORD OF 3<sup>rd</sup> SERVICE</b></p> <p><b>Serviced by:</b> ..... <b>CORGI No.:</b>.....</p> <p><b>Service Date:</b> ..... <b>Signed:</b> .....</p> <p><b>Comments:</b> .....</p> <p>.....</p> <p>.....</p>	<p><b>RECORD OF 4<sup>th</sup> SERVICE</b></p> <p><b>Serviced by:</b> ..... <b>CORGI No.:</b>.....</p> <p><b>Service Date:</b> ..... <b>Signed:</b> .....</p> <p><b>Comments:</b> .....</p> <p>.....</p> <p>.....</p>
<p><b>RECORD OF 5<sup>th</sup> SERVICE</b></p> <p><b>Serviced by:</b> ..... <b>CORGI No.:</b>.....</p> <p><b>Service Date:</b> ..... <b>Signed:</b> .....</p> <p><b>Comments:</b> .....</p> <p>.....</p> <p>.....</p>	<p><b>RECORD OF 6<sup>th</sup> SERVICE</b></p> <p><b>Serviced by:</b> ..... <b>CORGI No.:</b>.....</p> <p><b>Service Date:</b> ..... <b>Signed:</b> .....</p> <p><b>Comments:</b> .....</p> <p>.....</p> <p>.....</p>
<p><b>RECORD OF 7<sup>th</sup> SERVICE</b></p> <p><b>Serviced by:</b> ..... <b>CORGI No.:</b>.....</p> <p><b>Service Date:</b> ..... <b>Signed:</b> .....</p> <p><b>Comments:</b> .....</p> <p>.....</p> <p>.....</p>	<p><b>RECORD OF 8<sup>th</sup> SERVICE</b></p> <p><b>Serviced by:</b> ..... <b>CORGI No.:</b>.....</p> <p><b>Service Date:</b> ..... <b>Signed:</b> .....</p> <p><b>Comments:</b> .....</p> <p>.....</p> <p>.....</p>

## Contents

	Page No.
Installation & Service Record	2
List of components	4
<b>Appliance Data</b>	4
<b>GENERAL INSTALLATION REQUIREMENTS</b>	4
Fitting the Appliance	4
<b>Fitting the firebox</b>	7
Filling the Burner	9
Placing of Decorative Refractory Shapes	9
<b>COMMISSIONING</b>	9
Check for spillage	9
Briefing the User	10
<b>USERS GUIDE</b>	10
Useful tips & recommendations	10
Operation of the fire	11
Lighting the Appliance	11
Cleaning the fire	12
<b>SERVICING &amp; MAINTENANCE</b>	13
Spares Parts list	14

### **Important Notes – Please read before undertaking the installation**

1. This is not a “Do it yourself” product and it must be installed by a competent person.
2. The chimney must be swept before the appliance is fitted.
3. The Installation Instructions must be adhered to without exception.

**Before fitting this appliance, ensure that the following components are enclosed**

- a) Upper & Lower Firebox complete with burner and controls.
- b) Installation, Servicing & Users Instructions
- c) 1 Packet of Burner fill granules
- d) Roll of sealing tape
- e) 1 Handset Control unit, 1 Power Supply Unit.
- f) Flue Gather and fixings
- g) 1 Pair Legs with adjustable feet.
- h) (Optional) - Coal, Pebble, Log, or Driftwood Pack as selected.

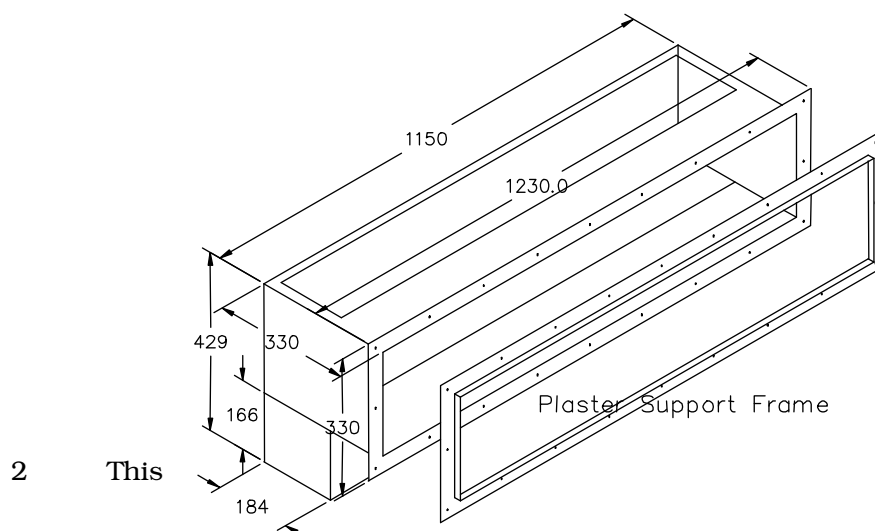
**APPLIANCE DATA**

	<b>NHWVOORN</b>	<b>NHWVOORP</b>
<b>GAS TYPE</b>	NATURAL GAS	PROPANE
<b>SUPPLY PRESSURE</b>	20mb	37mb
<b>HEAT INPUT</b>	14.3kW Gross	11.4kW Gross
<b>INJECTOR SIZE</b>	Ø 3.0mm	Ø 1.7mm
<b>GAS CONNECTION</b>	8 mm Compression	
<b>WEIGHT</b>	45kg	

**GENERAL INSTALLATION REQUIREMENTS**

**Fitting the Appliance**

- 1a United Kingdom; The law demands that all gas appliances are installed by a qualified installer in accordance with the current **GAS SAFETY (INSTALLATION AND USE) REGULATIONS**. The installation must comply with these installation instructions and all relevant parts of Local and National Building Regulations or Building Standards (Scotland) (Consolidation) Regulations and those relevant recommendations of the following British Standards.  
BS 5871: Parts 2 & 3, BS 8303, BS 5440: Parts 1 & 2, BS 1251, BS 6891
- 1b Eire; This appliance should be installed in accordance with the rules in force. The installation must be carried out by a Competent Person and installed in accordance with the current edition of I.S.813 'Domestic Gas Installations' and the current Building Regulations.



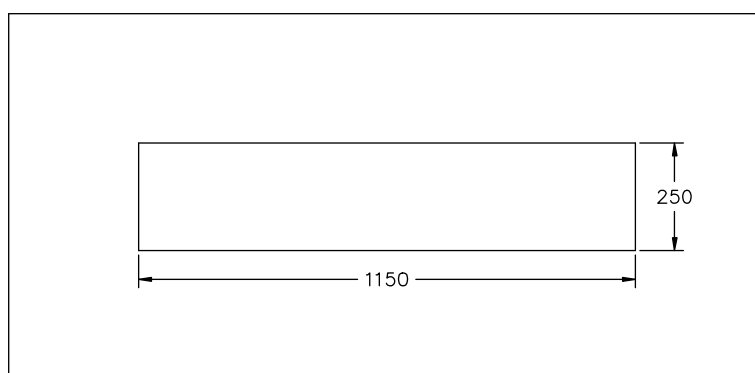
**FIGURE 1**

appliance can be fitted into fireplaces

which are large enough or can be altered to accept this appliance. The fireplace should be made from or lined with non-combustible material. The appliance dimensions are shown in Figure 1. If the fireplace has to be altered a lintel may be required to support the masonry over the opening. Alternatively a false fire breast may be constructed and the appliance connected to a prefabricated twin wall flue system. This type of flue should be of at least 175mm diameter and T250 rating.

### 3 **Wall Finishes**

The appliance is supplied with an angled plaster support frame screwed to the front flange of the firebox. This can be used when it is required that the wall is plastered right up to the fire opening. This frame allows the plasterwork to finish with a clean edge. If it is required that the fire opening is surrounded by decorative stonework then this frame may be either left in position and the stonework butted up to it or it may be removed and the fire opening framed by the finished stone. Figure 2 gives the dimensions of the fire opening with the plaster support frame removed. We recommend that wallpaper is not taken right up to the fire opening.



**FIGURE 2**

### 4 **The Hearth**

The hearth supporting the appliance within the fireplace must be made of a non-combustible material at least 12mm in thickness. In order to provide a tactile warning to persons approaching the naked flames we strongly recommend that an external hearth or a shelf mounted on the wall beneath the appliance opening so that it projects at least 100mm both in front and either side of the appliance. This hearth or shelf should also be made of a non-combustible material and of at least 12mm in thickness and its upper surface should be at least 50mm above floor level. BS 5871 Part 2 allows the installation of a fender at least 50mm high surrounding a non-combustible surface to satisfy this height requirement. If it is decided not to fit a shelf or an external hearth the appliance must be installed so that the top of the burner is at least 225mm above the finished floor level. Consideration should be given to providing an equivalent level of safety with regard to the proximity of naked flames as given by an external hearth.

### 5 **The Chimney Flue**

The chimney should be of the open-flue type and have a minimum cross-sectional dimension of not less than 175mm.

The flue must have a minimum effective height of 3 metres and have a temperature rating of at least T250. If a proprietary metal twin wall gas flue is to be used the appropriate appliance connector fitting will be required.

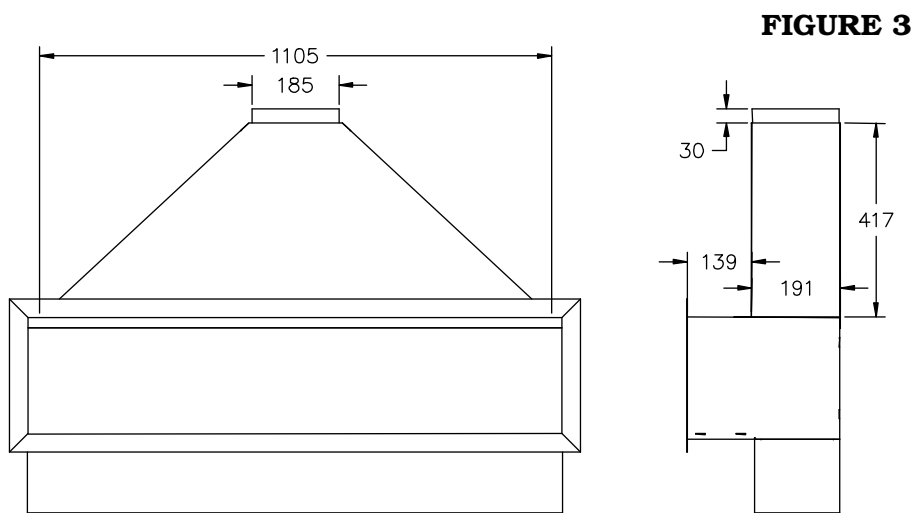
No restrictor plate or flue damper is permitted. Where a variable damper is fitted it must be removed or locked in the open position.

The chimney must be swept before the appliance is fitted.

This appliance may be connected to an 'Exhausto' power flue system where no suitable chimney is available. Details may be obtained from Exhausto Ltd., Unit 3, Lancaster Court, Coronation Road, Cressex Business Park, High Wycombe, HP12 3TD Tel; 01494 465166. The 'Post Purge' option **must** be selected when setting up the system.

## 6 Gather

The gather supplied must be used to connect the appliance to the chimney. The dimensions of the gather are given in Figure 3. Check the thickness of any masonry plus the decorative infill panel, if used, against the distance shown between the rear of the flange and the front of the gather. The gather should be installed, connected to the flue and temporarily lodged in position before the firebox is finally placed in position. After the firebox is properly positioned the gather can be drawn down to the firebox by gripping the handles provided inside the gather and secured with seven self tapping screws which pass through the top of the firebox into the gather. Please note that the gather and firebox are not structural items and the flue should be supported and not rest entirely on the gather.



## 7 Ventilation.

United Kingdom; The room containing the appliance must have a permanent air vent with an effective open area of at least 100 cm<sup>2</sup>. The vent must be either direct to outside air or to an adjacent room having a permanent vent of the same area.

Eire; Ventilation should be installed in accordance with the current edition of I.S.813 'Domestic Gas Installations' and the current Building Regulations.

## 8 Legs.

150mm tall legs with adjustable feet are supplied which can be used to raise the appliance from an existing hearth. The legs are supplied loose and are fixed to the lower firebox with two 8mm bolts. The legs do not have to be used. The appliance may be raised using masonry blockwork if this is more convenient but allowance must be made for the power supply unit which is suspended underneath the lower firebox.

## 9 Power Supply Unit.

The remotely controlled gas valve fitted to this appliance operates via a 6 volt DC power supply unit. The power supply unit supplied with the appliance must be connected to a 220 – 240 volt AC mains supply. The power supply unit is supplied already mounted to the plate that closes off the opening in the bottom of the lower firebox. After the lower firebox has been installed the mains supply lead should be lead to the opening in the lower firebox. The lead can then be plugged into the power supply unit, the 6volt d.c. lead can be threaded through its grommet in the closure

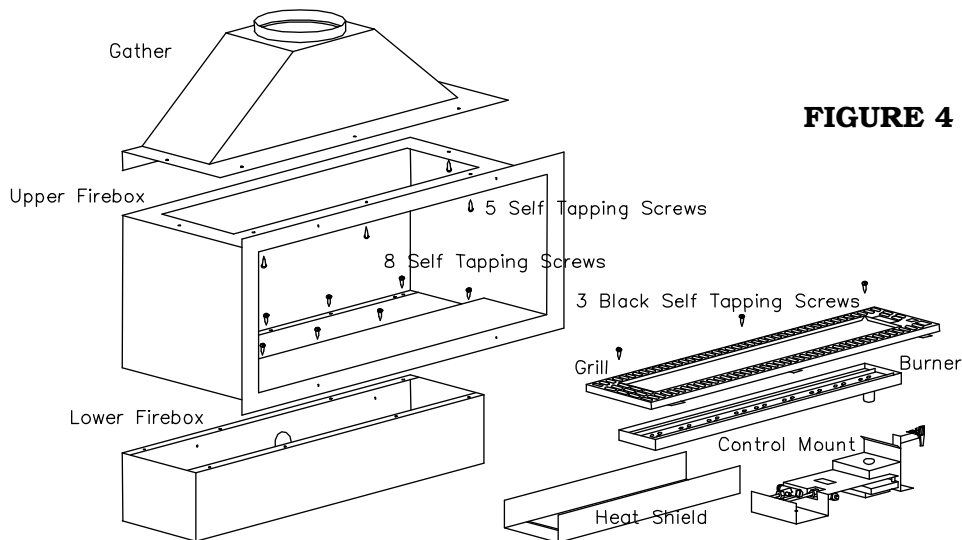
plate and then the plate can be fixed in place with the four self tapping screws supplied.

### **Fitting the Firebox**

- 1 Check that the fireplace is of the correct size or has been modified to accept the selected firebox. (See Figure 1).
- 2 It is recommended that, before proceeding further, a simple smoke test be performed to check the condition of the chimney. Light a smoke match or a twist of rolled paper, hold it within the fireplace opening and observe the behaviour of the smoke. If it is being drawn into the chimney proceed with the installation. If not, pre-heat the chimney over the period of a few minutes and recheck. If there is any doubt about the soundness of the chimney a smoke pellet should be used after preheating the flue and if smoke still fails to clear, further investigation of the chimney is required and the appliance **MUST NOT** be fitted until any fault has been rectified.
- 3 Clear the recess of any loose material. Ensure that the base on which the lower firebox will stand is level and that the base of the recess and the hearth are horizontal and non-combustible. If the fire opening is to be elevated the base under the firebox will have to be raised to suit and the masonry above the firebox altered to accommodate the gather.
- 4 The gas supply should be routed from the meter or cylinder to a point convenient to the fireplace. Ensure that there is a mains socket near the fireplace for the power supply to the appliance.

#### Natural Gas Model.

Due to the high gas input of this model we recommend that large diameter gas supply pipe (15 or 22mm) is taken right into the fireplace. The last section should be of 8mm diameter to connect to the burner with the nut and olive provided. Please remember that no soldered joints are allowed within the burner unit itself. When commissioning the appliance ensure that the inlet pressure at the pressure test point on the appliance is 20mbar +/- 1mbar.



**FIGURE 4**

- 5 As stated previously the firebox is made in two sections, the lower part which houses the gas control and the upper part which is the actual firebox and provides the containment of the flame and products of combustion. See Figure 4.
- 6 Before starting to install the firebox remove the grill, the main burner, the heatshield and the control mount from the lower firebox. Grommeted gas entry holes are set

into the rear and bottom of the lower firebox.

- 7 Slide the firebox into the opening. If a decorative infill panel is going to be used and is not yet in place make sure that the firebox flange clears the front face of the fire opening by the thickness of the infill panel. Ensure that the flue opening is unobstructed and gives a clear passage for the products of combustion to the flue. The firebox can now be fixed in position using screws and wall plugs to the hearth and rear wall of the fire opening through the slotted holes in the bottom and rear of the lower part of the firebox. Do not fully tighten these screws at this time.
- 8 At this point the installation may be easier if the top part of the firebox is removed from the bottom to give better access to install the gas supply.
- 9 Temporarily place the control mount in the lower part of the firebox and run the gas supply through one of the grommets at the rear or bottom of the lower firebox and connect it to the gas inlet fitting. This fitting accepts 8mm diameter tubing. Prior in connecting the gas supply to the appliance it is important to blow out the supply pipe to clear any of the debris that may be present and which could cause a blockage in the control valve or pilot. Provision will have to be made to pass the pipe through the masonry of the fireplace. Care must be taken to sleeve the supply pipe when passing through the masonry. Exposed pipe within the fire opening should be wrapped, painted with bituminous paint or factory sheathed. Disconnect the gas supply and remove the control mount.
- 10 The space in front of the lower part of the firebox can be filled with masonry and made good or an infill panel fitted. Slide the upper part of the firebox into position and fix to the lower part with eight plain self tapping screws.
- 11 Replace the control mount in position making sure that the holes locate over the studs in the base of the firebox. As the control mount is lifted into position the lead from the power supply unit should be plugged into the electronic box under the control mount. the socket for the 6v DC supply is located on the side of the control next to the gas control valve. Re-connect the gas supply and plug the lead from the power supply unit into the mains.
- 12 Replace the heat shield. Place the burner in position ensuring that the mixing tube locates in its hole in the burner mount over the injector. Carefully place the infill grill in position with the locating tabs engaging with the slots in the front lower part of the firebox and fix in place at the back of the box with the four self tapping screws provided. Since the infill grill locates and secures the main burner, the burner position may have to be adjusted slightly before the grill will lay flat.
- 13 **Gas Soundness Check**

Once the gas supply is connected, all joints must be checked for gas soundness. Note: It is permissible to light the fire **FOR SHORT PERIODS ONLY** when the burner has not been filled with the loose infill. It is easier to perform these checks if the burner is temporarily placed in position without re-placing the grill and heat shield as the tube from the manometer can pass in front of the burner. Please note that the flames from the burner ports will not all be of equal length.



## **Filling the Burner**



### **WARNING**

**This product uses fuel effect pieces containing Refractory Ceramic Fibre (RCF), which are man-made vitreous silicate fibres along with fibrous glass and mineral wool. Excessive exposure to these materials may cause temporary irritation to eyes, skin and respiratory tract; consequently, it makes sense to take care when handling these articles to ensure that the release of dust is kept to a minimum.**



**CAUTION All the ceramic components are fragile and should be handled with care.**

- 1 Fill the burner tray level to the top using the granules of ceramic gravel provided making sure that the burner ports between the flame guides down the centre are left completely clear. When new, the burner is supplied with a piece of tape covering the gap between the flame guides. After the burner tray has been filled the tape can be removed. If the tape has already been removed a strip of corrugated cardboard cut from the carton can be placed between the flame guides and will do the same job. The fire will not function correctly without these granules in place.

## **Placing of Decorative Refractory Shapes**

- 1 Decorative fuel packs made from refractory material may be placed on top of the ceramic gravel to increase the decorative effect. Fuels should not be placed on the infill grill except for the ends of logs and driftwood.  
  
The following packs may be used;  
  
Coal Pack – containing 30 medium random coals  
  
Pebble Pack – containing 30 large pebbles  
  
Log Pack – containing 9 refractory logs  
  
Driftwood Pack – containing 11 pieces refractory driftwood
- 2 The refractory pieces may be arranged as desired. If the objects on the fire-bed become excessively covered in soot they should be removed from the fire or placed in another position.

## **COMMISSIONING**

Before attempting to light the appliance the gas supply must be turned on by removing the cap from the isolator fitting and unscrewing the plug all the way out. (This has to be done before the burner placed into position and the infill grill fixed down). Replace the cap making sure that the tab engages with the slot in the top of the plug. Tighten the cap securely. Before attempting to light the appliance ensure that the power supply to the appliance is switched on at the mains and that the appliance ON/FF switch (located behind the infra red sensor) is switched to the ON position (the symbol **I** should be pressed down). Light the appliance in accordance with the instructions in the lighting section within the Users Guide.

## **Check for spillage**

- 1 Before briefing the customer on how to use the appliance, a spillage test must be carried out. The following procedure must be followed.
- 2 Close all doors and windows in the room or space containing the appliance.
- 3 Light a smoke match and pass completely along and just inside the inner flange that is just forward of the opening to the chimney. A visual check should ascertain that all the smoke generated is drawn into the firebox and up the flue.
- 4 If there is evidence of spillage, the flue should be heated for a period of 5 to 10 minutes and the test repeated.
- 5 If there is still evidence of spillage the appliance should be turned off and the chimney and ventilation investigated. The appliance must not be left in an operational state until the faults have been identified and corrected.

## **Briefing the User**

- 1 Demonstrate the full operation of the appliance to the customer, referring them specifically to the ceramic granules, any decorative ceramic shapes and the removal of soot as described in these instructions.
- 2 Inform the customer that all cleaning procedures should be carried out only when the appliance is cold.
- 3 Leave these instructions with the customer.
- 4 Advise the importance of having the appliance serviced and the chimney checked for clearance of combustion products on an annual basis.

## **USERS GUIDE**

### **Useful tips & recommendations**

Once your fire has been fitted, the following recommendations are made to ensure you enjoy the best results from your purchase;

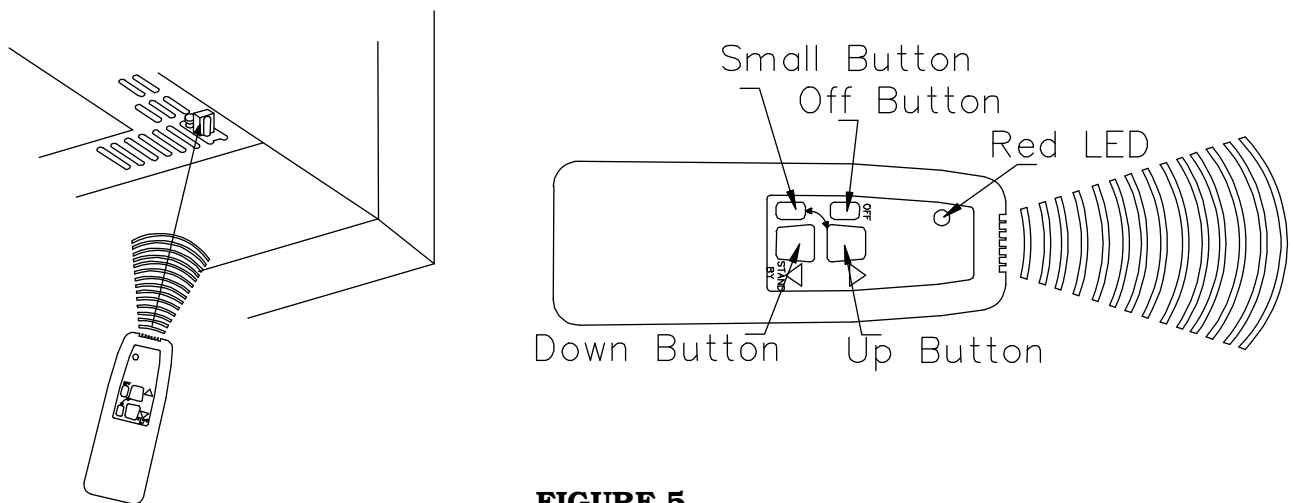
- 1 The installation of this appliance must have been carried out by a qualified installer and in accordance with the requirements of the **Gas Safety (Installation & Use) Regulations**
- 2 The chimney must be swept before the appliance is installed and checked annually to ensure continued clearance of combustion products and that there is no excessive build-up of soot.
- 3 As with any fire, certain components will become hot in use. Care should be exercised when approaching the appliance when it is hot. We also recommend that a fireguard, conforming to BS 6539 or BS 6778, be fitted for the protection of young children, the elderly or infirm.
- 4 When new any ceramic components may produce a slight odour, but this will completely vanish after a few hours of use.
- 5 Handle any ceramic components gently (See warning on Page 9). They are fragile. A soft brush can be used to clean them of any excess soot. **UNDER NO CIRCUMSTANCES** should they be washed.
- 6 Never throw cigarette ends or other foreign matter onto the fire.
- 7 Never leave the house unattended, with the fire alight, for long periods.
- 8 Check periodically that any purpose-made ventilation is free from obstruction.
- 9 To obtain the best results from your fire we recommend that it be serviced annually.
- 10 These instructions are provided to assist you to operate the fire correctly and should be kept in a safe place.
- 11 This appliance is intended for decorative purposes.
- 12 This appliance is fitted with a flue blockage device that will shut off the appliance in the event of abnormal flue conditions. This device is NOT a substitute for an independently mounted carbon monoxide detector.

## **Operation of the fire**

- 1 It should be noted that your fire is fitted with a Flame Supervision Device, which cuts off the gas supply to your fire if, for any reason the pilot light is extinguished. It also monitors constantly the oxygen in the room. The pilot flame heats the thermocouple probe and allows gas to flow to the burners. If due to pilot failure, the thermocouple cools, no gas will flow to the main burner. If the fire is turned off or the flames go out, wait for **AT LEAST 3 MINUTES** before attempting to relight the fire.
- 2 Before attempting to light the appliance ensure that the power supply to the appliance is switched on at the mains and that the appliance ON/OFF switch (located behind the infra red sensor and in front of the pilot burner) is switched to the ON position (the symbol **I** should be pressed down).

## **Lighting the Appliance**

- 1 **Fitting the Battery to the Handset**



**FIGURE 5**

Before using the appliance remove the access cover in the rear of the handset and insert a 9 volt PP3 size battery. Connect the battery by pushing the connector on to the terminals. Make sure the battery is connected correctly. Replace the access cover.

- 2 **Using the Handset**

When using the handset make sure that it is pointed at the infrared signal receiver located just in front of the pilot burner at the right hand end of the main burner (the small black pad )See Figure 5 Unlike a TV control the fire does not react to a quick press on the button on the handset control. The buttons must be pressed and held until the control box under the burner acknowledges the signal by emitting a 'beep' sound (this can take two or three seconds). When the handset is emitting a signal the red LED at the top of the control will light.

- 3 **Lighting the Fire**

To light the fire press the SMALL BUTTON and the UP BUTTON buttons together on the handset until the fire control box answers with a 'beep'. The fire will go through its start - up procedure by lighting first the pilot burner and then the main burner on high fire. This procedure takes about 30 seconds. During this process the fire will emit a regular series of 'beeps'. If the fire does not light or there is no reaction when the two buttons are pressed, press the OFF button to 're-set' the control and try again.

#### 4 **Adjusting the Flame Height**

To lower the flame height press and hold the DOWN BUTTON until the flame is at the desired height. To turn the main burner off and just leave the pilot burner alight continue to press and hold the down button until the main burner does out. To re-light the main burner press and hold the SMALL BUTTON and UP BUTTON together until the flame is at the desired height.

#### 5 **Turning the Fire OFF**

To turn the fire off but leave the pilot burner alight press the DOWN BUTTON until the main burner does out. To turn the fire completely off press the OFF button.

##### **Manual Off Facility**

If, whilst the fire is alight, the handset control is lost or its battery becomes discharged the fire can be turned off by switching the appliance ON/OFF switch (located just behind the signal receiver which is situated just in front of the right hand side of the main burner) to the OFF position which is indicated by the symbol **O**. Caution should be exercised as this switch is situated quite close to the pilot flame. Switch back to the ON position to allow the appliance to be re-lit when required.

##### **Cleaning the fire**

- 1 Ensure that the fire is cold before undertaking any cleaning. Remember that heat is retained for some time after the fire is switched off. In normal use your fire requires only minimal cleaning. Some soot may form on any ceramic pieces placed in the flames but this is generally harmless unless an excessive amount is deposited.
- 2 If large pieces of debris are found in the fire, sufficient to alter the appearance or operation of the appliance, the chimney / flue should be inspected and the appliance serviced before further use.

In any event, the chimney should be checked annually to ensure continued clearance of the combustion products and that there is no excessive build-up of soot.

## SERVICE AND MAINTENANCE

### WARNING

**This product may use fuel effect pieces containing Refractory Ceramic Fibre (RCF). This material contains man-made vitreous silicate fibres along with fibrous glass and mineral wool. Excessive exposure to these materials may cause temporary irritation to eyes, skin and respiratory tract; consequently, it makes sense to take care when handling these articles to ensure that the release of dust is kept to a minimum.**

**The appliance should be serviced at least once a year by a CORGI registered engineer. This is the basic procedure.**

- 1 Any refractory shapes should be taken off the fire and shaken to remove any debris but should only be cleaned if absolutely necessary. This should be done by gently brushing with a soft brush in a direction away from the person and any persons nearby. This operation should be performed outside facing downwind. A vacuum cleaner **must** not be used for this purpose.
- 2 Undo the four screws holding the infill grill in position a lift it out of the firebox. Lift the main burner and the heat shield out of the firebox. The gas supply should be turned off at the combination pressure test point and isolator fitting. Disconnect the control mount from the gas supply and lift it out of the lower firebox after unplugging the lead from the power supply unit from the electronic control box.
- 3 Empty the ceramic gravel from the burner on to a clean surface and thoroughly clean the burner ports.
- 4 The pilot burner fitted is an oxygen depletion pilot burner and is the primary safety device on the appliance. It must therefore be replaced annually. After changing the pilot burner operate the spark generator and observe that the spark is satisfactory.
- 5 Lay the control mount assembly on a flat surface and remove, clean and replace the main injector.
- 6 Any soot or debris should be removed from the fireplace and flue. The flue should be inspected for soundness and a smoke test performed as described in the fitting section to check the condition of the flue.
- 7 Replace the control mount in position making sure that the holes locate over the studs in the base of the firebox. Re-connect the gas supply and the lead from the power supply unit. Place the heat shield in position. Place the burner in position ensuring that the mixing tube locates in its hole in the burner mount over the injector. Carefully place the infill grill in position with locating tabs engaging with the slots in the front lower part of the firebox and fix in place with the four screws removed in paragraph 2. Refill the burner with the ceramic gravel making sure that the burner ports between the flame guides down the centre are left completely clear. Inserting a piece of corrugated cardboard between the flame guides will help keep the burner ports clear during this operation. Replace any refractory shapes that were in place on the burner.
- 8 **AFTER REFITTING THE APPLIANCE CHECK FOR GAS SOUNDNESS AT ALL GAS JOINTS AND TEST FOR SPILLAGE.**

### **Handset Battery Replacement**

- 9 The handset is powered by one Alkaline 9volt PP3 size battery. If the fire fails to respond to the handset control check that the LED on the handset flickers whilst pressing the "Off" & the "Standby" buttons at the same time. If the LED does not light, the battery in the handset requires renewing. To change the battery in the handset, remove the battery cover on the underside of the handset, unclip the battery from its connector and put a new one put in its place. Replace the cover.

## **Spare Parts List**

In the event of a part requiring replacement the parts list is as follows

<b>Part Description</b>	<b>Part Number</b>
Electronic Control & Remote Handset	G6R-PISOA5A0S5
Motorised Control Valve	GV60M1C5A0D5K10L
Oxypilot (NG models)	Seagas P4-61
Oxypilot (LPG models)	Seagas P4-58

**B-112070**  
Issue 3

**BFM Europe Limited**  
**Trentham Lakes**  
**Stoke on Trent, Staffordshire ST4 4TJ**  
**Tel: (01782) 339000 Fax: (01782) 339009**  
**Email: [info@bfm-europe.com](mailto:info@bfm-europe.com)**  
[www.bfm-europe.com](http://www.bfm-europe.com)