

VERINE

ACCLAIM & VICTORIAN INSET GAS COAL FIRE

Manual, EFC & Remote Control

**THIS IS NOT A
'DO-IT-YOURSELF' PRODUCT
THIS APPLIANCE MUST BE INSTALLED
BY A CORGI REGISTERED PERSON**

INSTALLATION, SERVICING AND USERS INSTRUCTIONS



THESE PRODUCTS ARE APPROVED TO THE EUROPEAN GAS DIRECTIVE

THESE INSTRUCTIONS SHOULD BE RETAINED
BY THE USER FOR FUTURE REFERENCE

1. APPLIANCE DATA – REMOTE MODELS

| Model | Gas Type | Heat Input (kW) | Supply Press (mbar) | Injector size (mm) | Conn- ection (mm) | Burner | |
|-----------------|----------|-----------------|---------------------|--------------------|----------------------|-------------|-------------|
| | | | | | | Weight (kg) | Dims (mm) |
| NITC/D/P16RN | NG | 6.7 | 20 | 2 | 8 | 3.5 | 353x200x152 |
| NITC/D/P16/RNVR | NG | 8.2 | 20 | 2.3 | 8 | 3.5 | 353x200x152 |
| NITC/D/P16RP | LPG | 6.9 | 37 | 1.31 | 8 | 3.5 | 353x200x152 |
| NITC/P18RNVR | NG | 9.6 | 20 | 2.75 | 8 | 3.5 | 403x200x152 |
| NITC/D/PRPVR | LPG | 10.3 | 37 | 1.52 | 8 | 3.5 | 403x200x152 |

APPLIANCE DATA – MANUAL MODELS

| | | | | | | | |
|----------------|-----|------|-----|---------|---|-----|-------------|
| NITC/D/P16MN | NG | 6.7 | 20 | 1.9 | 8 | 3.5 | 353x200x152 |
| NITC16MNV | NG | 6.7 | 20 | 1.9 | 8 | 3.5 | 353x255x200 |
| NITC/D/P16MNVR | NG | 8.2 | 20 | 2.3 | 8 | 3.5 | 353x200x152 |
| NITC/D/P16MP | LPG | 6.9 | 37 | 1.31 | 8 | 3.5 | 353x200x152 |
| NITC16MPV | LPG | 6.9 | 3.7 | 1.31 | 8 | 3.5 | 353x255x200 |
| NITC/D/P18MN | NG | 9.6 | 20 | 2.55 | 8 | 3.5 | 403x200x152 |
| NITC/D/P18MP | LPG | 10.3 | 37 | 1.52 | 8 | 3.5 | 403x200x152 |
| NITC/D/P22MN | NG | 14.0 | 20 | 7 x 1.2 | 8 | 4.0 | 500x200x152 |
| NITC/D/P22MP | LPG | 12.7 | 37 | 1.8 | 8 | 4.0 | 500x200x152 |

APPLIANCE DATA – EFC MODELS

| Model | Gas Type | Heat Input (kW) | Supply Press (mbar) | Injector size (mm) | Conn- ection (mm) | Burner | |
|--------------|----------|-----------------|---------------------|--------------------|----------------------|-------------|-------------|
| | | | | | | Weight (kg) | Dims (mm) |
| NITC/D/P16TN | NG | 6.7 | 20 | 2 | 8 | 3.5 | 353x200x152 |
| NITC/D/P16TP | LPG | 6.9 | 37 | 1.31 | 8 | 3.5 | 353x200x152 |

LIST OF COMPONENTS – INSET BURNERS.

1. Acclaim Inset burner unit (16, 16NV, 16 Victorian, 18 or 22).
2. 1 Ceramic base piece (some ceramics may be in two halves.)
3. Bag Of Coals (For Quantities See Table Below)

| | | | |
|-------------|-----------|----------|-----------|
| Black Coals | 16" model | 18 Large | 20 Random |
| | 18" model | 22 Large | 24 Random |
| | 22" model | 30 Large | 28 Random |
4. If Pebble fire:

| | | | |
|---------|-----------|------------|----------------|
| Pebbles | 16" model | 21 Pebbles | 11 Large Coals |
| | 18" model | 26 Pebbles | 14 Large Coals |
| | 22" model | 31 Pebbles | 20 Large Coals |
5. If Driftwood Fire
13 pieces. 1 x Piece 1, 3 x Piece 2, 3 x Piece 3, 3 x Piece 4, 2 x Piece 5 and 1 x unmarked
6. Installation and Users Instructions.
7. Guarantee Card.

REMOTE CONTROL MODELS.

1. 1 Handset Control Unit complete with 1 PP3 size 9 volt Alkaline battery
2. 4 AA Alkaline Batteries

EASYFLAME MODELS.

1. 4 x 1.5 volt AA size alkaline batteries and battery holder.

1. GENERAL INSTALLATION REQUIREMENTS.

- 1.1. The law demands that all gas appliances are installed by a CORGI Registered installer in accordance with the current **GAS SAFETY (INSTALLATION AND USE REGULATIONS)**. The installation must comply with these installation instructions and all relevant parts of Local and National Building Standards (Scotland) (Consolidation) Regulations and those relevant recommendations of the following British Standards. This appliance is intended for decorative purposes.

BS 5871: Part 3. BS 8303 BS5440: Parts 1 and 2. BS 1251

BS 6891 BS 5482: Part 1.

These Installation Instructions must be adhered to without exception.

- 1.2. The appliance can be fitted to fireplaces, which meet the dimensional requirements shown in Figure 2. The hearth must be of non-combustible material, BS 5871; Part 3, and must meet the dimensional requirements stated therein.
- 1.3. Decorative frets must have a minimum of 5160mm² (8 square inches) of free air space through the ash-cover.

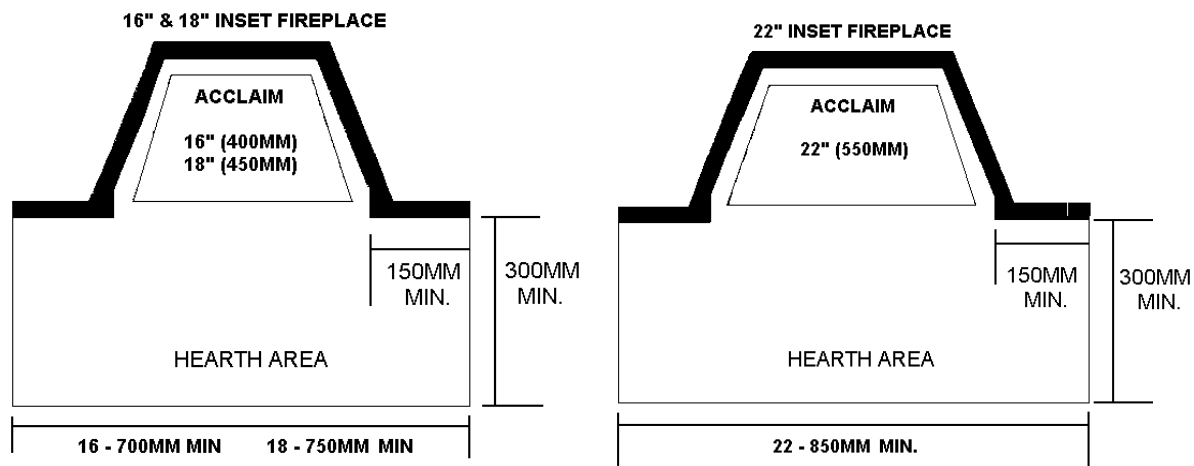


Figure 1.

- 1.4. **Fireplace.** The 16 model requires a nominal 16" (400mm) size fireback, which complies with BS 1251 together with a surround, which should be at least 40mm thick to give a total depth of at least 8¼" (210mm). It should be assembled in accordance with BS 8303, so that the height of the fire opening, measured from the hearth, should not exceed 22" (560mm). The 18 model requires a fireback of nominal 18" (450mm) size, with all other requirements as for the 16 model. The 22 model requires a fireplace opening to the dimensions in Figure 1 with a total depth of at least 210mm.
- 1.5. **The Hearth.** The Appliance must be fitted with a non-combustible hearth having a minimum thickness of 12mm (½"). The hearth must extend at least 300mm (12") in front and a minimum of 150mm (6") either side of any naked flame or incandescent radiant source. The periphery of the hearth must be at least 50mm (2") above the floor level. (Under BS 5871, Part 2, the installation of a fender of 50mm (2") high will satisfy this requirement).
- 1.6. **Hole-in-the-wall installation.** We recommend that a hearth is installed detailed in 1.5.
- If a hearth is not fitted, the fire must be installed so that the distance from the base of
- The fireplace opening to the finished floor level is not less than 125mm.
- 1.7. The chimney should be of the open-flue type and have a minimum cross-sectional dimension not less than 175mm (7"). For exceptions see page 5
- 1.8. The flue must have a minimum effective height of 3 metres.
- 1.9. No restrictor plate or flue damper is permitted. Where a variable damper is fitted, this must be removed or fixed permanently in the fully open position.
- 1.10. The chimney must be swept before the appliance is installed and a flue test in accordance with National Regulations must be carried out. The flue materials must be of at least a T250 rating or as per page 5.
- 1.11. **VENTILATION.**
- NITC/D/P16MN, TN & RN, NITC16MNV models Manual, EFC and Remote
 NITC/D/P16MN, TN & RP, NITC16MPV models Manual, EFC and Remote
- There is no requirement for purpose made ventilation into the room containing the above appliances – subject to a satisfactory spillage test.
- NITC/D/P16MN & RNVR models Manual and Remote Natural Gas
 NITC/D/P18MN & NITC/D/P22MN models Manual and Remote Propane

The room containing the appliance must have a permanent air vent of at least 100cm². The vent must be either direct to outside air or to an adjacent room having a permanent air vent of the same area.

ADDITIONAL INSTALLATION INSTRUCTIONS FOR 16" ACCLAIM INTO A 125MM GAS FLUE SYSTEM

All Natural Gas Models

The abovementioned models (**NG, NGV NG NV and LPG**) may be installed into a gas flue system with a minimum flue diameter of 125mm subject to the following conditions being met:-

1. The maximum opening size for the installation is 560mm x 405mm (22" x 16").
2. The flue must have a minimum effective height of 3 metres.
3. Flue materials comply with the requirements of BS 715:2005.
4. Metal flue boxes comply with BS 715:2005 and with the minimum dimensions shown in Figure 1. A 50mm air gap clearance must be maintained between the outside of the box and any combustible material. Manufacturer's installation instructions must be followed.

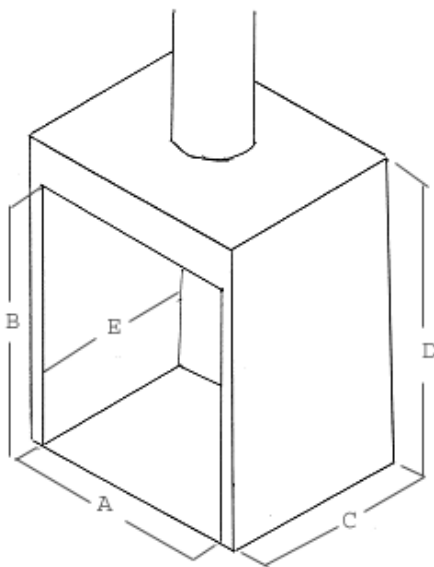


Figure 2.

| A | B | C | D | E |
|-------|-------|-------|-------|-------|
| 480mm | 585mm | 390mm | 675mm | 375mm |

5. The installation must conform to:-
 Relevant Building Regulations.
 BS 5871 Part 2 and 3, BS 5440 Parts 1 and 2.
 IGE/UP/7 for installations in Timber Frame Buildings.
6. On completion of the installation a spillage test must be carried out following the procedure in paragraphs 5.1 – 5.3.

2. FITTING THE APPLIANCE

- 2.1. Check the appliance is the correct type for the fireplace into which it is to be installed. See Figure 1.
- 2.2. Check the ignition system functions correctly. Push and turn the control knob and check that a spark is generated at the pilot burner. If no spark is evident, check soundness of leads.
- 2.3. Check tightness of nut at the control valve end of the thermocouple.

CAUTION: Do not over tighten.

- 2.4. It is recommended that, before proceeding further, a simple smoke test be performed to check the condition of the chimney. Light a smoke match or a twist of rolled paper, hold it within the fireplace opening and observe the behaviour of the smoke. If it is being drawn into the chimney proceed with the installation. If not, reheat the chimney over a period of a few minutes and recheck. If smoke still fails to clear, further investigation of the chimney is required and the appliance **MUST NOT** be fitted.
- 2.5. The gas supply should be routed from the meter or cylinder to a point convenient to the fireplace. Cut and form a section of 8mm pipe – only rigid or semi-rigid tubing is acceptable – and run this into the fireplace opening. If a concealed fitting is required, care must be taken to sleeve the supply pipe when fitting through masonry.
- 2.6. Place the appliance centrally within the fireplace opening.
- N.B.** No part of the appliance should project beyond the vertical opening of the fireplace opening.
- 2.7. Using the nut and olive provided, connect the 8mm supply pipe to the combined pressure test point and isolator fitting.
- N.B.** Provision is made for securing the appliance to the hearth using the two holes under the fascia panel.
- 2.8. The Victorian Hi-Leg Acclaim is fitted with a metal plate attached to the front of the burner. This plate may be cut to suit the profile of the Victorian cast front bars/fret.

Additional notes for Remote Control Models

The installation of the appliance should be carried out as above. After installing the burner and connecting the gas supply the battery heat shield must be re-fitted to the side of the fascia with the two self tapping screws provided (16 & 18" Burners only).

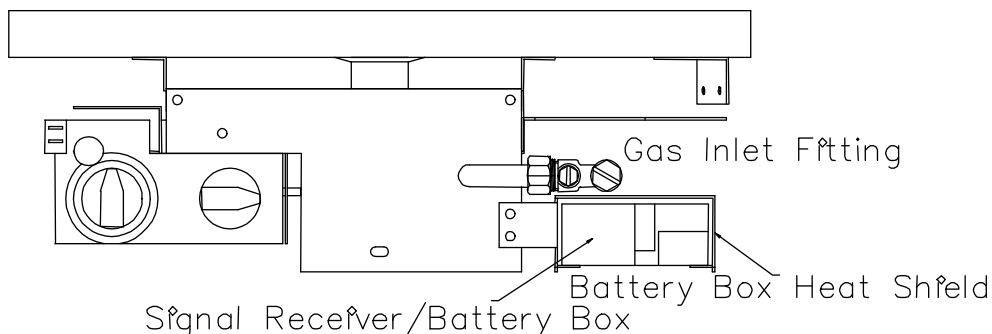


FIGURE 3
16" & 18"
Burners

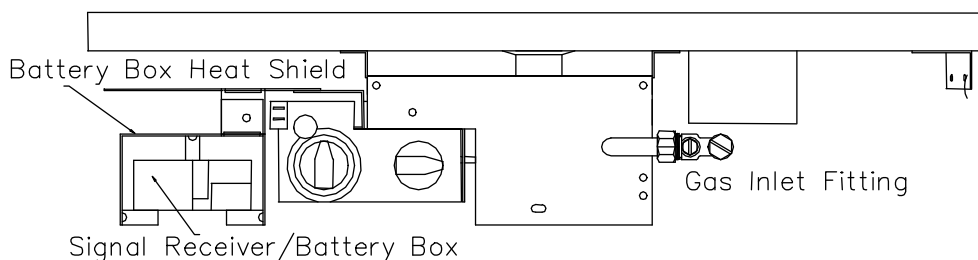


FIGURE 4
22" Burner

Additional notes for EFC Models

Remove the gas control battery pack from its heat shield beside the fascia. (See Fig. 3

Insert the four AA size alkaline batteries into the battery holder observing the correct polarities. Replace the battery holder in its heat shield beside the burner fascia.

GAS SOUNDNESS CHECK.

2.15 With the gas supply connected, all joints should be checked for gas soundness in accordance with BS 6891.

NOTE: It is permissible to light the fire **FOR SHORT PERIODS ONLY** when the fire is not laid with the ceramics and coals.

3. PLACING THE COALS (FOR PEBBLE LAYS SEE PAGE 8, DRIFWOOD PAGE 9)

- 4.1. Take the base ceramic and place it on the burner tray.
- 4.2. With reference to figure 5, lay the coals as follows:-
- 4.3. a) Place a row of four large coals on the raised slotted part of the ceramic at the rear of the burner. These coals should be pushed together and back as far as possible. **ROW A**

b) Place four more large coals directly on top of the four already placed, once again these should be pushed together and backwards. **ROW B.**

c) Place a row of five large coals spaced approximately 5mm apart, across the middle of the base ceramic in the marked zone. **ROW C.**

d) Place a row of five large coals so that they rest on top of the coals of ROW C and rest firmly against the coals of ROW B. **ROW D.**

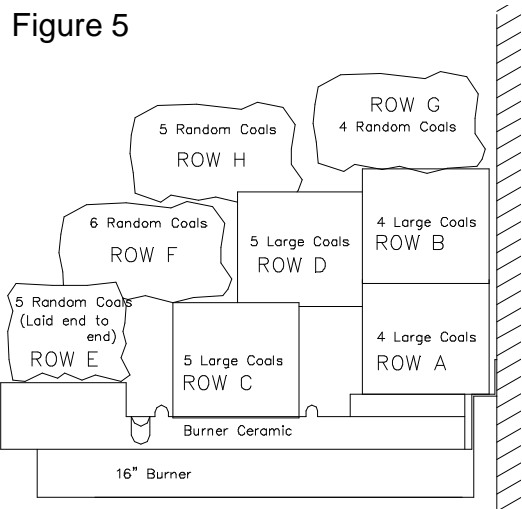
e) Place five random coals along the top of the raised slotted part of the base ceramic at the front of the burner. These coals should be positioned so that they are touching. **ROW E.**

f) Place a row of six random coals between the five front coals and the five large coals. **ROW F.**

g) Place a row of four random coals between ROW B and ROW D **ROW G.**

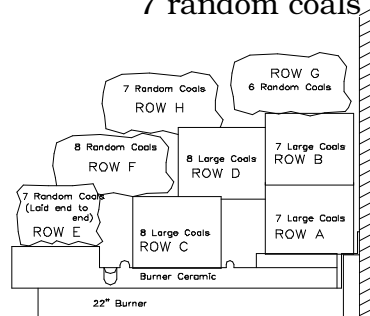
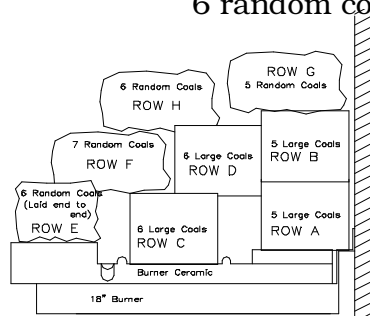
h) Place another row of five random coals between ROW D and ROW F. **ROW H.**

4.4. The coal layout described above is for the 16” models. For the 18” and the 22” models the same method should be used, i.e., with all the coals spaced as described, however, the following quantities should be used.



| | <u>18" MODELS</u> (Figure 6) |
|-------|---------------------------------|
| Row A | 5 large coals |
| Row B | 5 large coals |
| Row C | 6 large coals |
| Row D | 6 large coals |
| Row E | 6 random coals |
| Row F | 7 random coals |
| Row G | 5 random coals |
| Row H | 6 random coals |

| | <u>22" MODELS</u> (Figure 7) |
|-------|---------------------------------|
| Row A | 7 large coals |
| Row B | 7 large coals |
| Row C | 8 large coals |
| Row D | 8 large coals |
| Row E | 7 random coals |
| Row F | 8 random coals |
| Row G | 6 random coals |
| Row H | 7 random coals |



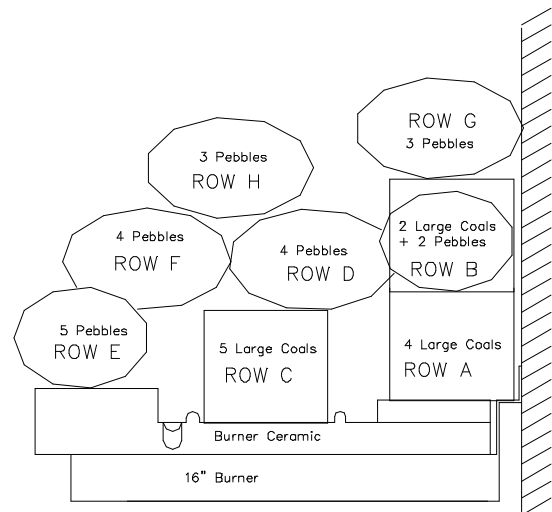
ASSEMBLING THE FIRE AND PLACING THE COALS & PEBBLES.

CAUTION All the ceramic components are fragile and should be handled with care.

Take the base ceramic and place it on the burner tray .

With reference to the diagrams below, lay the coals and pebbles as follows:-

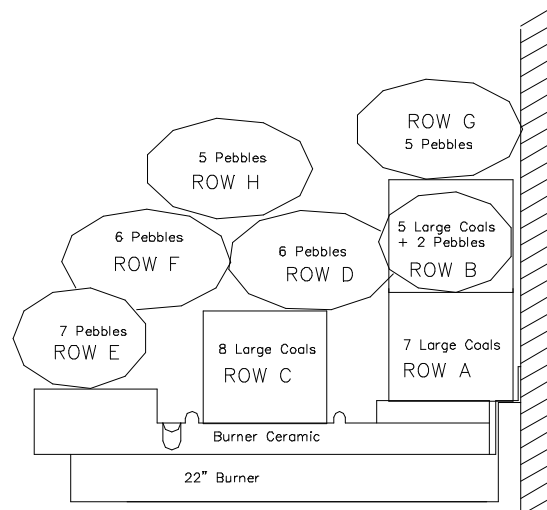
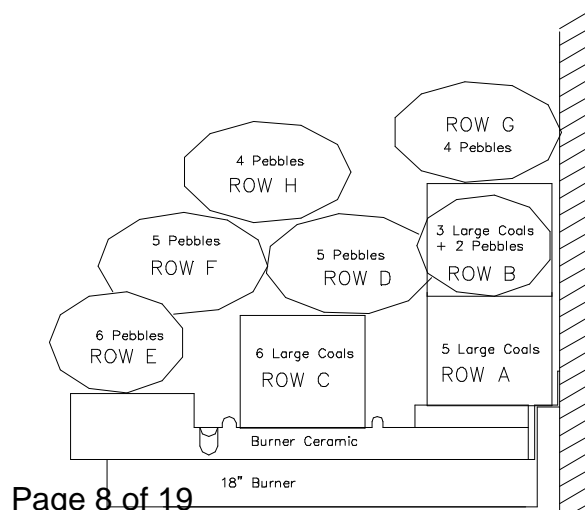
- Place a row of four large coals on the raised slotted part of the ceramic at the rear of the burner. These coals should be pushed together and back as far as possible. **ROW A**
- Place two large coals directly on top of the centre two coals of the four already placed. Place a pebble either side of these two coals. **ROW B.**
- Place a row of five large coals, spaced approximately 5mm apart, across the middle of the base ceramic in the marked zone. **ROW C.**
- Place a row of four pebbles so that they rest on top of the coals of ROW C and just touch the coals and pebbles of ROW B. **ROW D.**
- Place five pebbles along the top of the raised slotted part of the base ceramic at the front of the burner. These pebbles should touch each other. **ROW E.**
- Place a row of 4 pebbles so that they rest on the pebbles of Row E and on the coals of Row C. **ROW F.**
- Place a row three pebbles along the back of the fireplace or firebox resting on Row B. **ROW G.**
- Place a row of three pebbles so that the rest partly on the pebbles of Row F and partly on those of Row D. **ROW H.**



If desired a further pebble may be placed either side of Row D.

- The layout described above is for the 16" models. For the 18" and the 22" models the same method should be used, i.e., with all the pebbles and coals spaced as described, however, the following quantities should be used.

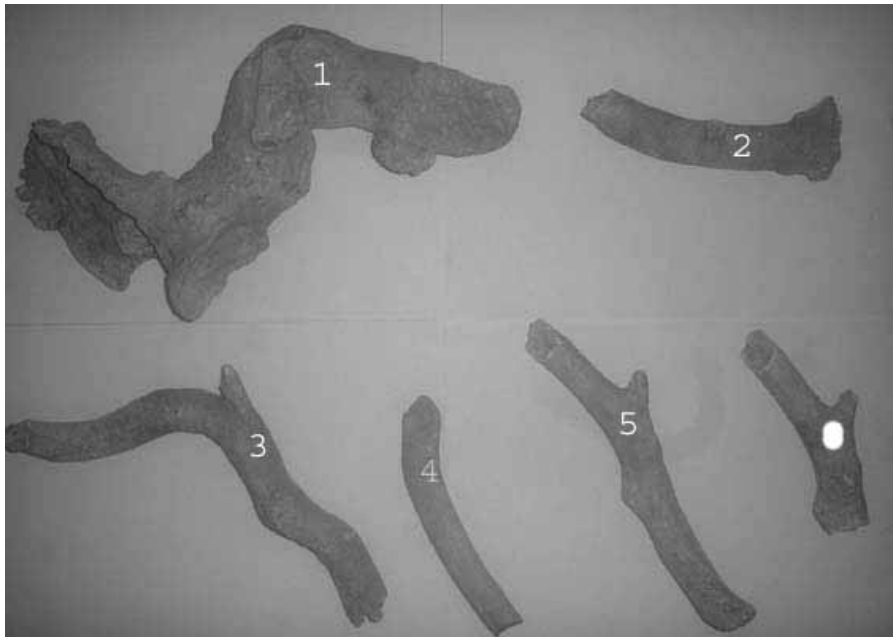
| | <u>18" MODELS</u> | <u>22" MODELS</u> |
|-------|---------------------------|---------------------------|
| Row A | 5 large coals | 7 large coals |
| Row B | 3 large coals + 2 pebbles | 5 large coals + 2 pebbles |
| Row C | 6 large coals | 8 large coals |
| Row D | 5 pebbles | 6 pebbles |
| Row E | 6 pebbles | 7 pebbles |
| Row F | 5 pebbles | 6 pebbles |
| Row G | 4 pebbles | 5 pebbles |
| Row H | 4 pebbles | 5 pebbles |



ASSEMBLING THE FIRE AND PLACING THE DRIFTWOOD

CAUTION All the ceramic components are fragile and should be handled with care.

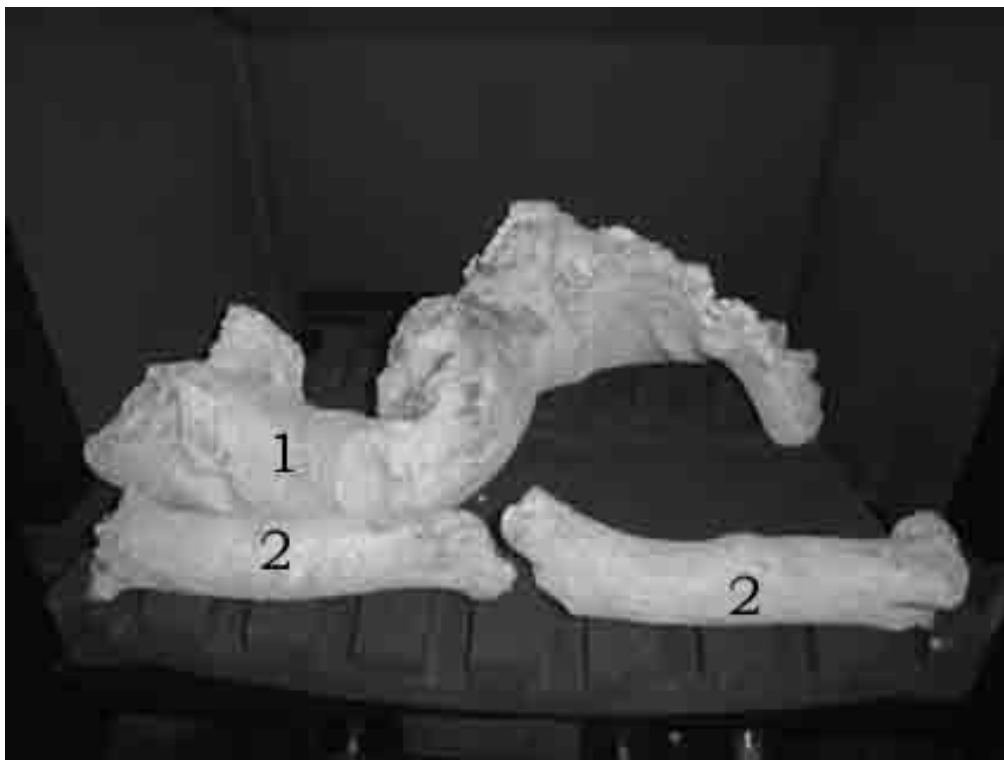
Take the base ceramic and place it on the burner tray.



The Driftwood pieces have numbers from 1 to 5 underneath to identify them.

1 piece has no number.

a) Lay Piece 1 and 2 x Piece 2 as shown in Photograph A

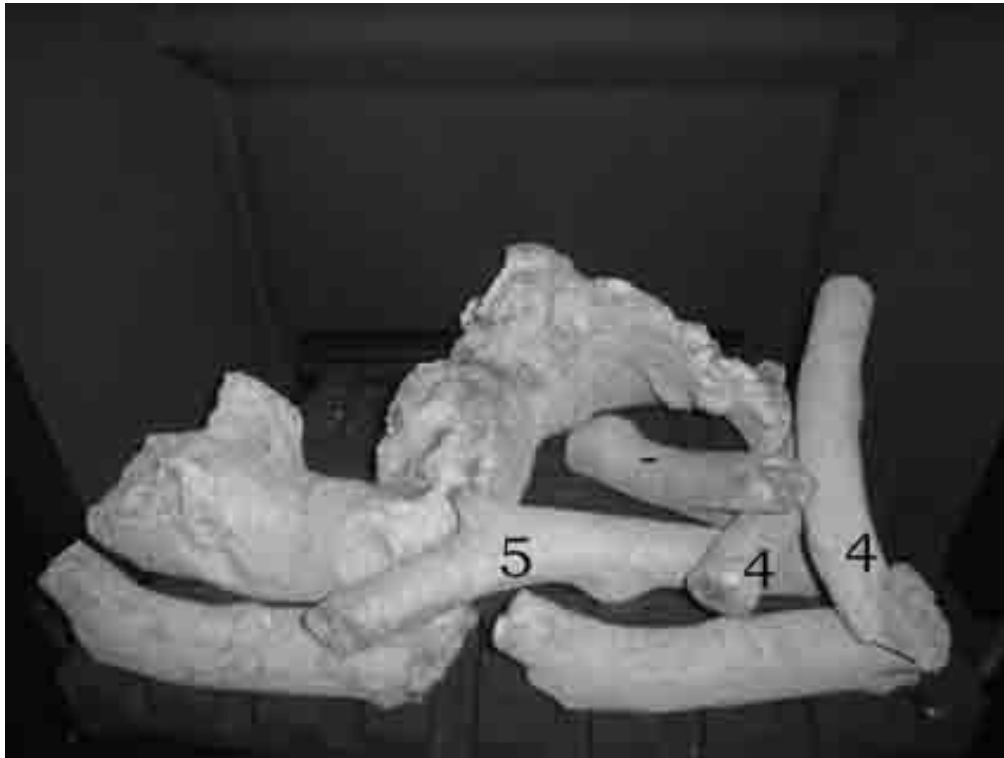


Photograph A

b) The rest of the pieces can be laid randomly. Make sure the burner ports are left uncovered.

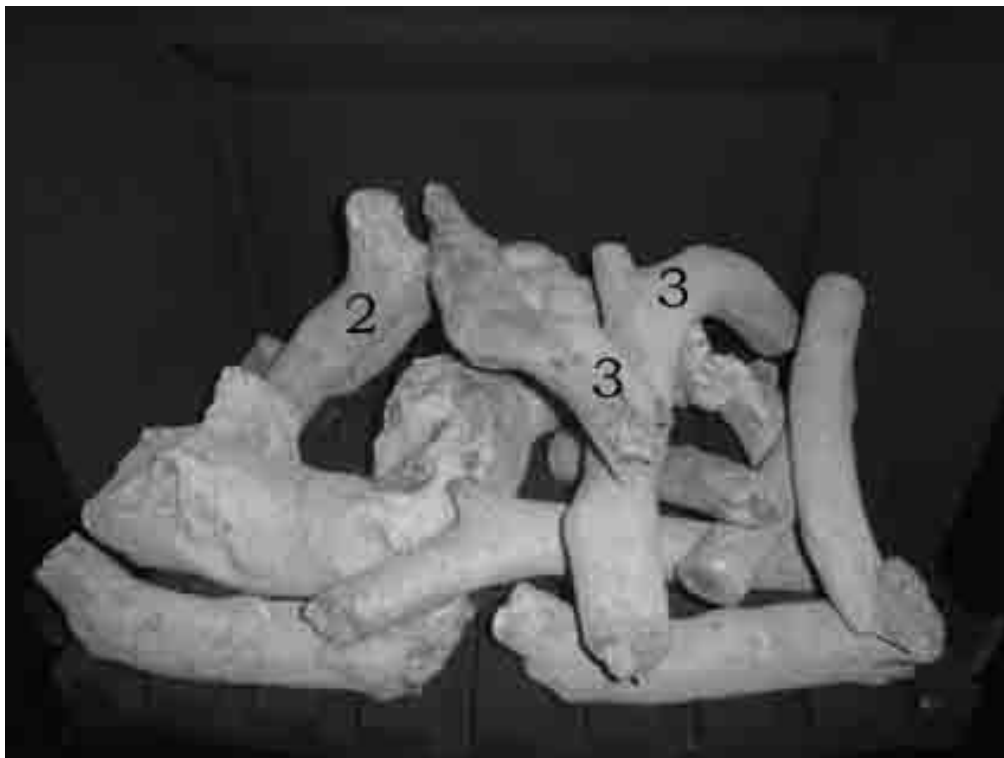
However we recommend the following Lay.

Lay 2 x Piece 4 , 1 x Piece 5 and the unmarked Piece as shown in Photograph B



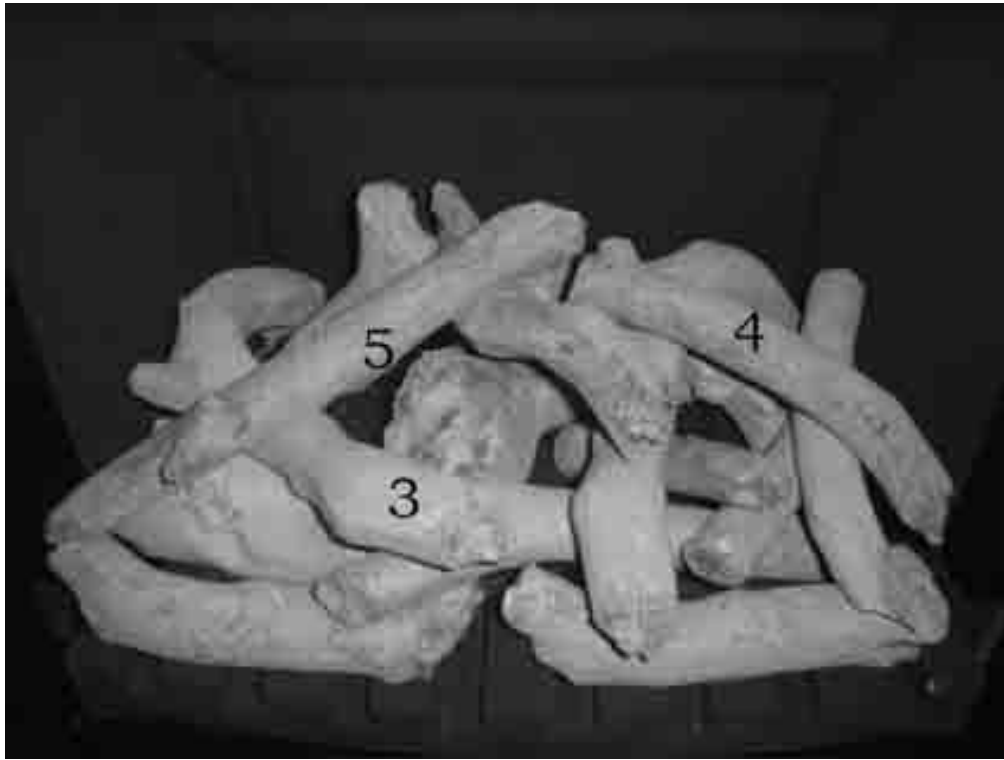
Photograph B

c) Lay 2 x Piece 3 and 1 x Piece 2 as shown in Photograph C



Photograph C

Lay 1 x Piece 3, 1 x Piece 4 and 1 x Piece 5 as shown in Photograph D



Photograph D

Lighting the Appliance

Full details on how to operate each of the appliances can be found as follows;

5. CHECK FOR SPILLAGE.

Before briefing the customer on how to use the appliance, a spillage test must be carried out with the appliance and decorative fret in position. The following procedure must be followed.

- 5.1. Close all doors and windows in the room or space containing the appliance.
- 5.2. Light the appliance and burn at maximum for 10 minutes.
- 5.3. Light a smoke match and pass completely along the inside of the top front edge of the fireplace opening. A visual check should ascertain that all smoke generated is drawn back into the fireplace opening.

6. BRIEFING THE USER.

- 6.1. Demonstrate the full operation of the appliance to the User, referring them specifically to the lay of the coals and removal of soot, as described in the User Instructions.
- 6.2. Inform the User that all cleaning procedures should be carried out **ONLY** when the appliance is cold.
- 6.3. Leave these Instructions, and Users Instructions with the User.
- 6.4. Advise the importance of having the appliance serviced and the chimney checked for clearance of combustion products on an annual basis.

IF THE BURNER IS TURNED UPSIDE DOWN FOR ANY REASON, EXTREME CARE MUST BE TAKEN NOT TO DAMAGE THE PILOT ASSMEBLY.

LIGHTING THE APPLIANCE –MANUAL MODELS.

(Figure 8 – 16 & 18 models, Figure 9 – 22 models)

- 6.5. Remove the cap from the isolator fitting and unscrew the plug all the way out. Replace cap making sure that the tab engages with the slot in the top of the plug. Tighten cap securely.
- 6.6. Push in and turn the control knob anti-clockwise to the PILOT position.

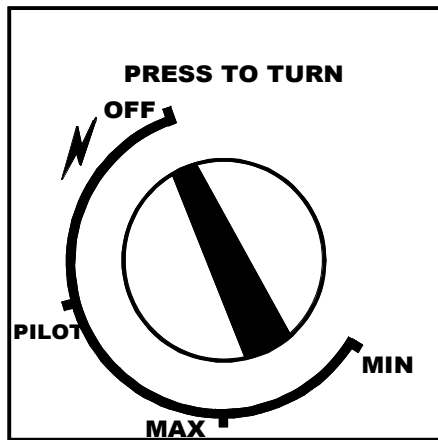


Figure 8.

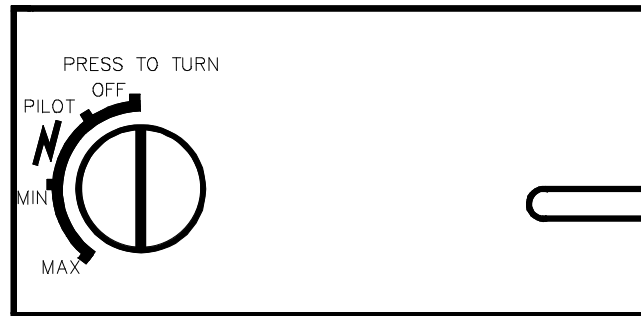


Figure 9.

- 6.7. Hold the knob in for several seconds to purge any air from the system.
- 6.8. With the knob still depressed turn it from the “OFF” position to the “PILOT” position until the pilot ignites. Continue to depress the control knob for a further 10-15 seconds. Release the control knob, the pilot should stay alight. If the pilot flame goes out, repeat the process, holding down the control knob for a slightly longer period.
- 6.9. Depress the control knob slightly and turn anti-clockwise to the HIGH position. The main burner should now light.
- 6.10. Turn the control knob anti-clockwise to the LOW position. The flames will get lower but the main burner should remain alight.
- 6.11. Depress the control knob slightly and turn clockwise to the PILOT position. The main burner should go out but the pilot flame should remain alight.
- 6.12. Depress the control knob slightly and turn clockwise to the OFF position. The pilot flame should go out.

IMPORTANT:

AFTER TURNING OFF, OR IF THE PILOT AND APPLIANCE GO OUT FOR ANY REASON, WAIT 3 MINUTES BEFORE ATTEMPTING TO RELIGHT.

Remote Control Appliances

- 1 Remove the gas control battery pack – signal receiver from its heat shield beside the fascia.
- 2 Slide back the battery compartment cover and insert the four AA size alkaline batteries observing the correct polarities. Replace the cover and place the battery container back in its heat shield beside the burner fascia.
- 3 Fit the battery into the handset by removing the access cover in the rear of the handset and inserting a 9 volt PP3 size battery. Connect the battery by pushing the connector on to the terminals. Make sure the battery is connected correctly. Replace the access cover.
- 5 If the appliance is to be left unattended for a long period (more than a weekend) Control Knob 'A' should be turned to the 'Pilot' or 'Off' positions. This to ensure that the receiver cannot respond to extraneous sound waves.

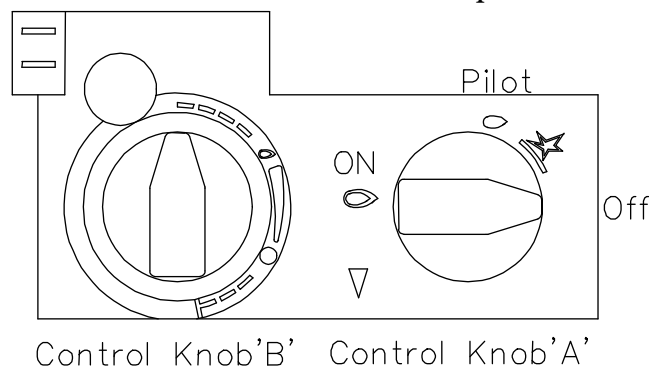


FIGURE 10

Lighting.

- a) Push in and turn control knob 'A' anti-clockwise to the PILOT position.
- b) Hold knob 'A' in for several seconds to purge any air from the system.
- c) With knob 'A' still depressed turn it from the "OFF" position to the "PILOT" position until the pilot light ignites. Continue to depress the control knob for a further 10-15 seconds. Release the control knob, the pilot should stay alight. If the pilot flame goes out, repeat the process, holding down the control knob for a slightly longer period.
- d) Depress control knob 'A' slightly and turn anti-clockwise to the ON position. The main burner will not operate until this is done. The main burner may light depending on the position of Control Knob 'B'.

Manual Override.

Turn Control Knob 'B' anti-clockwise to increase the flame height and clockwise to decrease the flame height.

Note; a loud clicking noise will be heard when Control Knob 'B' is turned manually. This sound comes from the spring loaded dog clutch between the knob and the motor and can be ignored.

Extinguishing.

- a) **Manual Override.** Turn Control Knob 'B' fully clockwise. This will turn off the main burner leaving the pilot burner alight.
- b) Turn Control Knob 'B' to the pilot position. This will also turn off the main burner leaving the pilot burner alight.
- c) To extinguish the pilot burner. Turn Control Knob 'B' to the off position.

Adjusting Flame Height using the Remote Control Handset (Figure 11).

The remote control system fitted to the fire uses ultrasound to transmit the signals between the handset and the fire. It will work best if the grill at the

front of the handset is pointed in the direction of the fire. To prevent inadvertent ignition of the fire the UP button on the handset will not function unless the SMALL button is held down at the same time. A loud clicking noise indicates that control knob 'B' has reached the end of its travel.

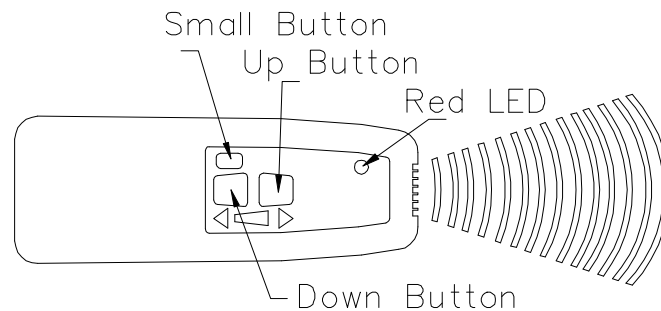


FIGURE 11

a) **Make sure that the pilot burner has been lit and Control Knob 'A' has been turned to the ON position.**

b) To light the main burner or increase the flame height press and hold both the SMALL and the UP buttons on the handset. Release when the flame is at the desired height. The electric motor should be heard moving Control Knob 'B'.

c) To extinguish the main burner or reduce the flame height press and hold the DOWN button on the handset. Release when the flame is at the desired height or has gone out. Once again the electric motor should be heard moving Control Knob 'B'.

Handset Battery Replacement

The handset is powered by one Alkaline 9volt PP3 size battery. If the fire fails to respond to the handset control check that the red LED on the handset lights whilst pressing either the DOWN button or the SMALL and UP buttons together. If the LED does not light, the battery in the handset requires renewing. To change the battery in the handset, remove the battery cover on the underside of the handset, unclip the battery from its connector and put a new one put in its place. Replace the cover.

Burner Battery Replacement

If the Handset appears to be functioning but it does not cause the electric motor to operate, the batteries under the burner will need renewing.

Slide out the gas control battery pack signal receiver from its heat shield beside the gas control. Slide back the battery compartment cover and replace the four AA size alkaline batteries observing the correct polarities. Replace the cover and then replace the battery pack in its heat shield.

Adjusting the Flame Height using the Eazyflame Control (See Figure 12)

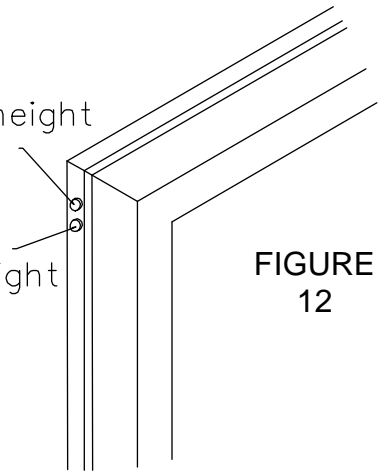
a) Make sure that the pilot burner has been lit and Control Knob 'A' has been turned to the ON position.

b) To light the main burner or increase the flame height press and hold the top button on the frame switch. Release when the flame is at the desired height. The electric motor should be heard moving Control Knob 'B'. A loud clicking noise indicates that control knob 'B' has reached the end of its travel.

c) To extinguish the main burner or reduce the flame height press and hold the lower button on the frame switch. Release when the flame is at the desired height or has gone out. Once again the electric motor should be heard moving Control Knob 'B'. A loud clicking noise indicates that control knob 'B' has reached the end of its travel.

Press this button to increase flame height

Press this button to reduce flame height
and to turn off



**FIGURE
12**

CLEANING THE APPLIANCE

1. Ensure that the fire is cold before undertaking any cleaning. Remember that heat is retained for some time after the fire is switched off. In normal use the appliance requires only minimal cleaning. If it is necessary to remove all coals for cleaning then any soot or debris should be removed from the ceramic element and from the burner, a soft paintbrush may be used for this purpose, any loose particles may now be vacuumed up.

NOTE: *The rear ceramic element is very fragile and should be treated very carefully, it should not be scraped, washed, rubbed with any hard object or rubbed with hands. If after cleaning there are any white patches re spray the ceramic with a can of water based coal/ceramic paint obtainable through your local stockist.*

If larger pieces of debris are found in the fire – sufficient to alter the appearance or operation of the appliance - the chimney should be checked and inspected and the appliance serviced before further use.

In any event, the chimney should be checked annually to ensure continued clearance of the combustion products and that there is no excessive build-up of soot.

CAUTION

Some chimneys built before 1965 were not lined with a clay liner but coated with a sand/cement mixture. When a fire is lit under such a chimney that has recently been swept, the drying effect can cause particles of the coating to flake and drop down the chimney onto the fire. If this debris is excessive, particles may block the burner slots.

As with any precision made working appliance, attention must be given to ensuring it is able to work as designed.

Should there be evidence of sand or other deposits falling onto the fire, we advise that the fire is checked to ensure the burner slots are not blocked. Remove the coals and ceramics from the fire and remove the deposits by blowing or by the use of a vacuum cleaner. Relay the fire by following the instructions.

RELAYING THE FUEL BED.

The fuel bed layout is critical to the correct performance of the fire. Do not attempt to alter it by removing or increasing the number of coals supplied.

If any coals are dislodged, or after cleaning, it is important that they are replaced in the same manner as when originally fitted.

Observe the following instructions.

1. Take the base ceramic and place it on the burner. **NOTE:** On some models the base ceramic is in two halves.
2. With reference to the Installation Instructions, lay the fuel bed as per instructions (see pages 7 – 11)

SERVICING AND MAINTENANCE – ALL MODELS.

Your appliance should be serviced annually in order to ensure no deterioration in its performance and appearance. We recommend that you contact your supplier who will ensure that the work is carried out by a CORGI registered person.

BEFORE ANY SERVICING ENSURE THAT THE GAS SUPPLY AND ELECTRICAL SUPPLY (IF RELEVANT) TO THE APPLIANCE ARE TURNED OFF.

AFTER REFITTING THE APPLIANCE, CHECK FOR GAS SOUNDNESS AND SPILLAGE.

The coals and ceramics should be taken off the fire and all unwanted debris and soot removed from the ceramic and burner. This can be done by using a vacuum cleaner. The burner ports should be thoroughly cleaned.

Badly damaged coals should be replaced. Replacement coals are available from Verine stockists.

The oxy-pilot must be changed on an annual basis as a condition of the guarantee.

Check that the pilot flame is satisfactory. If this is not the case, remove and clean the pilot injector.

Rebuild the coal lay as described in these Installation Instructions.

Make final adjustments to the coals to obtain a satisfactory visual effect.

SPARES PARTS LIST.

| DESCRIPTION | VERINE PART NUMBER |
|--|---------------------------|
| OXYGEN DEPLETION PILOT ASSEMBLY (NATURAL GAS ONLY) | P45S |
| OXYGEN DEPLETION PILOT ASSEMBLY (L.P.G. ONLY) | P46 |
| MANUAL GAS CONTROL VALVE (MANUAL VERSION ONLY) NG | P75 |
| MANUAL GAS CONTROL VALVE (MANUAL VERSION ONLY) LPG | P75(LPG) |
| CERAMIC SET – BURNER TRAY 16” | P110 |
| CERAMIC SET – BURNER TRAY 18” | P111 |
| CERAMIC SET – BURNER TRAY 22” | P112 |
| LARGE BLACK COALS | V010 |
| MEDIUM RANDOM BLACK COALS | V016 |
| LARGE PEBBLE | V015 |
| DRIFTWOOD SET | V029 |
| BLACK MAGIC COAL/CERAMIC RESTORER (CAN) | P 56 |

Installation & Service Record

Please ensure that installer completes the installation record below

INSTALLATION RECORD

Appliance Supplied by:

Installation Date:Serial No.:

Installed By:CORGI No.:

Signed by Installer:

| | |
|--|---|
| <p>RECORD OF 1st SERVICE</p> <p>Serviced by: CORGI No.:.....</p> <p>Service Date: Signed:</p> <p>Comments:</p> <p>.....</p> <p>.....</p> | <p>RECORD OF 2nd SERVICE</p> <p>Serviced by: CORGI No.:.....</p> <p>Service Date: Signed:</p> <p>Comments:</p> <p>.....</p> <p>.....</p> |
| <p>RECORD OF 3rd SERVICE</p> <p>Serviced by: CORGI No.:.....</p> <p>Service Date: Signed:</p> <p>Comments:</p> <p>.....</p> <p>.....</p> | <p>RECORD OF 4th SERVICE</p> <p>Serviced by: CORGI No.:.....</p> <p>Service Date: Signed:</p> <p>Comments:</p> <p>.....</p> <p>.....</p> |
| <p>RECORD OF 5th SERVICE</p> <p>Serviced by: CORGI No.:.....</p> <p>Service Date: Signed:</p> <p>Comments:</p> <p>.....</p> <p>.....</p> | <p>RECORD OF 6th SERVICE</p> <p>Serviced by: CORGI No.:.....</p> <p>Service Date: Signed:</p> <p>Comments:</p> <p>.....</p> <p>.....</p> |
| <p>RECORD OF 7th SERVICE</p> <p>Serviced by: CORGI No.:.....</p> <p>Service Date: Signed:</p> <p>Comments:</p> <p>.....</p> <p>.....</p> | <p>RECORD OF 8th SERVICE</p> <p>Serviced by: CORGI No.:.....</p> <p>Service Date: Signed:</p> <p>Comments:</p> <p>.....</p> <p>.....</p> |
| <p>RECORD OF 9th SERVICE</p> <p>Serviced by: CORGI No.:.....</p> <p>Service Date: Signed:</p> <p>Comments:</p> <p>.....</p> <p>.....</p> | <p>RECORD OF 10th SERVICE</p> <p>Serviced by: CORGI No.:.....</p> <p>Service Date: Signed:</p> <p>Comments:</p> <p>.....</p> <p>.....</p> |

B-119970
Issue 1

BFM Europe Limited
Trentham Lakes
Stoke on Trent, Staffordshire ST4 4TJ
Tel: (01782) 339000 Fax: (01782) 339009
Email: info@bfm-europe.com
www.bfm-europe.com