

**Wonderfire**

## **PRESIDENT**

LIVING FUEL-EFFECT FIRE  
LIVE FUEL-EFFECT APPLIANCES  
**FOR USE WITH NATURAL GAS ONLY**

MODELS  
Coal effect  
Classic Black Painted finish  
Model 9500201

## **PRESIDENT**

LIVING FUEL-EFFECT FIRE  
LIVE FUEL-EFFECT APPLIANCES  
**FOR USE WITH PROPANE GAS ONLY**

MODELS  
Coal effect  
Classic Black Painted finish  
Model 9500202

**GB**

**IE**

## **USERS AND MAINTENANCE INSTRUCTIONS (PLEASE LEAVE WITH THE USER)**

These instructions have been written to ensure the proper installation of this fire.  
**Please read them carefully before attempting to install the fire.**

## SERVICING & MAINTENANCE

All gas fires should be serviced annually by a CORGI registered installer (*ie* British Gas) for the safety of all users. It is the Law that this work is carried out by a competent person.

The space behind the appliance should be kept clear of any debris from the chimney to ensure the flue remains unblocked at all times. The appliance and chimney or flue should be inspected annually.

Any airbrick or ventilation grille installed into the room should be kept clear at all times.

In any correspondence with the original supplier please quote the model, and serial number, which can be found on the data plate located on the left of the Heat Engine accessed via the front door.

## SHORT SPARES LIST

Never fit non standard parts as this might constitute a hazard. Use only the correct manufacturers spares. Use only the correct number of firebed components, and install them as described in the instructions

Description	W/Fire Part Numbers
Coal Matrix	9770004
Front Coals (Pair)	9780027
Dress Coals (Set of 14)	9780036
Glass Frame Assembly	9550057

A random effect may be made as it is not necessary that the shapes are all positioned in the same manner

Take care not to allow any part of the five dress coals to fall between the rear of the front coals and the vertical surface of the front of the burner. The correct position is shown Figure 8 below.

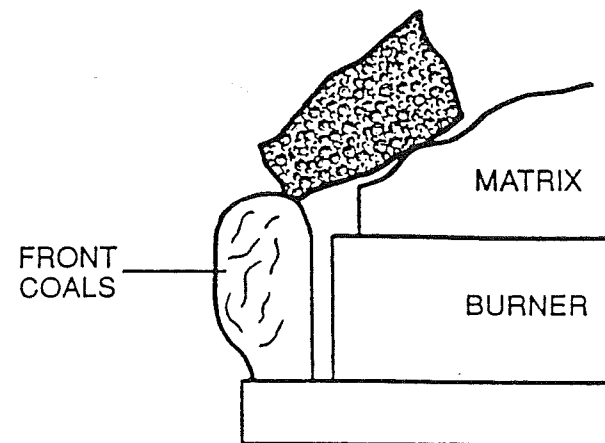


Figure 8 - Bridging the dress coals from matrix to front coals

Place the remaining nine coals in a random fashion in two rows of 5 and 4 coals respectively.

Ensure a roughly equal space between each coal for the best effect

#### Replacing the glass

Take the glass frame assembly and offer up centrally to the fabricated steel firebox. Insert the lower corners of the frame assembly into the U channel locators on the firebox. Line up the upper location points and with the thumb screws provided tighten the upper section of the glass assembly onto the firebox.

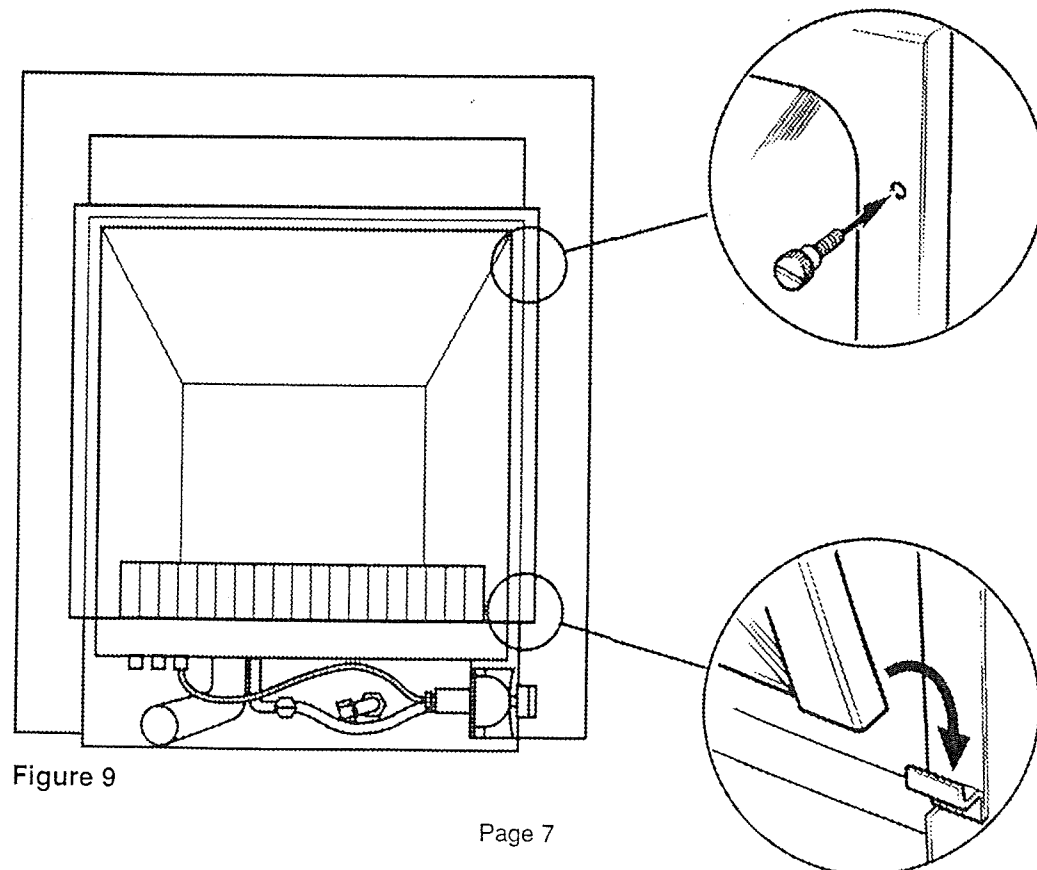


Figure 9

## INTRODUCTION

The President is fitted with an A.S.D (Atmosphere sensing device) if the appliance closes down after a period for no apparent reason, the consumer should be informed to stop using the appliance, until the installation has been thoroughly checked. Under no circumstances should the A.S.D be altered or bypassed in anyway. Only a genuine Wonderfire supplied replacement should be fitted, the individual A.S.D components are not replaceable.

The President is a Live Fuel-Effect fire. It uses moulded ceramic fibre shapes to simulate a coal effect. The burner is a patented vacuum-formed ceramic component which, when a gas and air mixture is injected, heats the coals, and creates a uniquely realistic glowing heart to the fuel-bed.

Installation of this appliance must be undertaken by a competent person, and in accordance with the Installation Manual.

### IMPORTANT NOTES

It is IMPORTANT that the coals are placed in accordance with these instructions, to ensure the best performance and visual effect. Under no circumstances should additional coals be added to those supplied.

Never attempt to use the appliance with other gas types.

The appliance door is considered a working surface and can therefore become very hot during operation.

Never use the appliance if the glass panel has been removed or broken.

Always use a fireguard complying with BS6539 or BS6778 when operating the fire in the presence of children, the elderly or the infirm. Suitable fireguards are obtainable from fireplace stockists and multiple retailers such as Mothercare.

The hearth should be of non-combustible material.

The fire is lit by a piezo electronic spark generator. Batteries or an electrical supply are not required. Please see the Lighting Instructions.

An odour may be noticeable when the new fire is first used. This event will be quite normal and there should be no cause for alarm

Never throw paper, ash, or other materials on to your fire.

The fire should be inspected annually by a competent person.

The chimney should have been swept in accordance with the Servicing Instructions immediately prior to installation.

Debris from the chimney or other sources, together with any soot formed, should from time to time be removed by a competent person.

Any purpose-made ventilation should be checked periodically to ensure it is free from obstruction.

Please be aware that certain soft wallcoverings, such as blown vinyl, may stain when exposed to heat.

Use only genuine manufacturers spare parts.

Do not cover the the hearth with rugs or other combustible materials.

Curtains should not be positioned above the appliance.

Do not obstruct convection air inlets or outlets.

Clothes should not be dried or aired over the fire or convection air outlets.

To prevent scorching, furniture should not be placed within two metres of the fire.

The distances to combustible shelves contained in the installation instructions must be observed.

The fire must not be fitted against a combustible wall.

Always switch the fire off and allow to cool before handling or cleaning. Note it is a characteristic of the design of this appliance that it retains heat for some time.

## OPERATION OF THE FIRE

Please observe the Important Notes on page 1, before attempting to use this appliance.

Please read these instructions thoroughly before using the fire for the first time.

For your safety this appliance is manufactured with a Flame Sensing Device which will close off the gas supply - until reset - in the event of any failure of the gas supply or flame.

Please keep these instructions in a safe place.

### The Gas Control

This fire is controlled by a four-position gas control mounted in a very accessible position on top of the appliance - on the right-hand side of the top plate, behind a flush-fitting access panel. In addition to the OFF position, there is a PILOT LIGHT position, and two HEAT CONTROL positions (Figure 1, below)

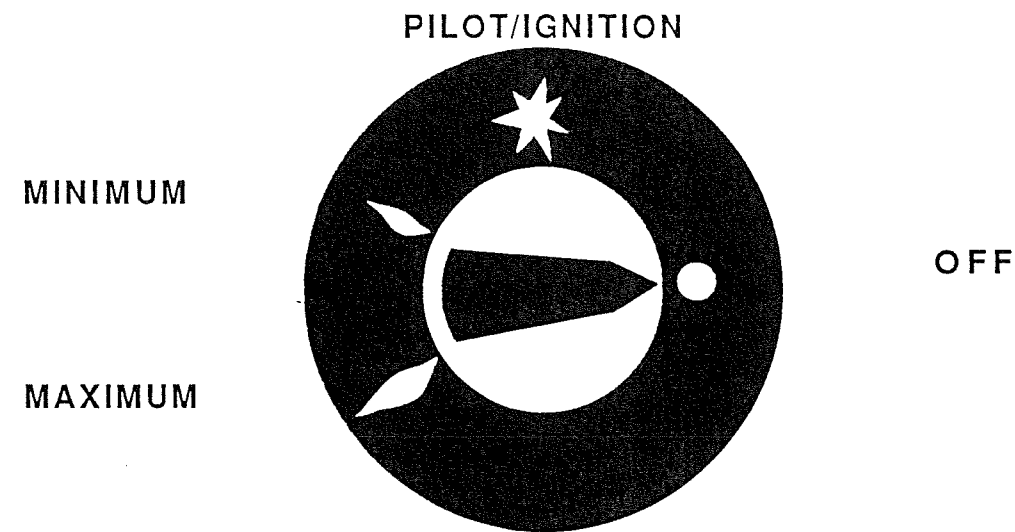


Figure 1 - The Ignition and Heat Control positions

Ignition of the fire is by an integral piezo generator which, upon operation, ignites the pilot flame. The main burner is lit from this pilot.

As a safety feature this fire is equipped with a flame-sensing device which will shut off the gas supply in the event that the fire is extinguished.

### Lighting the Pilot

Ensure that the gas supply is on. Turn the gas control knob to the OFF position. Depress the control knob and slowly turn anticlockwise until the PILOT position is reached. This action will allow gas to flow to the pilot, and also simultaneously operates the piezo spark generator which will ignite the pilot flame. Keep the knob depressed.

Observe the pilot flame is alight by viewing the lower edge of the fuel-bed on the left-hand side of the fire, through the Pilot Viewing area of the porcelain front coals. (Figure 2 overleaf). If the pilot flame does not light first time, repeat the lighting procedure until successful.

Once the pilot flame has become established, keep the control knob depressed for at least 10 seconds to allow the flame-sensing device to establish. When the control knob is released the pilot flame should remain established. If the pilot flame fails to establish, repeat the lighting procedure, this time keeping the knob depressed for longer.

Note:  
Any surface crazing of the ceramic surfaces of the burner, matrix, and fuel components is normal and no cause for concern.  
  
If debris from the chimney is noticed or there appears to be an excessive build-up of deposits, it should be removed by a competent person.

The burner surface will now be visible, and may be carefully cleaned along with the firebox and three flue outlets with a vacuum-cleaner FITTED WITH A SOFT BRUSH ATTACHMENT. Take care not to damage any of the ceramic surfaces by the cleaning action, as the performance of the fire may be affected.

To re-assemble the fuel-bed, follow these simple steps

### The fuel-bed

This fire uses hard ceramic moulded two-piece front coals (Figure 6) which should be handled with care. The left-hand piece can be identified by the area removed to make the pilot light visible. Each moulded piece should be placed in position in turn, with the 'coal' shapes facing out, locating into the rectangular slots in the front edge of the burner as shown in Figure 6 above.

Gently push downwards until the coal pieces are located securely, and the slotted area at their base touches the burner surface.

Place the moulded coal matrix (Figure 6) on the upper burner surface and locate it against the rear of the firebox in a central location.

Take five of the dress coals previously removed, placing them so that the more realistic surfaces may be seen from the front of the fire, and ensuring they bridge the space between the moulded front coal pieces (figure 7 below) and the moulded coal matrix.

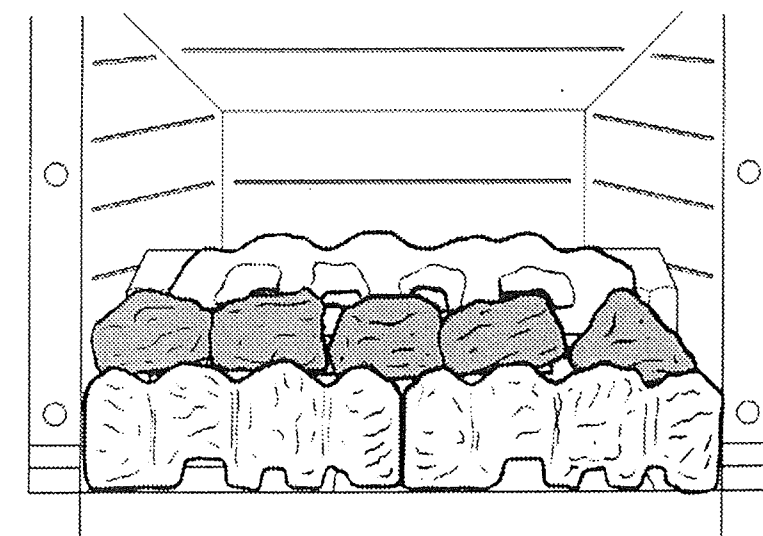


Figure 7 - Placing the first five dress coals

## Cleaning the fuel-bed

**PLEASE HANDLE ALL CERAMIC  
FUEL-BED PARTS TENDERLY**

The President uses a fuel-bed assembly which has been proven in more than 200,000 applications throughout the world. All the ceramic parts are safe to handle, and are designed to be easily replaced by the consumer.

The 14 individual dress coals (Figure 5) should be removed, noting their positions to facilitate replacement, and then placed on a piece of newspaper. Any sooting can be carefully removed from the surface of the coals using a soft dry brush, such as a paint brush. **DO NOT WASH THE COALS.**

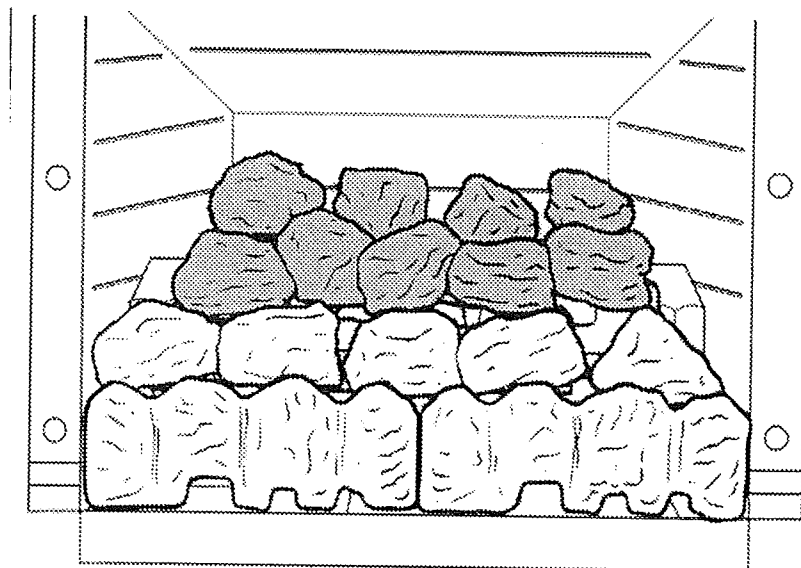


Figure 5 - Remove the 14 dress coals

The two parts of the hard ceramic front coals and the moulded ceramic coal matrix (Figure 6) should now be removed from the burner surface, noting their positions and location for simple replacement.

The burner surface, the three flue outlet ports, and the firebox surfaces may be CAREFULLY cleaned by the use of a vacuum-cleaner USING A SOFT BRUSH ATTACHMENT.

Remove only loose particles, and ensure that the burner surface, burner ports, and moulded shapes are not in any way damaged by the cleaning action

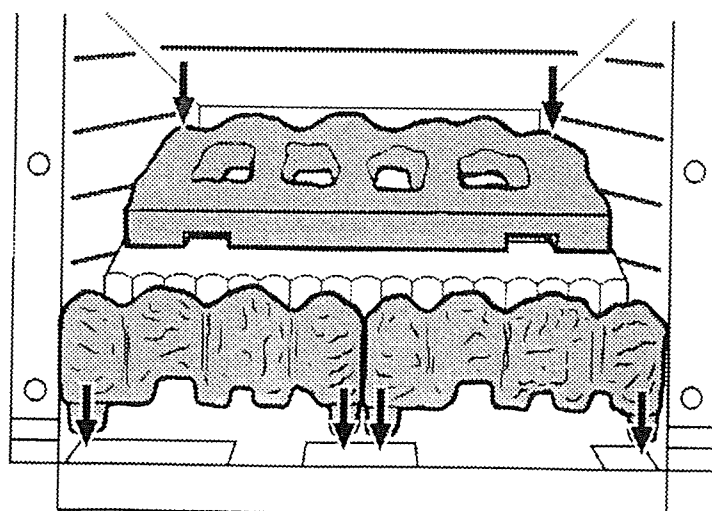


Figure 6 - Remove the front coals

## Lighting the main burner

Once the pilot light has been established, the main burner can be lit by depressing and turning the control knob anticlockwise to the MAXIMUM position.

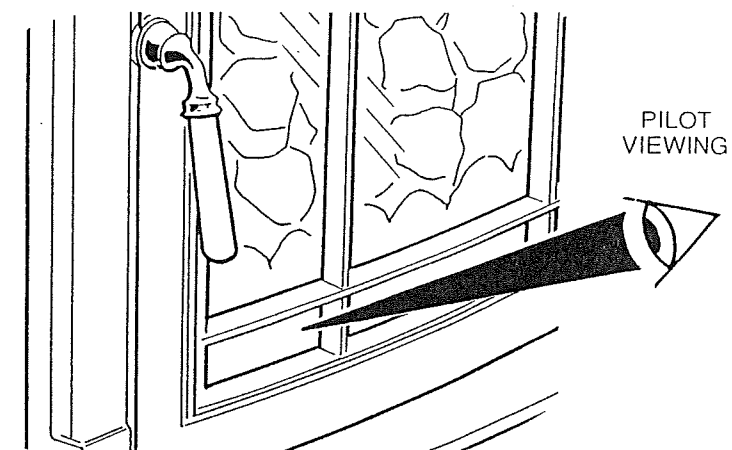


Figure 2 - Viewing the pilot light

## Controlling the heat setting

In order to change between one setting and another, depress the control knob and turn the knob anticlockwise to the required position. Alternatively, if a setting between MAXIMUM and MINIMUM is required, the control may be set in this position.

## To turn the fire back to PILOT position

Depress the control knob and turn clockwise until the PILOT position has been reached. In this position, the fire can be relit without undertaking the initial piezo ignition sequence and the burner will always light from this setting. It may be found that this setting is the most convenient for regular use.

## To turn the fire OFF

Depress the control knob and turn clockwise until the OFF position has been reached. Observe that the pilot is now extinguished.

### PLEASE NOTE

IF THE FIRE HAS BEEN EXTINGUISHED  
FROM HOT, PLEASE WAIT AT LEAST  
THREE MINUTES BEFORE RELIGHTING.

## Lighting the fire with a taper

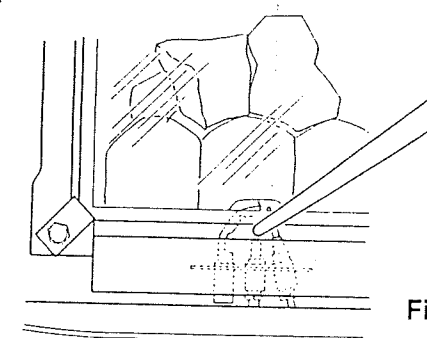


Figure 3 - Lighting the fire with a taper

In the event of failure of the piezo spark generator, the pilot flame can be lit by a taper or long spill. Open the appliance door, insert the taper through the Pilot Viewing area of the front coals, and below the glass panel, to reach the pilot light assembly (Figure 3). Follow the lighting instructions above until the pilot flame can be established.

Please note that the fuel-bed may take up to 15 minutes to provide a realistic glow, and that the flames will be predominately of a blue non-luminous nature until the fire has completely heated up to its usual operating temperature. This is normal.

## CLEANING

ENSURE THAT THE FIRE HAS BEEN ALLOWED TO COOL COMPLETELY BEFORE ATTEMPTING TO CLEAN ANY SURFACE.

### Painted cast iron surfaces (Classic Black models)

These should be dusted regularly with a feather duster, or a soft brush attachment on a vacuum cleaner. *do not use linted cloth such as dusters.*

### Porcelain Enamelled surfaces (Enamelled models only)

The high quality porcelain enamel finish is designed to be convenient and easy to maintain as well as beautiful to look at.

Use only a soft dry cloth or soft brush as necessary. Do not use water or other liquid on these surfaces.

Stubborn marks may be removed by the use of a soft cloth and a non-abrasive window cleaning liquid or kitchen appliance cream specially formulated for enameled surfaces (NOT oven cleaner) such as Hob Brite.

Apply this cleaner sparingly, dry, and buff away all traces with a new duster before relighting the fire.

On no account should any abrasive or harsh chemical cleaner be used on these surfaces as this could result in damage to the finish.

### Glass

In normal use, only the outside of the glass should require regular cleaning. The glass is a high-temperature ceramic material and should only be cleaned using the following method.

Ensure the appliance is completely cool. Open the appliance door.

Wash the glass using clean warm water and a soft paper towel.

Rinse and dry thoroughly with a soft paper towel, and then polish using only a new duster.

Any stubborn deposits can be removed using a soft dry cloth and a proprietary non-abrasive ceramic hob cleaner, such as Hob Brite.

### Door handle

The door handle material is a gold plated casting. It should need no cleaning other than the occasional use of a clean duster. The ash handle should require no cleaning. It's appearance can be maintained using black shoe polish.

## CLEANING INSIDE - GLASS SURFACES, FUEL BED, AND FIREBOX

This appliance may only require occasional attention between annual service intervals. However, in certain conditions, the glass, firebox, or fuel-bed may require cleaning from time to time. This is normal. Note that discolouration of the firebox and ceramic fuel caused by the effects of heat and flame is also perfectly normal. Any discolouration in the firebox can be remedied by respraying with a high temperature paint during the fires annual service.

## NOTE

Before undertaking the following procedures, ensure that the fire has been turned off, and has been allowed to cool completely.

### Cleaning the glass panel

Open the appliance door. Access is now available to the fire-viewing area of the Heat Engine assembly. It is now possible to remove the ceramic glass panel from the Heat Engine to gain access for cleaning.

Remove the top glass-retaining screws (Figure 4) and hold the glass at the top so that it is allowed to fall away slightly from the upper firebox and may then be lifted up and out of the lower retaining lugs.

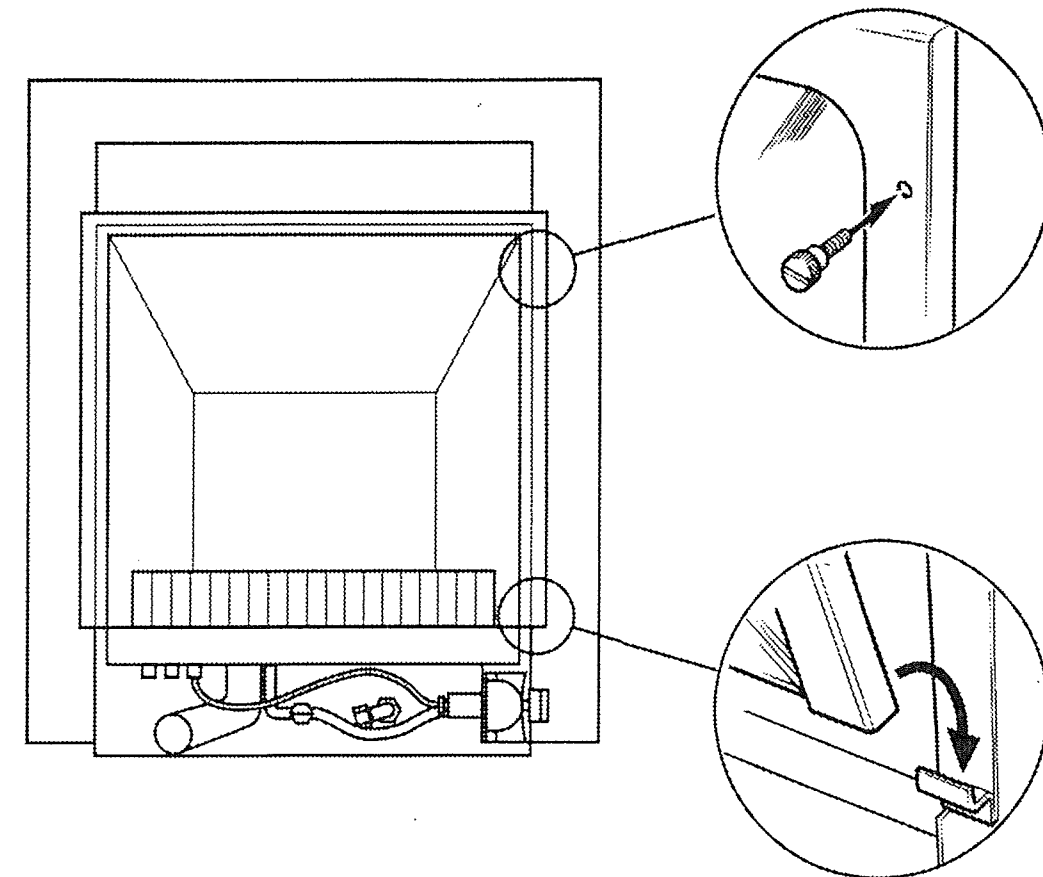


Figure 4 - To remove the glass, rotate the top retaining clips.

Place the glass upright in a safe position. The glass is a special high temperature ceramic material and should only be cleaned using the following method, and only when the appliance is completely cool.

- 1 Wipe the glass using warm water and a soft paper towel.
- 2 Rinse, and dry thoroughly with a soft cloth.
- 3 For stubborn deposits use only a proprietary *non-abrasive* ceramic cooking hob cleaner.