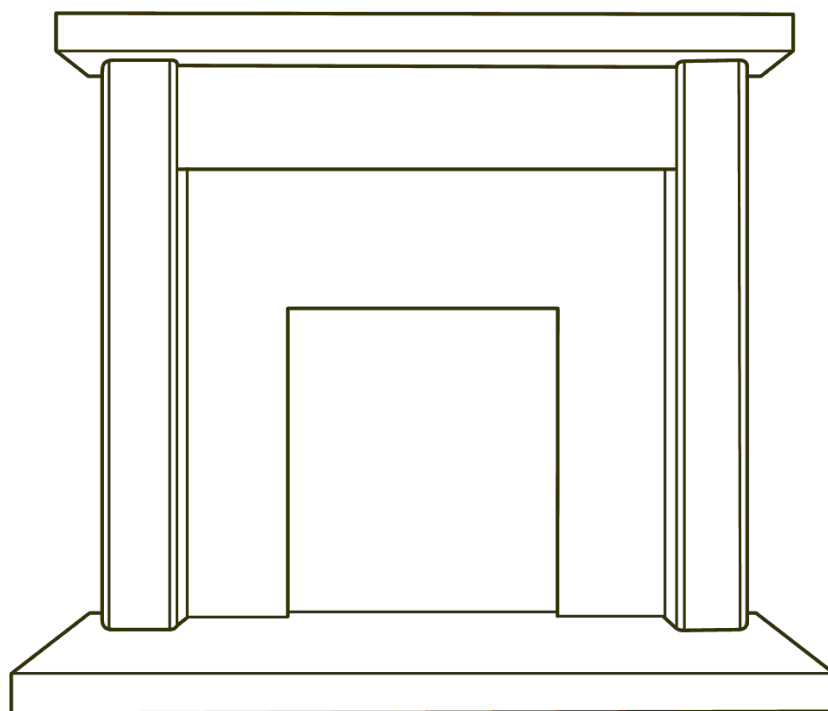


B A X I F I R E S D I V I S I O N

INSTALLATION GUIDE

Waxed Pine

Surround and Hearth Set



This guide should be read in conjunction with the installer and owner guides supplied with the heater/fire.

This guide is intended to help you install your Waxed Pine Surround and Hearth set. Please read carefully before installing. However, if further information is required, our

Baxi Fires Division Technical Helpline will be pleased to help.

Telephone **08706 061 065** (National call rates apply in the United Kingdom)

In the Republic of Ireland call **0044 8706 061 065**.

Important: Please keep your guide in a safe place for future reference

INSTALLATION GUIDE

© Baxi Heating U.K. Limited 2005.

All rights reserved. No part of this publication may be reproduced in any material form (including photocopying), stored in any medium by electronic means (including in any retrieval system or database) or transmitted, in any form or by any means, whether electronic, mechanical, recording or otherwise, without the prior written permission of the copyright owner.

Applications for the copyright owner's permission to reproduce any part of this publication should be made, giving details of the proposed use, to the following address:
The Company Secretary, Baxi Heating UK Limited, Pentagon House, Sir Frank Whittle Road, Derby, DE21 4XA.

Warning: Any person who does any unauthorised act in relation to a copyright work may be liable to criminal prosecution and civil claims for damages.

If you require further assistance, the **Baxi Fires Division Technical Helpline** will be pleased to help.

Please telephone **08706 061 065** (local rates apply in the United Kingdom). In the Republic of Ireland please telephone **0044 8706 061 065**.

Baxi Fires Division, Erdington, Birmingham B24 9QP.

B A X I F I R E S D I V I S I O N

www.firesandstoves.co.uk

Because our policy is one of constant development and improvement, details may vary slightly from those given in this publication

INSTALLATION GUIDE

SAFETY

- When drilling into brick work always wear safety goggles, a dust mask, and always work in a well ventilated area.
- Keep children clear of work area especially when assembling or moving the surround / mantle assembly.
- Always read the installer and owner guide supplied with the heater. This guide should be read in conjunction with those supplied with the heater.
- Always tidy loose electrical leads in the work area.
- Always switch off electric power when not needed.
- The surround must always be fixed into position.

HANDLING AND UNPACKING

Before continuing any further with the installation of this mantle / surround and hearth please read the following:

Important instructions.

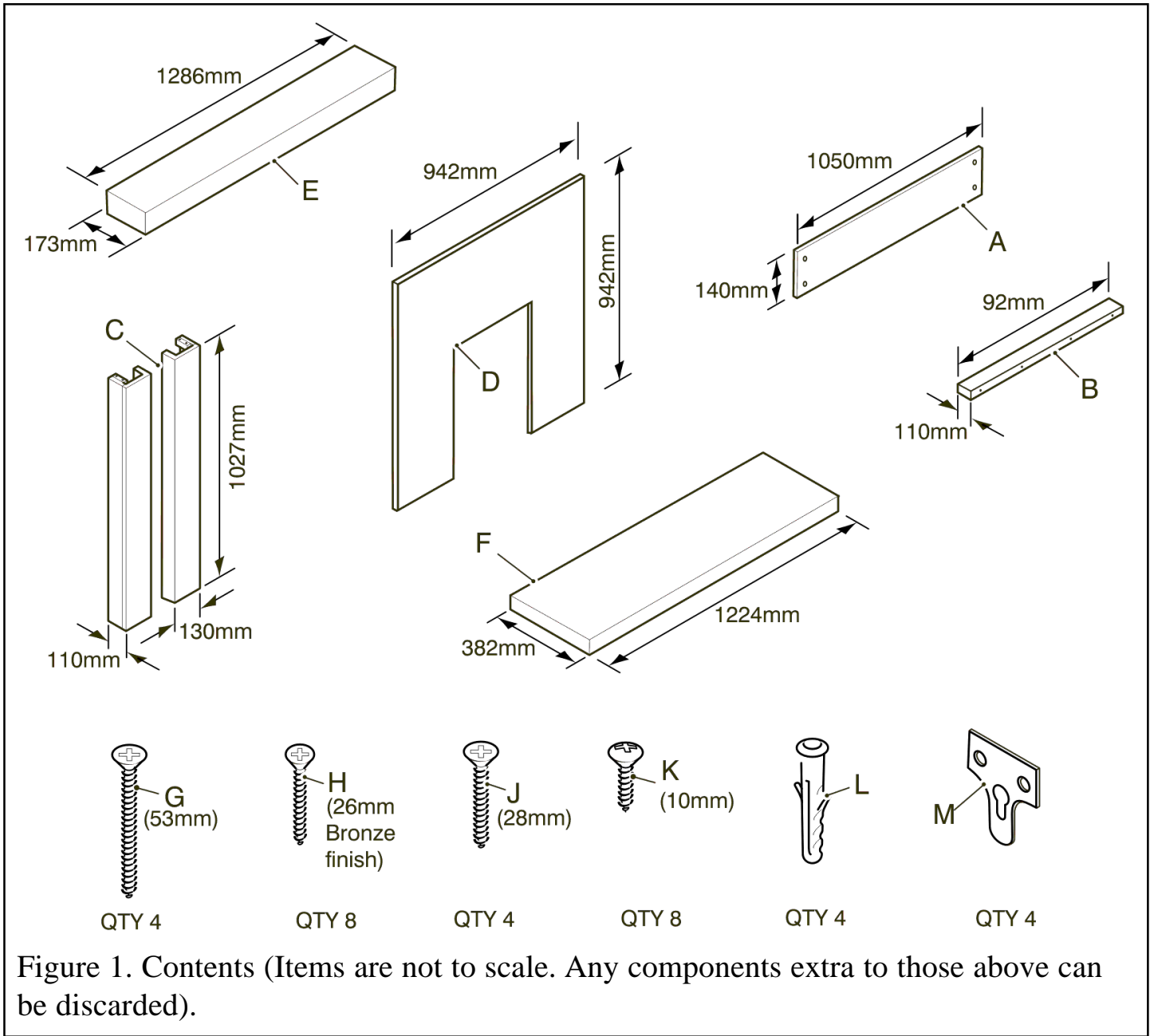
- The approximate lifting weights of the mantle / surround and hearth are as below:

Surround	14.5 kg.
Rear panel	9.5 kg.
Hearth	11.5 kg.

- One person should be sufficient to lift the hearth or mantle/ surround. If for any reason this weight is considered too heavy then obtain assistance.
- When lifting always keep your back straight. Bend your legs and not your back.
- Avoid twisting at the waist. It is better to reposition your feet.
- Avoid upper body / top heavy bending. Always bend from the knees rather than the waist. Do not lean forward or sideways whilst handling.
- Always grip with the palm of the hand. Do not use the tips of fingers for support.
- Always keep the Surround or Hearth as close to the body as possible. This will minimise the cantilever action.
- Use gloves to provide additional grip.
- Always use assistance if required.

INSTALLATION GUIDE

CONTENTS



INSTALLATION GUIDE

ASSEMBLING THE SURROUND AND HEARTH

The installation of this Surround / Mantle and Hearth requires a reasonable level of DIY skills.

Please read this guide thoroughly before commencing installation and if in doubt, seek help from a competent person

Do I need any tools?

You will need the following tools :

- A Pozidrive / Phillips / cross head screwdriver. This should have a number 2 size tip.
- If drilling into brick work you will need a power drill (preferably with hammer action) and appropriate size drill bit for the wall plugs supplied.

How to assemble the Surround / Mantle and Hearth.

Step 1

- Lay the legs (C) onto a smooth, flat, clean surface with the inside facing upward as shown in figure 2. Place fascia (A) as in figure 2 ensuring that the top of the fascia is level with the top of the legs. The sides of the fascia should touch the side supports on the inside of the legs. The plastic blocks should be at the top of the surround.
- Secure using four (J) screws.

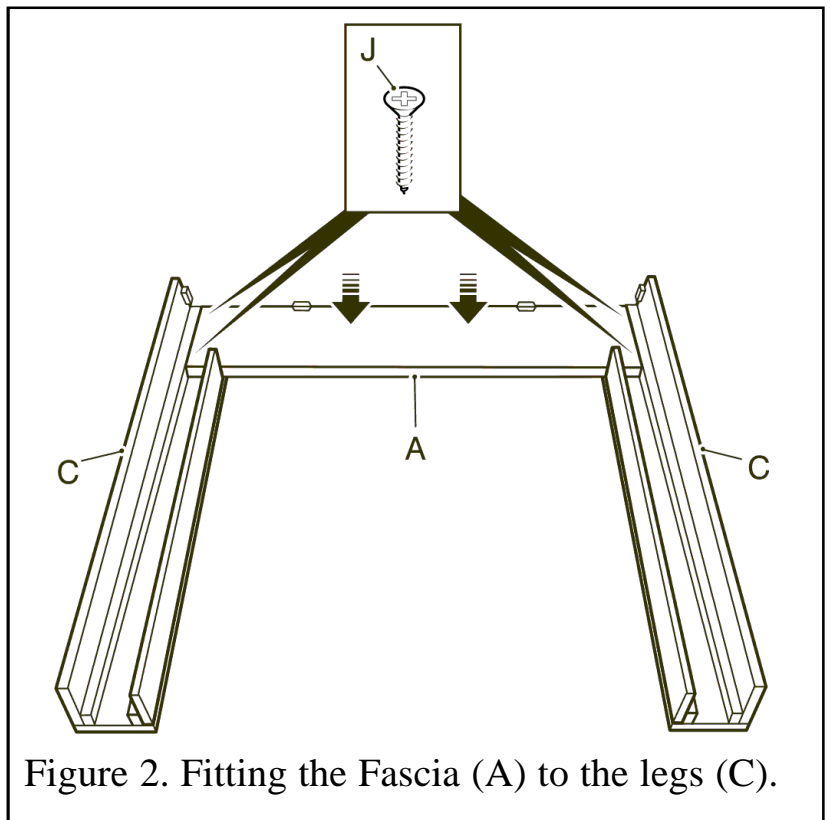


Figure 2. Fitting the Fascia (A) to the legs (C).

INSTALLATION GUIDE

Step 2

- Locate the inner rail (B) on top of the inner legs as in figure 3.
- Secure to the fascia (A) using four (G) screws.

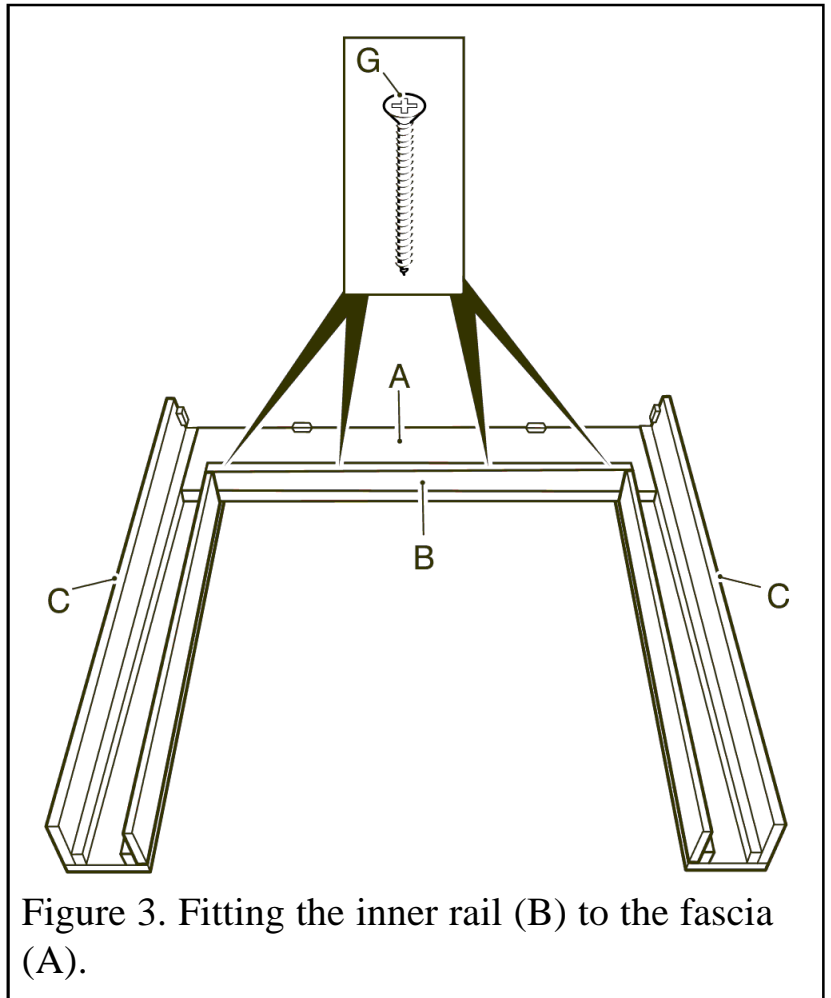


Figure 3. Fitting the inner rail (B) to the fascia (A).

Step 3

- Carefully lift and stand the surround. We recommend that the surround is supported.
- Locate the surround top (E) on top of the surround as in figure 4. The top should be central. Ensure that the rear of the top is level with the rear of the surround.
- Secure in place using four (H) screws through the plastic blocks.

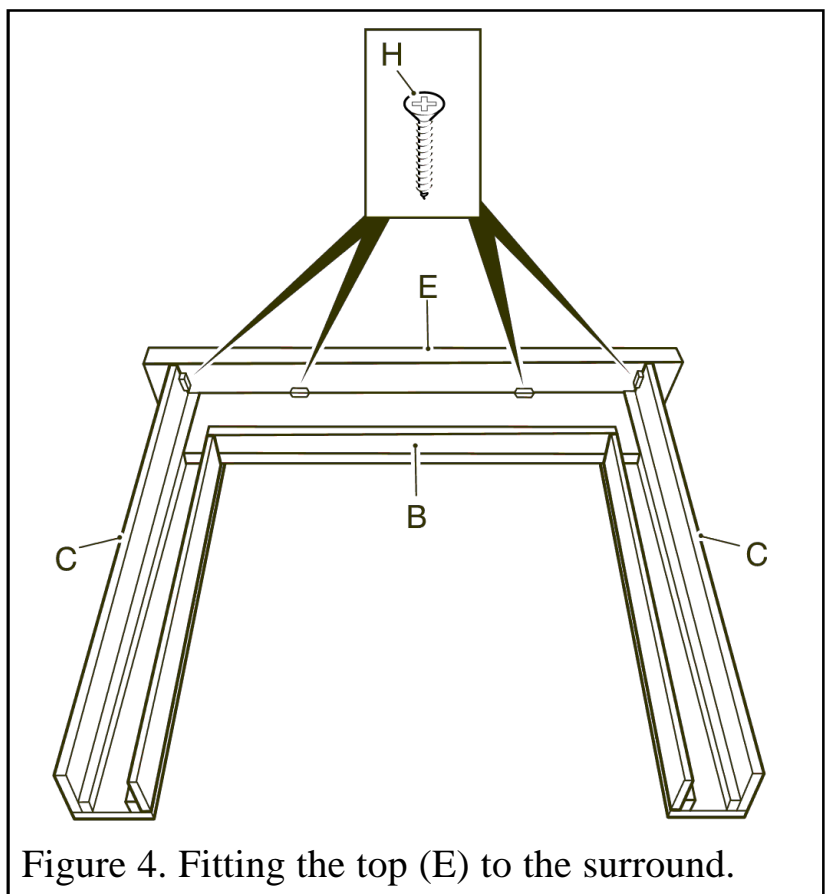


Figure 4. Fitting the top (E) to the surround.

INSTALLATION GUIDE

Step 3

- Place wall fixing brackets (M) 50mm from the top outside edge and bottom of the legs as shown in figure 5. Ensure that the two fixing holes in the brackets are positioned in the centre of the outside edge of the leg. The wood may split if the fixing holes are not central. Secure in place using eight screws (K).

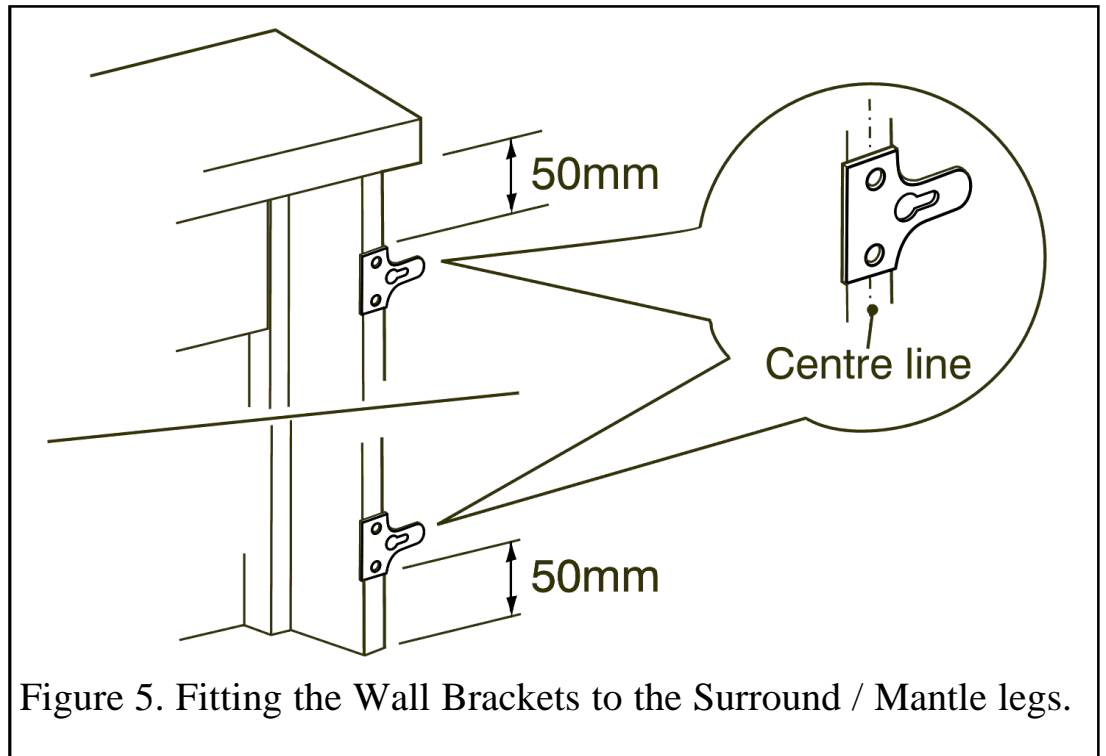


Figure 5. Fitting the Wall Brackets to the Surround / Mantle legs.

- Position the Hearth in place. Carefully move the Surround assembly into place. Ensure that the Surround is central to the Hearth. Mark the positions of the bracket holes on the wall. Move the assembly aside and drill suitable sized holes. Insert the wall plugs (L).
- Adhere the back panel (D) to the wall using a suitable mastic, ensuring that it is central to the hearth. Position the surround assembly into position and secure using four screws (H).

Note: The wall plugs are only suitable for brick or block walls. For timber framed walls covered in plaster board we recommend the use of heavy duty cavity fixings.

For gas fire installations follow the surround installation guidance given in the CORGI domestic gas fire and space heater publication.