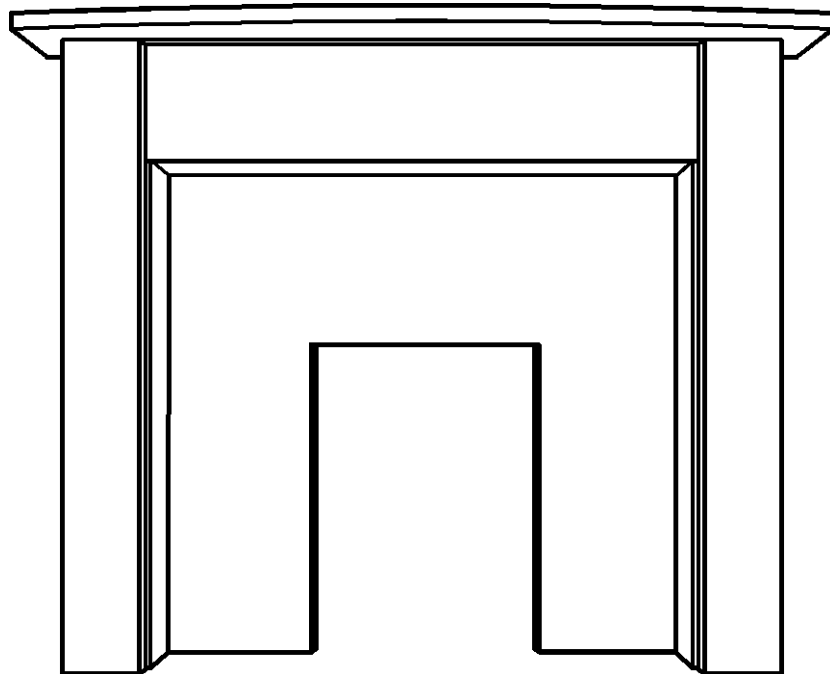


# INSTALLATION GUIDE

## Nottingham

Surround and back panel for gas fires.

The surround has no rebate between the rear of the back panel and wall.



This guide should be read in conjunction with the installer and owner guide supplied with the fire. It is intended to help you install your surround. Please read carefully before installing.

# INSTALLATION GUIDE

## SAFETY

- When drilling into brick work always wear safety goggles, a dust mask, and always work in a well ventilated area.
- Keep children clear of work area.
- Always read this guide in conjunction with the guides supplied with the fire.
- Always tidy loose electrical leads in the work area.
- Always switch off electric power when not needed.
- The surround must always be fixed into position.

## HANDLING AND UNPACKING

Before continuing any further with the installation of this surround please read the following:

### Important instructions.

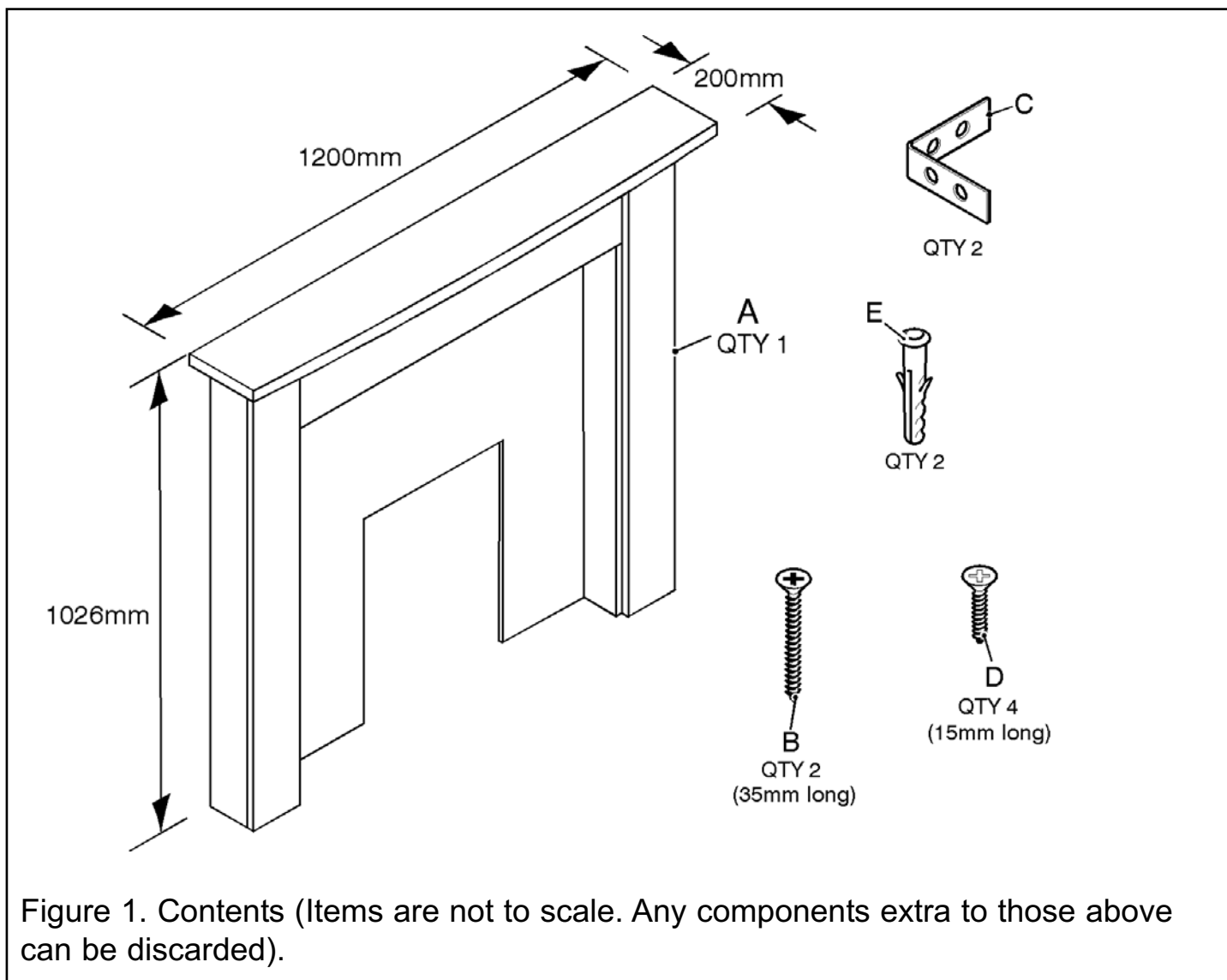
- The approximate lifting weight of the surround is as below:

Surround	20.2 kg.
Leg brace	2.58 kg.
Total	23.0 kg.

- One person should be sufficient to lift the surround. If for any reason this weight is considered too heavy then obtain assistance.
- When lifting always keep your back straight. Bend your legs and not your back.
- Avoid twisting at the waist. It is better to reposition your feet.
- Avoid upper body / top heavy bending. Always bend from the knees rather than the waist. Do not lean forward or sideways whilst handling.
- Always grip with the palm of the hand. Do not use the tips of fingers for support.
- Always keep the surround as close to the body as possible. This will minimise the cantilever action.
- Use gloves to provide additional grip.
- Always use assistance if required.

# INSTALLATION GUIDE

## CONTENTS



## FITTING THE SURROUND / MANTLE

The installation of this surround requires a reasonable level of DIY skills. Please read this guide thoroughly before commencing installation and if in doubt, seek help from a competent person.

### Do I need any tools?

You will need the following tools :

- Pozidrive / Phillips / cross head screwdrivers. This should have a number 2 size tip.
- If drilling into brick work you will need a power drill (preferably with hammer action) and appropriate size drill bit for the wall plugs supplied.

Cathedral Heating Products.  
Unit 6, Sunrise Enterprise Park, Ferryboat Lane, Sunderland, SR5 3RX  
Tel: 0191 549 9641.

# INSTALLATION GUIDE

## Unpacking the surround.

- The surround (A) is supplied fitted with a transit board that gives support during transit. This will have to be removed. Without removing the end cap packaging from the top of the surround, carefully place the surround on its top, ensuring that the surface is clean, flat, and level. Unscrew and remove the transit board.

## Securing the wall fixing brackets.

- Place the wall fixing brackets (C) 100mm from the top of the surround as shown in figure 3. Secure in place using four (D) screws.

## Securing the surround.

- Remove all packaging from the surround.
- Carefully move the surround into place. Ensure that the surround is central to the hearth / wall. Mark the positions of the bracket holes on the wall. Move the surround aside and drill suitable sized holes for the wall plugs. Insert the wall plugs (E). Place the surround into position and secure using two (B) screws.

*Note: The wall plugs are only suitable for brick or block walls. For timber framed walls covered in plaster board we recommend the use of heavy duty cavity fixings.*

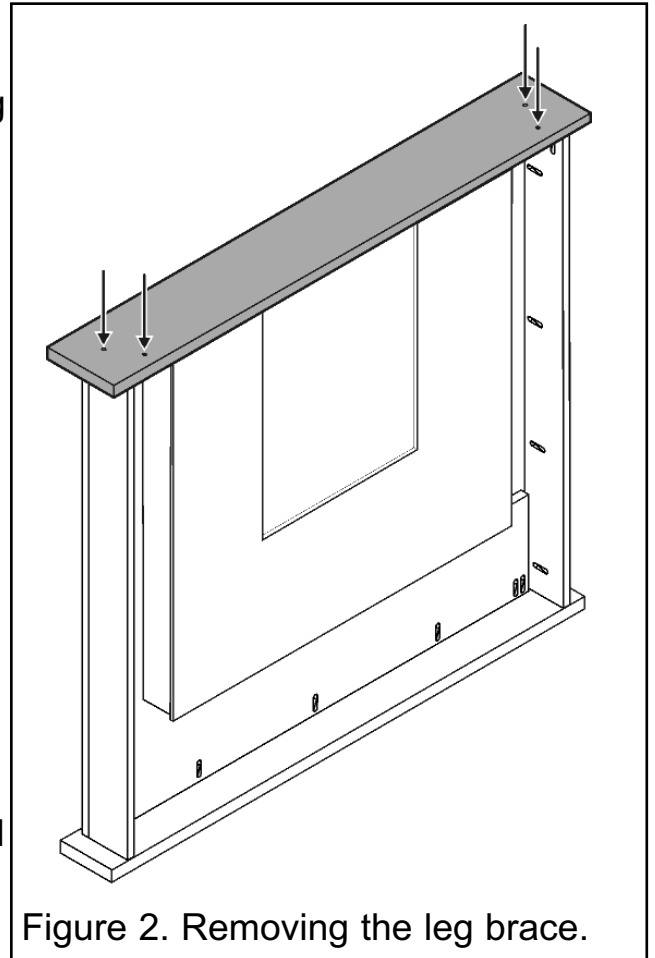


Figure 2. Removing the leg brace.

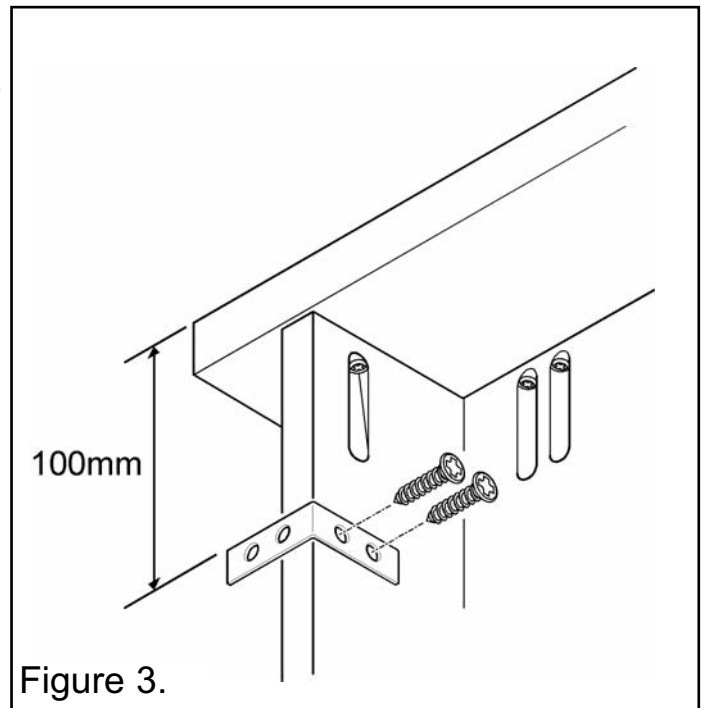


Figure 3.