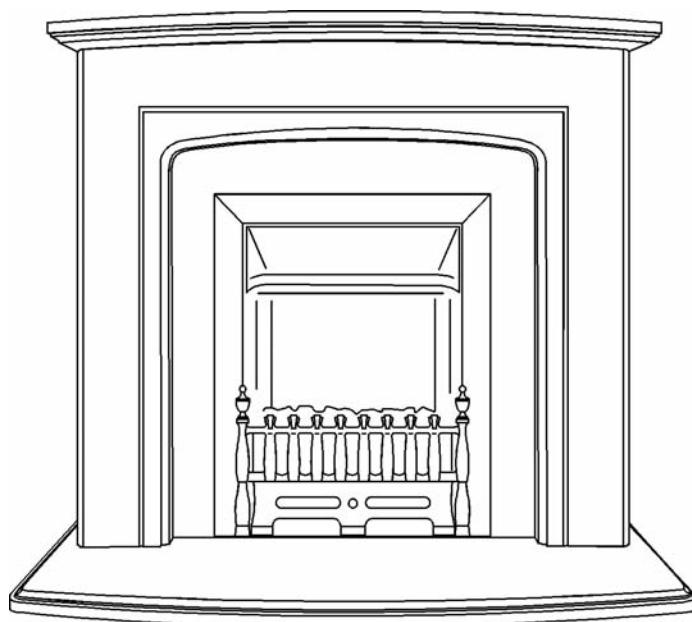


INSTALLATION GUIDE

Lydford & Lydford Dream Electric Suite.



(Heater may differ from that shown)

This surround and hearth set is intended for use with electric heaters only.
It must never be used with a gas fire.

**This guide should be read in conjunction with the installer and owner guides
supplied with the heater.**

This guide is intended to help you install your Electric Suite. Please read carefully
before installing. However, if further information is required, our
Valor Fires Technical Helpline will be pleased to help.

Telephone **0844 8711 565** (National call rates apply in the United Kingdom)
In the Republic of Ireland call **0044 844 8711 565**.

Important: Please keep your guide in a safe place for future reference.

INSTALLATION GUIDE

© Baxi Heating U.K. Limited 2009.

All rights reserved. No part of this publication may be reproduced in any material form (including photocopying), stored in any medium by electronic means (including in any retrieval system or database) or transmitted, in any form or by any means, whether electronic, mechanical, recording or otherwise, without the prior written permission of the copyright owner.

Applications for the copyright owner's permission to reproduce any part of this publication should be made, giving details of the proposed use, to the following address: The Company Secretary, Baxi Heating UK Limited, The Wyvern Business Park, Stanier Way, Derby, DE21 6BF.

Warning: Any person who does any unauthorised act in relation to a copyright work may be liable to criminal prosecution and civil claims for damages.

If you require further assistance, the **Valor Fires Technical Helpline** will be pleased to help.

Please telephone **0844 8711 565** (local rates apply in the United Kingdom). In the Republic of Ireland please telephone **0044 844 8711 565**.

VALOR FIRES

Valor Fires, Erdington, Birmingham B24 9QP.
www.firesandstoves.co.uk

Because our policy is one of constant development and improvement, details may vary slightly from those given in this publication

INSTALLATION GUIDE

SAFETY

- Always read this guide in conjunction with the guide supplied with the heater.
- Always switch off electric power when not needed.

HANDLING AND UNPACKING

Before continuing any further with the installation of this suite please read the following:

Important instructions.

- The approximate lifting weight (kg) of the suite components is as below:

Model	Mantle	Hearth	Heater	Fascia	Firefront
Lydford	16.5	6.0	5.5	1.0	1.3
Lydford Dream	16.5	6.0	5.9	8.79	3.8

- This suite is heavy. We therefore recommend that two people should be sufficient to lift it. If fitting or moving the suite alone we recommend the use of suitable lifting apparatus.
- When lifting always keep your back straight. Bend your legs and not your back.
- Avoid twisting at the waist. It is better to reposition your feet.
- Avoid upper body / top heavy bending. Always bend from the knees rather than the waist. Do not lean forward or sideways whilst handling.
- Always grip with the palm of the hand. Do not use the tips of fingers for support.
- Always keep the suite as close to the body as possible. This will minimise the cantilever action.
- Use gloves to provide additional grip.
- Always use assistance if required.

UNPACKING THE SUITE

The lower fascia trim, fixing kit, coals / pebbles and installer guide for the heater are supplied at the back of the surround. Remove these before locating the surround assembly.

INSTALLATION GUIDE

CONTENTS

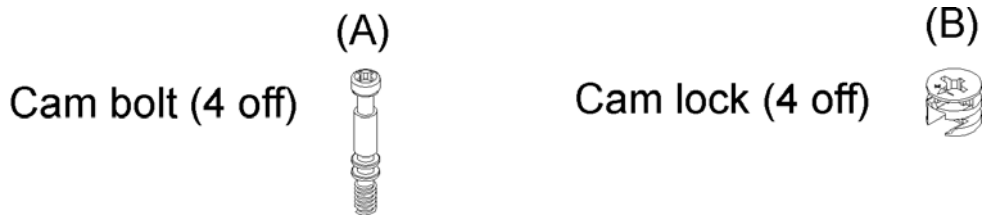


Figure 1. Contents (Items are not to scale).

ASSEMBLING THE HEARTH AND SURROUND.

The installation of this Surround / Mantle and hearth requires a reasonable level of DIY skills.

Please read this guide thoroughly before commencing installation and if in doubt, seek help from a competent person.

Do I need any tools?

You will need the following tools :

- A Pozidrive / Phillips / cross head screwdriver. This should have a number 2 size tip.

How to assemble the suite.

Step 1

The top of the hearth has four round holes which are lined with plastic. Locate and screw the cam bolts into these holes as in figure 2.

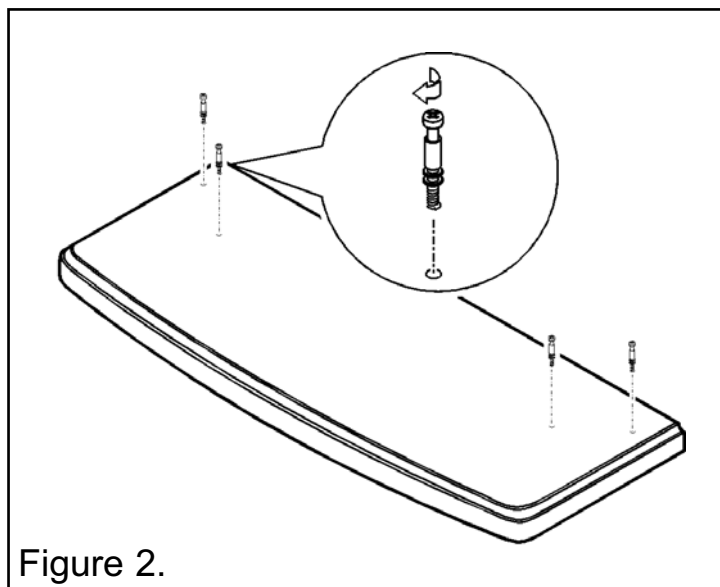
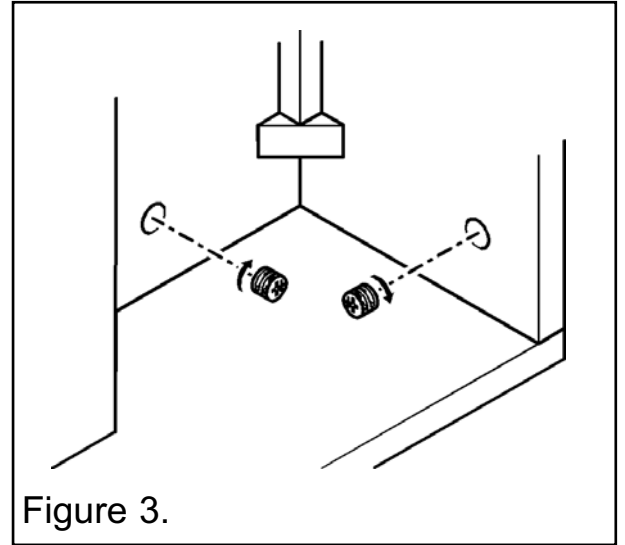


Figure 2.

INSTALLATION GUIDE

Step 2

The bottom of the mantle / surround has four holes that line up with those in the hearth. Lift and locate the surround / mantle onto the cam bolts. Insert and tighten the four cam locks as in figure 3.



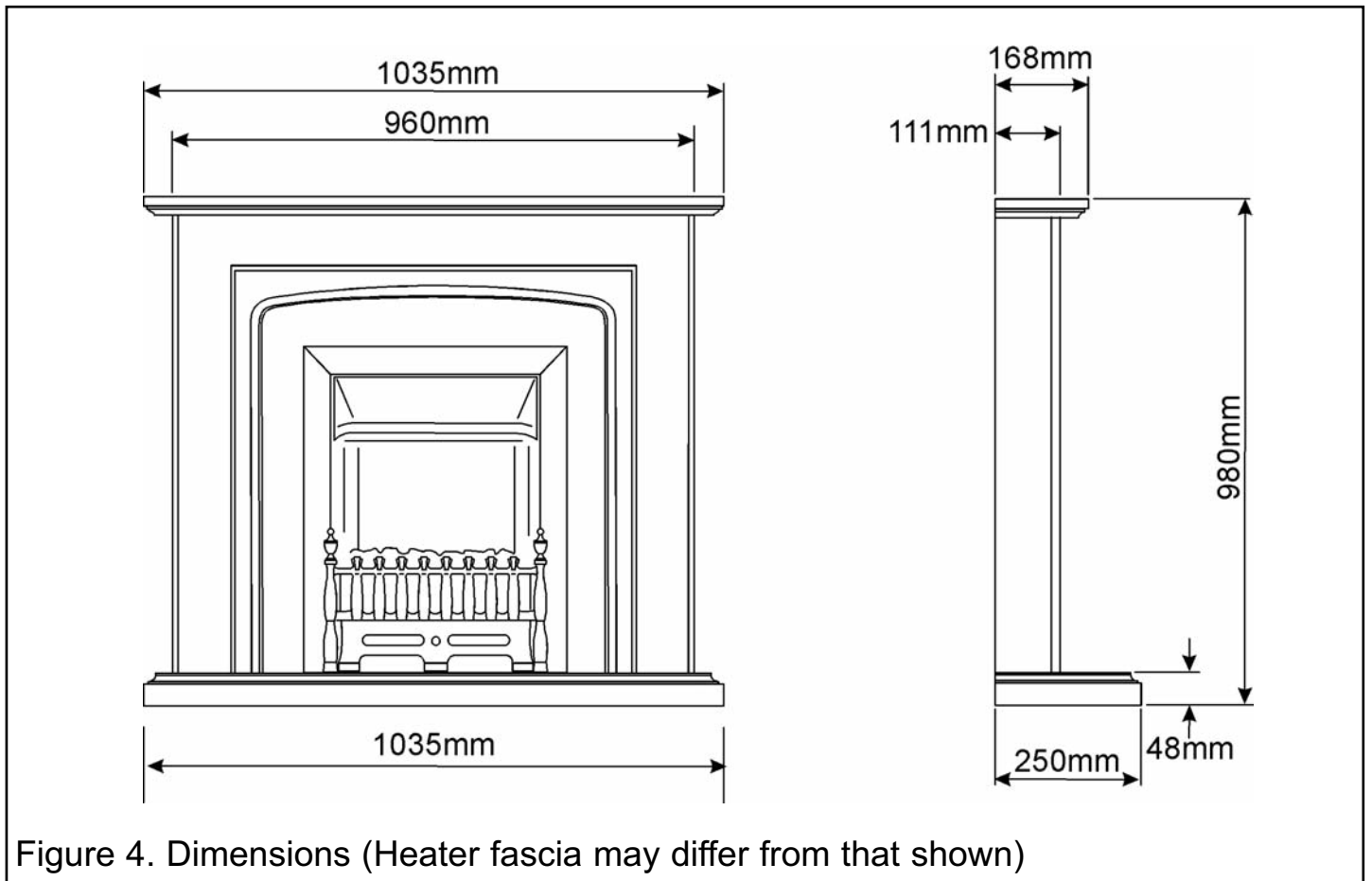
Step 3

Place the suite in the desired location.

Step 4

Place/fit the fascia/firefront as in the guide supplied with the heater.

DIMENSIONS



VALOR FIRES