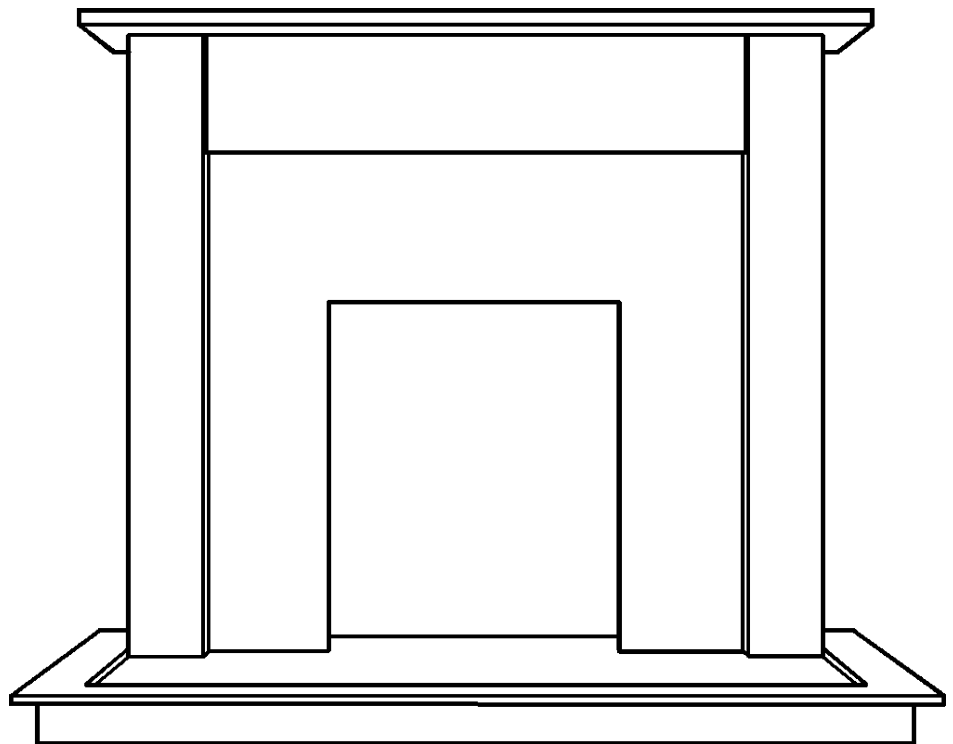


**INSTALLATION GUIDE**

# Kingswood

Surround / Mantle and Hearth set.



**This guide should be read in conjunction with the installer and owner guides supplied with the heater / fire.**

This guide is intended to help you install your surround / mantle set. Please read carefully before installing. However, if further information is required, our **Valor Fires Technical Helpline** will be pleased to help.

Telephone **0844 8711 565** (National call rates apply in the United Kingdom)  
In the Republic of Ireland call **0044 844 8711 565**.

**Important: Please keep your guide in a safe place for future reference**

# INSTALLATION GUIDE

© Baxi Heating U.K. Limited 2008.

All rights reserved. No part of this publication may be reproduced in any material form (including photocopying), stored in any medium by electronic means (including in any retrieval system or database) or transmitted, in any form or by any means, whether electronic, mechanical, recording or otherwise, without the prior written permission of the copyright owner.

Applications for the copyright owner's permission to reproduce any part of this publication should be made, giving details of the proposed use, to the following address: The Company Secretary, Baxi Heating UK Limited, The Wyvern Business Park, Stanier Way, Derby, DE21 6BF.

Warning: Any person who does any unauthorised act in relation to a copyright work may be liable to criminal prosecution and civil claims for damages.

## VALOR FIRES

Valor Fires, Erdington, Birmingham B24 9QP  
[www.firesandstoves.co.uk](http://www.firesandstoves.co.uk)

Because our policy is one of constant development and improvement, details may vary slightly from those given in this publication.

# INSTALLATION GUIDE

## SAFETY

- Always wear gloves when handling or cutting the laminate.
- When drilling into brick work always wear safety goggles, a dust mask, and always work in a well ventilated area.
- Keep children clear of work area especially when assembling or moving the surround / mantle assembly.
- Always read the installer and owner guide supplied with the heater / fire. This guide should be read in conjunction with those supplied with the heater / fire.
- Always tidy loose electrical leads in the work area.
- Always switch off electric power when not needed.
- The surround must always be fixed into position.

## HANDLING AND UNPACKING

Before continuing any further with the installation of this surround / mantle please read the following:

### Important instructions.

- The approximate lifting weight of the surround / mantle and hearth parts is as below :

Assembled surround / mantle (without rear laminate)	9.0 kg.
Gas infills	2.0 kg.
Electric infills	0.6 kg.
Assembled hearth (without board and laminate)	3.9 kg.
Hearth board	3.6 kg.
Hearth laminate	1.5 kg.
Rear laminate	2.5 kg.

- One person should be sufficient to lift the surround / mantle or hearth. If for any reason the weight of either is considered too heavy then obtain assistance.
- When lifting always keep your back straight. Bend your legs and not your back.
- Avoid twisting at the waist. It is better to reposition your feet.
- Avoid upper body / top heavy bending. Always bend from the knees rather than the waist. Do not lean forward or sideways whilst handling.
- Always grip with the palm of the hand. Do not use the tips of fingers for support.
- Always keep the surround / mantle as close to the body as possible. This will minimise the cantilever action.
- Use gloves to provide additional grip.
- Always use assistance if required.

# INSTALLATION GUIDE

## CONTENTS

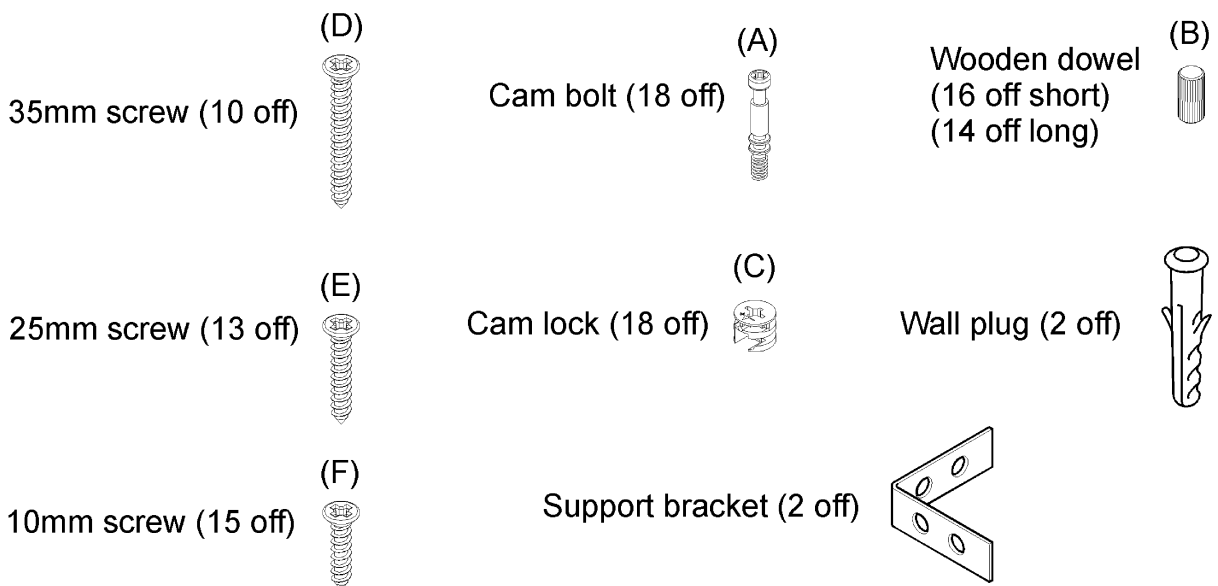
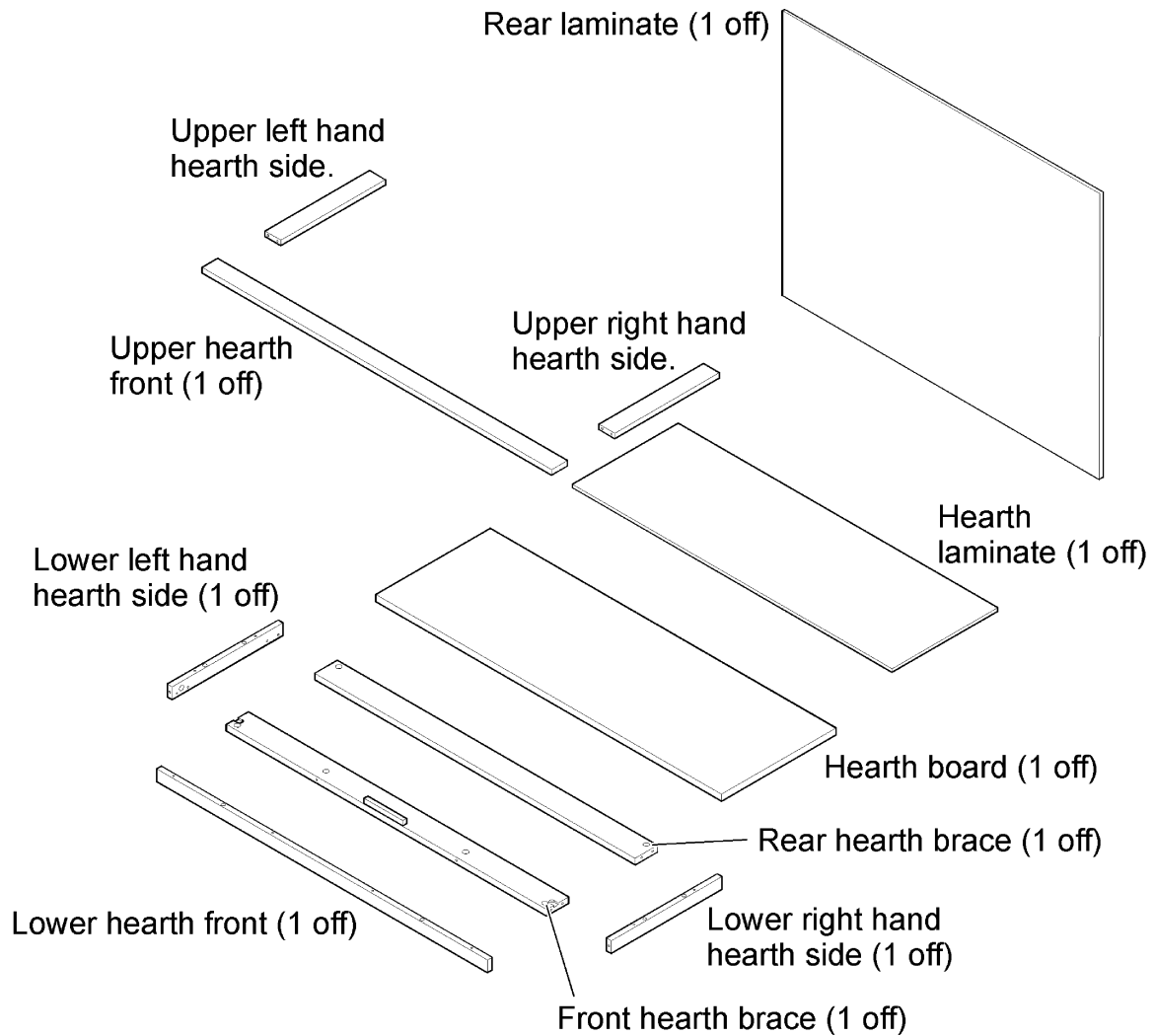
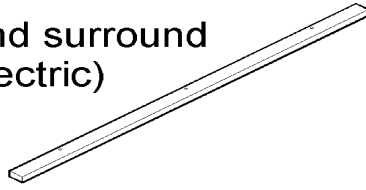


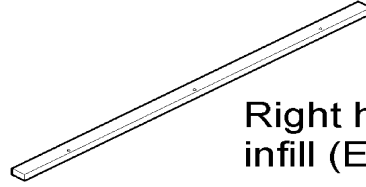
Figure 1. Contents (Items are not to scale. Any components extra to those above can be discarded).

# INSTALLATION GUIDE

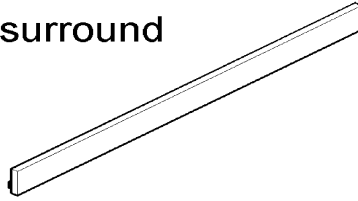
Left hand surround  
infill (Electric)



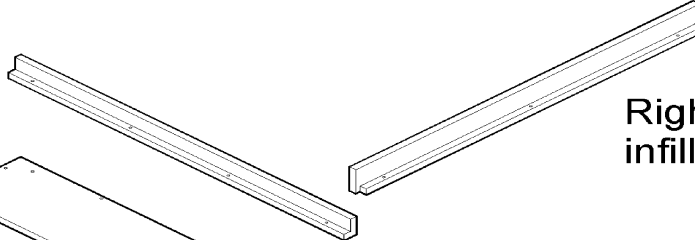
Right hand surround  
infill (Electric)



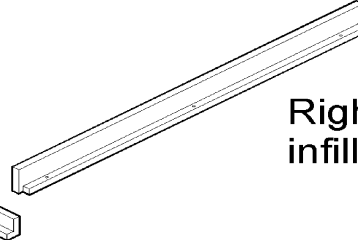
Left hand surround  
infill (Gas)



Top surround  
infill (Gas)

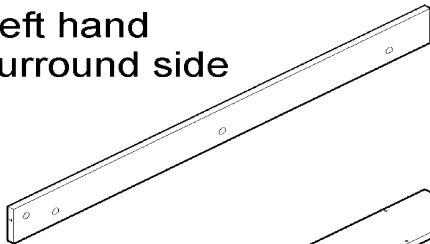


Right hand surround  
infill (Gas)



Surround fascia  
board

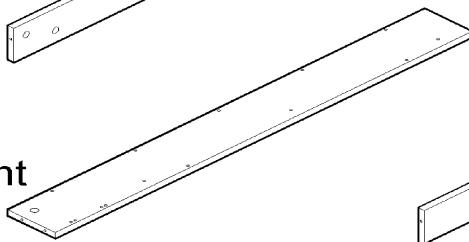
Left hand  
surround side



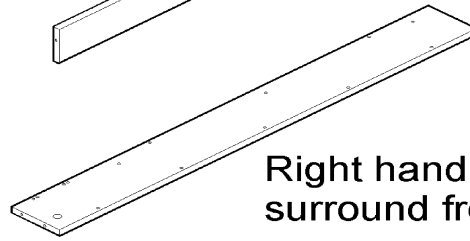
Right hand  
surround side



Left hand  
surround front



Right hand  
surround front



Surround top

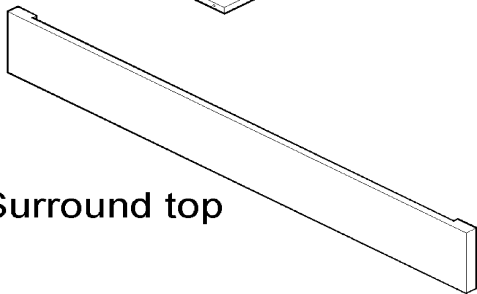


Figure 1. Continued.

# INSTALLATION GUIDE

## ASSEMBLING THE HEARTH

The installation of this Surround / Mantle and hearth requires a reasonable level of DIY skills.

Please read this guide thoroughly before commencing installation and if in doubt, seek help from a competent person.

### Do I need any tools?

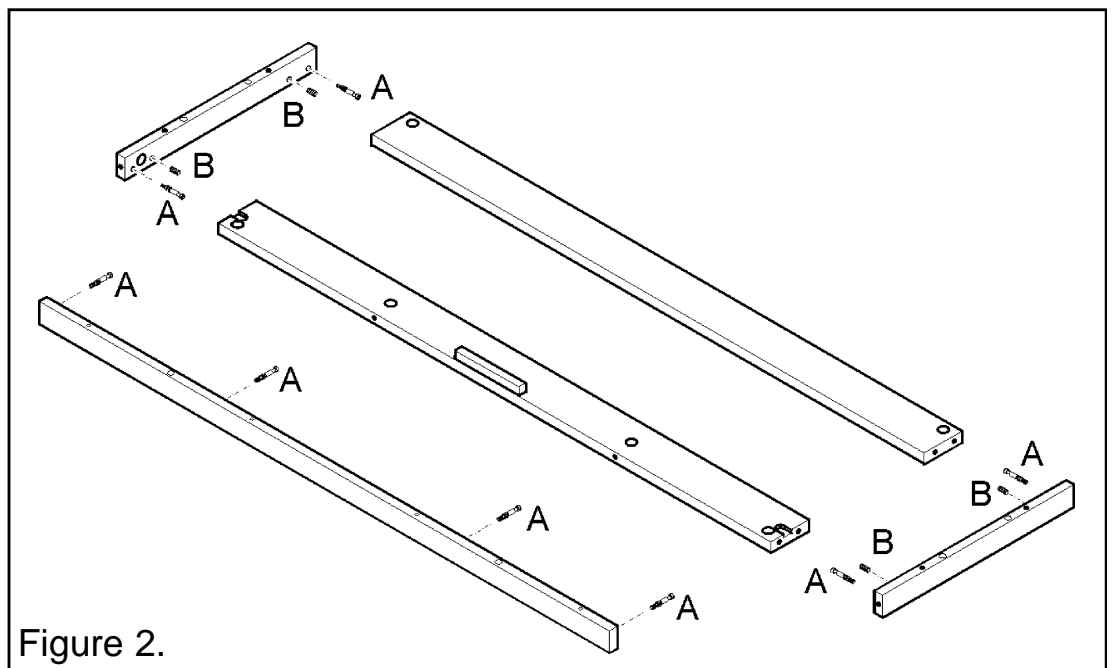
You will need the following tools :

- A Pozidrive / Phillips / cross head screwdriver. This should have a number 2 size tip.
- If drilling into brick work you will need a power drill (preferably with hammer action) and appropriate sized masonry drill bit for the wall plugs supplied.
- A jigsaw or laminate saw.
- A tape measure.
- A marker pen.
- A suitably sized drill bit for the screws supplied.

### How to assemble the hearth.

#### Step 1

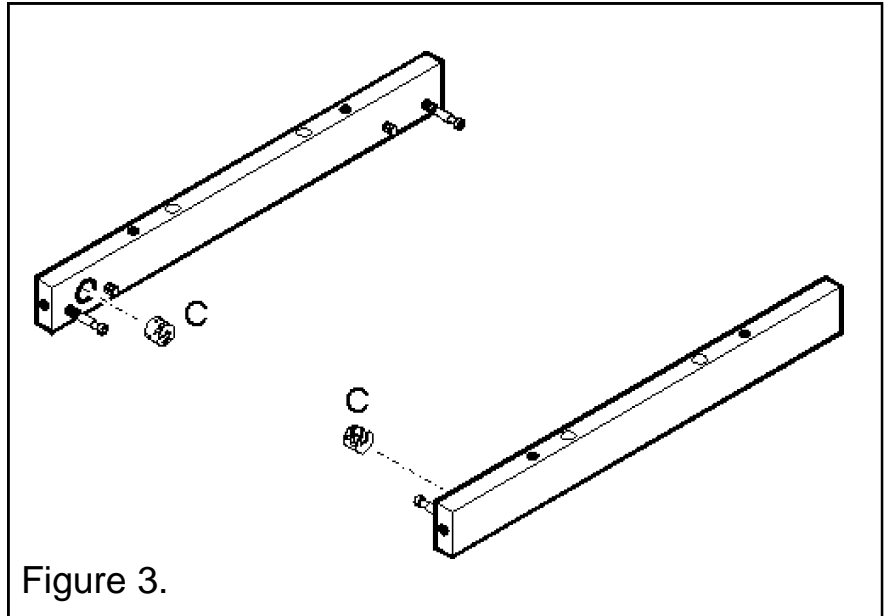
- Screw eight cam bolts into the lower left hand hearth side, lower right hand hearth side and lower hearth front as in figure 2.
- Insert four long wooden dowels into the lower left and right hand hearth sides as in figure 2.



# INSTALLATION GUIDE

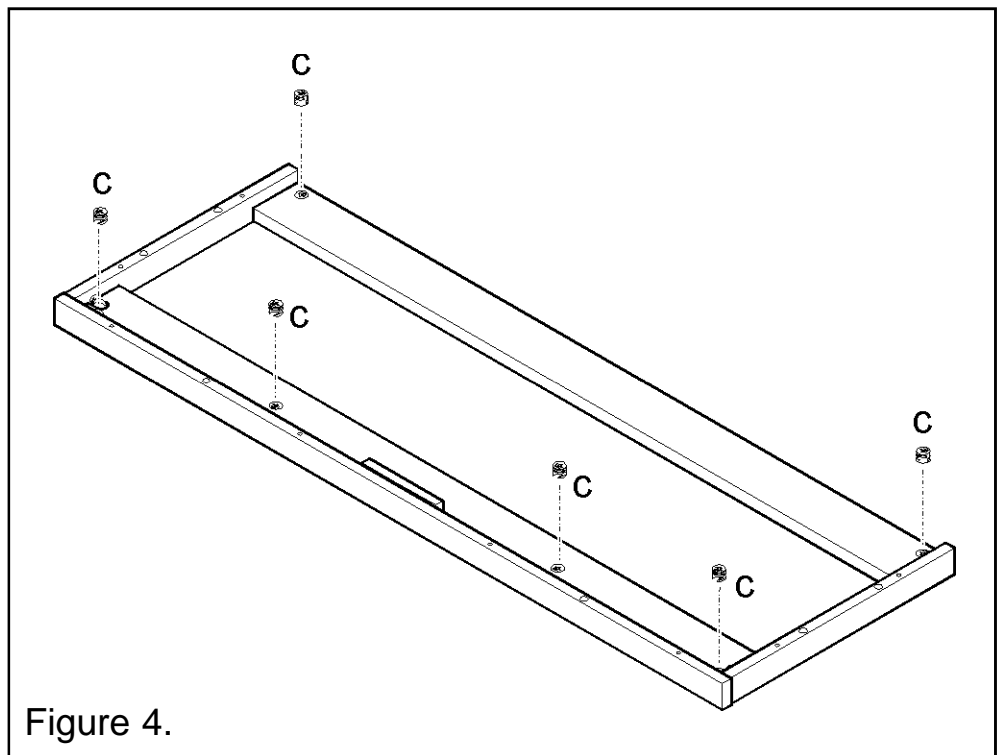
## Step 2

- Insert two cam locks into the left and right hand hearth sides as in figure 3.



## Step 3

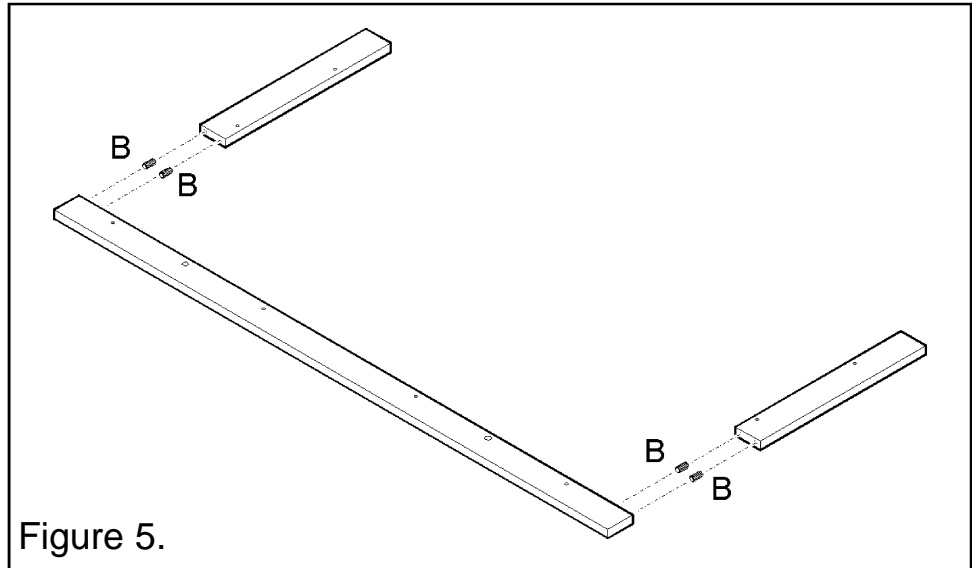
- Locate the front and rear hearth braces, the lower left hand hearth side, the lower right hand hearth side and lower hearth front as in figure 4. Note that the front hearth brace has an additional wooden strip on its upper front face.
- Insert and tighten six cam locks as in figure 4.
- Tighten the two cam locks previously inserted in step 2.



# INSTALLATION GUIDE

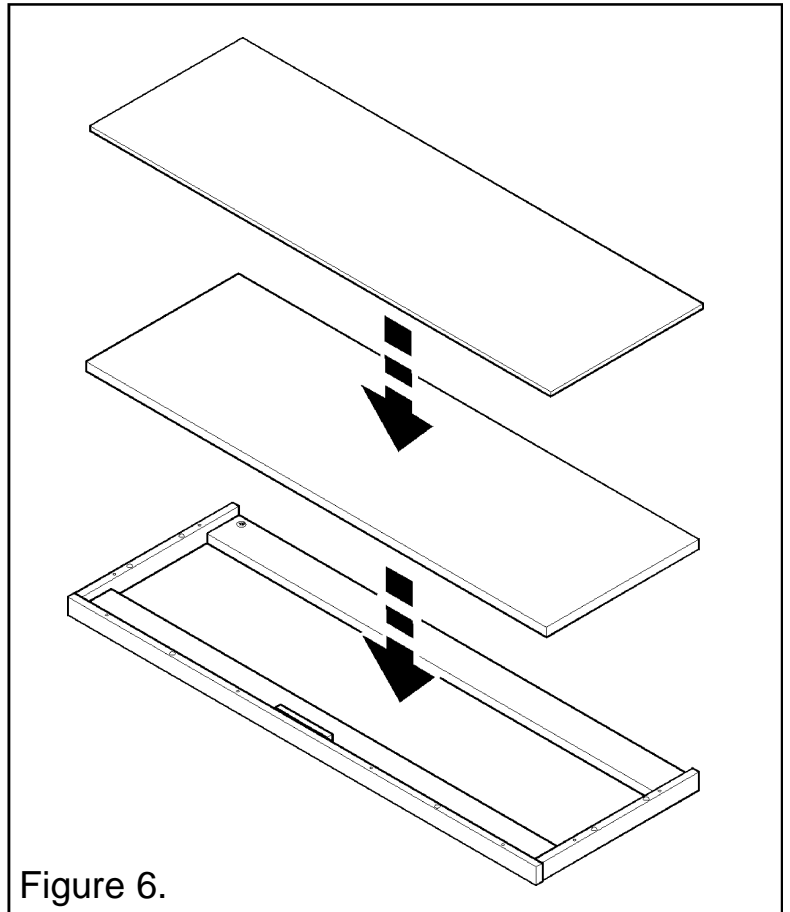
## Step 4

- Assemble the upper hearth sides and upper hearth front by inserting four long wooden dowels as in figure 5.



## Step 5

- Insert the hearth board and laminate as in figure 6.





# INSTALLATION GUIDE

## Step 6

- Insert six long dowels as in figure 7.
- Assemble the upper and lower parts of the hearth using eight 35mm screws as in figure 7.

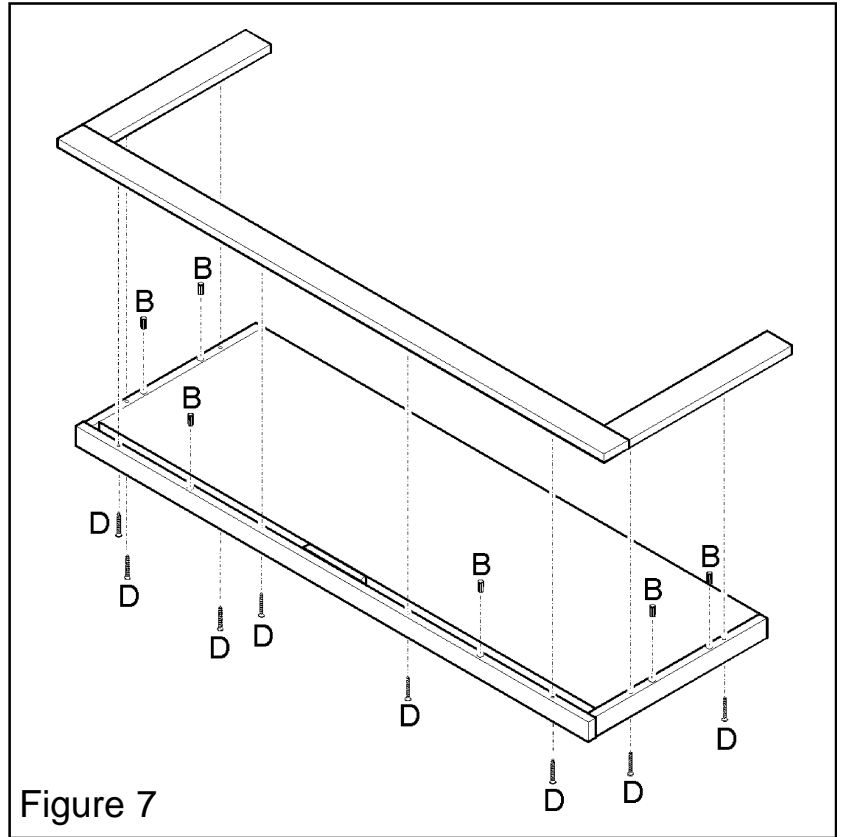


Figure 7

## How to assemble the surround.

### Step 7

- Screw six cam bolts into the left and right hand surround fronts as in figure 8.
- Insert four short wooden dowels into the left and right hand surround fronts as in figure 8.
- Assemble the sides to the surround fronts.
- Insert and tighten six cam locks as in figure 8.

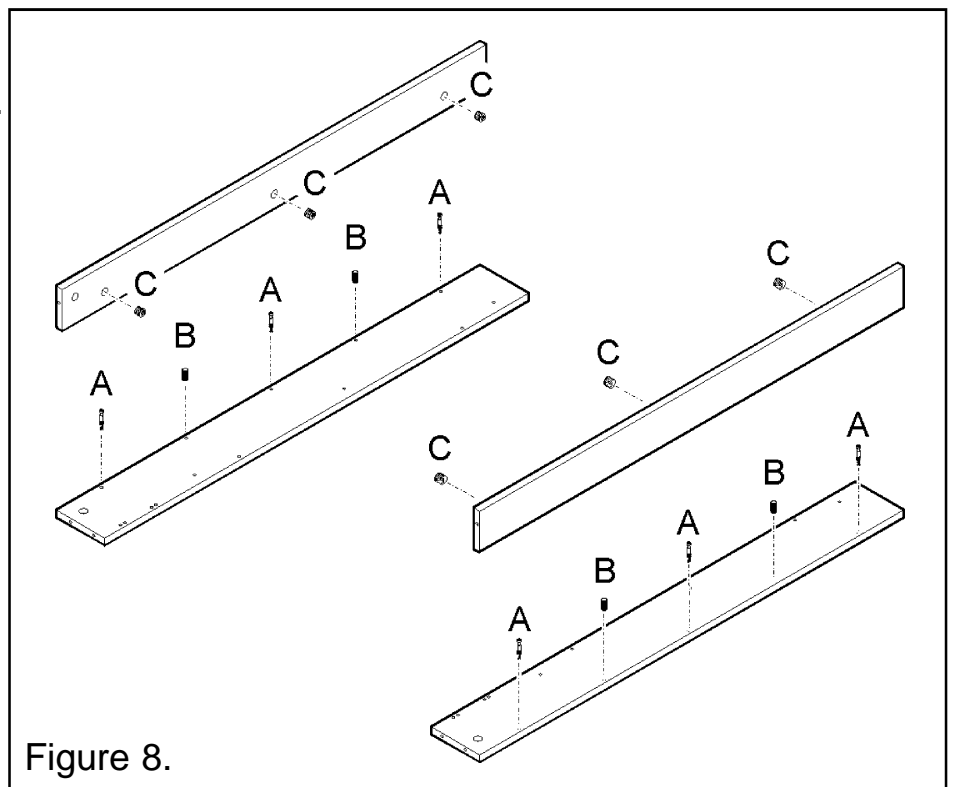
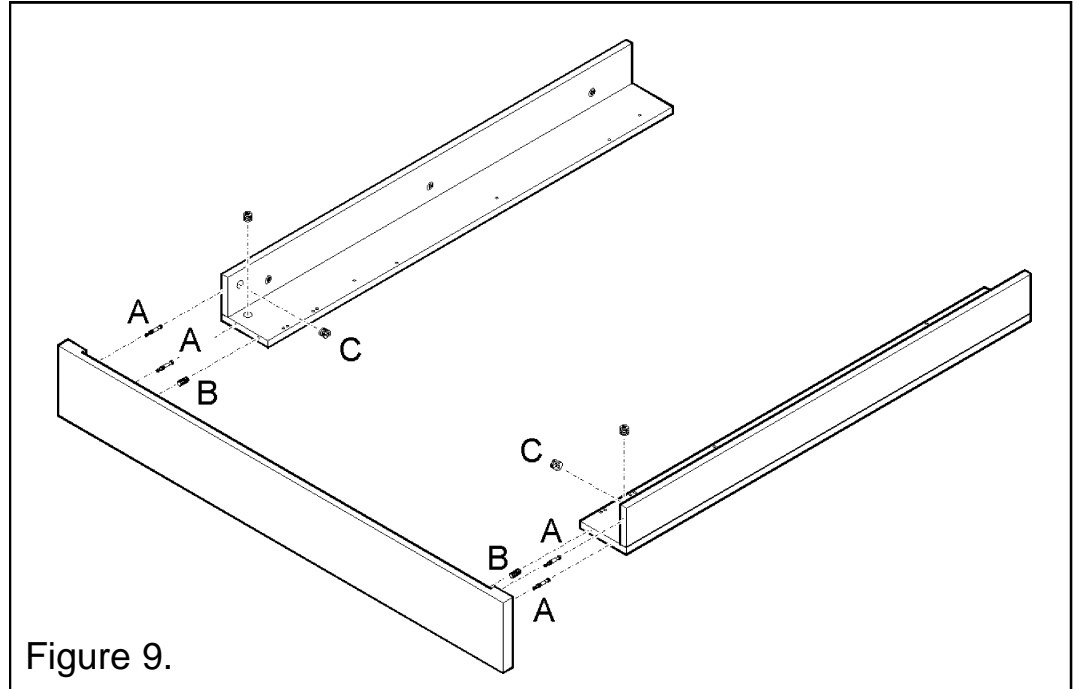


Figure 8.

# INSTALLATION GUIDE

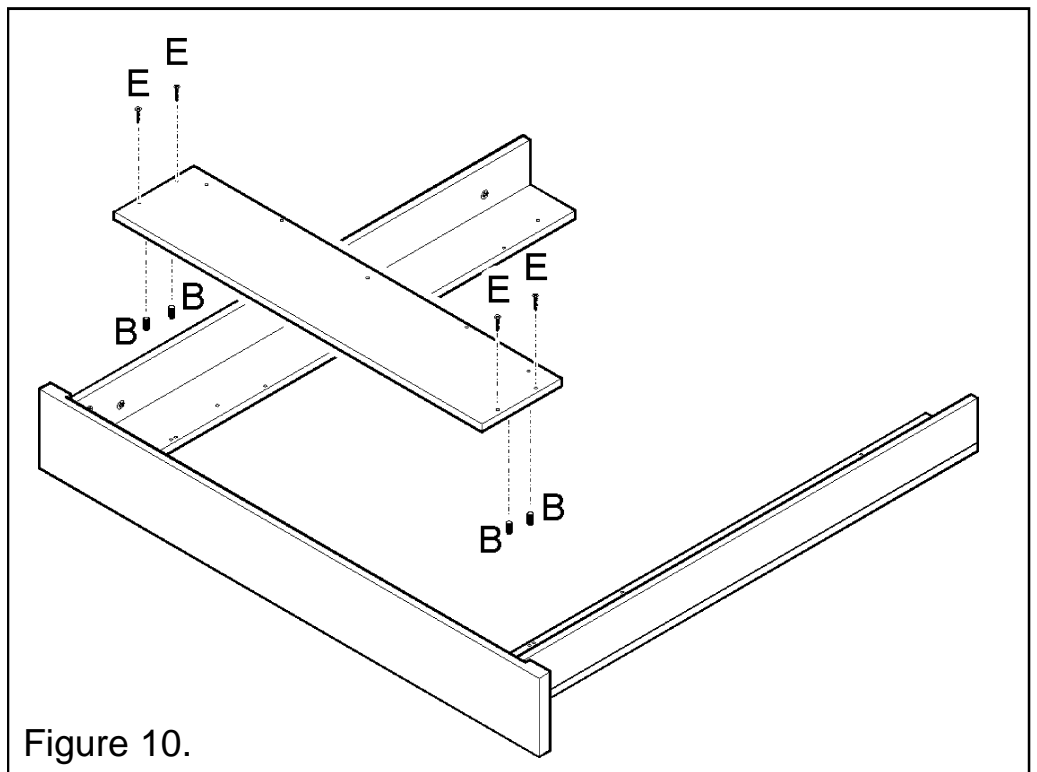
## Step 8

- Screw four cam bolts into the surround top as in figure 9.
- Insert two short wooden dowels into the surround top as in figure 9.
- Assemble the surround top to the surround legs. Insert four cam locks as in figure 9 and tighten.



## Step 9

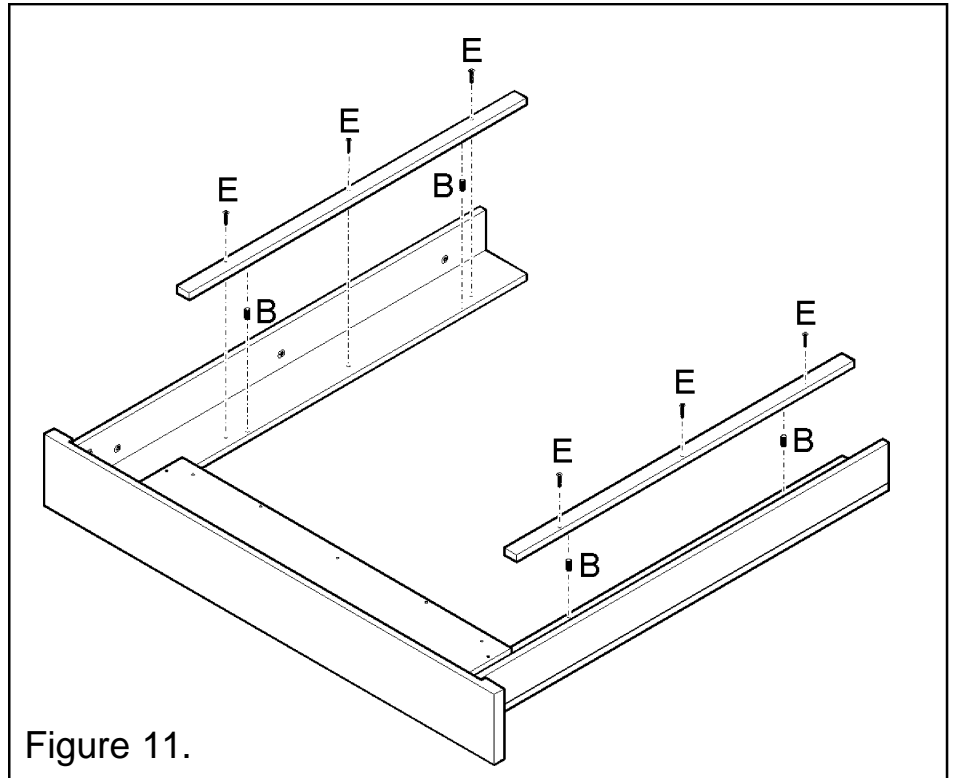
- Insert four short wooden dowels into the surround fascia board as in figure 10.
- Locate the surround fascia board onto the surround assembly and secure with four 25mm screws.



# INSTALLATION GUIDE

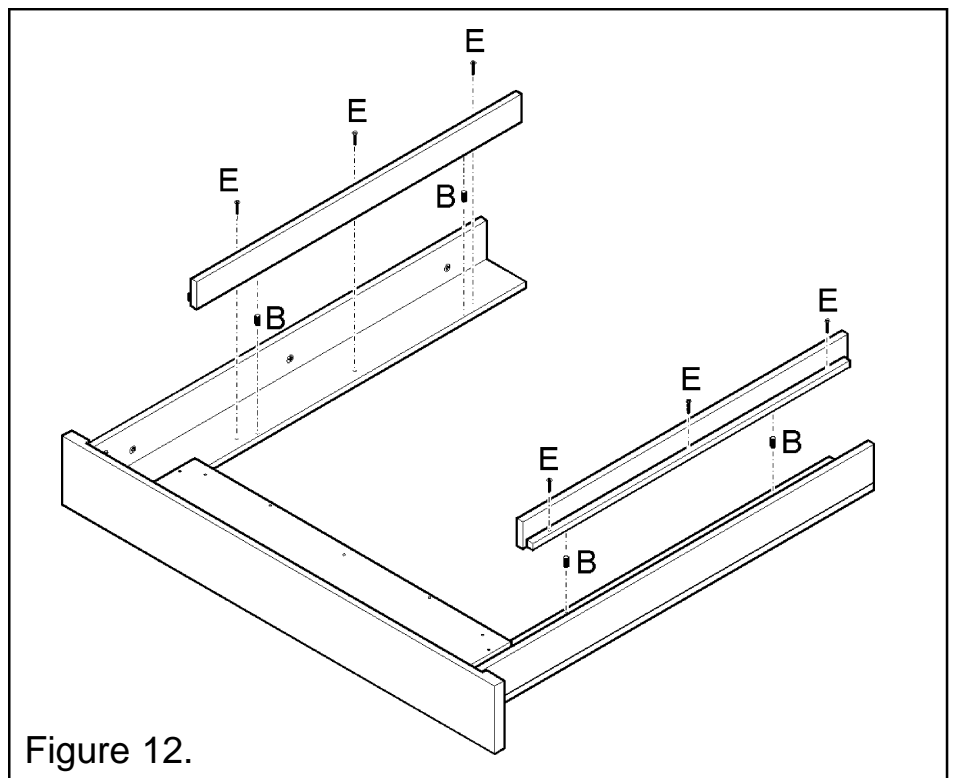
## Step 10 (For electric heater installations).

- Locate the electric left hand and right hand infill strips. Secure with six 25mm screws as in figure 11.



## Step 10 (For gas fire installations).

- Insert four short wooden dowels into the left and right hand surround front as in figure 12.
- Locate the gas left hand and right hand infill strips onto the dowels. Secure with six 25mm screws as in figure 12.



# INSTALLATION GUIDE

## Step 11 (For gas fire installations).

- Insert two short wooden dowels into the gas top surround infill as in figure 13.
- Secure with three 25mm screws as in figure 13.

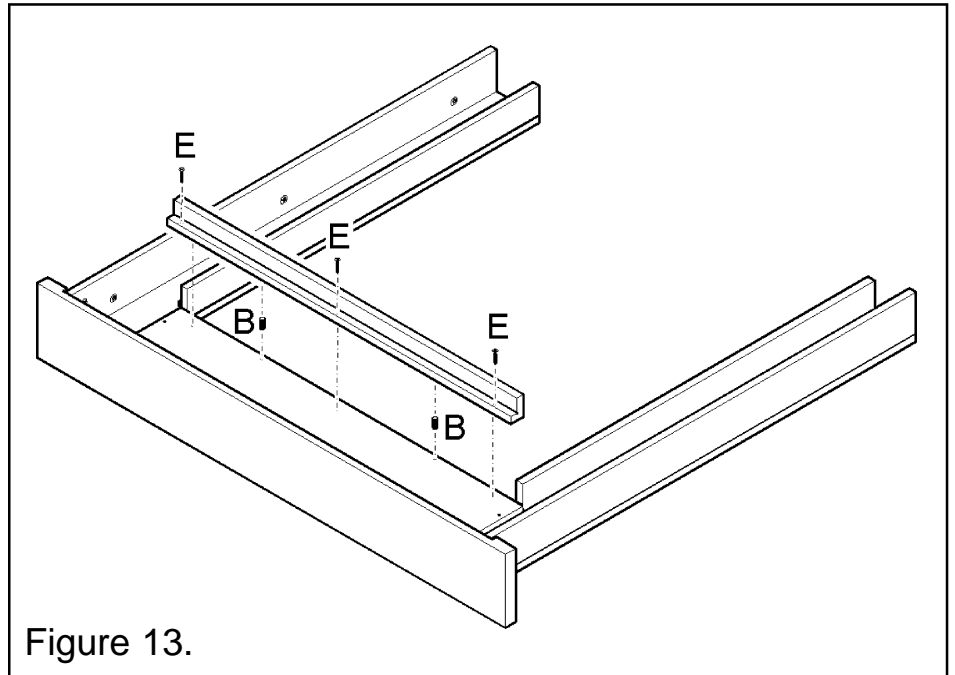


Figure 13.

## Step 12 Cutting, drilling and securing the rear laminate.

### Cutting and drilling.

- The rear laminate is not square. Before marking, ensure that the laminate is the correct way round to cover the opening in the surround.
- On the rear of the laminate, mark out the area to be cut using a tape measure and fine marker pen. The cut-out area should be 558mm (22") high & 406mm (16") wide. Check that the blade is suitable for laminate before cutting. Carefully cut out the section using a jigsaw or laminate saw.
- Drill four equally spaced holes each side of the back panel along the dotted line

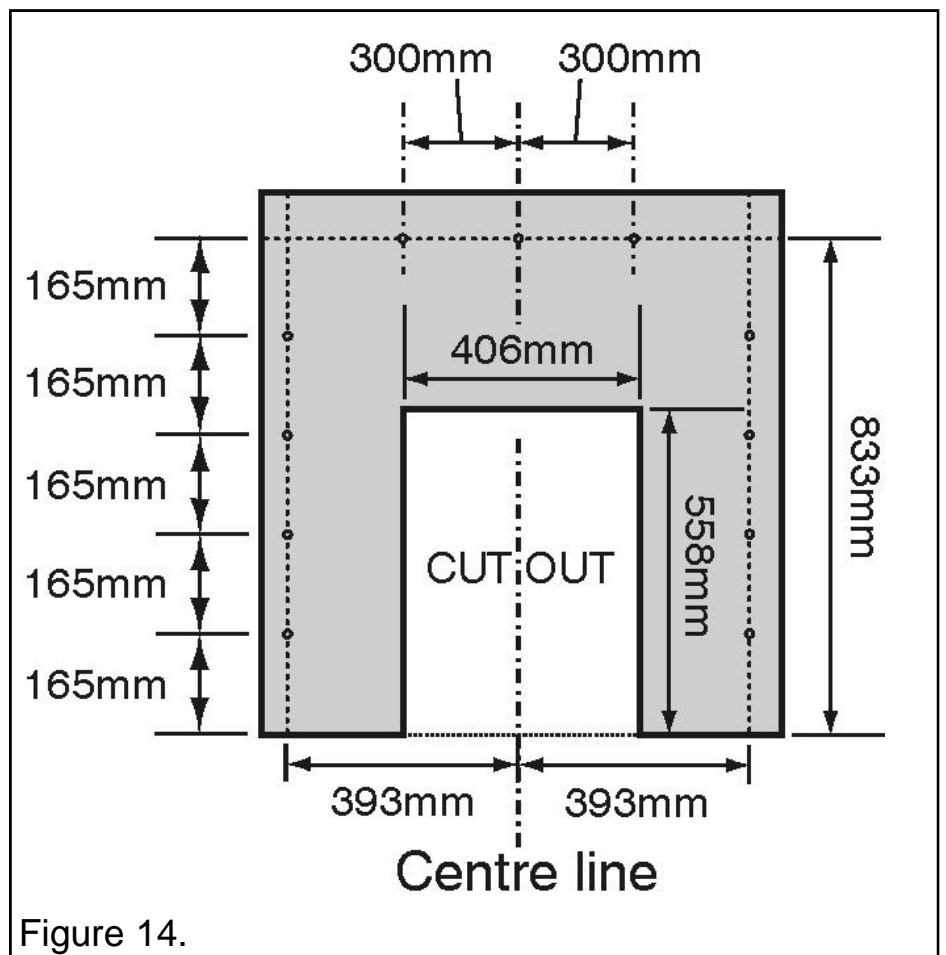


Figure 14.

# INSTALLATION GUIDE

shown in figure 14. Drill three equally spaced holes at the top of the back panel along the dotted line shown in figure 14.

## Securing.

- Offer the back panel to the rear of the surround assembly and position centrally.
- Screw the laminate to the surround using eleven 10mm screws.

## Step 13 (All installations).

### Securing the wall fixing brackets.

- Place the wall fixing brackets 100mm from the top of the surround as shown in figure 15. Secure in place using four 10mm screws.

### Securing the surround assembly.

- Carefully move the surround assembly into place. Ensure that the surround is central to the hearth. Mark the positions of the bracket holes on the wall. Move the assembly aside and drill suitable sized holes. Insert the wall plugs. Place the whole assembly into position and secure using two 35mm screws.

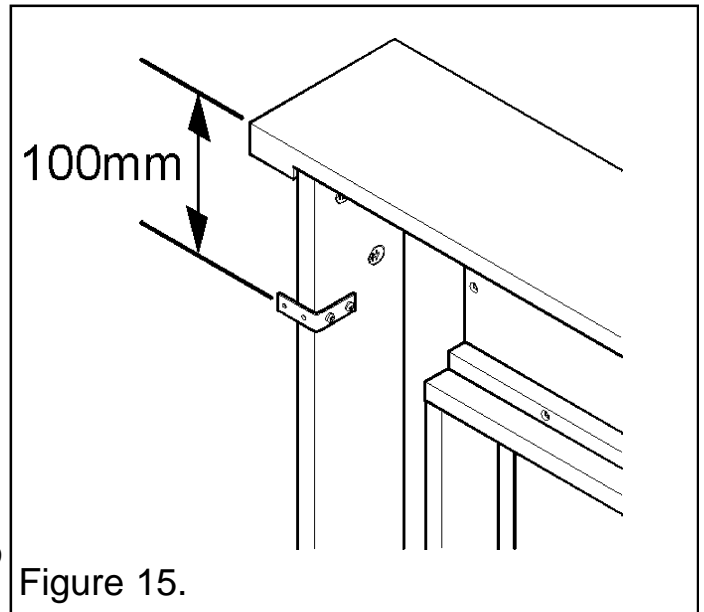


Figure 15.

*Note: The wall plugs are only suitable for brick or block walls. For timber framed walls covered in plaster board we recommend the use of heavy duty cavity fixings.*





VALOR FIRES