

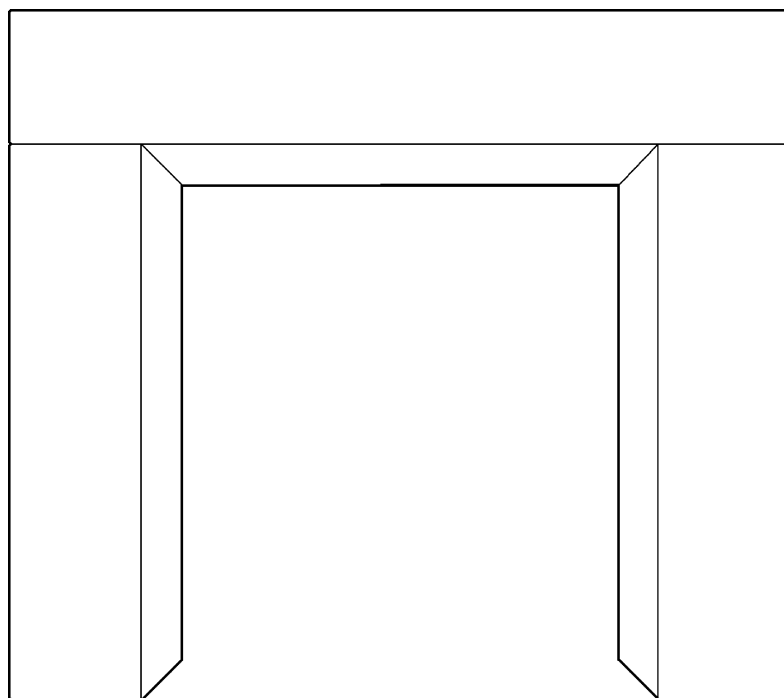
BAXI FIRES DIVISION

INSTALLATION GUIDE

Aztec

 **Solo-pro** marble™

Travertine Surround / Mantle Set



This guide should be read in conjunction with the installer and owner guides supplied with the heater.

This guide is intended to help you install your Solo-pro Marble Surround / Mantle set. Please read carefully before installing. However, if further information is required, our **Baxi Fires Division Technical Helpline** will be pleased to help.

Telephone **08706 061 065** (National call rates apply in the United Kingdom)

In the Republic of Ireland call **0044 8706 061 065**.

Important: Please keep your guide in a safe place for future reference

INSTALLATION GUIDE

© Baxi Heating U.K. Limited 2006.

All rights reserved. No part of this publication may be reproduced in any material form (including photocopying), stored in any medium by electronic means (including in any retrieval system or database) or transmitted, in any form or by any means, whether electronic, mechanical, recording or otherwise, without the prior written permission of the copyright owner.

Applications for the copyright owner's permission to reproduce any part of this publication should be made, giving details of the proposed use, to the following address:
The Company Secretary, Baxi Heating UK Limited, Pentagon House, Sir Frank Whittle Road, Derby, DE21 4XA.

Warning: Any person who does any unauthorised act in relation to a copyright work may be liable to criminal prosecution and civil claims for damages.

If you require further assistance, the **Baxi Fires Division Technical Helpline** will be pleased to help.

Please telephone **08706 061 065** (local rates apply in the United Kingdom). In the Republic of Ireland please telephone **0044 8706 061 065**.

B A X I F I R E S D I V I S I O N

Baxi Fires Division, Erdington, Birmingham B24 9QP.

www.firesandstoves.co.uk

Because our policy is one of constant development and improvement, details may vary slightly from those given in this publication

INSTALLATION GUIDE

INTRODUCTION

Solo-pro - The first real stone solution you can fit yourself.

An innovation in fireplace solutions, Solo-pro has all the natural beauty of real marble or granite, without the weight, complications or expense.

Real stone fireplaces look undeniably beautiful, but they are expensive, heavy and are normally only fitted by a specialist. In the past, your only alternative was bonded marble, which sacrificed beauty over cost and convenience. But today, thanks to the Solo-pro innovation, you can have the best of both worlds - the true beauty of marble and the simplicity of a fit-it-yourself solution.

Using a revolutionary new technique, Solo-pro marble uses a natural marble veneer, giving you a fireplace that not only looks stunning but can be fitted simply, quickly and without expert help.

All natural stone is subject to inherent shakes, veins and fissures. Some marbles have open veins, which may require filling or reinforcing. This should not be regarded in any way as a defect. Natural stone is subject to variations of graining, random pitting and fossil marking: this should be regarded as a feature of stone not a defect.

Each marble has its own unique characteristics and will vary in colour, shading and veining. Its composition is unique and reflects the geological conditions present when it was formed.

The veins and fissures of solid marble can produce wonderful effects in classical architecture but this can be disproportionate in the smaller rooms that we have now.

Natural marble and granite is porous and can be affected by alkalines and acids. A feature of natural marble is its individual colour quality and veining. Colour matching cannot always be guaranteed to samples.

Natural stone is virtually maintenance free, when sealed correctly. The use of the correct sealant is very important, as it protects the stone tile by forming a barrier against dirt and stains. Untreated marble or granite is surprisingly porous and can therefore stain if it comes into contact with deeply coloured liquids if left uncleaned.

Notice: Please ensure that you seal your product with a marble, granite or stone sealant at the earliest opportunity.

We do recommend that spills are mopped up as soon as possible and that any damage to the surface is treated by a professional to restore the polish and seal.

INSTALLATION GUIDE

SAFETY

- When drilling into brick work always wear safety goggles, a dust mask, and always work in a well ventilated area.
- Keep children clear of work area especially when assembling or moving the surround / mantle assembly.
- Always read the installer and owner guide supplied with the heater / fire. This guide should be read in conjunction with those supplied with the heater / fire.
- Always tidy loose electrical leads in the work area.
- Always switch off electric power when not needed.
- The surround must always be fixed into position.

HANDLING AND UNPACKING

Before continuing any further with the installation of this surround / mantle please read the following:

Important instructions.

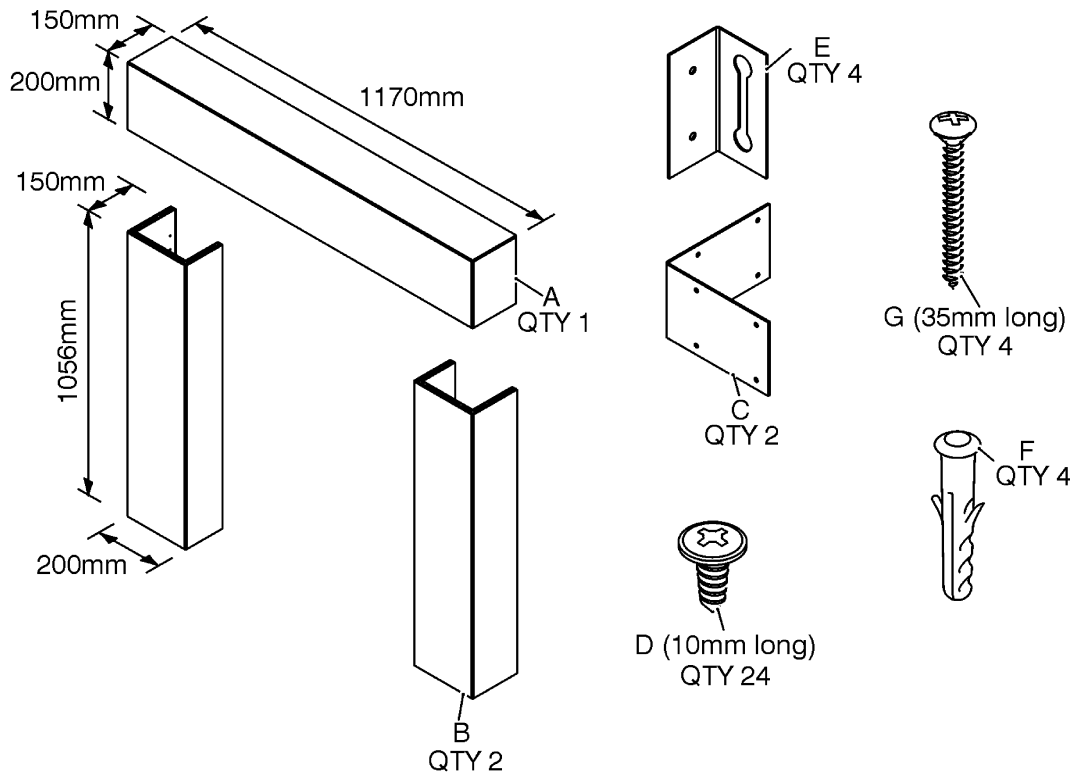
- The approximate lifting weight of the surround / mantleparts is as below :

Top	9.20 kg.
Leg	5.58 kg.

- One person should be sufficient to lift the surround / mantle. If for any reason the weight of either is considered too heavy then obtain assistance.
- When lifting always keep your back straight. Bend your legs and not your back.
- Avoid twisting at the waist. It is better to reposition your feet.
- Avoid upper body / top heavy bending. Always bend from the knees rather than the waist. Do not lean forward or sideways whilst handling.
- Always grip with the palm of the hand. Do not use the tips of fingers for support.
- Always keep the surround / mantle as close to the body as possible. This will minimise the cantilever action.
- Use gloves to provide additional grip.
- Always use assistance if required.

INSTALLATION GUIDE

CONTENTS



ASSEMBLING THE SURROUND / MANTLE

The installation of this Surround / Mantle requires a reasonable level of DIY skills. Please read this guide thoroughly before commencing installation and if in doubt, seek help from a competent person

Do I need any tools?

You will need the following tools :

- A Pozidrive / Phillips / cross head screwdriver. This should have a number 2 size tip.
- If drilling into brick work you will need a power drill (preferably with hammer action) and appropriate size drill bit for the wall plugs supplied.

INSTALLATION GUIDE

How to assemble the Surround / Mantle.

Step 1

- Lay the three surround / mantle sections onto a smooth, flat, clean surface with the insides facing upward (See figure 2).

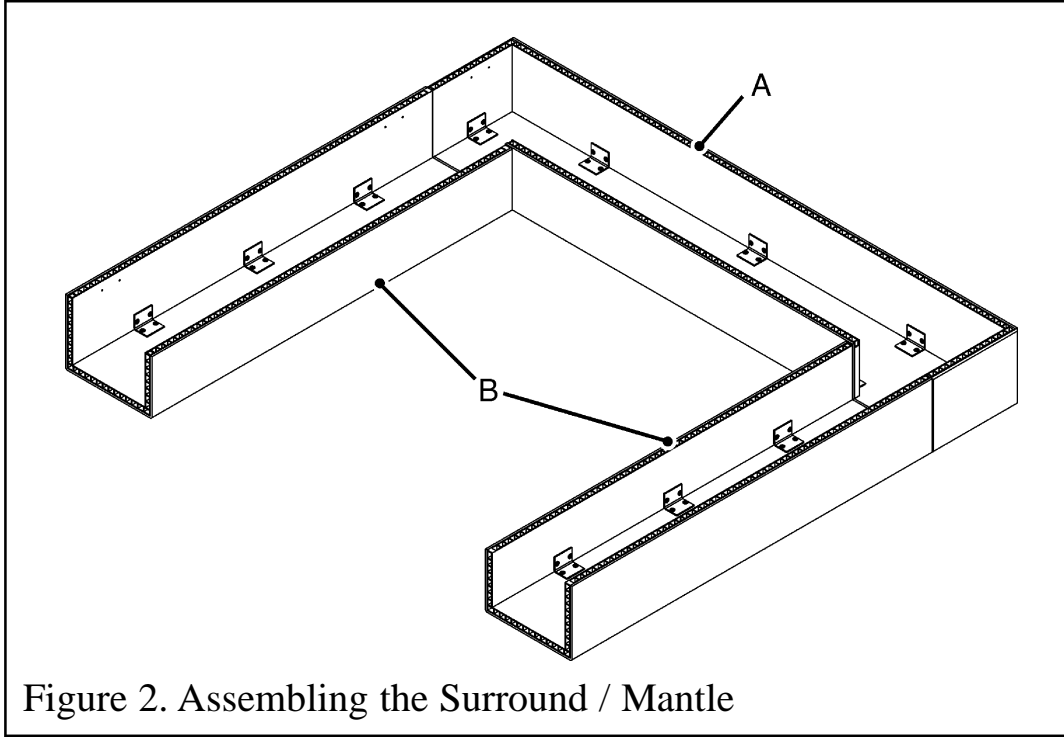


Figure 2. Assembling the Surround / Mantle

Step 2

- Ensure that the outside edges are in line and that there are no gaps between the legs and top. Place the large corner brackets (C) centrally across the join between the top and side legs. Line up the bracket holes with the pilot holes in the surround / mantle and secure using sixteen screws (D).

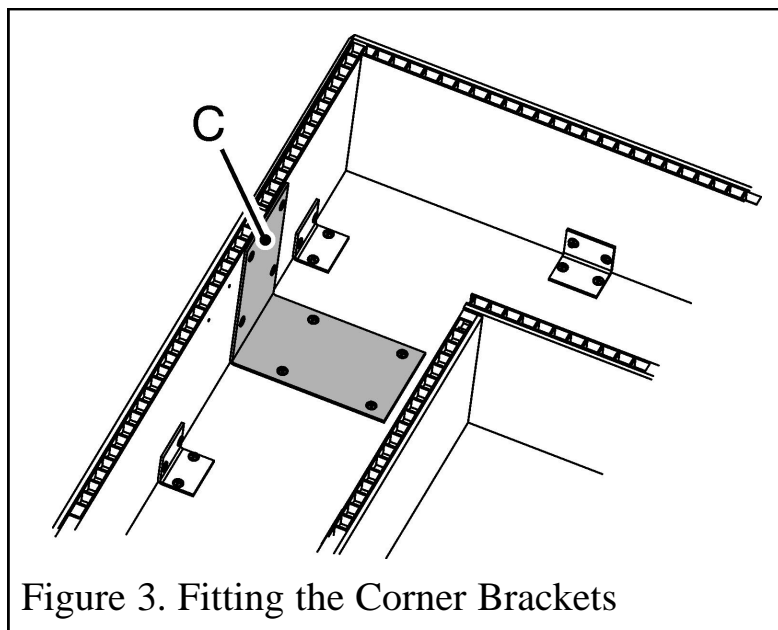
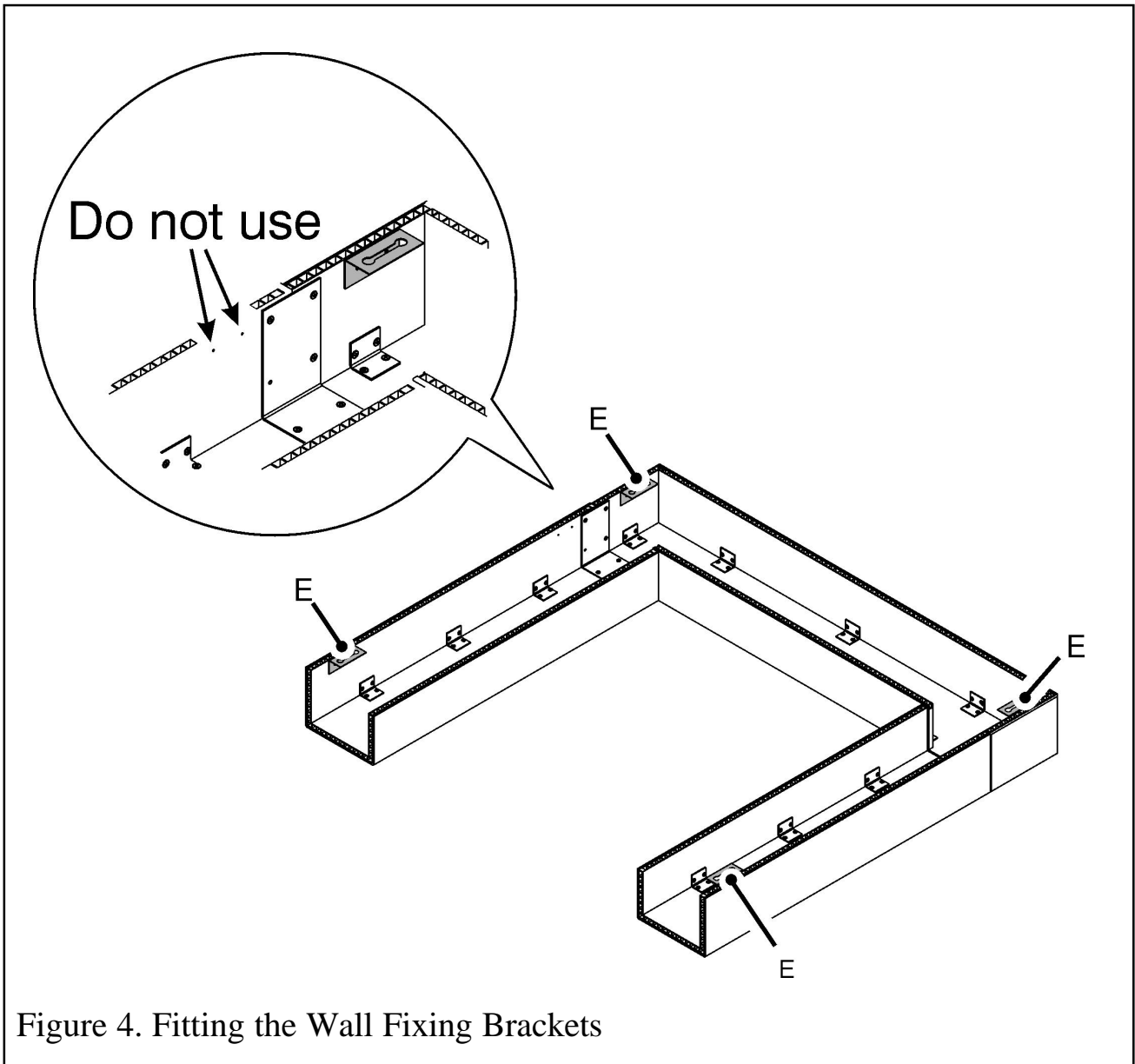


Figure 3. Fitting the Corner Brackets

INSTALLATION GUIDE

Step 3

- There are pilot holes in the side of the top section (A) and bottom of legs (B). Place wall fixing brackets (E) as in figure 4. Secure in place using eight screws (D). The pilot holes at the top of leg (B) are not to be used.



INSTALLATION GUIDE

Step 4

• There are four wall fixing points shown in figure 5. Mark the positions of the fixing points on the wall. Drill suitable sized holes at the fixing points for the wall plugs supplied. Insert four wall plugs (F). Insert four screws (G) leaving approximately 3mm between the wall surface and the rear of the screw head. Lift and position the surround / mantle into position. The screws can be adjusted to obtain the best fit. This will require removal of the surround / mantle.

Note: The wall plugs are only suitable for brick or block walls. For timber framed walls covered in plaster board we recommend the use of heavy duty cavity fixings.

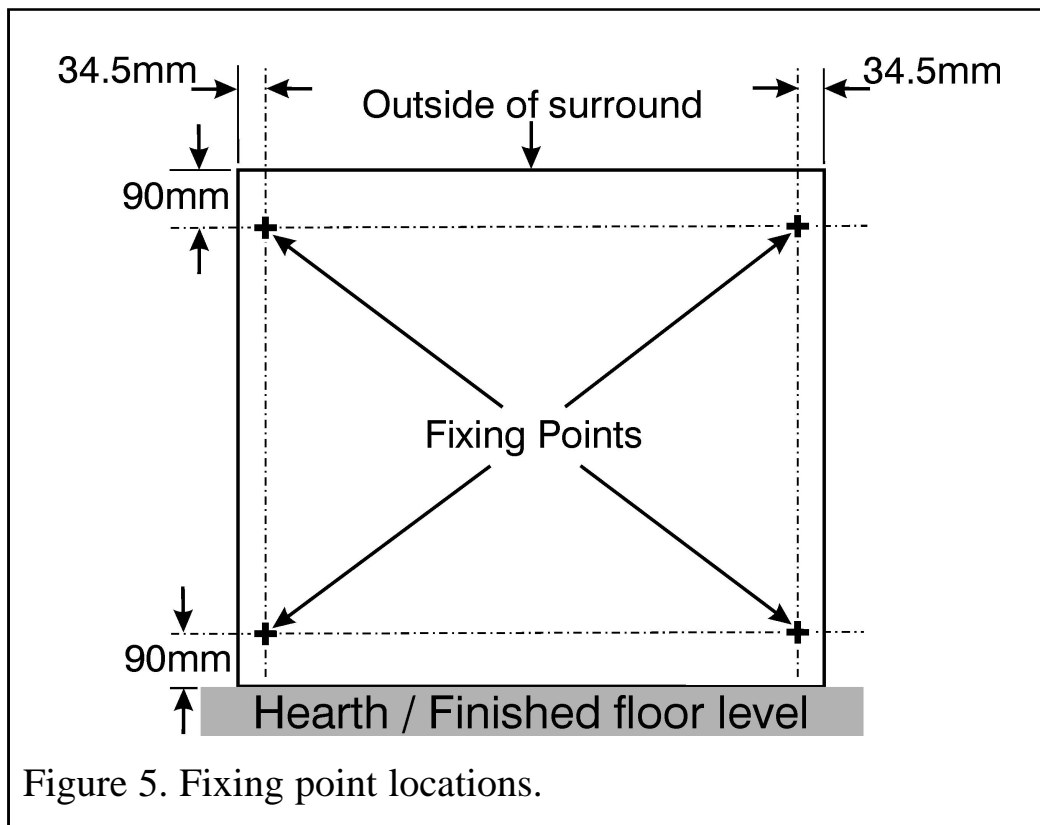


Figure 5. Fixing point locations.

Caring for your Surround / Mantle.

- DO wipe any spills off immediately to limit possibility of staining.
- DO clean regularly with a soft damp cloth.
- DO NOT use abrasive cleaners.
- DO NOT allow any acids or oils to come in contact with the marble or Granite (This includes cleaning solutions, vinegar, lemon juice, candle wax etc.).
- DO NOT allow prolonged exposure to water.

If you require further assistance, the **Baxi Fires Division Technical Helpline** will be pleased to help.

Please telephone **08706 061 065** (local rates apply in the United Kingdom). In the Republic of Ireland please telephone **0044 8706 061 065**.