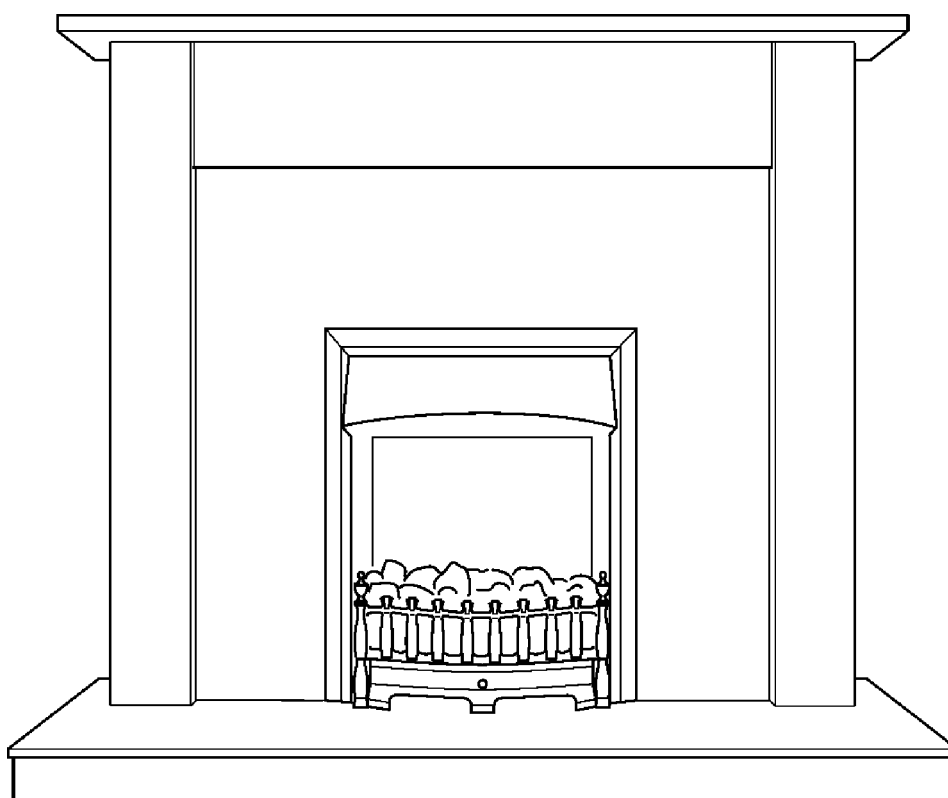


# BAXI FIRES DIVISION

## INSTALLATION GUIDE

# Madison

## Electric Suite



**This guide should be read in conjunction with the installer and owner guides supplied with the heater.**

This guide is intended to help you install your Madison suite. Please read carefully before installing. However, if further information is required, our

**Baxi Fires Division Technical Helpline** will be pleased to help.

Telephone **08706 061 065** (National call rates apply in the United Kingdom)

In the Republic of Ireland call **0044 8706 061 065**.

**Important: Please keep your guide in a safe place for future reference**

# INSTALLATION GUIDE

© Baxi Heating U.K. Limited 2005.

All rights reserved. No part of this publication may be reproduced in any material form (including photocopying), stored in any medium by electronic means (including in any retrieval system or database) or transmitted, in any form or by any means, whether electronic, mechanical, recording or otherwise, without the prior written permission of the copyright owner.

Applications for the copyright owner's permission to reproduce any part of this publication should be made, giving details of the proposed use, to the following address:  
The Company Secretary, Baxi Heating UK Limited, Pentagon House, Sir Frank Whittle Road, Derby, DE21 4XA.

Warning: Any person who does any unauthorised act in relation to a copyright work may be liable to criminal prosecution and civil claims for damages.

If you require further assistance, the **Baxi Fires Division Technical Helpline** will be pleased to help.

Please telephone **08706 061 065** (local rates apply in the United Kingdom). In the Republic of Ireland please telephone **0044 8706 061 065**.

Baxi Fires Division, Erdington, Birmingham B24 9QP.

## B A X I F I R E S D I V I S I O N

[www.firesandstoves.co.uk](http://www.firesandstoves.co.uk)

Because our policy is one of constant development and improvement, details may vary slightly from those given in this publication

# INSTALLATION GUIDE

## SAFETY

- Always wear gloves when handling or cutting the laminate.
- When cutting MDF, Plywood or drilling into brick work always wear safety goggles, a dust mask, and always work in a well ventilated area.
- Keep children clear of work area especially when assembling the surround / mantle.
- Always read this guide in conjunction with the guides supplied with the heater.
- Always tidy loose electrical leads in the work area.
- Always switch off electric power when not needed.
- The surround must always be fixed into position.

## HANDLING AND UNPACKING

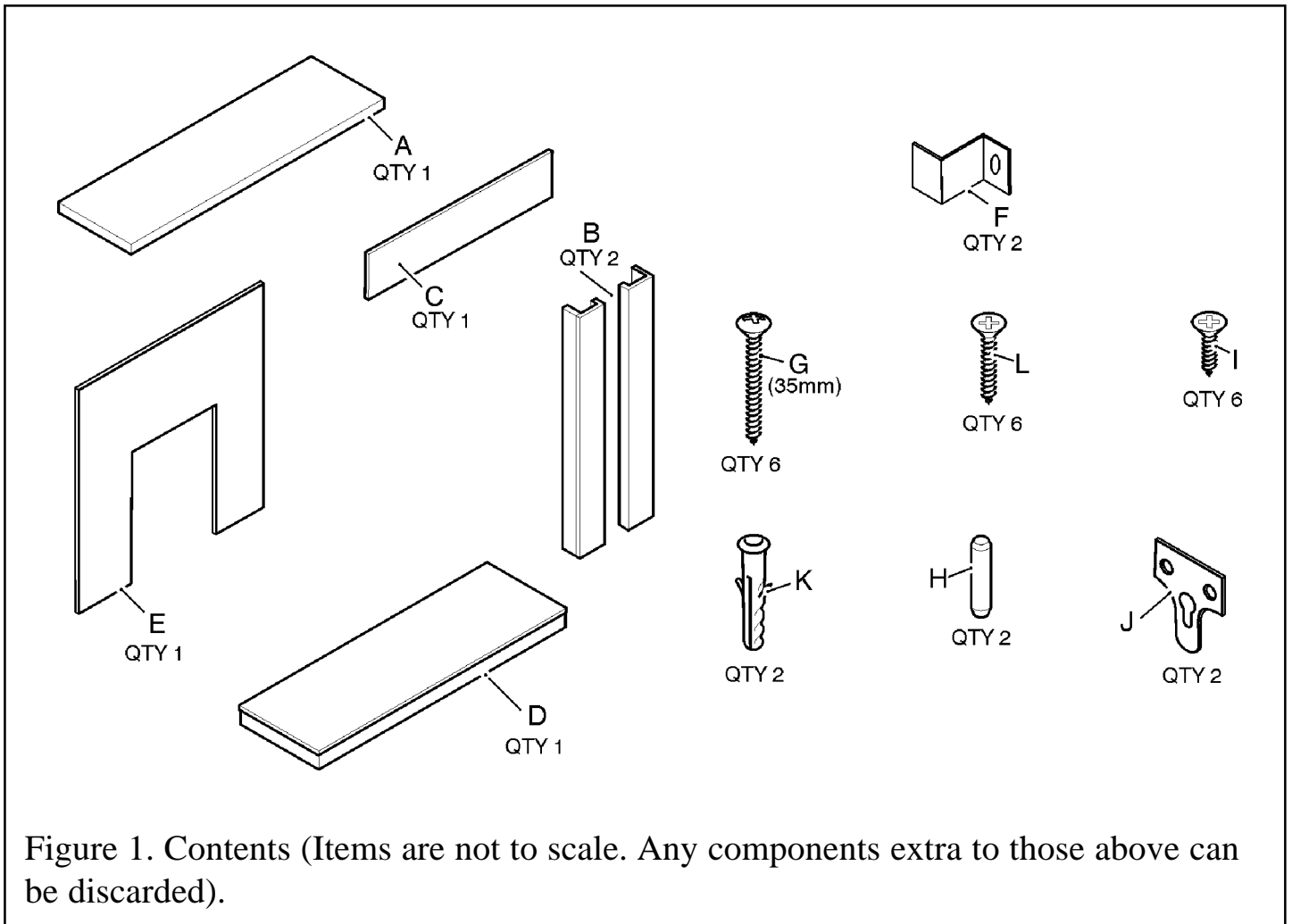
Before continuing any further with the installation of this surround and hearth please read the following:

### **Important instructions.**

- The approximate lifting weight of the surround, rear panel and hearth is 38 kg
- One person should be sufficient to lift the surround or hearth. If for any reason this weight is considered too heavy then obtain assistance.
- When lifting always keep your back straight. Bend your legs and not your back.
- Avoid twisting at the waist. It is better to reposition your feet.
- Avoid upper body / top heavy bending. Always bend from the knees rather than the waist. Do not lean forward or sideways whilst handling.
- Always grip with the palm of the hand. Do not use the tips of fingers for support.
- Always keep the Surround or Hearth as close to the body as possible. This will minimise the cantilever action.
- Use gloves to provide additional grip.
- Always use assistance if required.

# INSTALLATION GUIDE

## CONTENTS



## FITTING THE SURROUND / MANTLE AND HEARTH

**The installation of this Surround and Hearth requires a reasonable level of DIY skills. Please read this guide thoroughly before commencing installation and if in doubt, seek help from a competent person**

### Do I need any tools?

You will need the following tools :

- A Pozidrive / Phillips / cross head screwdriver. This should have a number 2 size tip.
- If drilling into brick work you will need a power drill (preferably with hammer action) and appropriate size drill bit for the wall plugs supplied.
- A 4.0 mm drill bit.

# INSTALLATION GUIDE

## How to assemble the Surround.

### Step 1. Fitting the fascia

- Take the Fascia (C) and locate it to Legs (B) using screws (L) (See figure 2).

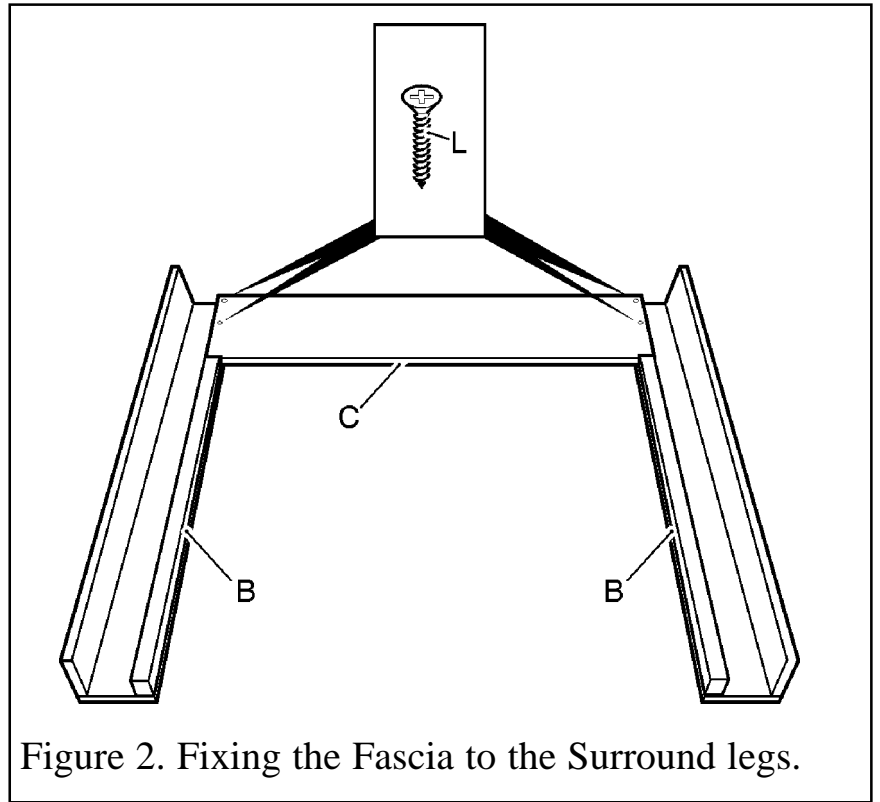


Figure 2. Fixing the Fascia to the Surround legs.

### Step 2. The Surround top

- Take the Surround top (A) and insert 2 wooden dowels (H) into the pre-drilled holes on the underside. Place the Surround top (A) on top of the Surround (See figure 3). Ensure that the dowels are located in the internal corners of legs (B) and that the **veneered edge is facing forward**. Screw into place using 4 screws (G) into the pre-drilled holes.

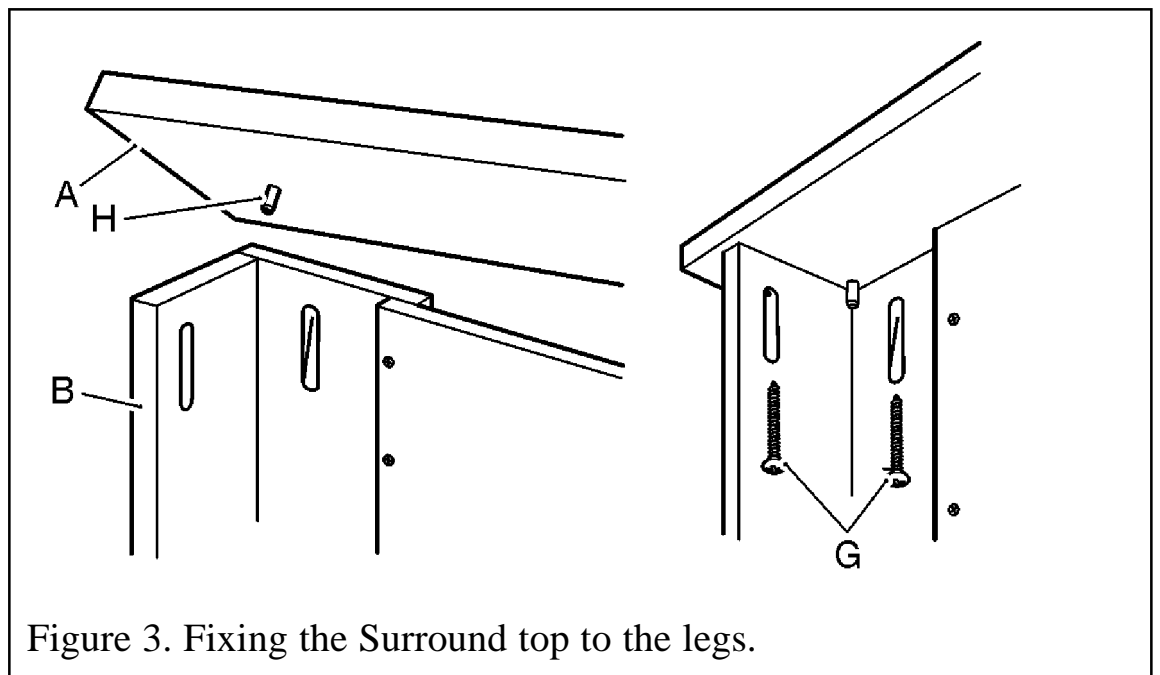


Figure 3. Fixing the Surround top to the legs.

# INSTALLATION GUIDE

## Step 3. Fixing the Back Panel.

- Drill two 4mm holes into the back panel as in figure 4.
- Offer the back panel to the rear of the Surround assembly and position centrally. Ensure that the bottom edge of the back panel is flush with the bottom of the side legs.
- Screw the Back Panel to the rear of the fascia using two screws (L).
- Locate the brackets (F) 100mm above the bottom edge of the legs. Secure these in place using two screws (I).

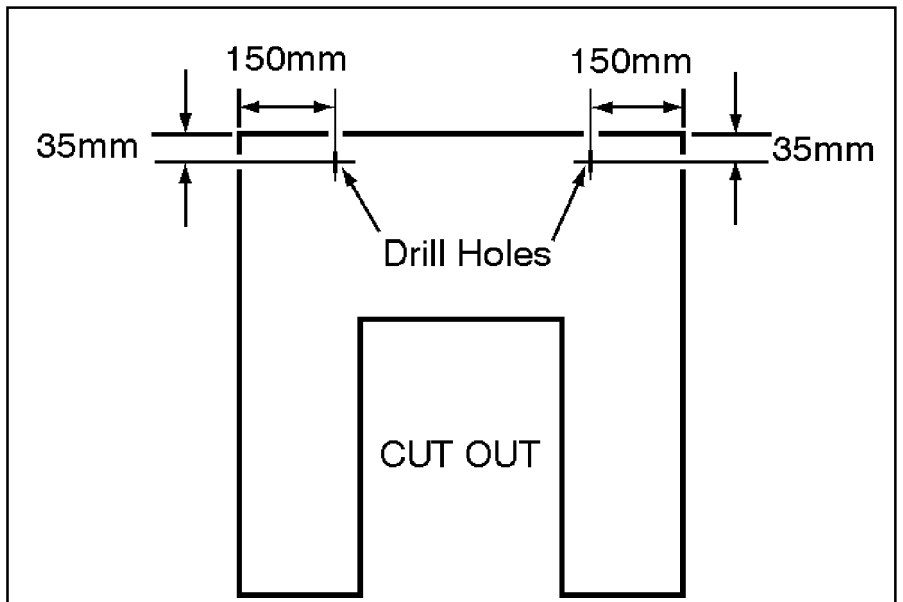


Figure 4. Drilling the Back Panel

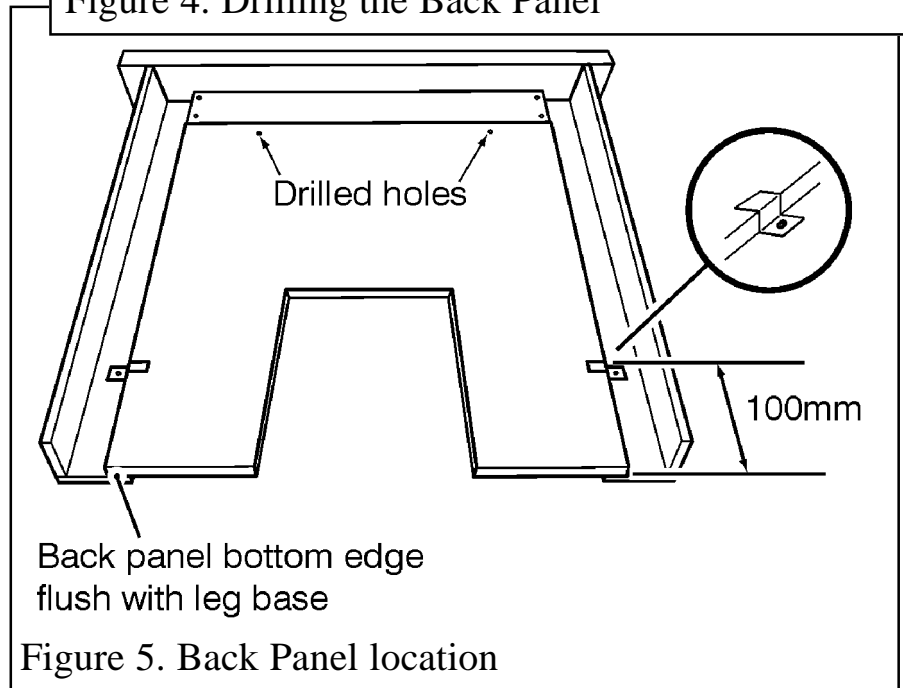


Figure 5. Back Panel location

# INSTALLATION GUIDE

## Step 4. Fixing the Surround in place.

- Place wall fixing brackets (J) 50mm from the top outside edge of the legs as shown in figure 6. Ensure that the two fixing holes in the brackets are positioned in the centre of the outside edge of the leg. The wood may split if the fixing holes are not central. Secure in place using four screws (I). Guide holes may already be in place.
- Position the Hearth in place. Carefully move the Surround assembly into place. Ensure that the Surround is central to the Hearth. Mark the positions of the bracket holes on the wall. Move the assembly aside and drill suitable sized holes. Insert the wall plugs (K). Position the whole assembly into position and secure using two screws (G).  
*Note: The wall plugs are only suitable for brick or block walls. For timber framed walls covered in plaster board we recommend the use of heavy duty cavity fixings.*

