

# VALOR FIRES

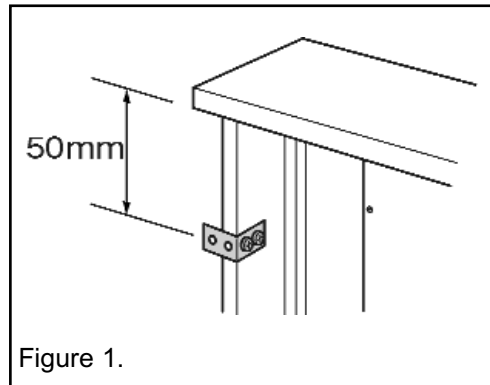
## SECURING BRACKETS ADDENDUM

This addendum is for use with the **Durham, Adelaide** and **Mersey** suite. It must be read in conjunction with the installer and owner guide supplied with the suite.

The section headed 'Securing the suite' must be replaced with the following:

### Securing the Suite.

- Place the wall fixing brackets 50mm from the top inside edge of the legs as shown in figure 1. Secure in place using four 15mm screws supplied.



- Position the suite in place. Mark the positions of the bracket holes on the wall. Move the assembly aside and drill suitable sized holes. Insert the wall plugs. Position the suite in place and secure using two 35mm wood screws supplied.

*Note: The wall plugs are only suitable for brick or block walls. For timber framed walls covered in plaster board we recommend the use of heavy duty cavity fixings.*

# VALOR FIRES

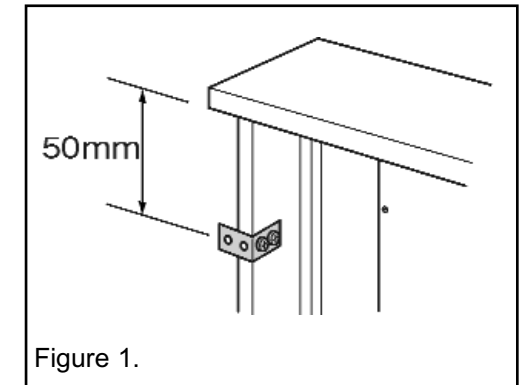
## SECURING BRACKETS ADDENDUM

This addendum is for use with the **Durham, Adelaide** and **Mersey** suite. It must be read in conjunction with the installer and owner guide supplied with the suite.

The section headed 'Securing the suite' must be replaced with the following:

### Securing the Suite.

- Place the wall fixing brackets 50mm from the top inside edge of the legs as shown in figure 1. Secure in place using four 15mm screws supplied.



- Position the suite in place. Mark the positions of the bracket holes on the wall. Move the assembly aside and drill suitable sized holes. Insert the wall plugs. Position the suite in place and secure using two 35mm wood screws supplied.

*Note: The wall plugs are only suitable for brick or block walls. For timber framed walls covered in plaster board we recommend the use of heavy duty cavity fixings.*

**BAXI ● VALOR ● WONDERFIRE**

© Baxi Heating U.K. Limited 2010.

**BAXI ● VALOR ● WONDERFIRE**

© Baxi Heating U.K. Limited 2010.