

LPG CONVERSION KIT INSTRUCTIONS

AFK 18 XLP LPG (Propane) Conversion kit.

This is NOT a DIY kit. Conversion must only be undertaken by a GAS SAFE REGISTER engineer (CORGI or GAS SAFE REGISTER outside of the UK).

This conversion kit converts from Natural Gas (G20) at 20mbar to Propane (G31) at 37mbar ONLY.

The kit is for use only with the following models:

AF18XL - 9500360

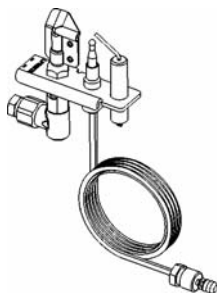

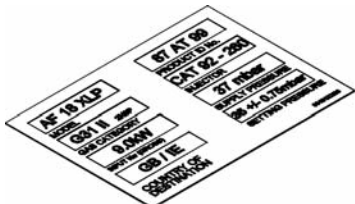
AC18XL - 9500361

The kit is for use in the United Kingdom (GB) and Northern Ireland (IE) ONLY.

These instructions are to be read in conjunction with the installer and owner guide supplied with the fire.

WARNING: FAILURE TO FOLLOW THESE INSTRUCTIONS MAY RESULT IN IMPROPER PERFORMANCE OF THE FIRE. NO RESPONSIBILITY WILL BE ACCEPTED FOR INCORRECTLY CONVERTED FIRES.

Contents:

Description	Spares Number	Qty.	Reference	Picture (Not to scale)
Pilot burner assembly	9740030	1	OP9226	
Injector	9730007	1	(Injector stamped 260)	
Data label	9840122	1		

Important:

Always turn off the gas supply and allow the fire to cool completely before commencing any parts replacement or servicing (The inlet 'T' connector for this appliance incorporates an isolating valve).

In GB / IE National regulations prohibit the installation of LPG (Propane) appliances in any room which is entirely below ground level.

Propane is heavier than air and as such poses a far greater safety risk in the event of gas leakage.

Sequence of work

TIP: The LPG version of the AF18 has a slightly lower gas input rating than the Natural gas version. Before commencing work it is advisable to conduct a spillage test in accordance with installer and owner guide to ensure fire is operating correctly.

- 1) Isolate the appliance from existing gas supply and disconnect at inlet 'T' connector.
- 2) Remove all loose ceramic coals, burner matrix, and front coal pieces. Note - The front coal piece(s) must be handled with extreme care. Place ceramics safely aside.
- 3) Remove the retaining screw at the front of the burner and remove the burner from the fireplace.
- 4) Remove the injector by undoing the union nut between the manifold pipe and injector. Remove the pipe from the injector and unscrew the injector from the retaining bracket – see figure 1.
- 5) Remove the aeration control. This is best achieved in the following manner;
 - a) Unscrew and remove the spherical control knob at the front of the fire.
 - b) Undo the retaining nut and washer on the end of the control rod – see figure 2.
 - c) Withdraw the aeration shutter through the injector support bracket - also shown in figure 2.
- 6) Fit the LPG injector into the support bracket and re-connect manifold pipe. **Do not fit the air shutter assembly.**
IMPORTANT: Ensure that the injector is aligned centrally and squarely with the venturi opening. If it isn't, adjust the position of injector support bracket by loosening the bracket retaining screws. Re-tighten when the required alignment is achieved. Take care not to misalign the injector when re-tightening the gas union.

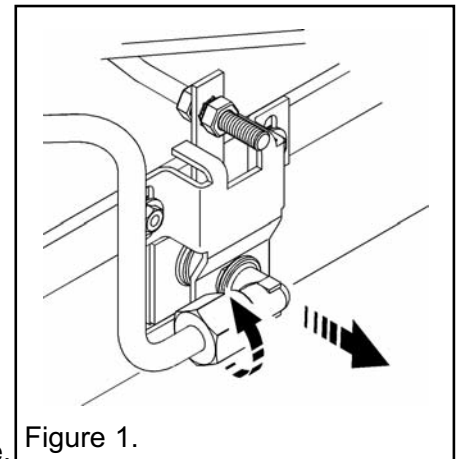


Figure 1.

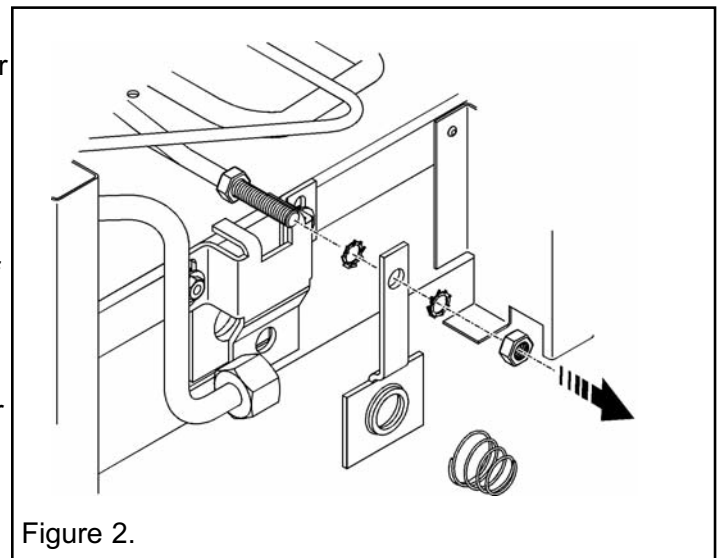


Figure 2.

- 7) Remove the pilot unit. This is best achieved in the following manner;
 - a) Remove the electrode lead from pilot unit.
 - b) Disconnect the thermocouple from the rear of the gas valve.
 - c) Undo the gas union between the pilot feed pipe and the pilot unit.
 - d) Remove the feed pipe from the pilot unit (see figure 3).
 - e) Unscrew and remove the pilot unit from the retaining bracket and place the lint guard aside.

- 8) Remove the replacement LPG data-badge from its protective backing and carefully position it over the existing data-badge.
- 9) Fit the new LPG pilot unit. Fitting is opposite of removal as detailed in point 7. Make sure that the thermocouple lead is screwed tightly into the rear of the gas tap to ensure good electrical contact, but do not over-tighten! Remember to re-fit lint guard.
- 10) Check the tightness of all gas unions, especially the Injector / manifold pipe and the pilot / pilot feed pipe.
- 11) Re-connect the fire to gas supply and commission the propane supply to the appliance.
- 12) Check that all gas connections are sound, using leak detection fluid.
- 13) Re-install the ceramic components in accordance with Installation guide supplied with the ceramics. These should have been attached to or placed inside the installer and owner guide supplied with the fire.
- 14) Check the setting pressure. Refer to the installer and owner guide supplied with the fire for details.
- 15) Conduct a spillage test in accordance with the installer and owner guide supplied with the fire.

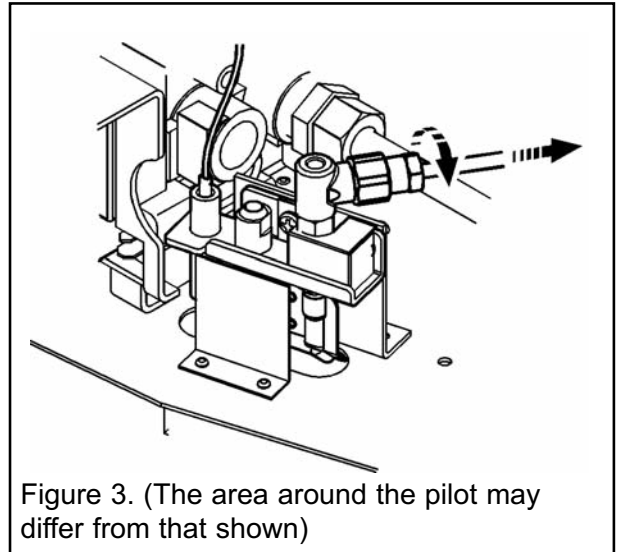


Figure 3. (The area around the pilot may differ from that shown)

The Conversion is now complete.

- Advise the customer that the operation (ignition / high / low / off) of the fire is identical to Natural gas version.
- Be sure to mention that aeration (coke / coal lever) control is not necessary on LPG versions due to the 'yellow flamed' nature of the gas.

Important: Always ensure gas soundness, sealing, spillage test and performance are satisfactory in accordance with installer guide supplied with the fire and with current regulations.



© Baxi Heating U.K. Limited 2009.

All rights reserved. No part of this publication may be reproduced in any material form (including photocopying), stored in any medium by electronic means (including in any retrieval system or database) or transmitted, in any form or by any means, whether electronic, mechanical, recording or otherwise, without the prior written permission of the copyright owner.

Applications for the copyright owner's permission to reproduce any part of this publication should be made, giving details of the proposed use, to the following address: The Company Secretary, Baxi Heating UK Limited, The Wyvern Business Park, Stanier Way, Derby, DE21 6BF.

Warning: Any person who does any unauthorised act in relation to a copyright work may be liable to criminal prosecution and civil claims for damages.

Wonderfire Premier, Wood Lane, Erdington, Birmingham B24 9QP
www.wonderfire.co.uk

Because our policy is one of constant development and improvement, details may vary slightly from those given in this publication.

© Baxi Heating U.K. Limited 2009.