

INSTALLER GUIDE

LPG (PROPANE) CONVERSION KIT 0595241.

Contents: -

Description	Spares Number	Quantity	Reference
Pilot burner assembly	5112510	1	SU - 020
Injector alignment gauge	5113310	1	
Burner assembly	5109353	1	
Injector and carrier assembly	5108558	1	(Injector stamped 132)
Data plate label	5108443	1	

Always turn off the gas supply and allow the appliance to cool completely before commencing any servicing. (The inlet 'T' connector for this appliance incorporates an isolating valve).

Installing the kit

Pilot.

Replace the natural gas pilot with the LPG pilot. For instructions, please refer to the 'Servicing and parts replacement' section of the installer guide supplied with the appliance.

Burner.

Screw the LPG injector and carrier assembly into the LPG burner. Replace the natural gas burner with the LPG burner. For instructions, please refer to the 'Servicing and parts replacement' section of the installer guide supplied with the appliance.

The kit contains an injector alignment gauge. It is important that this gauge is used to ensure that the injector is correctly aligned with the burner. Failure to check may result in poor combustion. After fitting the LPG burner place the gauge into the cut out at the side of the burner tray. The slot in the gauge should surround the injector as in figure 1. If the gauge will not fit, the injector alignment will require correction. To do this, support the top of the injector and gently rotate it. Continue to rotate and check with the gauge until correct.

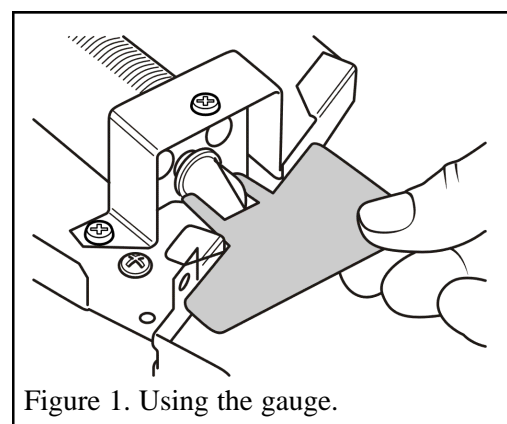


Figure 1. Using the gauge.

Data label.

The data plate is located below the burner. The data label supplied in the kit must cover the relevant / similar information only. Peel off the backing on the LPG data label supplied in pack 'A'. Place this on top of the relevant area of the data plate.

Important: Always ensure gas soundness, sealing, spillage test and performance are satisfactory in accordance with installer guide supplied with the appliance and with current regulations.