

# INSTALLER GUIDE

## LPG (PROPANE) CONVERSION KIT 05754M1.

About this kit.

This conversion kit is for use with the model 754, 755 and 958 'Fascination' only. Other models in the 754, 755 and 958 range of product are **NOT** to be converted to LPG. It is unsafe to do so.

Contents: -

Description	Spares Number	Quantity	Reference
Pilot injector	5113764	1	Copreci RBM 180 -02 (Stamped 225)
Injector alignment gauge	5114027	1	
Injector and carrier assembly	5114029	1	(Injector stamped 110)
Aeration shutter	5109806	1	
Data plate label	5114030	1	

**Always turn off the gas supply and allow the appliance to cool completely before commencing any servicing. (The inlet 'T' connector for this appliance incorporates an isolating valve).**

### Installing the kit

**Pilot injector.** See figure 1.

You may note that the installer guide supplied with the gas fire states that the pilot must be replaced as a whole assembly and that its individual components are not separately replaceable. When fitting this conversion kit this can be ignored.

1. Support the pilot injector. Unscrew and remove the pilot pipe from the pilot assembly.
2. Support the pilot body. Unscrew and remove the pilot injector.
3. Fit the LPG pilot injector.
4. Re-connect the pilot pipe.

**Aeration shutter.**

1. Remove the burner. For instructions, please refer to the 'Servicing and parts replacement' section of the installer guide supplied with the appliance.
2. Unscrew the natural gas injector.
3. Remove the shutter plate and from the end of the burner. To do this remove the lower two screws (See figure 2).

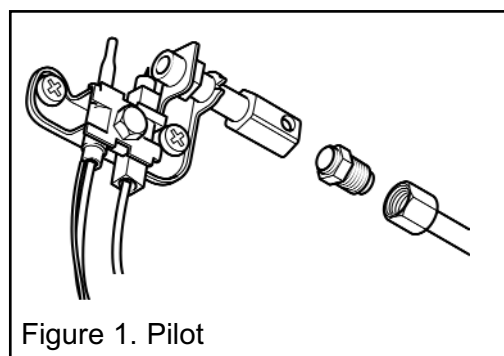


Figure 1. Pilot

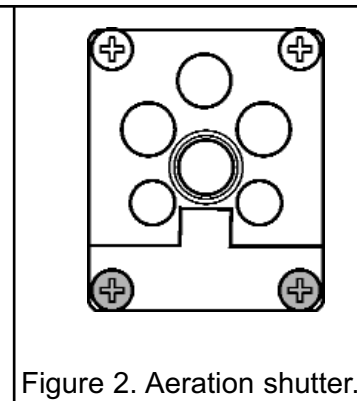


Figure 2. Aeration shutter.

4. A replacement aeration shutter is supplied. Remove this from the pack and locate to the burner using the two screws removed previously (See figure 3).

### Injector

1. Replace the natural gas injector with the LPG injector.  
2. The kit contains an injector alignment gauge. It is important that this gauge is used to ensure that the injector is correctly aligned with the burner. Failure to check may result in poor combustion. After re-fitting the burner place the gauge into the cut out at the side of the burner tray. The slot in the gauge should surround the injector as in figure 4. If the gauge will not fit, the injector alignment will require correction. To do this, support the top of the injector and gently rotate it. Continue to rotate and check with the gauge until correct.

### Data label

1. The data plate is located below the burner. The data label supplied in the kit must cover the relevant / similar information only. Peel off the backing on the LPG data label supplied. Place this on top of the relevant area of the data plate.

**Important: Always ensure gas soundness, sealing, spillage test and performance are satisfactory in accordance with installer guide supplied with the appliance and with current regulations.**

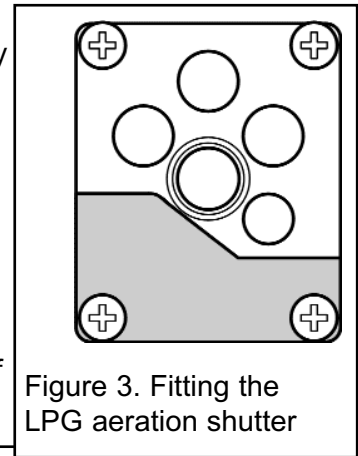


Figure 3. Fitting the LPG aeration shutter

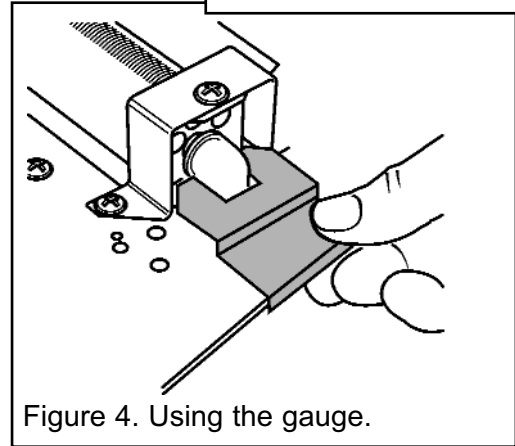


Figure 4. Using the gauge.