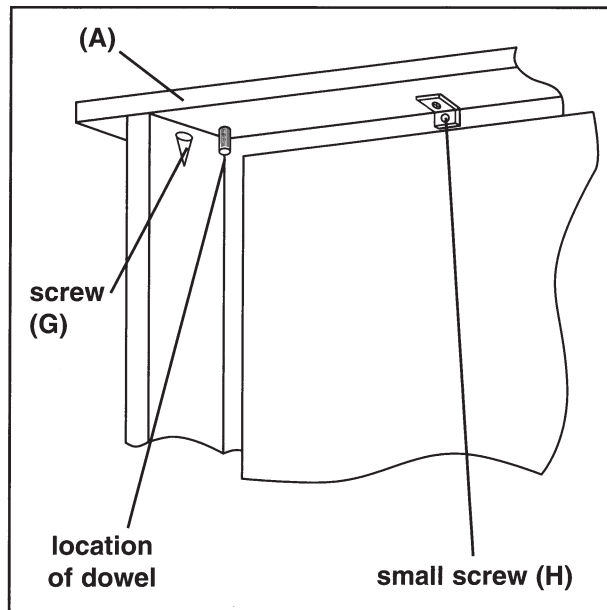


CONSTRUCTION AND INSTALLATION (CONTD)

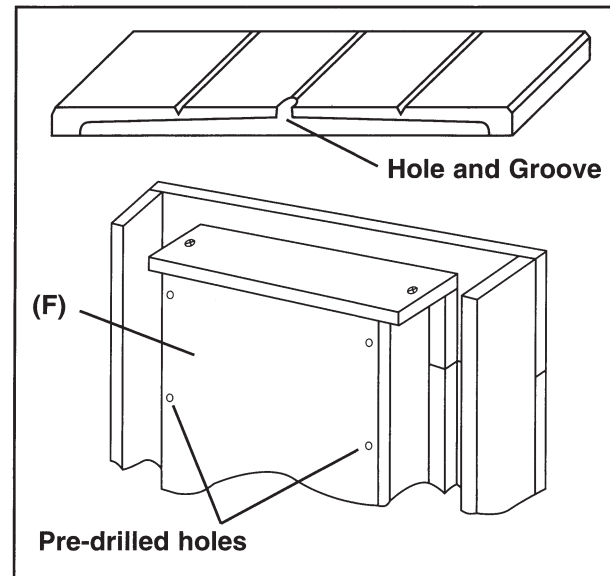
STEP 5

Place Mantle (A), with dowels and bracket already attached, onto the top of the Leg/Fascia Assembly (B, C) with the lower (chamfered) side facing downwards. Locate the dowels (K) into the inner corners of the Leg Assemblies (B). Ensure that the back, outside edges of Leg Assemblies (B) are flush with the back edge of the Mantle (A). Attach using two screws (G) through the pre-drilled holes in Legs (B) and one screw (H) through the centre L Bracket (L).



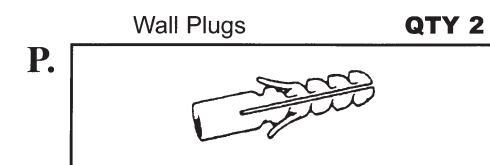
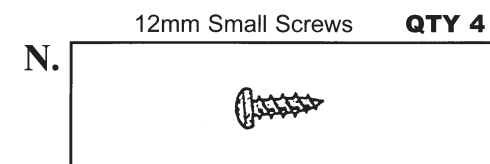
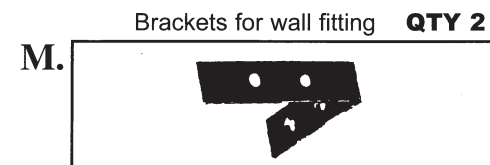
STEP 6

Place the electric stove or heater onto the Hearth (E) and move it towards the back, directing the cable through the hole in the centre back of Hearth (E), and along the groove in the back edge of the Hearth in the required direction. Place the Back panel (F), with the patterned side facing forward, on the back edge of Hearth (E), sliding the top edge under the Top Rail (D). Align the sides flush with the inside edges of the legs and attach using six screws (J) through the pre-drilled holes.



COMPONENTS PARTS 2

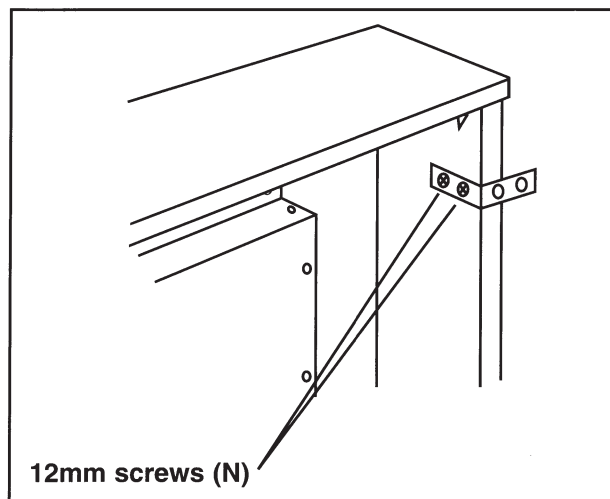
Additional fittings for installation to wall.



Technical Help Line
Tel: 08706 061065.

STEP 7

Attach the wall brackets (M) about 50mm beneath the Mantle at each side as shown in the diagram below using 12mm small screws (N), taking care not to split the panel when driving in the screws. Position, mark and drill a suitably sized hole for each bracket, and secure to the wall using Wall Plugs (P) and two screws (G). Wall Plugs (P) are suitable for fixing to a brick or block wall only.



The Stove Suite

ASSEMBLY AND FITTING
INSTRUCTIONS

Baxi Fires Division
Wood Lane, Erdington,
Birmingham, B24 9QP

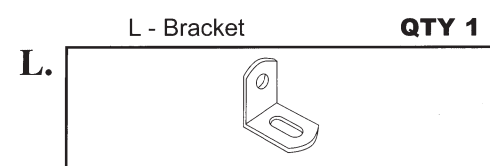
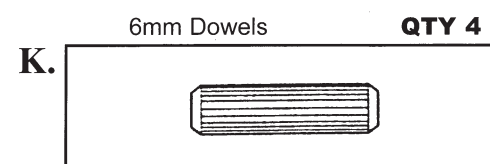
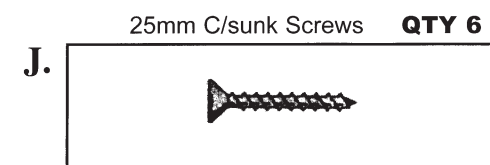
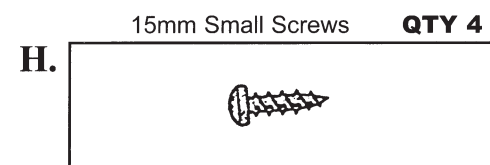
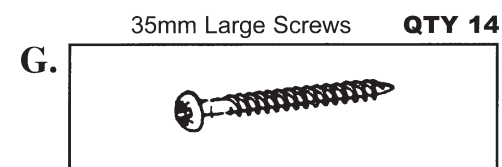
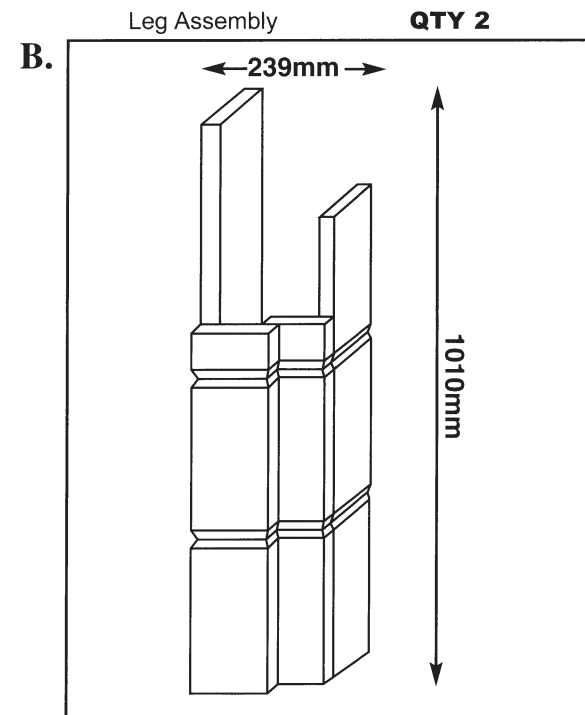
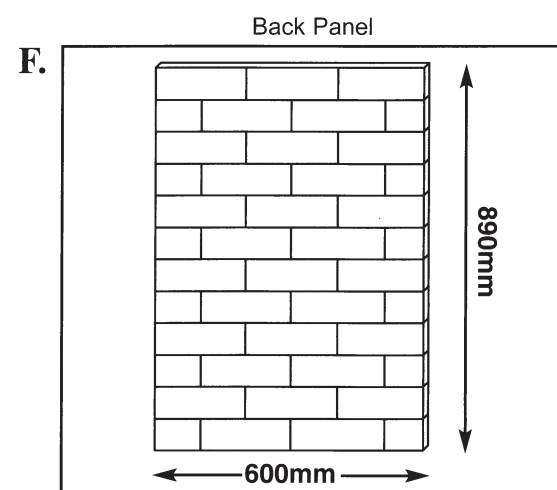
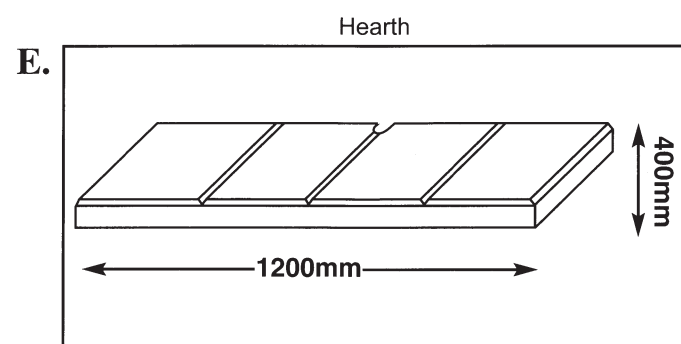
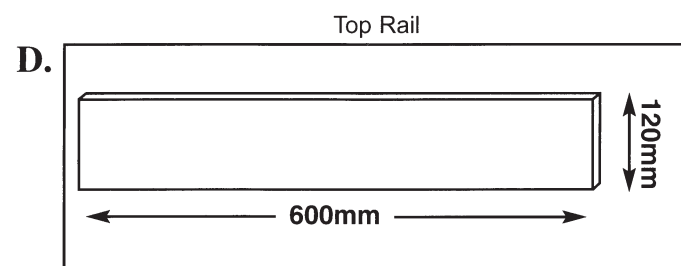
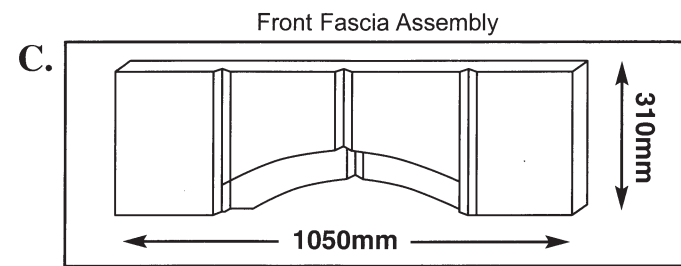
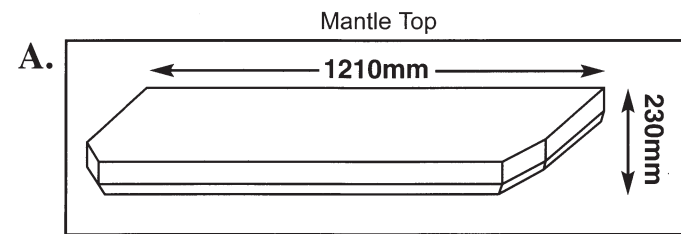
Technical Help Line
08706 061065

www.firesandstoves.com

PLEASE READ CAREFULLY BEFORE PROCEEDING TO INSTALL

COMPONENTS AND DRAWINGS

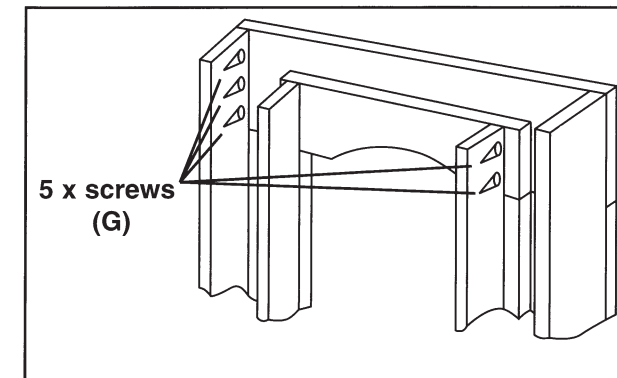
COMPONENTS PARTS 1



CONSTRUCTION AND INSTALLATION

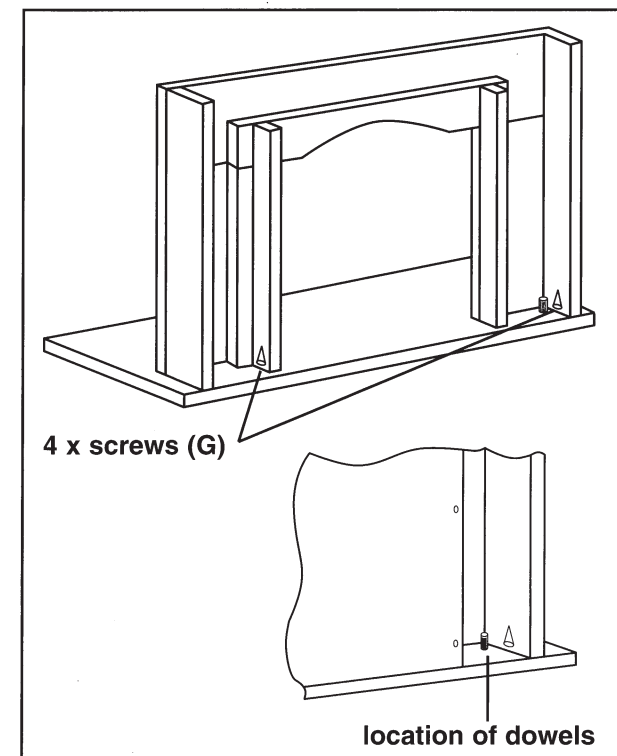
STEP 1

Place the Front Fascia Assembly (C) onto a flat, clean surface, with the inside facing upwards. Take one Leg Assembly (B) and attach to Fascia (C), face down, using five screws (G) through the pre-drilled holes in Leg Assembly (B) into the pilot holes in the Fascia (C). Two of these screws (G) are already in place. REPEAT for the other Leg Assembly.



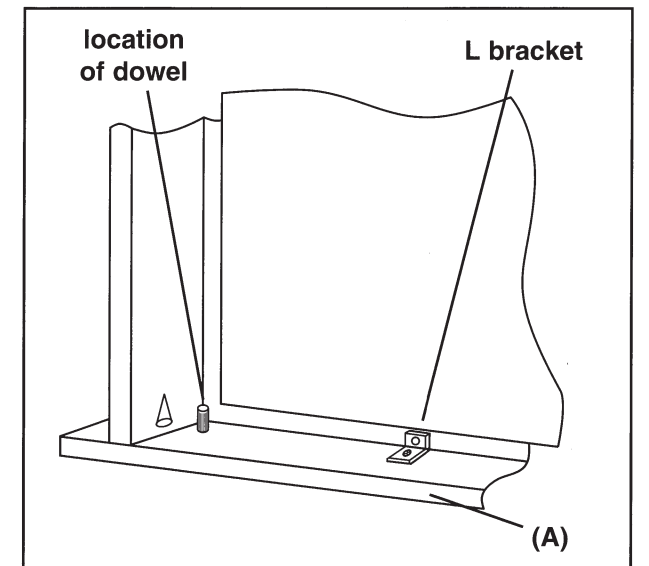
STEP 3

Lay Hearth (E) onto the floor, with the finished face upwards, and insert two wooden dowels (K) into the pre-drilled holes in (E). Stand Leg/Fascia Assembly (B, C) upright, and place onto the Hearth (E), locating the wooden dowels into the inside corners of the Leg Assemblies (B). Make sure that the outside edges of Legs (B) are flush with the back edge of Hearth (E). Attach the Assembly (B, C) to the Hearth (E) using four screws (G) through the pre-drilled holes inside the Leg Assemblies (B) into Hearth (E).



STEP 2

Place Mantle (A) onto a flat, clean surface, with the lower (chamfered) side facing upwards. Insert two wooden dowels (K) into the pre-drilled holes on the underside. Place Leg/Fascia Assembly (B, C) upright and upside down onto the Mantle (A) locating the dowels (K) into the inner corners of the Leg Assemblies (B). Ensure that the back, outside edges of Leg Assemblies (B) are flush with the back edge of the Mantle (A). Attach L bracket (L) to the underside centre of Mantle (A) using one small screw (H). At this stage do not attach the Mantle (A) to the Leg/Fascia Assembly (B, C).



STEP 4

Lay the Top Rail (D) onto the top middle of the Leg Assemblies (B) and right against the back of Fascia (C) with coated surface facing down. Align and attach using two screws (H) positioned centrally on the left and right edges.

