

# Operating & Installation Manual

---

## The British Gas / Scottish Gas Range of Gas Stoves



**(Beacon)**

Beacon G.C. No. 32 075 36  
Firemore G.C. No. 32 075 37

PLEASE RETAIN THESE INSTRUCTIONS FOR FUTURE REFERENCE

---

British Gas,  
Southwood East,  
Apollo Rise,  
Farnborough,  
Hampshire,  
GU14 0JW

Tel. (44) 0845 960 5040



FOR USE IN COUNTRIES  
GB & IE

Rev 9

---

*Congratulations on your choice of a British Gas Fire.*

*More than 20 years experience has been put into the development of your British Gas Stove to ensure ultimate performance and years of trouble free enjoyment.*

*Should you have any questions about our Gas Stoves that are not covered in this manual, please contact the British Gas dealer in your area, or call our Technical support department on 0845 960 5040.*

*The Heat Starts Here!!*

**© COPYRIGHT**

British Gas

This booklet has copyright & may not be copied in whole or part used for any purpose other than that for which it is supplied without express written consent.

E & OE.

## CONTENTS

---

<b>INTRODUCTION</b>	<b>Page</b>	<b>SERVICING</b>	<b>Page</b>
Safety Notices	4	Detail of Pilot Assembly	17
General Information	4	Door Trim and Fire Glass Fitting & Removal	18
<b>OPERATING INSTRUCTIONS</b>		Component Replacement	19
Important Notices	5	Replacement of the Door Seal	19
Statutory Requirements	5	Regular Service	19
Certification	5	Annual Service	20
Technical Data	6	Cleaning Outer Services	20
Fire Dimensions	6	Cleaning Door Glass	20
Fitting The Reflective Panels	6	Fault Diagnosis	21
Arranging The Coals	7	<b>SPARE PARTS</b>	
Lighting & Controlling The Fire	8/9	General Components	22
<b>INSTALLATION</b>		Accessories and Options	22
Installing The Fire	10	Spare Parts List	23-26
Flue System	10/11	<b>SERVICE RECORD</b>	
Fire Location	12	Service Record	27
Combustible Shelf Clearances	13	Final Factory Checklist	28
Hearth Requirements	14		
Connecting The Gas Supply	14		
Pressure Test Sequence	14		
Fire Testing	15		
Final Installation Check List	16		

# INTRODUCTION

---

References in this manual to British Standards and Statutory Regulations and Requirements apply only to the United Kingdom. For Ireland the rules in force must be used.

Before installation, check that the local distribution conditions, nature of the gas, pressure and the adjustment of the appliance are compatible.

The manual is an important part of the appliance and must by law be handed to the end user on completion of the installation.

## SAFETY NOTICES

- # Do not attempt to burn rubbish or any other material in this appliance.
- # This fire must only be operated with the fire door shut and secured.
- # Do not use the appliance if the fire door is cracked or broken.
- # Do not make any unauthorized modifications to the appliance.
- # It is recommended that the fire be guarded to protect the young and infirm using a fireguard complying with BS8423 (2002).
- # **Coal set** -The coal set contains Refractory Ceramic Fibres (R.C.F), which are man made vitreous silicate fibres. Excessive exposure to these materials may cause temporary irritation to the eyes, skin and respiratory tract. Care must be taken when handling these items to ensure the release of dust particles is kept to a minimum. To ensure that the release of fibre from these items is kept to a minimum, during installation and servicing it is recommended that a vacuum cleaner fitted with H.E.P.A. filters is used to remove any dust, soot or any other debris accumulated in and around the appliance. This should be performed before and after the installation. It is recommended that any replacement item(s) are not broken up but sealed within a heavy duty polythene bag and clearly labeled "R.C.F. waste". This is not classified as "hazardous waste" and may be disposed of at a tipping site licensed for the disposal of industrial waste. Protective clothing is not required when handling these items but it is recommended that gloves are worn and

normal hygiene rules are followed.

Always wash your hands before eating or drinking.

- # In the event of a gas emergency, consult the telephone directory and ask for your local gas supplier.
- 

## GENERAL INFORMATION

All materials, appliances and equipment used

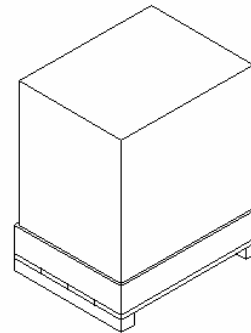


Fig 1

Palletized cardboard carton.  
440mm x 560mm x 620mm high

Beacon Packed wt. 45Kg  
Firemore Packed wt. 56Kg

should be fit for their purpose, be of suitable quality and workmanship and should comply with the applicable British Standards.

Before continuing any further with the installation of this appliance please read the following guide to manual handling.

- # Always obtain assistance when lifting the appliance.
- # When lifting always keep your back straight. Bend your legs not your back.
- # Avoid twisting at the waist. It is better to reposition your feet.
- # Avoid upper body/top heavy bending. Do not lean forwards or sideways when handling the fire.
- # Always grip with the palms of your hands. Do not use fingertips for support.
- # Always keep the stove as close to the body as possible. This will minimise the cantilever action.
- # Use gloves to provide additional grip.

## IMPORTANT NOTICES

A qualified gas engineer must carry out the installation and servicing of this appliance in accordance with these instructions and in compliance with current Building Regulations. ***Such person must be a registered CORGI engineer.***

This appliance is designed to run on natural gas only. **Warning - Only use the appliance with the specified gas.**

The fire is fitted with a safety device to shut down the appliance if there is inadequate flue draw. If the fire shuts down for no apparent reason check chimney and air inlets to the room. In all cases the fire must not be re-lit until the safety aspects have been checked by a qualified gas engineer.

### ***Please note the following:***

- # The safety device **must never be put** out of action.
- # Sealed components must not be interfered with.
- # Servicing instructions and part identification numbers are given towards the back of the manual.
- # Only use genuine parts for replacements.
- # Ventilation, purpose built ventilation is not normally required for either appliance, normal adventitious room ventilation being sufficient.
- # Coal Set see safety notices on page 4.

***All surfaces except the control knob, the control door handle and control door are considered to be working surfaces.***

**Warning: Under no circumstances must the fire be operated with the door open or if the glass is cracked or broken.**

**Warning: If it is known or suspected that an operational or ignition fault exists on the appliance, it must not be used until it has been investigated and corrected by a qualified gas engineer.**

***Warning: THIS GAS APPLIANCE MUST BE SERVICED EVERY TWELVE MONTHS BY A QUALIFIED GAS ENGINEER.***

## STATUTORY REQUIREMENTS

The current Gas Safety (Installation and Use) Regulations (as amended).

The Building Regulations for England and Wales 2000 ref Approved Document J 2002 edition (issued by the DTLR).

The Building Standards (Scotland) (Consolidation) Regulations.

Detailed recommendations are outlined in the current issue of the following British Standards:- BS5440 parts 1 and 2, BS5871 part 1, BS6891.

***Any Manufacturer's Instructions must not be taken as overriding statutory requirements.***

---

## CERTIFICATION

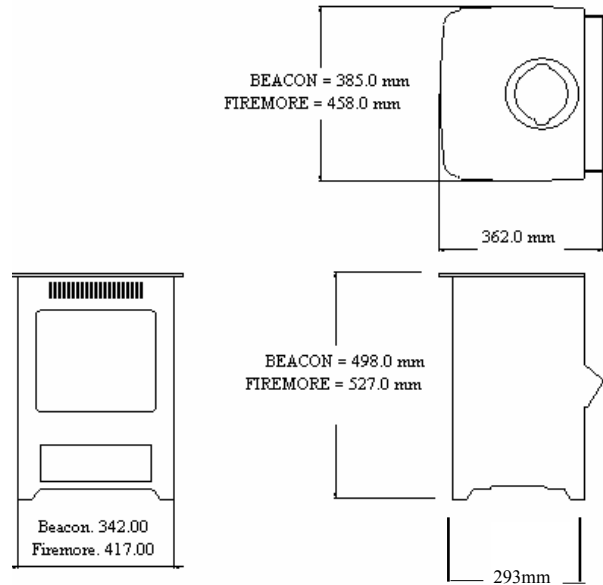
This appliance is CE certificated for performance and safety. Therefore, it is important that no alteration is made to the appliance.

Any alteration not approved by **the manufacturer will invalidate the guarantee.**

# OPERATING INSTRUCTIONS

<b>TECHNICAL DATA</b> Category I <sub>2H</sub> For use in GB and IE at a supply pressure of 20mbar		
	<b>Beacon Natural Gas</b>	<b>Firemore Natural Gas</b>
Main Burner	Aeromatic AC13/112511 (mod 263)	Aeromatic AC13/112511 (mod 263)
Injector	Bray 82-700	Bray 82-700
<b>Max. Heat Setting</b>		
Heat Input (net)	3.3 kW	4.2 kW
Heat Output (net)	2.2 kW	2.8 kW
Gas Rate	0.349 m <sup>3</sup> /hour	0.444 m <sup>3</sup> /hour
Cold Setting Pressure	1.5mb	3.5mb
<b>Min. Heat Setting</b>		
Heat Input (net)	2.0 kW	2.6 kW
Heat Output (net)	1.4 kW	1.8 kW
Gas Rate	0.211 m <sup>3</sup> /hour	0.275 m <sup>3</sup> /hour
NO <sub>x</sub> CLASS	CLASS 4	CLASS 4

## FIRE DIMENSIONS



## FITTING THE REFLECTIVE PANELS

**Beacon.** The panels are already installed.

**Firemore.** The reflective panels supplied are to be installed into the fire before the coal matrix is fitted. The panels are hung on the lugs located inside the top of the firebox on either side; the panel simply hooks over the lug. The panels should be angled in line with the bracket, so that the rear of the panels are pointing towards the centre of the fire.

Once the reflective panels are fitted, arrange the coals. See “Arranging the coals”

## ARRANGING THE COALS

**Safety Notice - Please see SAFETY NOTICES ref. Coal set page 4.**

**Warning: The coals and the coal matrices are fragile and may break with misuse.**

**Ensure location is correct. Do not force the matrix into position. If the coals and/or the coal matrices are damaged they must be replaced with genuine replacement sets.**

**Warning: An incorrect coal layout may cause soot to build up inside the fire and therefore invalidate the guarantee.**

*Step 1* Place the base matrix on the matrix plate centrally between the end tabs of the location bar. (Fig 3a)



**Fig 3a**

*Step 2* Place the rear matrix cut out section over the base matrix and centralise the assembly between the end tabs of the location bar. Ensure the rear matrix is pushed back against the location bar. (Fig 3b)



**Fig 3b**

*Step 3* Locate 2 off end coals each side of the base matrix. (See underside of coals for hand identification) (Fig 3c)



**Fig 3c**

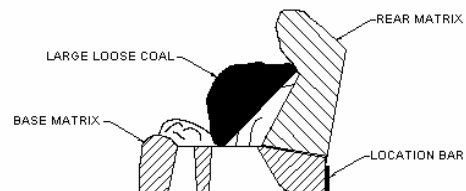


Fig 3d Cross Section Assembly

*Step 4.* Place 3 large coals vertical between the central cut outs of the base matrix and then lean the coals back to rest on rear matrix. (Fig 3d and 3e)



**Fig 3e**

*Step 5.* Firemore only; Place the 2 small coals each end of the 3 large coals. (Fig3f)



**Fig 3f**

# OPERATING INSTRUCTIONS

## LIGHTING & CONTROLLING THE FIRE

**Under no circumstance must the fire be operated with the fire-door open or if the glass is cracked or broken.**

Open the gas control access door situated at the bottom of the appliance.

*Step 1a.* To ignite the pilot push the control knob in, turn anti-clockwise towards the spark position and hold in for 15 seconds. (Fig 4a)

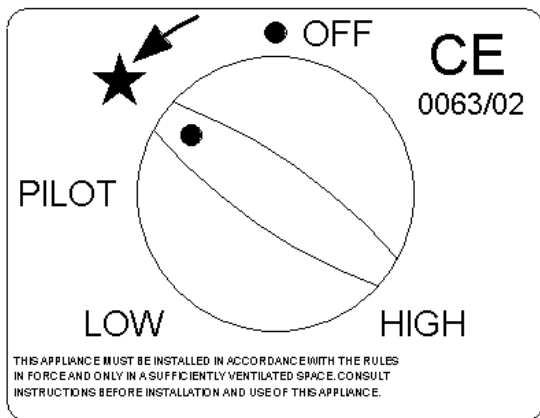


Fig 4a

*Step 1b.* Keep the control knob pressed in and turn anti-clockwise to the pilot position. (Fig 4b)

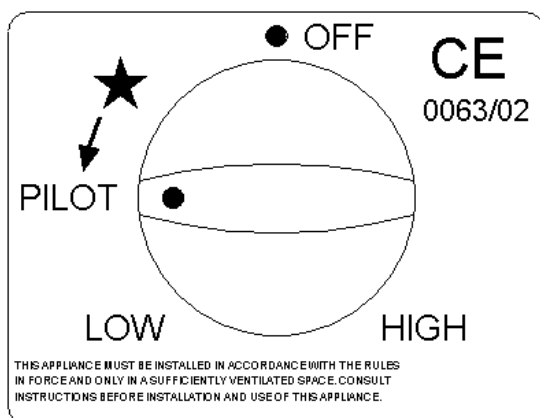


Fig 4b

*Step 1c.* Keep the control knob pressed in for a further 15 seconds and then release. The pilot will remain alight.

If pilot does not remain alight repeat this procedure.

Please note that when purging the gas supply it is usual to have to keep the control knob depressed in the spark position for longer periods of time.

*Step 2.* To ignite the main burner, rotate the control knob anti-clockwise to the **HIGH** position (fig 4c)

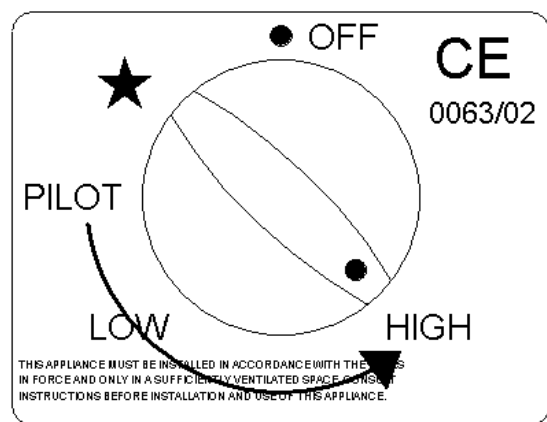


Fig 4c

For maximum heat output leave the control knob at the high position

For minimum heat output, rotate the control knob clockwise to the **LOW** position. (Fig 4d)



## OPERATING INSTRUCTIONS

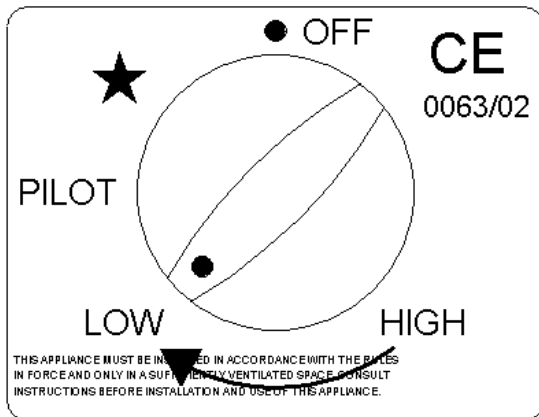


Fig 4d

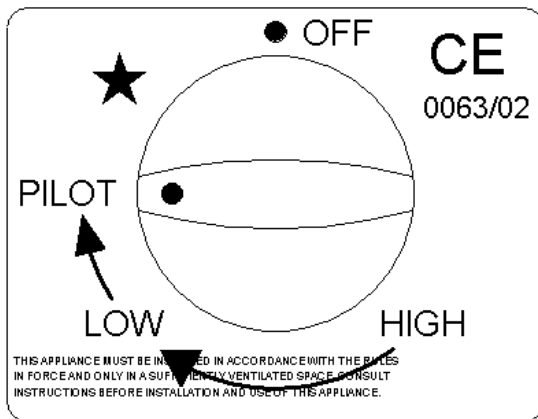


Fig 4e

*Step 3.* To turn the main burner off while keeping the pilot alight, rotate the operating knob back to the **PILOT** position. (Fig 4e)

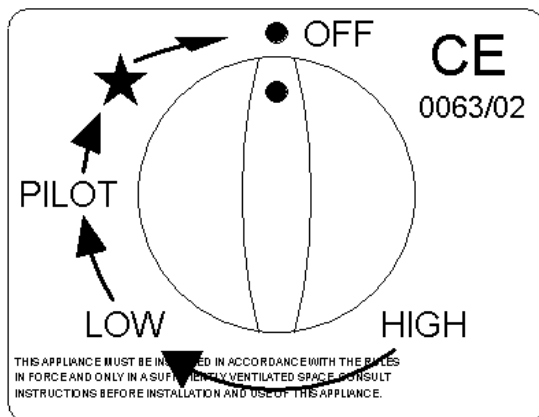


Fig 4f

*Step 4.* To extinguish the pilot, turn the control knob to the **OFF** position. (Fig 4f)

Incorporated into the pilot assembly is a flame failure device designed to shut off the gas supply in the event of the pilot flame being extinguished while the fire is unattended.

Should the pilot flame blow out accidentally or intentionally whilst the fire is running, **no attempt should be made to re-light the gas for at least three minutes.**

To restart the fire turn the control knob to the off position and repeat the lighting & controlling the fire instructions.

The flame failure device is a safety feature required by law and must not be put out of action by the installer. If this device or any of its parts are to be replaced, only original manufacturer's parts are to be used.

Repeated operation of the flame failure device indicates that there may be a problem with the flue draw. In this situation no more attempts at operating the appliance should take place and your qualified gas engineer should be contacted to investigate and rectify the problem.

## INSTALLATION

---

### INSTALLING THE FIRE

Your **CORGI** qualified gas engineer should install the fire in accordance with the following regulations and standards:-

*The Gas Safety (Installation and Use) Regulations 1998 (as amended).*

*The Building Regulations for England and Wales 2000 ref; Approved Document J 2002 edition (issued by the DTLR).*

*The Building Standards (Scotland) (Consolidation) Regulations.*

*BS5440 parts 1 and 2 1990, BS5871 And these Installation Instructions.*

**Warning: Failure to comply with the regulations, requirements, or these instructions will invalidate the guarantee and could have hazardous consequences.**

*Please note that in tight recesses the gas supply point may be inaccessible. Therefore it may be necessary to connect the pipe for the gas supply to the fire before installing the fire into its recess.*

### FLUE SYSTEM

The stove must be connected to a suitable and efficient flue that provides a good updraught to safely take the products of combustion (fumes) from the stove outlet to the outside air. To ensure a good updraught it is important that the flue gases are kept warm and that the flue size suits the stove.

The termination of the outlet at the top of the flue also needs to comply with the Building Regulations. The minimum effective height of the chimney must be at least 3 metres and when warm the flue draught should be between 0.05 and 6mb (0.5mm to 6mm water gauge).

The Beacon requires a minimum flue size of 100mm (4 inches) and the Firemore requires a minimum flue size of 125mm (5 inches). If the stove is being connected to a chimney with an internal flue size greater than 225mm (9 inches) diameter or 200 x 200mm square, a 125mm (5 inches) diameter stainless steel flexible flue liner complying with BS 715 should be installed in the flue.

If a new chimney is being provided it should fully comply with the relevant Building Regulation Requirements and BS 5440: Part 1. Suitable types of chimney include the following.

" Masonry chimney built with clay or concrete liners, or a chimney block system meeting Building Regulations.

" Precast concrete gas flue block complying with BS 1289: Part 1

" Factory made metal chimney complying with BS 715 (often called "Twin wall Class 2 chimney") or Factory made metal insulated chimney complying with BS 4543: Part 2 (often called "Class 1 prefabricated metal chimney"). To ensure the flue gases are kept warm an insulated chimney system should be used if the chimney is positioned outside the building.

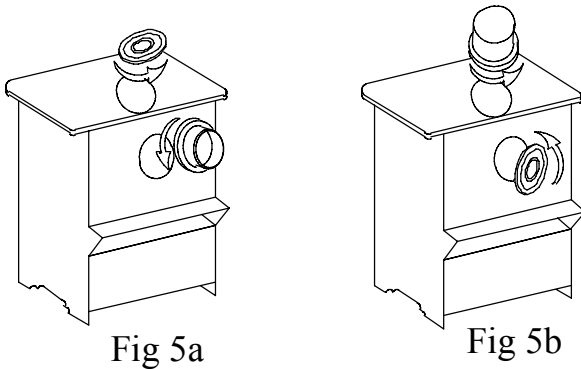
The flue must be terminated with a suitable chimney pot or cowl and the chimney or flue shall be swept prior to installation unless the previous appliance was a gas appliance and the chimney is clean and unobstructed.

The flue and chimney installation must be carefully checked by a competent person before fitting the stove to ensure it is suitable and will work safely. The flue must also pass a Flue flow (smoke test) to BS 5440: Part 1.

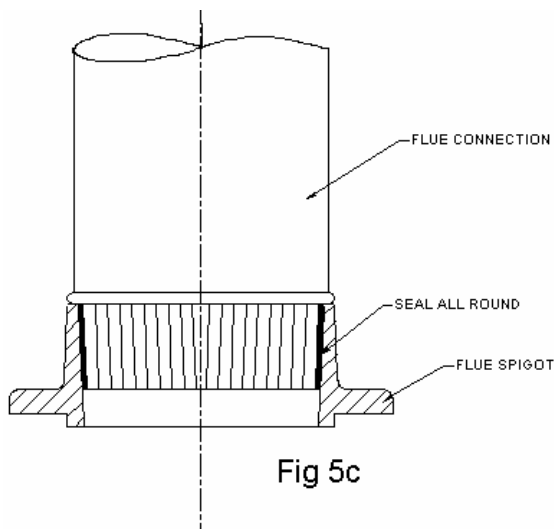
**For advice on flues and chimneys contact;**  
**NACE (National Association of Chimney Engineer): telephone 0800 0924019**  
**[www.nace.org.uk](http://www.nace.org.uk)**  
**or**  
**NACS (National Association of Chimney Sweeps): telephone 01785 811732**  
**[www.chimneyworks.co.uk](http://www.chimneyworks.co.uk)**

The British Gas fire is designed so that the flue can be fitted to either the top or the rear of the appliance.

Fit the flue spigot and blanking plate for either top or rear flue outlet in accordance with figure 5a or 5b (below).



Lock the spigot in place by rotating anti-clockwise and tighten by tapping gently with a block of wood and mallet. Fit the blanking plate to the unused opening in the same way. The units are sealed by the attached gaskets.



## REAR FLUE

### Open Hearth

Fit and seal a 'T' section (with soot box) directly into the flue spigot. The maximum horizontal section allowed is 150mm.

Provide a minimum vertical height of 600mm of flue from the height of the rear flue outlet. See figure 6b.

### Closure Plate

- #Connect the flue spigot to the rear outlet.
  - #Connect a flue extension to the spigot.
  - #Fit the closure plate in fireplace.
  - #Position the fire so the flue extension passes through the hole in the closure plate.
  - #Ensure all joints are suitably sealed.
- See figure 6c.

### Top Flue

Provide a minimum vertical height of 600mm of flue measured from the top of the appliance. See figure 6d.

Move the fire, with flue spigot in place, into position under the flue and seal the spigot/flue connection with fire cement. (Ref fig 5c).

It is recommended that a smoke test is performed inside the fire to ensure that adequate flue draw is evident.

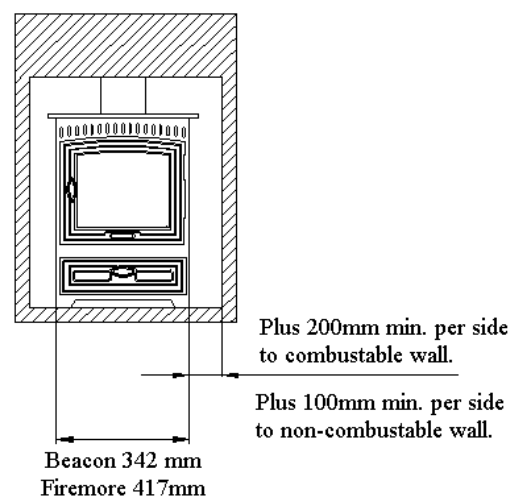


Fig 6a

# INSTALLATION

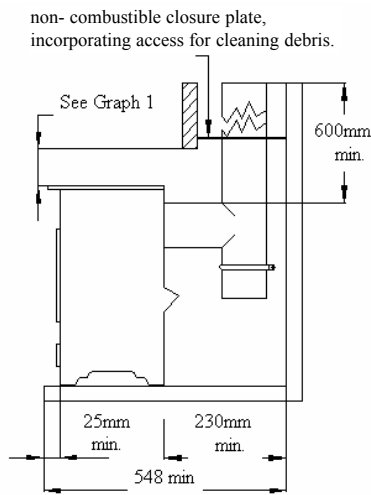


fig 6b.

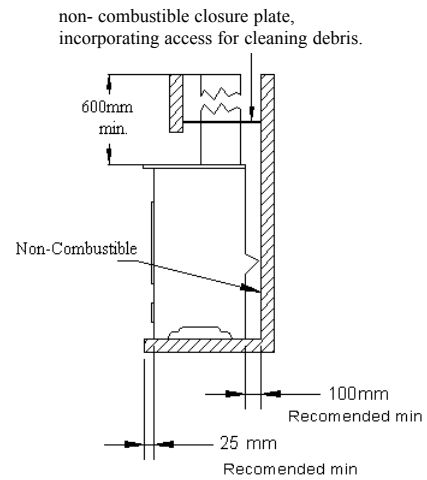


fig 6d.

## FIRE LOCATION

*The appliance must not be installed in a room or space, which contains a bath or shower.*

This fire is designed for use with either top or rear flue outlets and must be mounted on a hearth with a minimum of 12mm non-combustible material thickness.

*There must be a minimum of 200mm clearance from the sides of the fire to any combustible sidewalls. Fig6a.*

*For clearance from the top of the fire to any combustible shelf. Fig 6a. (See Graph 1).*

*There must be a minimum of 230mm from the rear of the fire to any combustible back wall. Fig 6b.*

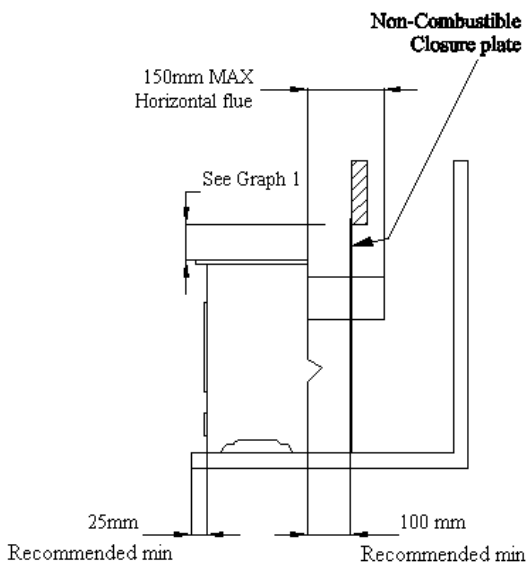


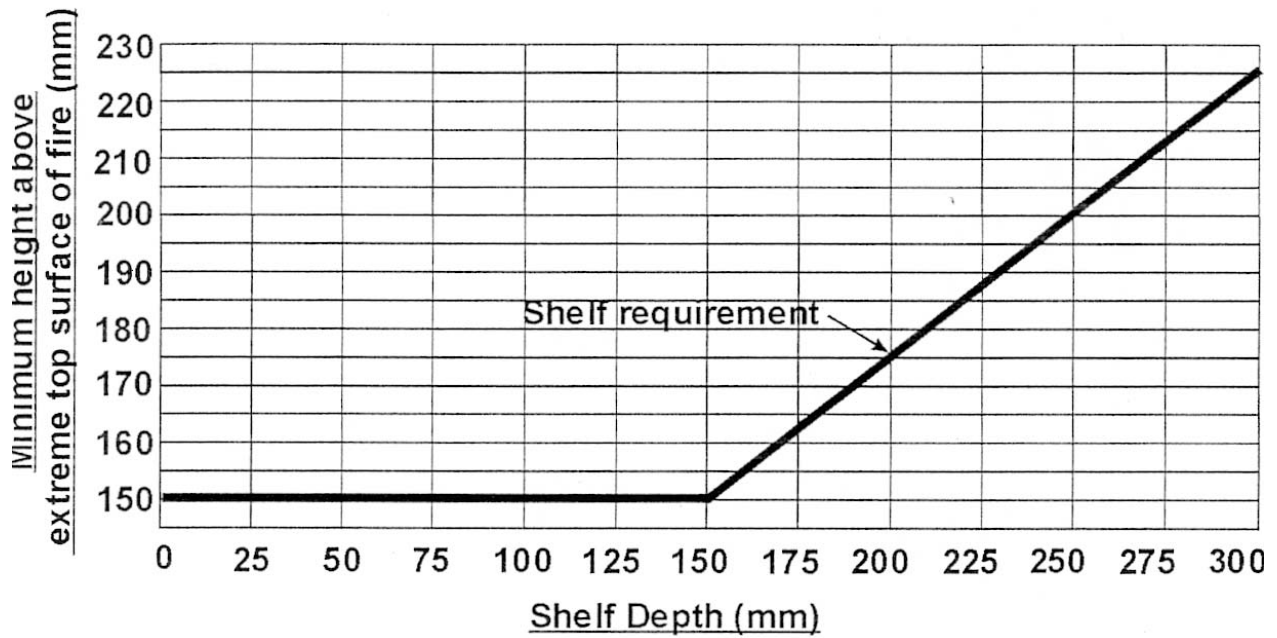
fig. 6c

With a *Non-combustible* back wall the fire can be pushed back until the top diverter touches the wall, although to improve access and air circulation a minimum distance of 100 mm is recommended.

Reference non-combustible side walls a minimum of 100mm is recommended.

Do not place any furniture or furnishings (including curtains) within 1 metre of the fire.

The minimum height from the extreme top surface of the fire to the underside of a shelf or other projection made of wood or any other **combustible material** is shown on graph 1.



**Graph 1. Combustible Shelf Clearances**

The recommended minimum height from the extreme top surface of the fire to the underside of a **non combustible** shelf is 100mm.

## INSTALLATION

---

### HEARTH REQUIREMENTS

To comply with current Building Regulations the fire must stand on a fireproof hearth, which has an upper fireproof layer of 12mm non-combustible material. If the rear of the fire is to be pushed up against a surface it must be of a non-combustible material.

The hearth must protrude at least 25mm in front of the glass window and 150mm either side.

The hearth must not be capable of inadvertent covering by a carpet or rug. This should be achieved by either:

The hearth being 50mm above the level of the room floor. A 50mm high fender or kerb being fixed around the edge of the hearth.

### CONNECTING THE GAS SUPPLY

Once the fire is in place it is then possible to connect the gas supply. The gas supply point is located at the rear of the appliance and should be connected in accordance with the following requirements.

Check that the appliance is suitable for the gas supply; refer to data labels on packaging and/or the fire for gas type. **Note: Natural gas and Propane (LPG) models are not interchangeable.**

The gas installation must be in accordance with the current issue of BS6891. Gas supply pressure at the fire should be 20mbar for natural gas.

*The gas supply should be connected with the 1/4" BSP nut and olive with 8mm tubing.*

A maximum pipe run of 1.5 metres (or 5 feet) should be adhered to and copper tubing may be used **provided a distance of 25mm is maintained between pipe-work and any surface of the fire.**

A gas service cock should be fitted adjacent to the fireplace to enable safe removal of the appliance for servicing. After fitting the supply, operate the gas cock (supplied) and check all joints up to the termination of the supply pipe for gas tightness using a soap/water solution and the pressure drop method.

**To check the pressure to the burner** it is necessary to ignite the appliance and set to 'high rate'.

This is carried out by following instructions on pages 8 and 9.

Cold setting pressures are in the Technical data section on page 6.

The pressure test point is located through the hole in the valve bracket marked 'test point', See fig.7 below.

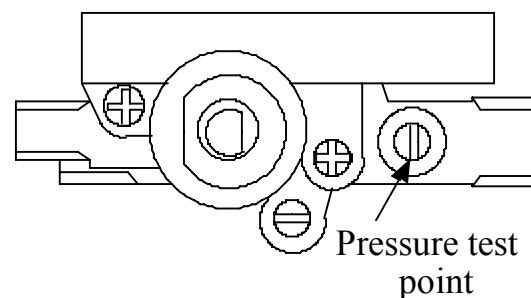


Fig 7

### TEST SEQUENCE

#### ENSURE FIRE IS OFF

1. Open control door.
2. Loosen test point screw.
3. Connect hose of test equipment to test point through the test point hole in bracket. (If necessary open fire door and remove coal set, base matrix plate and heatsheild. Close door on completion)
4. Turn on fire and set flame on high.
5. Take reading.
6. Turn fire off.
7. Remove test equipment hose.
8. Re-tighten test screw (If necessary replace heatsheild, matrix plate and coal set).

## FIRE TESTING

### Flame failure device testing

*Step 1* Ignite the appliance in accordance with page 8 and 9 and run for 60 seconds.

*Step 2* Turn the appliance off to extinguish the pilot, listen for a snap at the control valve. This should occur within 60 seconds of the pilot flame being extinguished. The snap sound will be the magnet disengaging, and thus shutting off the flow of gas to the pilot and burner.

### Spillage Test

A qualified gas engineer should Perform a spillage test as follows:

*Step 1.* Close all doors and windows.

*Step 2.* Light the appliance and set to the high rate.

*Step 3.* Allow the fire to warm up for 10 minutes.

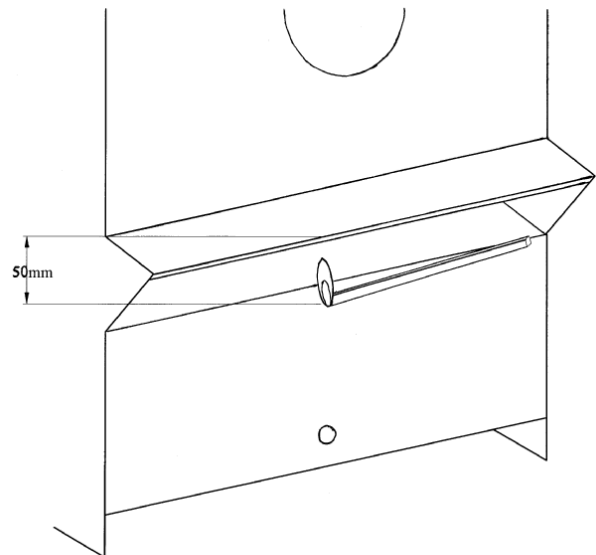
*Step 4.* Position the smoke match at the back of the fire centrally beneath the draught diverter as shown in **fig 8**.

All of the smoke should be drawn into the fire. If this does not occur the appliance must be disconnected and the flue checked.

***Step 5.* If there is an extractor fan in any room, this must be turned on and any doors between it and the fire left open, repeat the spillage test.**

Repeated operation of the spillage monitoring system indicates that there may be a flue draw problem. In this situation no more attempts at operating the appliance should take place.

**Warning:** The spillage monitoring system is a safety feature required by law and must not be adjusted or put out of action by the installer. If the spillage monitoring system or any of its parts are to be replaced, only original manufacturers parts are to be used.



**Fig 8**

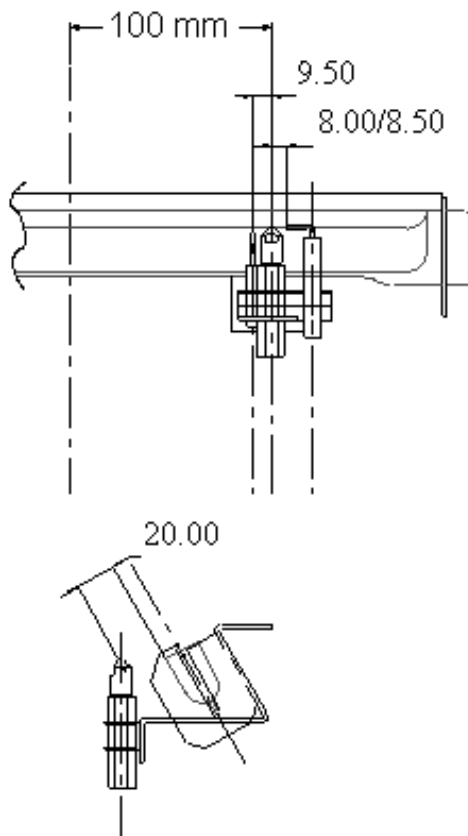
**Note:** The fire will give off non-toxic fumes when first used. This is perfectly normal and is due to the paint curing, it will disappear after the first few hours. Once the spillage test is complete open windows and doors to ventilate the area.





## DETAIL OF PILOT ASSEMBLY

It is strongly recommended to leave the pilot on permanently. This will keep the fire and its components, including the ceramic coal set in a warmer state and give instant ignition to the burner. This in turn will reduce condensation in the chimney and any flue problems associated with this.



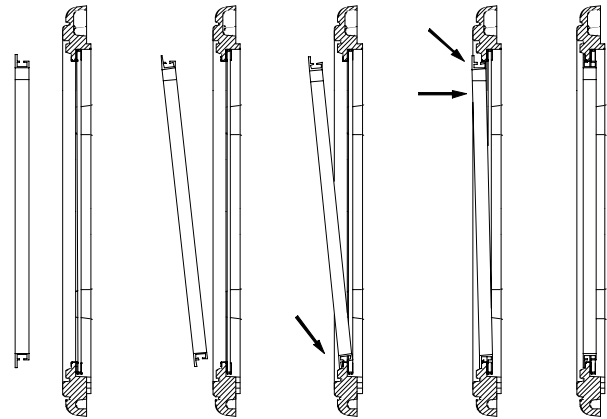
**Fig. 9**

## SERVICING

### DOOR TRIM

The British Gas range of fires are fitted with a silver trim as standard. This clips on to the small lugs at the top and bottom of the aperture in the cast iron fire door, as a "spring fit". When fitted, the trim locks the glass retaining clips in position. (Fig 10)

The fire door should be removed so that the above operations can be carried out on a workbench or similar. Remove the door by GENTLY tapping the door upwards; this will lift off of its hinges.



Trim Fit. Fig 10

### FIRE DOOR GLASS

If necessary the glass can be removed as follows

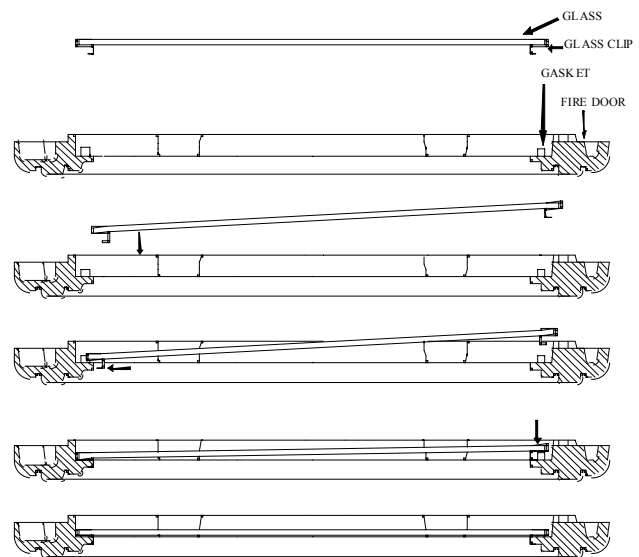
*Step 1* Remove the silver trim by pressing on the curved edge at the top until the trim can be disengaged from the lugs.

*Step 2* Slide the two glass retainer clips on one side only, inwards, towards the centre of the door as far as they will go.

*Step 3* Pull this side of the glass away from the door casting, easing the tags on the glass retaining clips past the edge of the aperture in the door casting.

*Step 4* Remove the glass completely. Store glass retaining clips and white gasket (if sound) safely for re-use.

*Step 5* Follow this procedure in reverse to fit replacement door glass or gasket.



Glass Fit. Fig 11

### COMPONENT REPLACEMENT

- Step 1* Ensure the fire is cold. Turn off the gas supply at the gas service cock.
- Step 2* Remove the coals.
- Step 3* Remove the rear matrix plate, undo the three retaining nuts.
- Step 4* Remove the control valve heat shield. Undo the two retaining screws located on the left-hand side of the shield. Slide the heat shield backwards and lift out carefully. Do not damage the covering.
- Step 5* Disconnect the gas supply pipe at inlet to fire.
- Step 6* Remove the gas control knob (pull off) and remove the M15 control valve retaining nut (17mm spanner).
- Step 7* To remove the burner bracket, burner and control valve assembly, undo the two retaining screws located on the front ledge of the appliance.

**After component replacement, ensure that a check on the gas tightness of any new joint is made by using a soap/water solution.**

### REPLACEMENT OF THE DOOR SEAL

- Step 1* Remove the door, by opening the door and gently tapping the door upwards, this will lift the door off of its hinges.
- Step 2* Remove the old door seal and old adhesive, using a wire brush ensuring that the surface is clean and dust free.
- Step 3* Apply the new adhesive to the door casting.

*Step 4* Starting at one end press the new door seal into the adhesive, continue around the door, making sure that the two ends of the seal are touching. Cut off any excess seal.

*Step 5* Allow the adhesive time to cure (approximately 2 hours depending on the adhesive).

*Step 6* Carefully refit the door and close.

### REGULAR SERVICE

See "SAFETY NOTICES" ref coal set page 4.

Any soot or debris should be removed from the fuel bed regularly by the user.

*Step 1* Isolate the gas supply to the fire using the gas cock supplied at installation.

*Step 2* With the appliance cold, open the main door by turning the handle through 180° degrees.

*Step 3* Carefully remove and clean the fuel effect coals of any soot deposits with a soft brush.

*Step 4* Remove any soot deposits from inside the fire using a vacuum cleaner. (See note under 'Coal set' on page 4)

*Step 5* Replace the coal set as described in "Arranging The Coals" on page 7.

## SERVICING

---

### ANNUAL SERVICE

***THIS GAS APPLIANCE MUST BE SERVICED EVERY TWELVE MONTHS BY A QUALIFIED GAS ENGINEER.***

See "SAFETY NOTICES" ref coal set page 4.

- Step 1* Isolate the gas supply to the fire using the gas cock supplied at installation.
- Step 2* With the appliance cold, open the main door by turning the handle through 180° degrees.
- Step 3* Carefully remove and clean the fuel effect coals of any soot deposits with a soft brush.
- Step 4* Inspect chimney and flue terminal ensuring they are in good working order and sweep as necessary to ensure no debris blocks the flue. Please note periodic chimney sweeping is vital gas fire maintenance.
- Step 5* Remove any soot deposits from inside the fire using a vacuum cleaner.  
(See not under 'Coal set' on page 4)
- Step 6* Inspect the pilot assembly to ensure that it is clean, unobstructed and in good order.
- Step 7* Check system for gas soundness
- Step 8* Replace the coal set as described in "arranging the coals".
- Step 9* Carry out spillage test as per instructions on page 15.

### CLEANING OUTER SURFACES

To clean the outside first the appliance must be cold.

The outside finish of the fire is a durable high temperature paint, this will give off a slight odour during the first few days of operation. It is best cleaned by using a soft brush. Do not allow moisture to remain on the fire whilst cold or surface rust may occur.

### CLEANING DOOR GLASS

To clean the door glass the appliance must be cold.

Open the main door by turning the handle through 180° degrees. When cleaning the inside of the door glass care should be taken that no damage is caused to the door sealing gasket.

### # PLEASE NOTE

#### FIREDOOR HANDLE

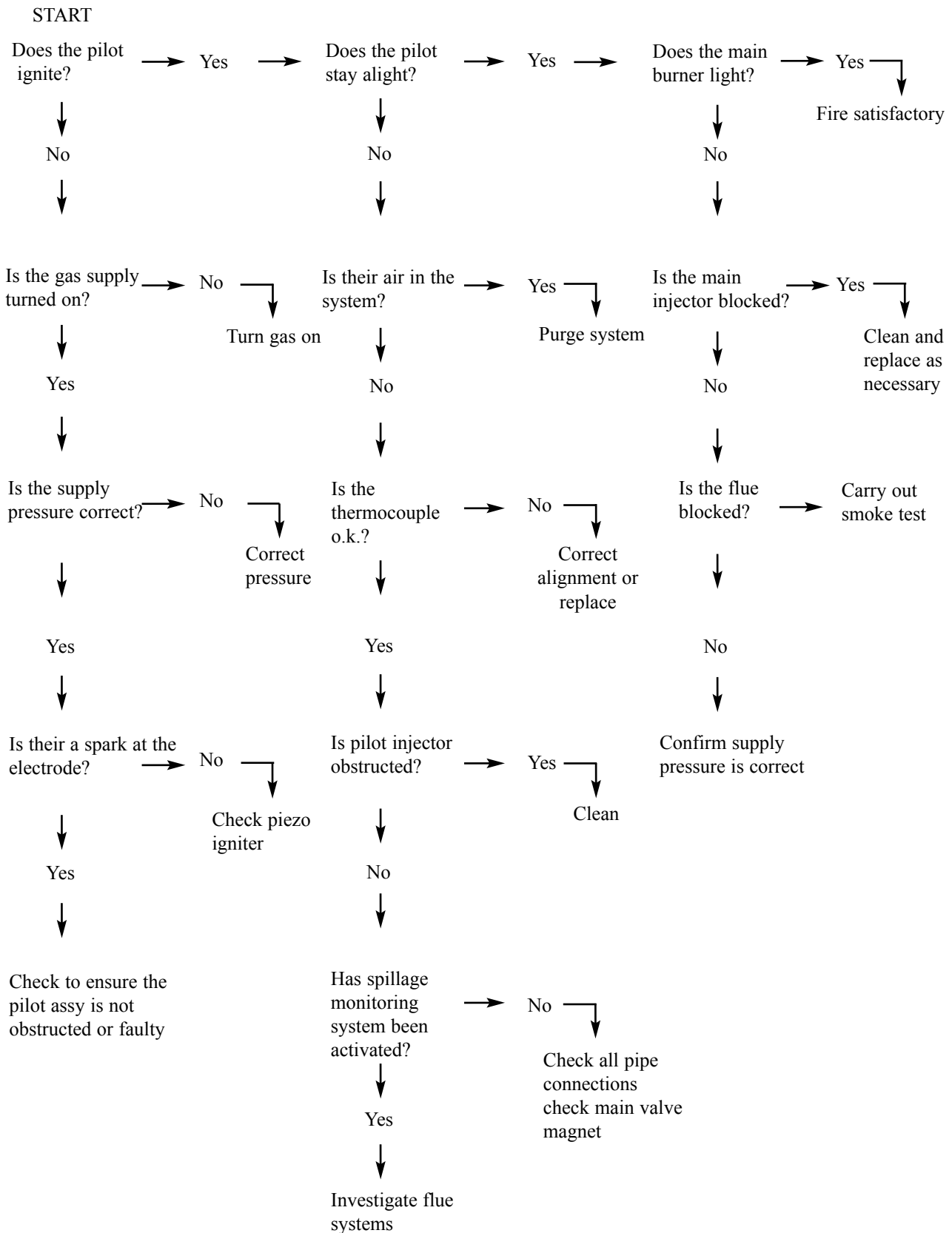
Please note the fire door has no thread to secure it to the locking spindle.

The handle is designed to be a loose fit to ensure the handle is not left in the door when the fire is running.

This is a safety issue to ensure the fire door remains shut and can not be inadvertently opened when the fire is running.

# SERVICING

## FAULT DIAGNOSIS



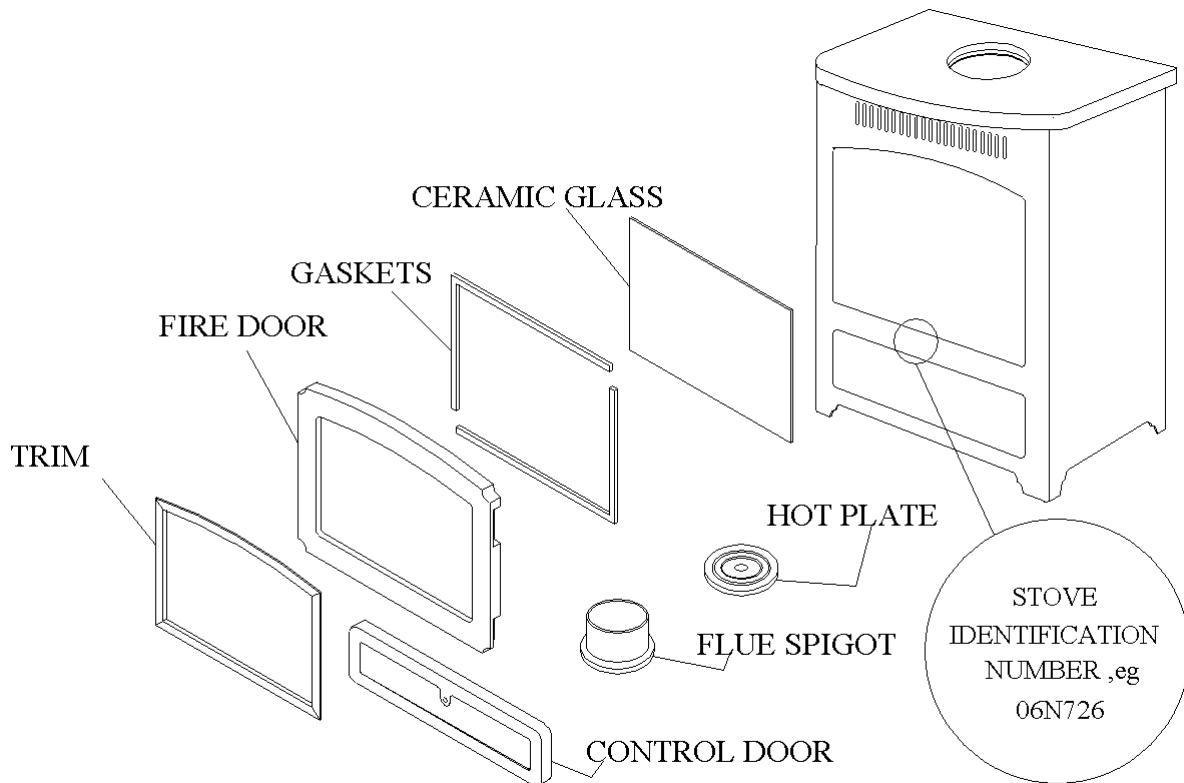
# SERVICING

---

## GENERAL COMPONENTS

Spare parts can be obtained by contacting the supplier of the fire.

**Fire Body Ancillary Components.**  
Only use genuine parts.



## ACCESSORIES AND OPTIONS

### Elegant stands







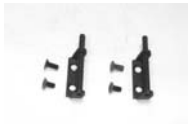
Are available for the complete Beacon and Firemore range.

**Paint-** Matching aerosol paint to tone in any connecting flues, pipes or surrounding metalwork





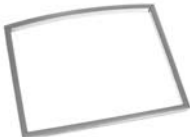


### Add on Canopies

**Beacon** - Low available only  
Size: 405mm wide x 335mm deep.  
Raises the fire approximately 150mm.





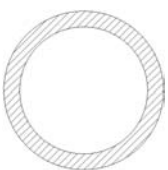

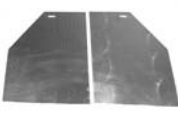
**Firemore** - High and low are available.  
Size:-475mm wide x 345mm deep  
High. Raises the fire approximately 240mm  
Low. Raises the fire approximately 180mm.

<b>Part Description</b>	<b>Visual Aid (not to scale)</b>	<b>Beacon Part No.</b>	<b>Firemore Part No.</b>
<b>1. Firemore Coal Set</b>			AFGS088
<b>1a. Beacon Coal Set</b>		AFGS088A	
<b>2. Co-pilot Assembly</b>		AFGS089	AFGS089
<b>3. Elbow Injector</b>		AFGS090	AFGS090
<b>4. Gas Control Valve</b>		AFGS091A	AFGS091
<b>5. Control Door Magnet.</b>		AFS1042	AFS1042
<b>6. Hinge Kit To Fit Both Doors Comprises 2 Hinges &amp; 4 Fixings Per Set.</b>		AFS047	AFS047

## SPARE PARTS


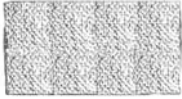


Part Description	Visual Aid (not to scale)	Beacon Part No.	Firemore Part No.
7. Fire Door Locking Assembly		AFGS103	AFGS103
8. Control Door Handle Assembly		AFGS101	AFGS101
9. Burner & Fixing		AFGS092A	AFGS092
10. Pipe Set Complete With Connectors		AFGS080	AFGS080
11. Decorative Door Surround		AFS094A	AFS095
12. Main Door Assembly Complete With Handle, Glass, Gaskets, Clips and Seal.		AFGS097C	AFGS037C
13. Glass Replacement Kit Complete With Glass, Gaskets & Clips		AFS069	AFS088



<b>Part Description</b>	<b>Visual Aid (not to scale)</b>	<b>Beacon Part No.</b>	<b>Firemore Part No.</b>
<b>14.</b> Gasket Kit Inc. Clips		AFS070	AFS089
<b>15.</b> Hotplate		AFGS064	AFS010
<b>16.</b> Flue Outlet Spigot		AFGS063	AFGS040
<b>17.</b> Fire Door Rope Kit With Door Rope Glue.		AFGS105	AFGS106
<b>18.</b> Flue Spigot and Hot Plate Gasket.		AFGS1071	AFGS1071
<b>19.</b> Beacon Reflective Panels		AFGS062	
<b>19a.</b> Firemore Reflective Panels			AFGS082

## SPARE PARTS

---

<b>Part Description</b>	<b>Visual Aid (not to scale)</b>	<b>Beacon Part No.</b>	<b>Firemore Part No.</b>
<b>20.</b> Large Ceramic Panel		AFGS093	AFGS093
<b>21.</b> Small Ceramic Panel		AFGS094	AFGS094
<b>22.</b> Gas Tap		AFGS025	AFGS025
<b>23.</b> Fire Door Locking Handle		AFGS104	AFGS104

## SERVICE RECORD

---

Date of Visit	Company	Work Carried Out	Signature

Should you have any questions about your gas fire that is not covered in this manual please contact your British Gas retailer.

Please keep all repair receipts safely.

Please ensure you have this manual available when an engineer visits as they will complete the service record chart.

---

## FINAL FACTORY CHECK LIST

Model.....
Serial No.....

QUALITY	
FINISH	
COAL SET	
GAS SERVICE COCK	
REFLECTIVE PANELS	
DOOR HANDLE	
FLUE OUTLET	
HOTPLATE	
OPERATING INSTRUCTIONS	

***I've checked it  
and it's O.K.***

Assembled by.....

Checked by .....

**This product is exclusively manufactured for British Gas/Scottish Gas by Valor.  
For service please telephone British Gas on 0845 960 5040.**

Date of Purchase.....

Name and address of supplier.....

.....

.....

***\* Please ensure installer completes INSTALLATION CHECK LIST details  
on page 16 of this manual.***