



OWNER'S GUIDE

COALFLAME & LIMOUSIN



MODEL BR627
(GC No. 32-032-22)



INSET LIVE FUEL EFFECT GAS FIRE

**AS SUPPLIED, THIS APPLIANCE IS FOR USE WITH NATURAL GAS (G20)
WHEN CONVERTED USING VALOR CONVERSION KIT NO.591159 THIS
APPLIANCE IS FOR USE WITH PROPANE GAS (G31)
THIS APPLIANCE IS FOR USE IN THE UNITED KINGDOM (GB) AND THE
REPUBLIC OF IRELAND (IE) ONLY.**

This guide is intended to help you care for your Valor gas fire. Please read thoroughly before using and keep for future reference

We trust that this guide gives sufficient details to enable the your appliance to be operated and maintained satisfactorily. However, if further information is required, our **Valor AdviceLine** will be pleased to help.

Please telephone 0345 626341 (Local call rates apply).

This guide to be left with the owner

OWNER'S GUIDE

Safety First.

Valor fires are CE Approved and designed to meet the appropriate British Standards and Safety Marks.



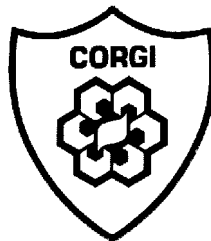
Quality and Excellence at the heart of every Valor fire.

All Valor fires are manufactured to the highest standards of quality and excellence and are manufactured under a BS EN ISO 9001 quality system accepted by the British Standards Institute.



The Highest Standards

Valor is a member of the Society of British Gas Industries which works to ensure high standards of safety, quality and performance.



Careful Installation

Valor is a CORGI registered company. All our gas fires must be installed by a competent CORGI Registered Installer in accordance with our Installer Guide and should not be fitted directly on to a carpet or floor of combustible material.



Valor Heating, Erdington, Birmingham B24 9QP

Because our policy is one of constant development and improvement, details may vary slightly from those given in this publication

OWNER'S GUIDE

LIST OF CONTENTS

SAFETY	4
OPERATING YOUR FIRE	6
CLEANING.....	8
FITTING THE CERAMIC COALS	9
MAINTENANCE.....	10

C U S T O M E R C A R E

Thank you for choosing Valor.

All Valor gas fires are designed to meet the most stringent quality, performance and safety requirements to provide our customers with many years' trouble-free service.

Your owner guide aims to improve your understanding and appreciation of your Valor gas fire by providing simple and informative instructions to ensure that you benefit from the excellent performance and features it has to offer.

If you require further assistance or any advice about gas in general, the **Valor AdviceLine** will be pleased to help.

Please telephone **0345-626 341** (local call rates apply in the United Kingdom).

OWNER'S GUIDE

SAFETY

IF YOU SMELL GAS

DON'T SMOKE

EXTINGUISH ALL NAKED FLAMES

DON'T TURN ELECTRICAL SWITCHES ON OR OFF

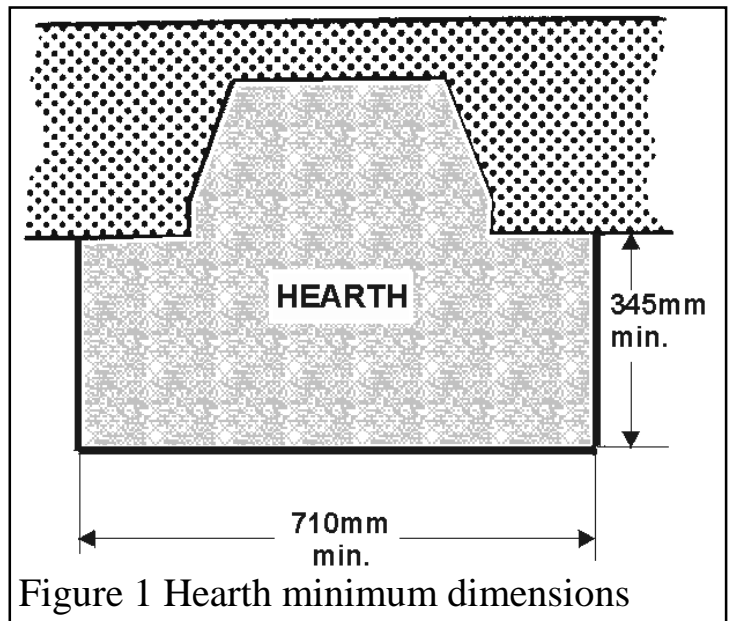
TURN OFF THE GAS SUPPLY AT THE METER

OPEN DOORS AND WINDOWS TO GET RID OF THE GAS

IMMEDIATELY CALL THE GAS EMERGENCY SERVICE – SEE YOUR LOCAL TELEPHONE DIRECTORY

1. As with any gas appliance, this fire must be installed by a competent person (in the United Kingdom registered with CORGI). In the United Kingdom, installation must be in accordance with the latest edition of the Gas Safety (installation & use) Regulations. In the Republic of Ireland, installation must be in accordance with all national and local regulations in force.

2. If the fire is intended to be installed to a chimney which was previously used for solid fuel, the chimney must be swept prior to installation.
3. The fire must not stand on carpets or other combustible materials. The fire must stand behind a non-combustible hearth surface. The hearth material must be at least 12mm thick. Its top surface should be 50mm above floor level to discourage placing carpets, rugs or other combustible materials over it. The minimum size of the hearth is shown in figure 1.
4. If the fire is intended to be installed against a wall with combustible cladding, the cladding must be removed from the area covered by the outer surround.



OWNER'S GUIDE

5. The minimum height from the top of the hearth to the underside of any shelf made from wood or other combustible material and which is not more than 150mm deep is 750mm.

For shelves deeper than 150mm add 12.5mm to the above clearance for every 25mm of additional shelf depth.

See figure 1a.

- 6 The minimum allowable distance to a corner wall or other combustible projection from the outside edge of the front surround at either side is 100mm. See figure 1a.

7. Never put any paper or other material on the fire. Never add any extra coals above the number stated in these instructions.

This could cause a safety hazard.

8. It should be appreciated that although this appliance conforms to all the applicable standards, it is a decorative fuel effect heating appliance and certain parts of its surface will become hot. A suitable guard which complies with BS 6539 or 6778 should be used for the protection of young children, the elderly and the infirm.

Such a guard is also recommended for the protection of pet animals.

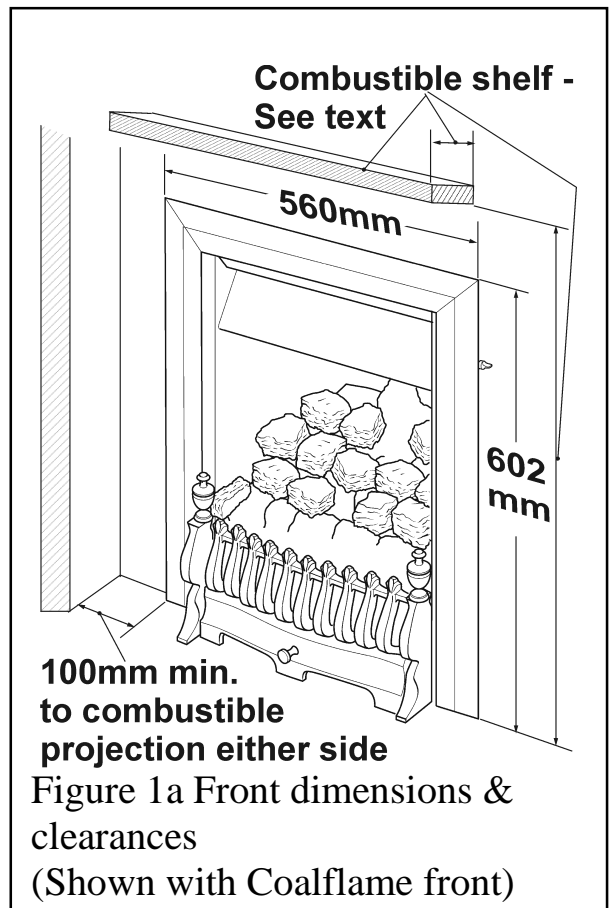
9. Always switch the fire off and allow to cool before handling. Note that this appliance retains heat for some time after it has been switched off.

10. Never hang clothing, towels or any other fabrics over the fire.

11. This appliance is fitted with an Oxysafe device which will automatically shut off the supply of gas to the fire if, for any reason, the flames go out. If this device does operate or if the fire is turned off accidentally or intentionally, always wait three minutes before attempting to relight.

12. Soft wall coverings (e.g. embossed vinyl etc.), are easily affected by heat. They may, therefore, scorch or become discoloured when close to a heating appliance. Please bear this in mind when having a heating appliance installed and when redecorating.

13. Never add any extra coals above the number stated in this guide. This could cause a safety hazard.



OWNER'S GUIDE

OPERATING YOUR FIRE

Please note

- When operating your fire for the first time, some vapours may be given off which may cause a slight odour and could possibly set off any smoke alarms in the immediate vicinity. These vapours are quite normal with new appliances. They are totally harmless and will disappear after a few hours use.
- This fire is supplied with ceramic “coals” to simulate a real coal fire. After some use, the coals may change colour. This is quite normal.

The Oxysafe flame sensing & flue blockage safety system.

For your safety, this appliance is fitted with a flue blockage safety device which will shut down the appliance in the event of abnormal flue conditions. ***This device is NOT a substitute for an independently mounted Carbon Monoxide detector.***

The device will also automatically shut off the gas supply to the fire if the pilot flame goes out due to lack of oxygen or for any other reason.

If this device starts to repeatedly shut off the gas, get expert advice.

This device incorporates a probe which senses that the heat from the pilot flame is correct. If this probe is cool, the device will prevent any gas flow unless the sliding control button is held at the ignition position.

If, for any reason, the flames go out when the fire is hot or if the fire is turned off when hot, always ***wait at least three minutes before attempting to relight.***

To light the fire

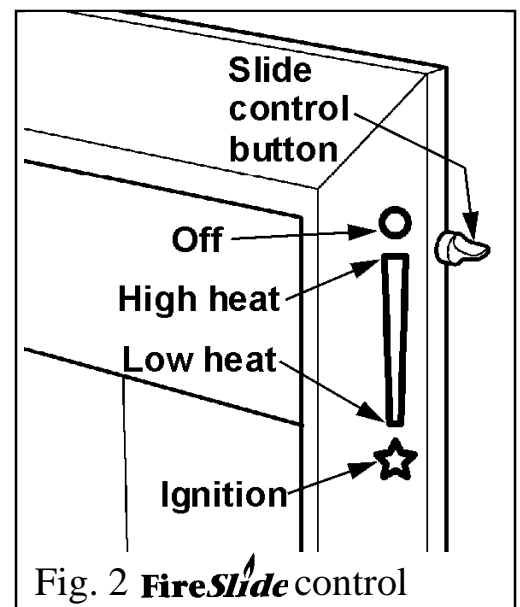
The **FireSlide** control is shown in figure 2.

1. Slide the control button to the bottom (ignition) position marked ☆ In this position, the electronic ignition system should cause a series of sparks which should light the pilot. Within four seconds of the pilot igniting, the main burner should light at its minimum setting.

If no sparks are produced to light the pilot, the battery may need replacing. Details of battery replacement are given on page 10.

Until you can obtain a replacement battery the fire can be lit with a taper as described on page 7.

2. Keep the button at the ignition position for a further ten seconds. This will prevent the flame sensing device from shutting off the gas while its probe warms up as explained above.



OWNER'S GUIDE

3. If low heat is required, release the button. The button will automatically spring up to the low heat position shown in figure 2

(See note i below).

4. For a higher heat level slide the button upwards. The burner flames and heat output will gradually increase until the button reaches the high heat position shown in figure 2. When the button reaches the high heat position you will feel a check to its movement. ***Do not slide the button above the high heat position unless you want to turn the fire off*** (See note i below).

Note

- i) If the flames go out while setting the control, repeat the full lighting procedure. If the flames repeatedly go out have the fire serviced.
- ii) Please note. When first turned on the flames will appear predominantly blue. The coals will take time to warm up. Although some glow will be seen after approximately ten minutes, the full visual effect will only be apparent after a somewhat longer time.
- iii) The appliance will operate to its maximum potential if the flue is primed during the first 20 – 30 minutes of operation. To do this, simply slide the control button to its highest setting. This will also burn off any carbon deposits that may have formed during previous operations.
- iv) If operating the appliance for long periods it is beneficial occasionally to change the settings. This will also help to remove any carbon deposits that may form during operation.

To turn the fire off

Slide the button up past the high heat position to the “O” position.

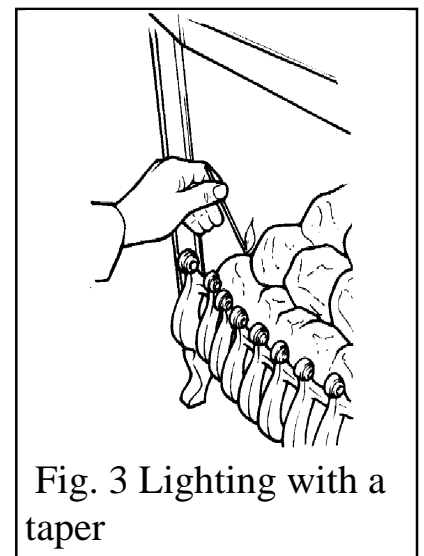
Both the main burner and the pilot should go out.

While cooling, the coals may make some crackling noises.

This is quite normal.

Lighting with a taper

In the unlikely event of failure of the ignition spark, the pilot can be lit by a taper or long spill. Insert the taper or spill alongside of the left side of the fire box and operate the slide control as described above. See figure 3.



OWNER'S GUIDE

CLEANING

Turn the fire off and allow it to cool before attempting any cleaning. Note that the fire will retain heat for some time after it has been turned off.

If large pieces of debris are found anywhere in the fireplace, have the chimney inspected before further use.

Metal parts

Clean the metal parts with a slightly damp cloth and then dry. *Do not use abrasive cleaners, they could scratch the surface.*

Ceramic Coals

This product uses a fuel effect pieces containing Refractory Ceramic Fibres (RCF), which are man-made vitreous silicate fibres. Excessive exposure to this material may cause temporary irritation to eyes, skin and respiratory tract. Consequently, it makes sense to take care when handling these articles to ensure that the release of dust is kept to a minimum.

Light coatings of soot will usually be burnt off during the normal operation of the fire. Should any soot accumulation become excessive, the fuel effect pieces should be removed from the fire for cleaning. Cleaning should be carried out in a well ventilated area or in the open air by gently brushing with the pieces held away from your face so that you avoid inhaling the dust. We do not recommend the use of a normal domestic vacuum cleaner which may blow dust back into the air. We suggest that you remove the coals in the reverse order to that shown in the ceramic coal refitting instructions.

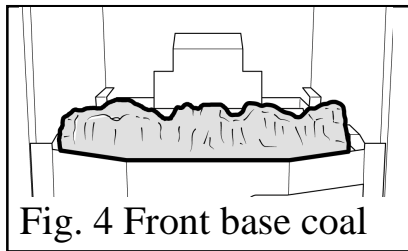
Ceramic burner

Remove any deposits of soot or other foreign matter from the solid areas of the burner with a dry soft brush. Be careful not to brush any particles into the open slots. Remove any particles from the slots with a vacuum cleaner fitted with a soft brush attachment. *Do not poke wire, etc. into the slots in the burner.*

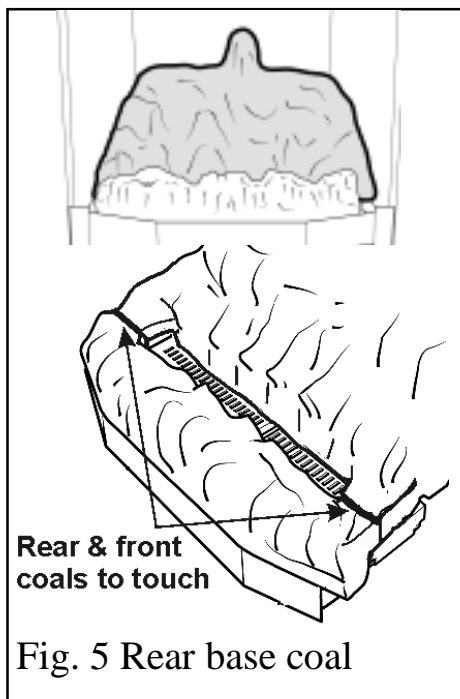
OWNER'S GUIDE

FITTING THE CERAMIC COALS

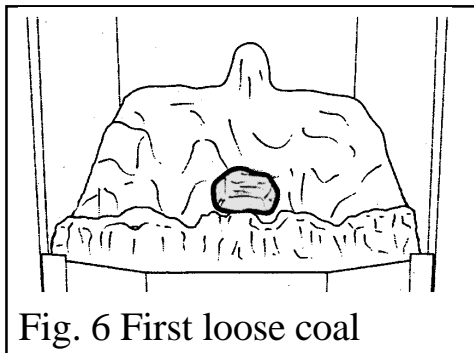
7.1 Place the front base coal in the burner compartment so that it rests on the ledges at the sides and front. Pull the coal forward so that it is immediately behind the front rim of the burner compartment See figure 4.



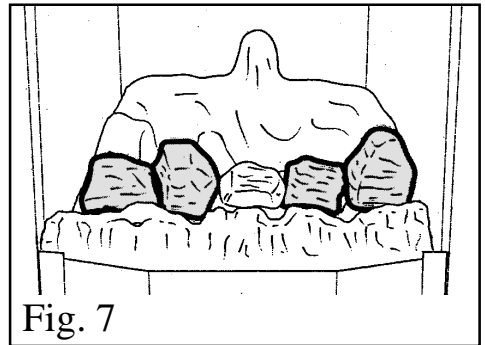
7.2 Place the rear base coal in the burner compartment behind the front coal. It should rest on the ledge at the back of the burner compartment. The projections at the sides of the rear coal should touch the front coal. See figure 5.



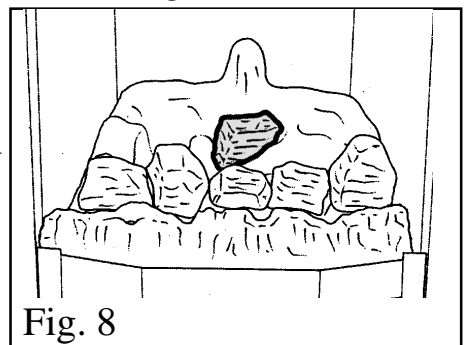
7.3 Place one of the loose coals from the bag in the centre of the front base coal. Make sure that it bridges the space between the front and rear base coals. See figure 6.



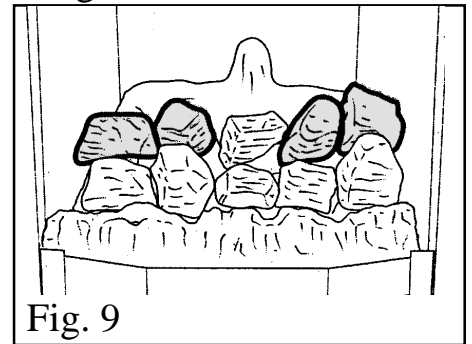
7.4 Place two coals each side of the centre loose coal. Make sure that they bridge the space between the front and rear base coals. See figure 7.



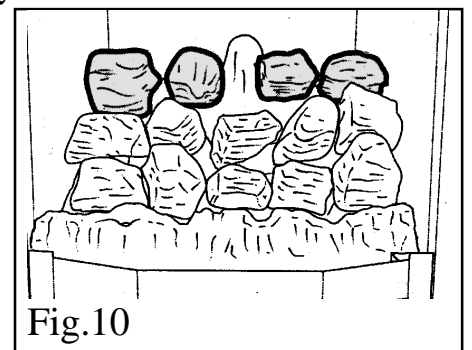
7.5 Place a loose coal behind the central coal in the front row central and resting on the two peaks of the rear base coal. See figure 8.



7.6 Place two coals each side of the centre loose coal and immediately behind the front row of coals. See figure 9.



7.7 Place two of the remaining coals each side of the central peak at the rear of the base coal and immediately behind the second row of coals. See figure 10.



OWNER'S GUIDE

MAINTENANCE

Battery replacement

This appliance requires 9V PP3 Ever-Ready Silver Seal (or equivalent) battery.

To replace the battery remove the bottom front cover casting.

Fit the new battery firmly to the connections on the generator, the positive battery terminal (+) being to the right as you insert. See figure 11.

Regular maintenance

In order to achieve and maintain high levels of personal safety and performance efficiency, it is essential that the opening at the back of the fire and the flue are kept clear of any form of obstruction. It is possible that deposits of mortar or soot could fall and accumulate causing the flue to be blocked or restricted and so preventing proper clearance of dangerous exhaust fumes. In the United Kingdom it is the law that a landlord must have any gas appliance, flue and pipework which is situated in a tenant's premises checked for safety at least every twelve months by a competent person (In the U.K, a CORGI registered installer).

We recommend that all gas appliances and their flues, wherever situated, are checked annually.

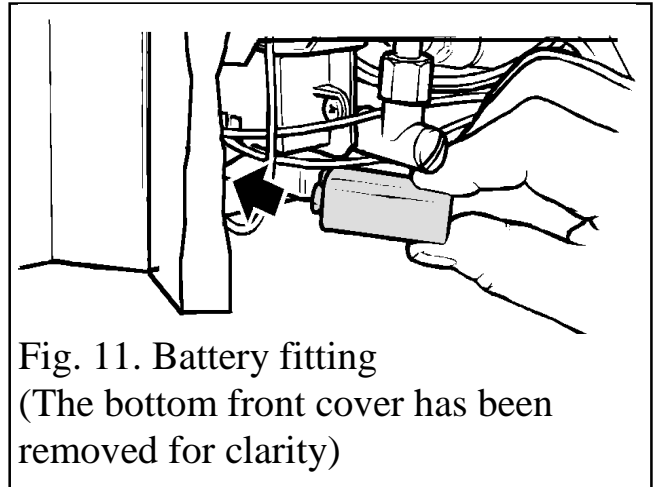


Fig. 11. Battery fitting
(The bottom front cover has been removed for clarity)

OWNER'S GUIDE

Servicing

- In the United Kingdom servicing can be carried out either by a Valor Service engineer or a CORGI registered installer.
- If you require your fire to be serviced by a Valor engineer, please contact **Valor Service** on **0121 386 6203** and quote the following details;
 - a) model name and number.
 - b) appliance serial no. (To be found below the burner and behind the bottom front cover)
- If you wish to replace any of the owner replaceable parts listed below, please contact **Valor Sales** on **0121 386 6260** for your nearest stockist of these parts. When ordering please quote the part number shown below.

Owner Replaceable Parts

<u>Description</u>	<u>Part No</u>
Rear base coal	565739
Front base coal	569579
Bag of 14 loose coals	563339

- **When fitting replacement parts, follow the instructions contained in this guide. It is important that only Valor approved parts are used for maximum safety.**
- In the United Kingdom, for general advice about gas and your gas fire call the **VALOR ADVICELINE 0345 626341**.
- In the Republic of Ireland call **353 183 75114** for all enquiries.

This appliance was installed by:

Installer's Company Name.....

Telephone.....