

INSTALLER GUIDE

MODEL BR419 VA

(G.C.32-032-08)

**Inset Live Fuel Effect
Gas Fire**

with

**Ultimate Fireslide
Colourway**

or

**Homestyle
Front**



AS SUPPLIED, THIS APPLIANCE IS FOR USE WITH NATURAL GAS (G20)

WHEN CONVERTED USING VALOR CONVERSION KIT NO.591149 THIS APPLIANCE IS FOR USE WITH PROPANE GAS (G31)

THIS APPLIANCE IS FOR USE IN THE UNITED KINGDOM (GB) AND THE REPUBLIC OF IRELAND (IE) ONLY.

We trust that this Installer Guide gives sufficient details to enable the appliance to be installed and maintained satisfactorily. However, if further information is required, our **Valor AdviceLine** will be pleased to help.

Please telephone 0345 626341 (Local call rates apply).

INSTALLER: Please leave this guide with the owner

Valor Heating, Erdington, Birmingham B24 9QP

www.valor.co.uk

Because our policy is one of constant development and improvement, details may vary slightly from those given in this publication.

INSTALLER'S GUIDE

CONTENTS

1	APPLIANCE DATA	3
2	GENERAL INSTALLATION REQUIREMENTS	4
3	UNPACKING & PRE-INSTALLATION PREPARATION	9
4	GAS SUPPLY CONNECTION	13
5	PREPARING APPLIANCE FOR INSTALLATION	14
6	CONVECTION BOX INSTALLATION.....	15
7	BURNER & SUPPLY PIPE INSTALLATION.....	18
8	FRONT SURROUND INSTALLATION	19
9	FITTING THE CERAMICS.....	22
10	FULL OPERATING CHECKS.....	24
11	FINAL REVIEW.....	27
12	SERVICING & PARTS REPLACEMENT	28
	SHORT LIST OF SPARES.....	36

INSTALLER'S GUIDE

1 APPLIANCE DATA

This product uses fuel effect pieces, burner compartment rear wall and gaskets containing Refractory Ceramic Fibres (RCF), which are man-made vitreous silicate fibres. Excessive exposure to these materials may cause temporary irritation to eyes, skin and respiratory tract. Consequently, it makes sense to take care when handling these articles to ensure that the release of dust is kept to a minimum. To ensure that the release of fibres from these RCF articles is kept to a minimum, during installation and servicing we recommend that you use a HEPA filtered vacuum to remove any dust and soot accumulated in and around the fire before and after working on the fire. When replacing these articles we recommend that the replaced items are not broken up, but are sealed within a heavy duty polythene bag, clearly labelled as RCF waste. This is not classified as “hazardous waste” and may be disposed of at a tipping site licensed for the disposal of industrial waste. Protective clothing is not required when handling these articles, but we recommend you follow the normal hygiene rules of not smoking, eating or drinking in the work area and always wash your hands before eating or drinking.

This appliance does not contain any component manufactured from asbestos or asbestos related products.

The appliance data label is on a plastic tie below the burner and is visible when the bottom front cover is removed.

Gas	Natural (G20)	Propane (G31)*
Inlet Pressure	20mbar	37mbar
Input - Max. (Gross)	6.0kW (20,500Btu/h)	6.1kW (20,800Btu/h)
Input - Min. (Gross)	2.7kW (9,200Btu/h)	4.3kW (14,650Btu/h)
Output - Max.	3.5kW (11,900Btu/h)	3.6kW (12,280Btu/h)
Output - Min	1.3kW (4,450Btu/h)	2.1kW (7165Btu/h)
Burner Test Pressure (Cold)	17.0±0.75mbar (6.8±0.3in w.g.)	35.6±0.75mbar (14.3±0.3in w.g.)
Gas Connection	8mm pipe	8mm pipe
Burner Injector	Bray Cat. 18 Size 400	Bray Cat. 18 Size 170
Pilot & Atmosphere Sensing Device	SIT Ref. OP9030	SIT Ref. OPLPG9222
Ignition	Piezo Electric. Integral with Gas Tap	Piezo Electric. Integral with Gas Tap
Aeration	Non-adjustable	Non-adjustable

* When converted using Kit 591149.

INSTALLER'S GUIDE

2 GENERAL INSTALLATION REQUIREMENTS

2.1 The installation must be in accordance with these instructions.

For the user's protection, in the United Kingdom it is the law that all gas appliances are installed by competent persons in accordance with the current edition of the Gas Safety (Installation and Use) Regulations. Failure to install the appliance correctly could lead to prosecution. The Council for the Registration of Gas Installers (CORGI) requires its members to work to recognised standards.

In the United Kingdom the installation must also be in accordance with:

All the relevant parts of local regulations.

All relevant codes of practice.

The relevant parts of the current editions of the following British Standards:-

BS 715 BS EN 1806 BS 5440 Part 2 BS 6891

BS 1251 BS 4543 Part 2 BS 5871 Part 1

BS 1289 Part 1 BS 5440 Part 1 BS 6461 Part 1

In England and Wales, the current edition of the Building Regulations issued by the Department of the Environment and the Welsh Office

In Scotland, the current edition of the Building Standards (Scotland) Regulations issued by the Scottish Executive.

In Northern Ireland, the current edition of the Building regulations (Northern Ireland) issued by the Department of the Environment for Northern Ireland.

In the republic of Ireland the installation must also conform to the relevant parts of:

- a) The current edition of IS 813
- b) All relevant national and local rules in force.

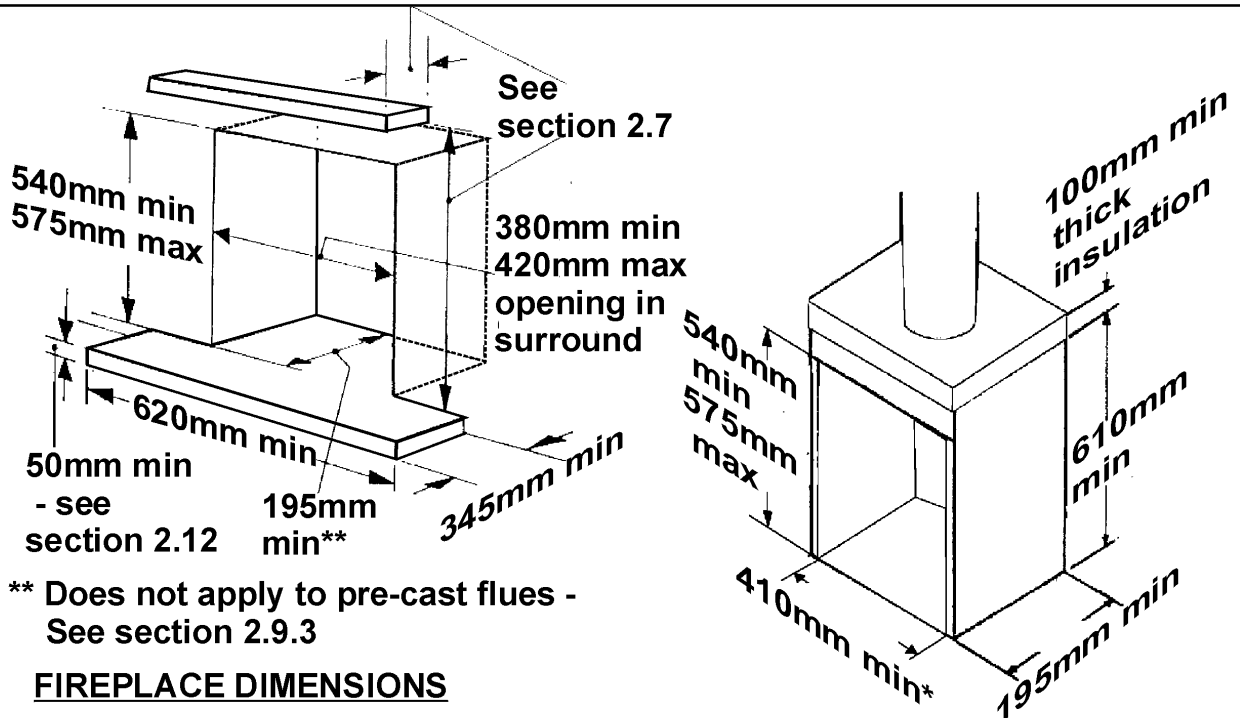
2.2 If the appliance is intended to be installed to a chimney which was previously used for solid fuel, the flue must be swept clean prior to installation. All flues should be inspected for soundness and freedom from blockages.

2.3 Any chimney dampers or restrictors should be removed. If removal is not possible they must be fixed in the open position.

2.4 In the United Kingdom (GB) special ventilation bricks or vents are not normally required in the room for this appliance.

In the Republic of Ireland (IE) permanent ventilation must comply with the regulations currently in force.

INSTALLER'S GUIDE



** Does not apply to pre-cast flues -
See section 2.9.3

FIREPLACE DIMENSIONS

*If internal width is greater than 440mm,
the opening width must be reduced to
not more than 440mm to ensure
adequate sealing to the fire

TWIN WALLED METAL FLUE BOX (INTERNAL DIMENSIONS)

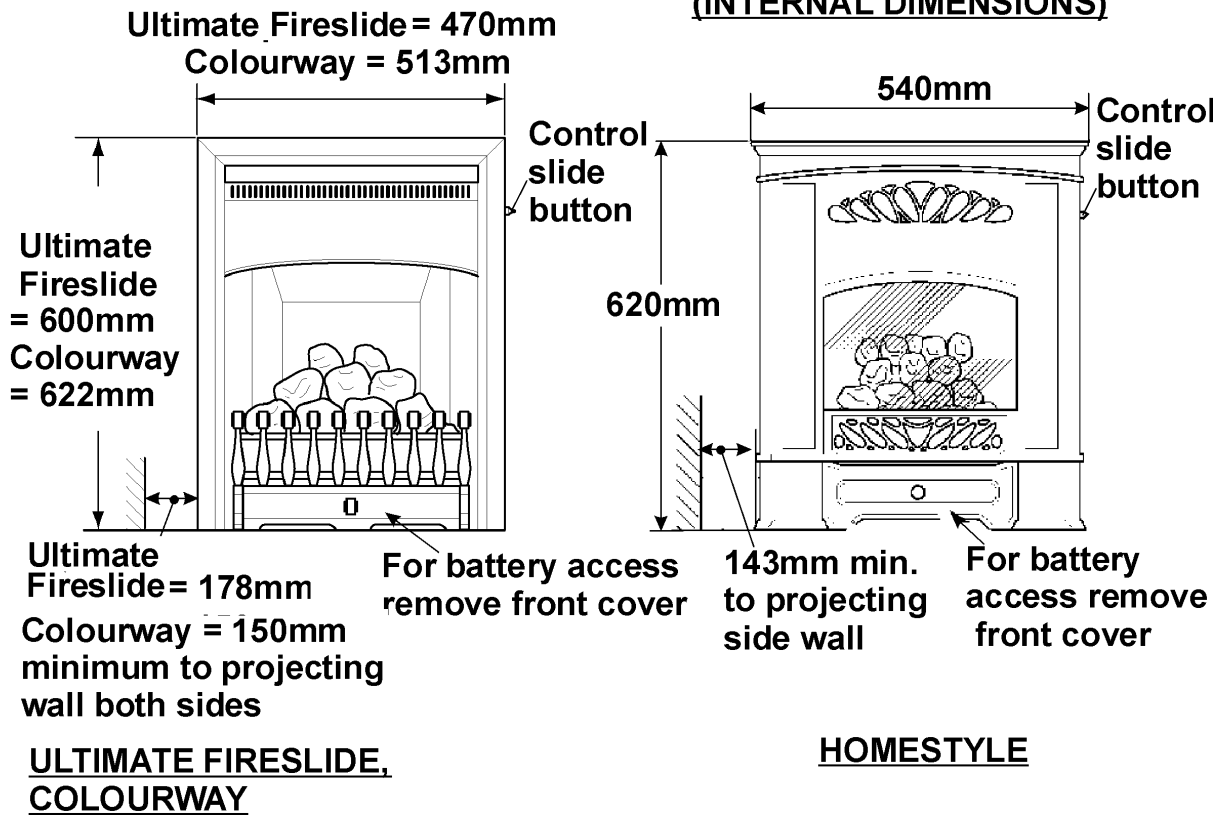


Figure 1 Installation Requirements

INSTALLER'S GUIDE

2.5 Note that soft wall coverings (e.g. embossed vinyl, etc.) are easily affected by heat. They may scorch or become discoloured when close to a heating appliance. Please bear this in mind when installing.

2.6 The minimum allowable distance from the outside edge of the front surround to a corner wall or other projection which extends further forward than the front of the appliance at either side is shown in figure 1.

2.7 The minimum height from the top surface of the hearth to the underside of any shelf made from wood or other combustible materials is as follows: -

- *For a shelf up to 150mm deep:-* Minimum height = 750mm.
- *For a shelf deeper than 150mm:-*
Minimum height = 750mm + 12.5mm for every 25mm depth over 150mm.

2.8 The appliance must not be installed in any room, which contains a bath, or shower or where steam is regularly present.

2.9 In the United Kingdom this appliance can be installed in the following situations:-

2.9.1 To a fireplace complete with surround and hearth complying with B.S 1251. The required fireplace, hearth, debris catchment area and clearance dimensions are shown in figure 1.

2.9.2 To a fireplace incorporating a twin walled metal flue box complying with the constructional requirements of the current edition of BS 715 and standing on a non-combustible base. The dimensions of the flue box must conform to the opening shown in figure 1. For flue details see section 2.10.

2.9.3 To a fireplace that has a precast concrete or clay flue block system conforming to BS1289 or BS EN 1806. The appliance is suitable for installations conforming to older versions of BS1289 as well as the current edition. The flue blocks must have a minimum width not less than 63mm and a cross-sectional area not less than 13,000mm². Older editions of BS1289 required a cross-sectional area of 13,000mm². The current revision of the standard requires 16,500mm². This appliance is suitable in both cases. The total depth of the opening measured from the finished front of the fireplace (Including plaster, surround etc) must be ***not less than 100mm.***

The current version of BS1289 recommends that there should be an air space or insulation between the flue blocks and the plaster because heat transfer may cause cracking on directly plastered flues. However, generally this appliance is suitable for installations under all circumstances unless there is a history of cracking problems. Remember that faults such as cracking may be caused by poorly built and restrictive flues, e.g. mortar extrusions, too many bends, flue heights below three metres, restrictive terminations, etc.

INSTALLER'S GUIDE

2.9.4 To a builder's opening within the dimensions shown in figure 1.

2.9.5 If the fireplace opening is greater than the acceptable dimensions given in this guide, do not use the back of a fire surround or marble to reduce the opening. This may cause cracking of the surround back or marble.

2.10 Suitable flues and minimum flue sizes are as follows: -

- 225mm x 225mm conventional brick flue.
- 175mm diameter lined brick or stone flue.
- 200mm diameter factory made insulated flue manufactured to BS 4543.
- 175mm diameter flue pipe (see B.S 6461 part 1 for suitable materials).
- Single wall, twin wall or flexible flue liner of minimum diameter 125mm. The materials to be used are stainless steel or aluminium as specified in B.S 715.
- A properly constructed precast concrete or clay flue system conforming to BS1289 or BS EN 1806.

It should be noted that, sharp bends or horizontal runs in metal flues at the top of the system could be a cause of problems in these types of installation.

2.10.1 The minimum effective height of the flue must be 3m.

2.10.2 The flue must be completely sealed so that combustion products do not come into contact with combustible materials outside the chimney.

2.10.3 The flue must serve only one fireplace.

2.10.4 Proprietary terminals must comply with BS 715 or BS 1289. Any terminal or termination must be positioned in accordance with BS 5440 Part 1 to ensure that the products of combustion can be safely dispersed into the outside atmosphere. Where the appliance is connected to an unlined brick chimney it is generally unnecessary for the chimney pot to be replaced or for a terminal to be fitted unless the flue has a diameter smaller than 170mm.

2.11 If the fireplace opening is an underfloor draught type, it must be sealed to stop any draughts.

2.12 The appliance must be mounted behind a non-combustible hearth (n.b conglomerate marble hearths are considered as non-combustible). The appliance can be fitted to a purpose made proprietary class "O" 150°C surround. The hearth material must be at least 12mm thick. The periphery of the hearth (or fender) should be at least 50mm above floor level to discourage the placing of carpets or rugs over it.

The surface of the hearth must be sufficiently flat to enable the bottom of the front surround, the burner bracket and the bottom front cover casting to be aligned horizontally. Any excessive unevenness (uneven tiles, Cotswold stone, etc.) should be rectified.

The appliance must not stand on combustible materials or carpets.

INSTALLER'S GUIDE

The appliance must not be fitted directly against a combustible wall. If the appliance is to be fitted against a wall with combustible cladding, the cladding must be removed from the area covered by the outer surround (See figure 1). We suggest that the actual surround is used as a template to mark the area for combustible cladding removal.

2.13 The front face of the fireplace should be reasonably flat over the area covered by the convection box top and side flange seals to ensure good sealing. These faces should be made good if necessary.

The fireplace floor should be reasonably flat to ensure that a good seal with the convection box can be made.

2.14 An extractor fan may only be used in the same room as this appliance, or in any area from which ventilation for the appliance is taken, if it does not affect the safe performance of the appliance. Note the spillage test requirements detailed further on in this manual. If the fan is likely to affect the appliance, the appliance must not be installed unless the fan is permanently disconnected.

2.15 Propane gas appliances must not be installed in a room, which is built entirely below ground level (See BS 5871 Part 2).

INSTALLER'S GUIDE

3 UNPACKING & PRE-INSTALLATION PREPARATION

3.1 Unpacking

The items required for this appliance are contained in 2 sections:

The Fascia section will be one of the following options:

Ultimate Fireslide black & brass surround

Ultimate Fireslide All black surround

Homestyle black cast iron

Colourway black

Colourway burgundy

Colourway green

Colourway blue

Colourway champagne

Colourway brass

Fire Unit Section contains:-

- 1 Burner & Convection box Unit
- 1 Nut & olive for 8mm inlet pipe
- 1 Flue restrictor plate
- 2 Tapping screws (For restrictor plate)
- 1 Ceramic back wall
- 1 Front base coal
- 1 Rear base coal
- 1 Pack of loose coals
- 2 Small "U" seals for convection box side flanges
- 1 Strip of floor sealing tape
- 6 Fibre plugs
- 4 Woodscrews
- 2 Fire retaining cables
- 2 Cable clamps
- 4 Eyebolts
- 1 Slider knob extension bracket (For Colourway & Homestyle fronts only)
- 4 Screws for knob extension bracket (For Colourway & Homestyle fronts only)
- 1 Installation template
- 1 Battery
- 1 Smoke match tube
- 1 Literature pack

Fascia Section contains:-

- 1 Fire front surround
- 1 Fire front casting (For Homestyle this is part of fire front casting)
- 1 Bottom front cover casting
- 1 Upper case support strip
- 3 Screws for upper support strip
- 2 Lower case support brackets
- 4 Screws for lower support brackets
- 2 Machine screws for front surround fixing (Not Homestyle)
- 1 Port cover plate (Homestyle front only)
- 1 Burner tray front trim (Homestyle front only)
- 1 Tile set (Homestyle front only)

INSTALLER'S GUIDE

Carefully remove the contents. Take special care in handling the ceramic coals. Take care not to bend or distort the slide control linkage when handling the burner and convection box unit.

Warning! The Homestyle front weighs about 20kg (44lbs). To avoid any risk of injury, if you have any doubt about your ability to safely lift this pack and its contents, ask someone to assist you.

Check that all the listed parts are present and in good condition.

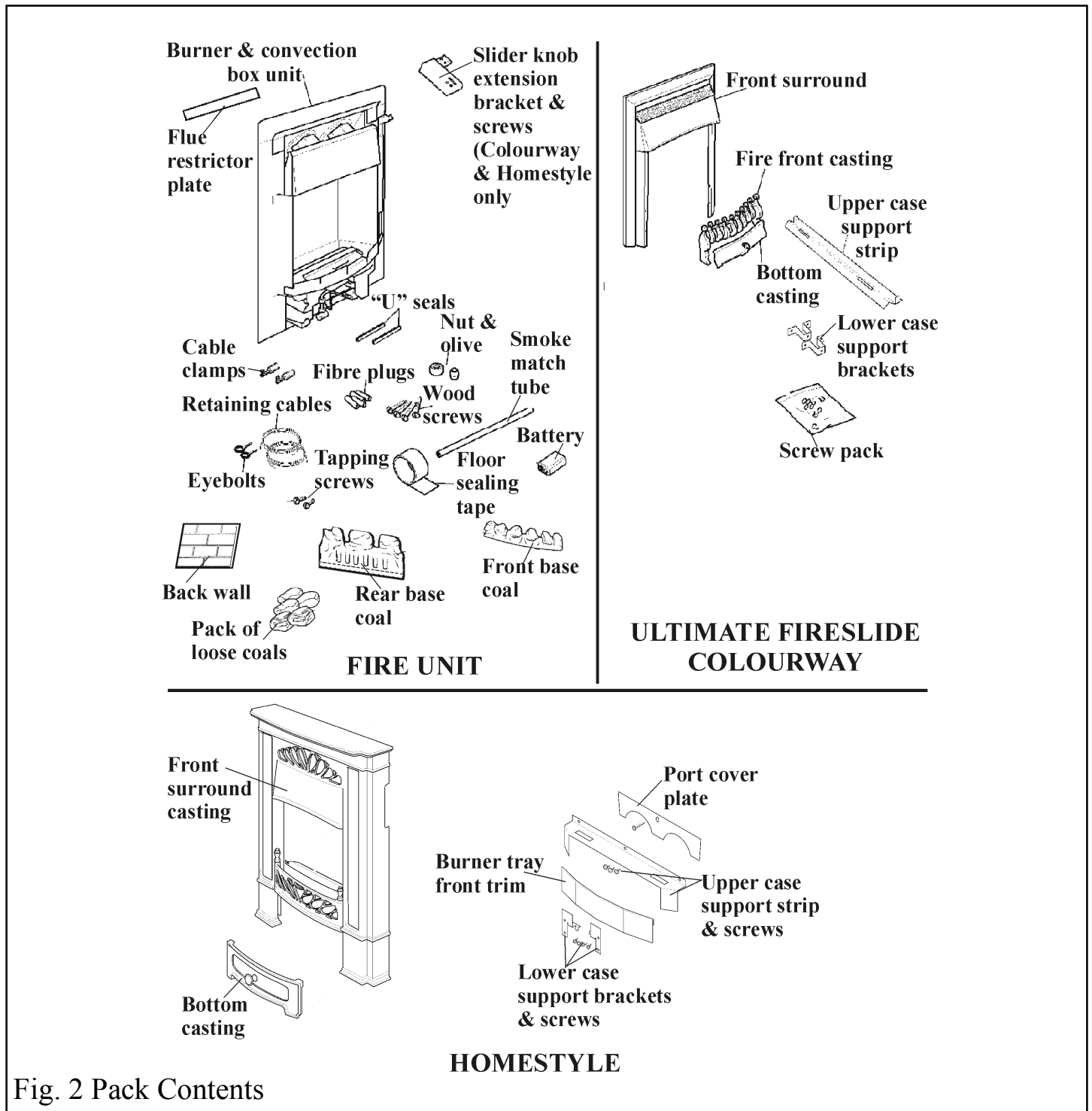


Fig. 2 Pack Contents

INSTALLER'S GUIDE

3.2 Ignition Spark Check

Before attempting to install, it is worth checking that the electronic ignition system performs satisfactorily.

- Fit the battery to the ignition block located below the burner tray at the left side (see figure 3). The positive terminal (+) is to the right as you insert.
- Depress the slider as far as it will go. This should

close the ignition circuit. Sparks should be seen tracking from the electrode pin to the thermocouple tip. See figure 4.

- If there are no sparks make the following checks.
 - a.* Check condition of battery and that it is correctly fitted.
 - b.* Check spark gap between electrode wire and thermocouple tip (see figure 5).
 - c.* If a & b are satisfactory, check the ignition circuit and components - see the servicing section in this manual.

3.3 Fireplace Condition Check

3.3.1 The fireplace must comply with all the requirements of section 2.

3.3.2 The debris catchment area shown in figure 6 must be kept clear of obstructions.

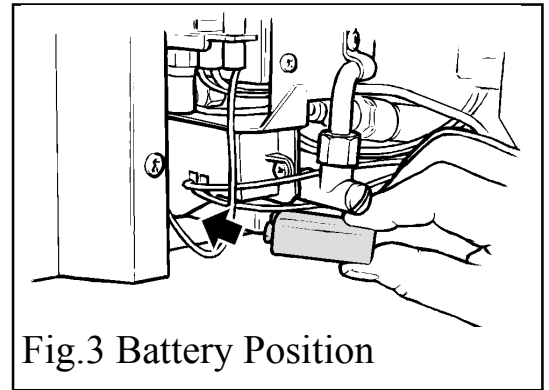


Fig.3 Battery Position

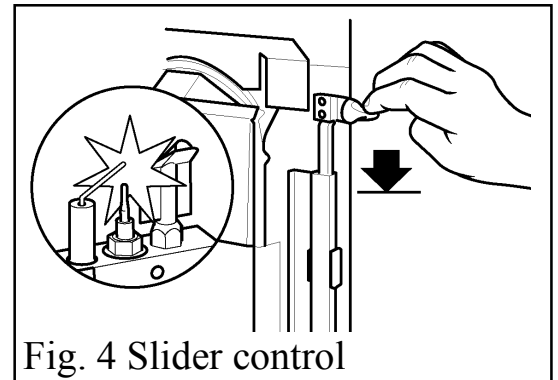


Fig. 4 Slider control

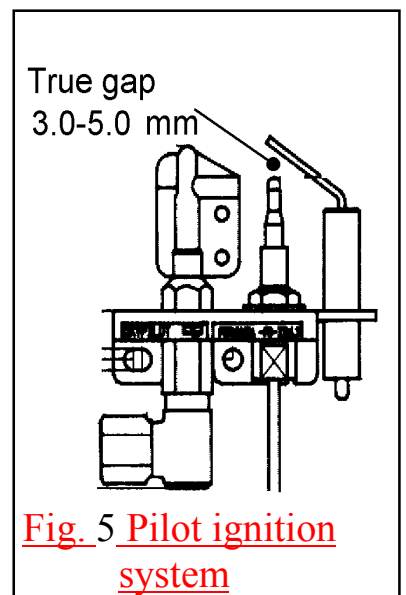


Fig. 5 Pilot ignition system

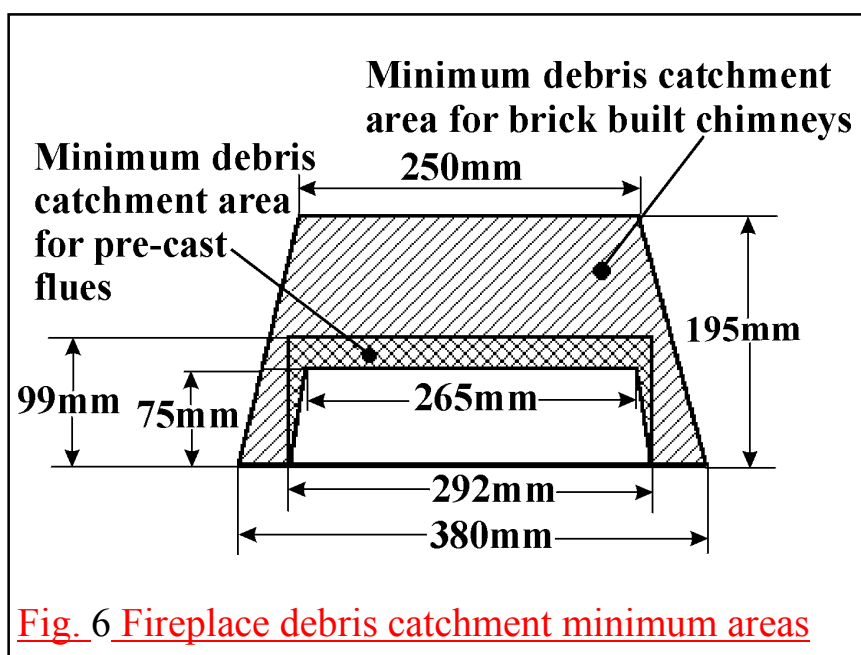


Fig. 6 Fireplace debris catchment minimum areas

3.3.3 Fireplace General Condition

The fireplace floor should be reasonably flat to ensure that the convection box can be installed without it rocking and so that a good seal can be made at the bottom front of the box. The front face of the fireplace should be reasonably flat over the area covered by the convection box top and side flange seals to ensure good sealing. These faces should be made good if necessary. If the appliance is to be fitted against a wall with combustible cladding, the cladding must be removed from the area covered by the outer surround (see figure 1). We suggest that the actual surround is used as a template to mark the area for combustible cladding removal.

3.3.4 Soundness for appliance attachment

Two primary methods of retaining the appliance are provided: -

- 1) By fixing to the fireplace front.
- 2) Using concealed tension cables fixed to the rear of the fireplace opening together with secondary fixing to the fireplace floor.

The methods are detailed in section 6 of this manual. Before selecting the retention method, consult with the customer. Method 2 is provided for instances where drilling holes in the front surface of the fireplace surround is unacceptable to the customer or otherwise impractical. N.B. It is unwise to attempt to drill into marble without the proper tools and equipment.

If method 1 is chosen, make sure that the fireplace front surround area is sound enough to take the rawlplugs and woodscrews. If necessary, make sound with a suitable cement. If method 2 is chosen, make sure that the areas at the back and towards the centre of the fireplace floor are sound enough to take the eyebolts and screws. If these areas have deteriorated due to prolonged use, they should be made sound with a suitable cement.

3.3.5 Installations using a metal flue box

The whole of the top surface of the metal flue box must be covered with a layer of mineral wool or equivalent insulation at least 100mm thick. See figure 1.

3.3.6 Fireplace Flue Pull

Close all doors and windows in the room in which the appliance is to be installed. After confirming with a match that smoke is drawn into the flue, light a 13 gram smoke pellet and check that there is a definite flow through the flue. Verify outside that the smoke exits from one terminal only and that the termination is suitable. Observe, where possible, upstairs rooms and loft spaces for signs of escaping smoke indicating a defective flue. If there is not a definite flow warm the flue for a few minutes and repeat the smoke pellet test. If there is still no definite flow the flue may need remedial work – **Do not fit the appliance until there is a definite flow through the flue.**

INSTALLER'S GUIDE

4 GAS SUPPLY CONNECTION

A nut and olive are provided for an 8mm pipe inlet connection to the elbow at the bottom front of the appliance. The elbow can be rotated to allow a connection from any direction. The elbow includes a valve for isolating the gas supply.

The supply pipe must be rigid material. Flexible pipe must not be used.

4.1 Concealed Supply Pipe Connection

If a concealed connection from inside the fireplace is required then, **before the appliance is fitted into the fireplace** it will be necessary to extend the supply line so that it will project through the sealed opening at the back of the convection box (near the left side) and run to the elbow at the front

The pipe run from the supply line up to the rear opening in the convection box must be kept clear of the area which will be taken by the convection box when it is installed. A template is supplied to aid the installation of the pipe run.

We recommend the following method for installing with a concealed supply pipe:

1. Cut the template to the shape shown by the "Debris catchment area". Note that the areas are different for fireplaces with conventional brick flues and precast flues.
2. Place the template on the fireplace floor (printed side upward) with the front line level with the front surface of the fireplace. The centre line of the template should line up with the centre of the fireplace. Tape the template securely in this position.
3. Make sure that the fireplace is clear of all material over the full area covered by the template including that marked "*Debris catchment area*".
4. Install the supply pipe to run through the thick line marked "*Supply pipe entry*" and up to the inlet elbow position. Note that the centre of the appliance inlet elbow is 25mm above the fireplace floor. The inlet elbow should be removed from the appliance and fitted to the supply pipe at this stage. Remove the template.

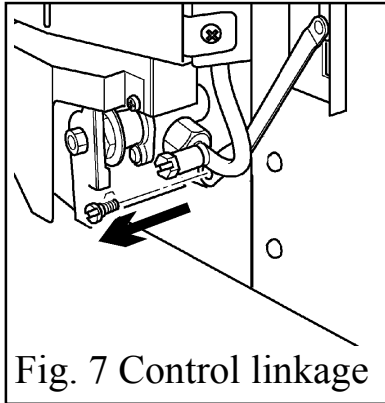
4.2 Side Supply Pipe Connection

The appliance is designed to allow a side supply pipe to run in front of the front surround and through a cut- out at either rear bottom corner of the fire front casting. For side connection, final installation of the supply pipe should be left until the appliance is installed in the fireplace. For a right side connection the pipe will have to be formed to clear the burner unit mechanism.

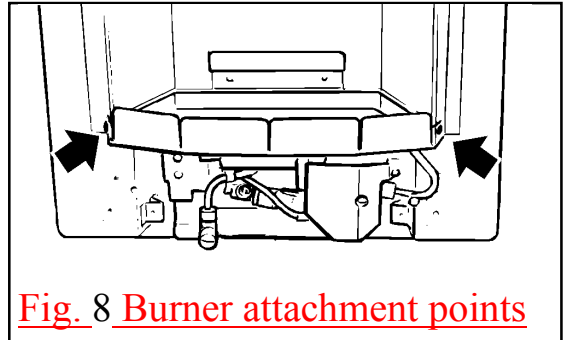
INSTALLER'S GUIDE

5 PREPARING APPLIANCE FOR INSTALLATION

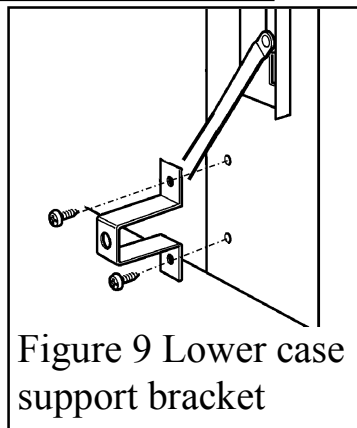
1. Disconnect the control linkage from the burner unit by removing the shouldered screw which joins the control linking bar to the control pivot unit. See figure 7.



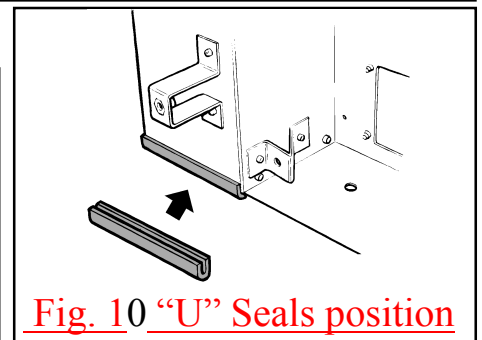
2. Detach the burner unit from the convection box by removing two screws - see figure 8. Lift the burner unit clear.



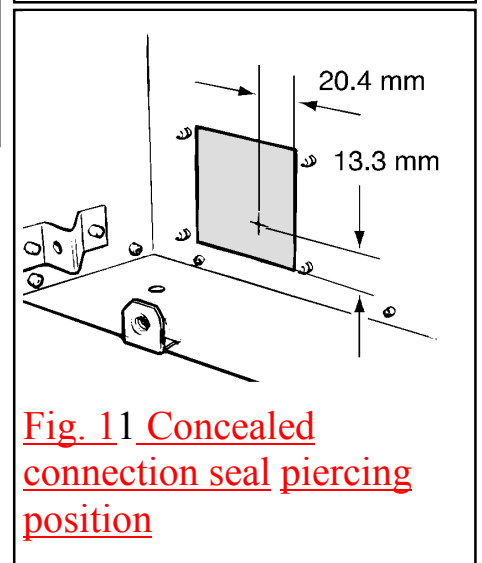
3. Fit the two lower case support brackets to the convection box side flanges. See figure 9.



4. Fit the two small "U" section seals to the bottom edges of the convection box side flanges. See figure 10.

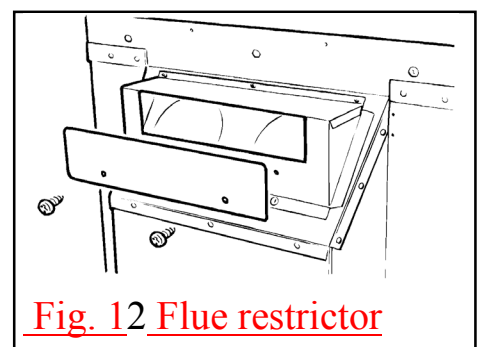


5. For concealed connection only: Pierce a hole in the seal at the back of the convection box. See figure 11. The seal must envelop the pipe. If the hole is larger than the pipe, seal it with tape. **Do not pierce the seal unless the supply pipe is to pass through it.**



6. The flue restrictor

This appliance is supplied with a flue restrictor for use where the flue draught is excessive. The restrictor must NOT be fitted where a precast flue or a flue liner is used. For all other installations the restrictor should be fitted. There may however, be certain exceptional circumstances where fitting the restrictor causes the fire to fail the spillage test. In such cases the restrictor will have to be removed. After removal conduct the spillage check again. The restrictor is supplied loose and is fixed with two screws. See figure 12.



INSTALLER'S GUIDE

7. Fit the upper case support strip to the top of the convection box, using three screws inserted from the back of the appliance. See figure 13.

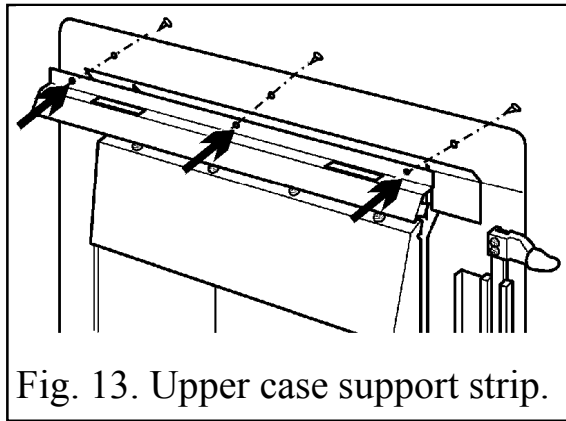


Fig. 13. Upper case support strip.

8. Colourway & Homestyle only

Detach the slider knob by removing and discarding two screws. Attach the slider knob extension bracket to the slider arm using two of the screws supplied in the bag containing the extension bracket. Attach the slider knob to the slider extension bracket using the other two screws supplied in the bag containing the extension bracket. See figure 14.

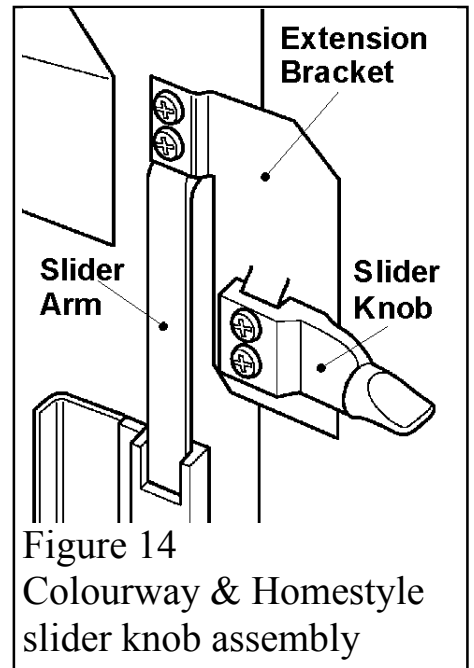


Figure 14

Colourway & Homestyle slider knob assembly

6 CONVECTION BOX INSTALLATION

6.1 Method (1) - Front Fixing to Fireplace Surround

1. Make sure that the fireplace front surround area is sound enough to take the rawlplugs and woodscrews. If necessary, make sound with a suitable cement.

2. Place the convection box centrally in the fireplace in the position in which it is to be permanently installed. If a concealed connection is being used, insert the convection box into the fireplace feeding the supply pipe through the pierced hole in the rear seal.

3. Mark the fireplace front surround through the four fixing holes in the side flanges of the convection box.

See figure 15.

4. Remove the convection box. Drill four holes in the fireplace front surround at the marked positions using a no.12 masonry drill.

5. Insert a rawlplug into each hole.

6. Place the convection box back in position in the fireplace.

7. Fit a woodscrew through each hole in the convection box flanges and tighten to seal the box to the fireplace surround.

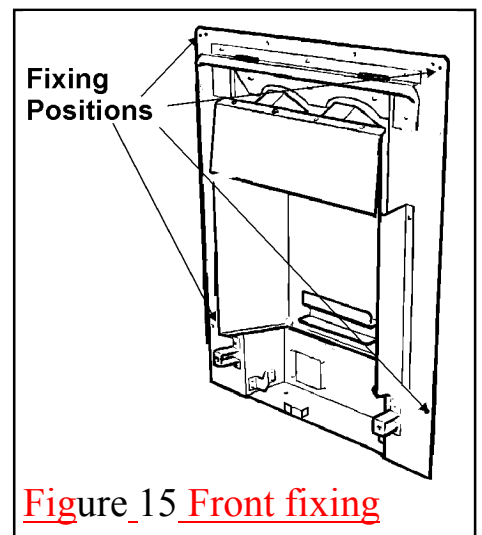


Figure 15 Front fixing

INSTALLER'S GUIDE

6.2 Method 2 - Cable Retention and Floor Fixing

Make sure that the areas at the back and towards the centre of the fireplace floor are sound enough to take the eyebolts and screws. If these areas have deteriorated due to prolonged use they should be made sound with a suitable cement.

1. Drill four holes in the rear wall of the fireplace for the eyebolt plugs. The holes should be drilled within the range of positions shown in figure 16 using a no.12 masonry drill. The holes should be equidistant each side of the centre line of the fireplace to ensure that the appliance finishes centrally in the opening when tension is applied to the cables.

2. Insert a fibre plug into each hole. Use the rawlplugs supplied with this appliance - **Never use plastic plugs instead of the fibre plugs supplied.** Screw the eyebolts into the plugs. Make sure that the bolts are secure.

3. Place the convection box unit close to the fireplace but allow sufficient access into the fireplace opening so that the

cables can be threaded through the eyebolts and returned through the back of the convection box. If a concealed connection is being used, insert the convection box into the fireplace feeding the supply pipe through the pierced hole in the rear seal.

4. The convection box has two holes at each side of the convected air opening. Insert one end of each cable (one cable each side) from the back through the lower of the two holes and return the end through the upper of the holes. See figure 17. Give the cables a pull so that they grip against the convection box flanges.

5. Thread the cables through the upper eyebolts in the rear wall and then through the lower eyebolts. Return the cables through the holes near the bottom of the convection box back panel and through the "V" shaped brackets near the bottom front sides of the convection box. See figure 18.

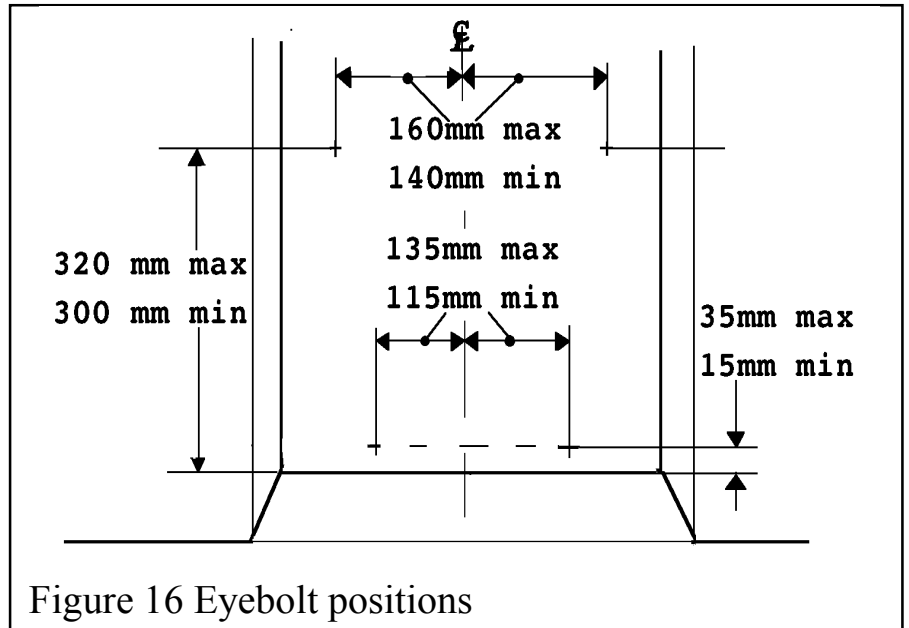


Figure 16 Eyebolt positions

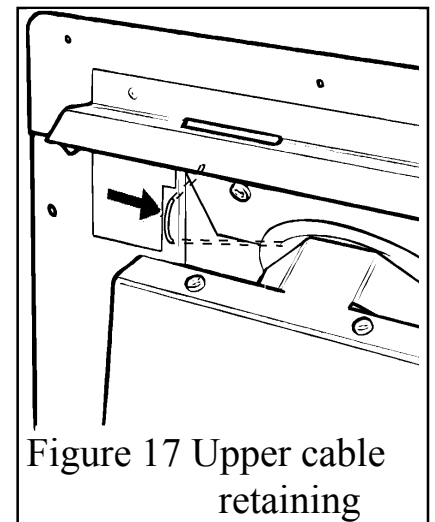


Figure 17 Upper cable retaining

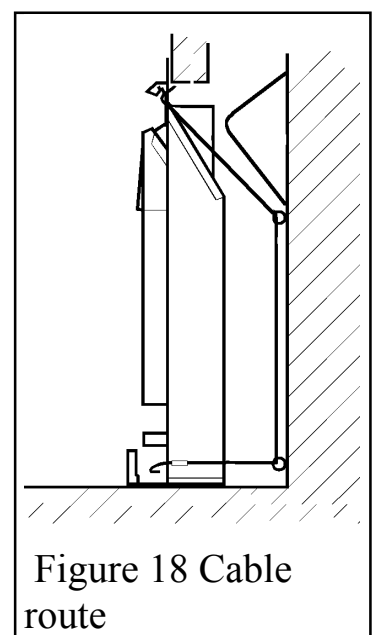


Figure 18 Cable route

INSTALLER'S GUIDE

6. Place the convection box fully back into the fireplace opening so that it is sealed against the fireplace front surround.
7. Fit a cable retainer over the bottom end of each cable.
8. Pull each cable taut. Push the cable retainers hard up against the "V"

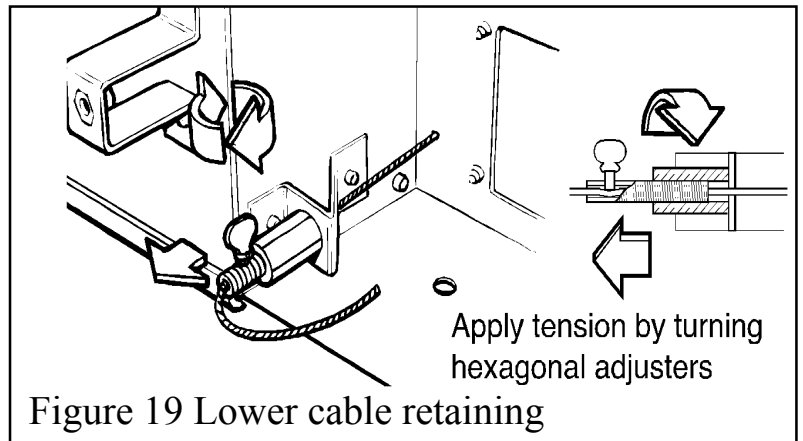


Figure 19 Lower cable retaining

- brackets. Tighten the screws in the retainers so that they clamp the cables in position. Apply tension to the cables by turning the hexagonal adjusters by hand. See figure 19.
9. Drill a hole into the fireplace floor through each of the two holes in the base of the convection box using a no.12 masonry drill. See figure 20.

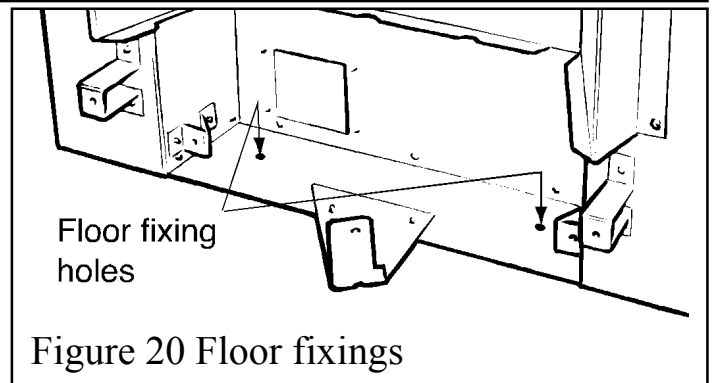


Figure 20 Floor fixings

10. Insert a fibre plug into each hole. Use the rawlplugs supplied with this appliance - **Never use plastic plugs instead of the fibre plugs supplied.** Fit a woodscrew in each plug and tighten.
11. Inspect the installation of the convection box against the fireplace surround. If the convection box is aligned squarely and the sealing is satisfactory, fully tighten the cable retainers.
12. If the convection box is not correctly aligned, release the tension on the cables by slackening the screws and turning the hexagonal adjusters fully anticlockwise. The convection box should then automatically realign itself. Pull each cable taut again and push the cable retainers back against the "V" brackets. Again, tighten the screws in the retainers and apply tension to the cables by turning the hexagonal adjusters clockwise as far as possible.
13. Insert the free length of the cables through the holes in the convection box flanges (located inside the lower case fixing brackets) so that they are pushed into the fireplace cavity. This will allow easy removal and refitting of the appliance during subsequent service calls.

6.3 Sealing Floor Front

All installations

Using the floor sealing tape supplied, seal the bottom of the convection box to the fireplace and hearth floor. Run the tape over the burner fixing bracket. See figure 21.

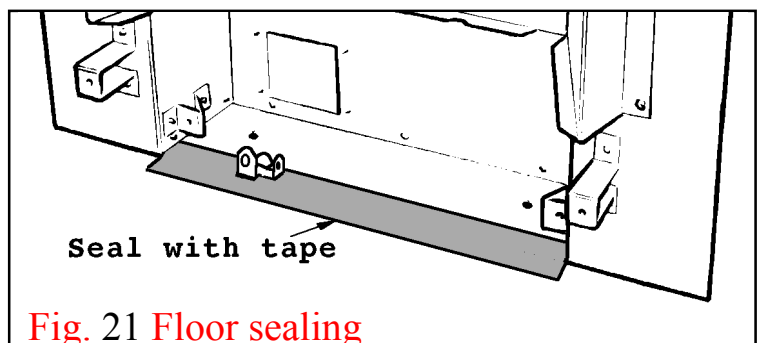


Fig. 21 Floor sealing

INSTALLER'S GUIDE

7 BURNER & SUPPLY PIPE INSTALLATION

7.1 Burner & Supply Pipe Installation

1. Refit the burner unit to the convection box with two screws.
2. Reconnect the slider control linkage firmly to the burner control pivot with the shouldered screw using a screwdriver (Not finger tight only).
3. Connect the supply line to the appliance.
4. Pressure check the installation pipework for gas soundness. In the United Kingdom check in accordance with the current edition of BS6891. In the Republic of Ireland check in accordance with the rules in force. A long brush may be required to reach some joints.

7.2 Preliminary Burner Checks

Some burner operations can be checked at this stage. Checking now will mean that less disassembly will be required if any problems are found. ***A full check should still be made, however, after final installation***

1. If closed, open the isolating valve at the inlet elbow.
2. Depress the slider knob as far as it will go and hold in this position (see section 3.2 and figure 4). This should close the ignition circuit and (now that the gas is connected) simultaneously open the gas tap allowing the gas to flow to the pilot. Wait a few seconds while the air is purged. The electronically generated sparks should light the pilot. The pilot should then light the main burner at its low setting. There may be a delay of up to four seconds between the pilot lighting and ignition of the gas at the main burner. This is normal and is due to the time required to fill the main burner compartment with sufficient gas for ignition.
3. When the burner is operating properly, gradually slide the control knob upwards. The burner flames should gradually increase until the knob is nearly at its highest position. You should feel some resistance when the slide button reaches the maximum burner flame position. Sliding further upwards until the knob comes to a stop should then turn the burner and pilot off. **When the above checks have been completed close the isolating valve on the inlet elbow.**
4. If the above checks are satisfactory, continue with the installation. If not, check the control and ignition circuitry and components as described in the servicing section of this manual.

INSTALLER'S GUIDE

7.3 Reference Pressure Check

The appliance is pre-set to give the correct heat input at the inlet pressure shown in section 1 of this manual. No adjustment is necessary.

1. Check the burner pressure by fitting a pressure gauge at the test point. The test point is on the pipe situated below the bottom right corner of the burner unit. See figure 22. Check the pressure with the appliance alight and set at maximum output.
2. After checking, turn off the appliance. Remove the pressure gauge and replace the test point sealing screw.
3. Relight the appliance. Turn to the maximum output position and test around the sealing screw for gas soundness with a suitable leak detection fluid.

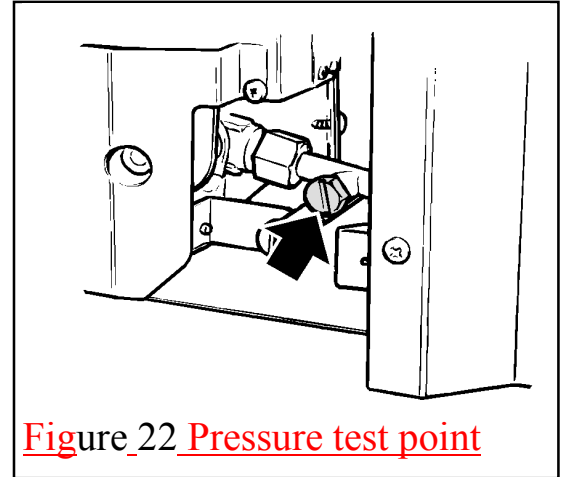


Figure 22 Pressure test point

8 FRONT SURROUND INSTALLATION

8.1 Ultimate Fireslide & Colourway

1. Pick up the outer surround. Locate the two lugs at the top of the front surround in the slots in the upper case support strip (See figure 23). Swing the bottom of the surround sides back against the convection box and lower the surround so that the lugs are fully seated in the slots in the convection box hood.
2. Secure the surround sides to the convection box brackets with the two screws provided. See figure 24.

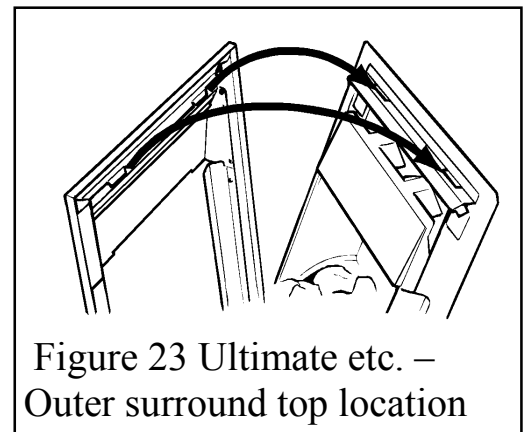


Figure 23 Ultimate etc. –
Outer surround top location

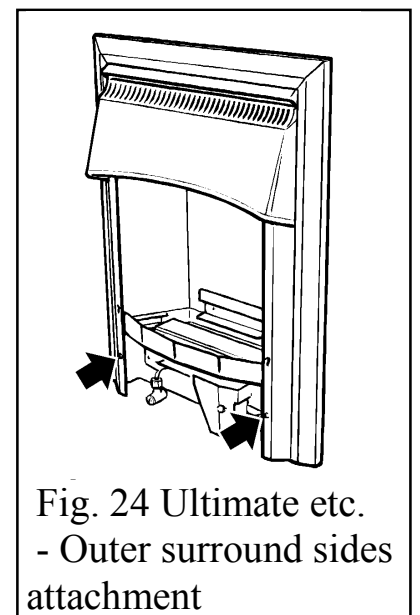


Fig. 24 Ultimate etc.
- Outer surround sides
attachment

INSTALLER'S GUIDE

8.2 Homestyle

The Homestyle front unit weighs around 20kg (44lbs). To avoid any risk of injury, if you have any doubt about your ability to safely lift this pack and its contents, ask someone to assist you.

1. Fit the two lower case support brackets near the bottom of the convection box side flanges. Note the orientation as shown in figure 25.
2. Fit the upper case support to the top of the convection box with the three screws provided. Insert the screws **from the back** of the appliance. See figure 26.
3. Fit the port cover plate to the convection box by removing the screw shown in figure 27, placing the cover plate over the top of the outlet ports and securing with the screw previously removed. It is not essential to run the screw fully home. It can be allowed to protrude to prevent the cover plate from bending. See figure 27.
4. Clip the burner tray front trim over the burner unit front. Make sure that the trim is secured over all three of the burner tray front flanges. See figure 28.
5. Remove the bottom front cover from the casting assembly by lifting and pulling forward.
6. The top casting will have to be removed to insert the tile set. Some appliances have the top casting secured to the sides by screws. Other appliances have the top secured by spring clips. If the top is screwed to the sides, unscrew the two screws at the top of the side castings until they are loose enough to allow the top to be lifted off. There is no screw thread in the top casting, only in the side castings. See figure 29. If no screws are visible, the top can be removed by pulling it firmly upwards to release the spring clips. See figure 29.

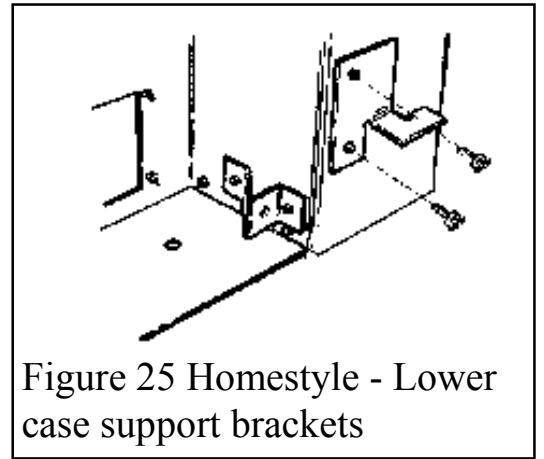


Figure 25 Homestyle - Lower case support brackets

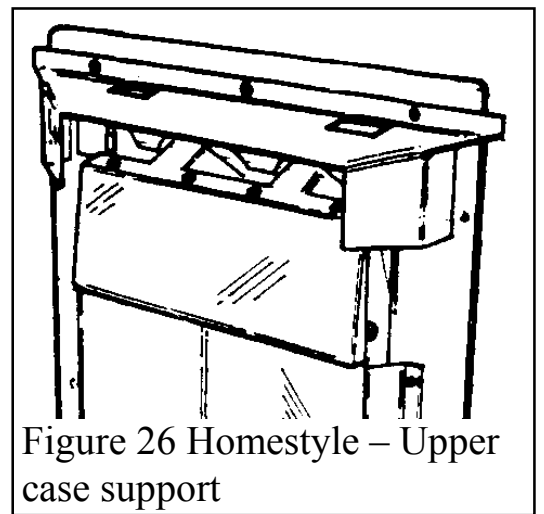


Figure 26 Homestyle - Upper case support

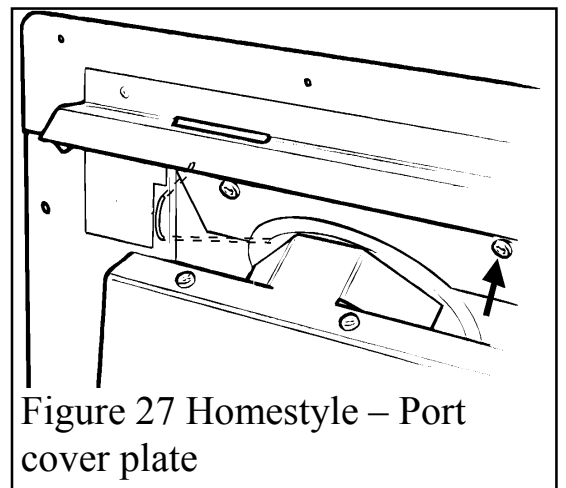


Figure 27 Homestyle - Port cover plate

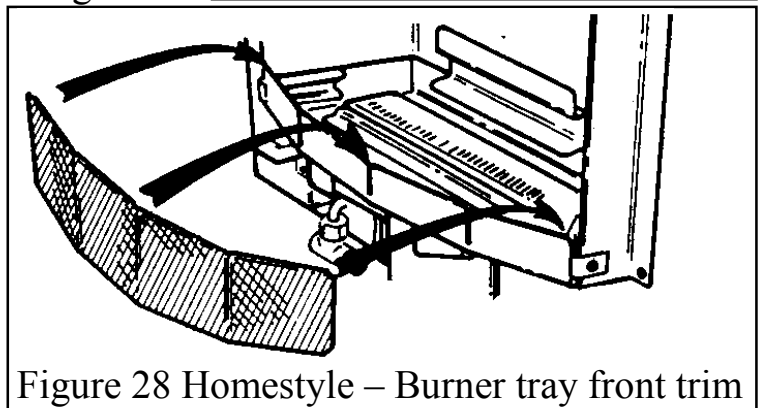
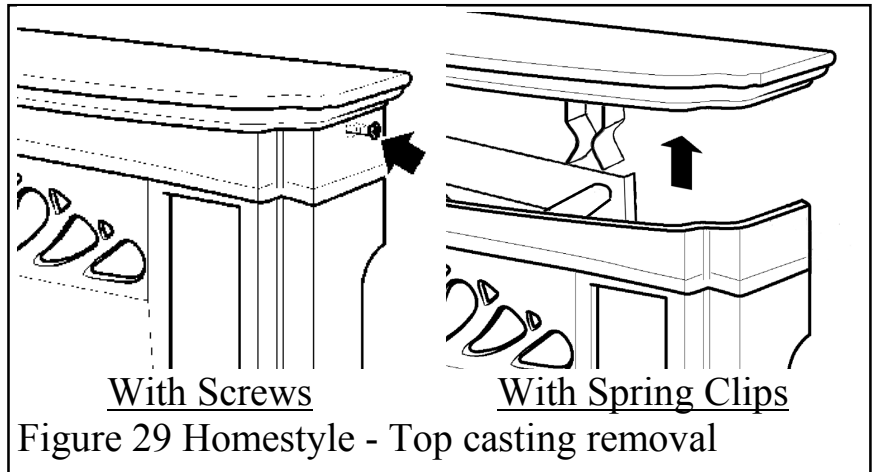


Figure 28 Homestyle - Burner tray front trim

INSTALLER'S GUIDE

7. Fit the tile cassettes by sliding them in the grooves at the back of the front casting and in front of the spring clips. See figure 30.

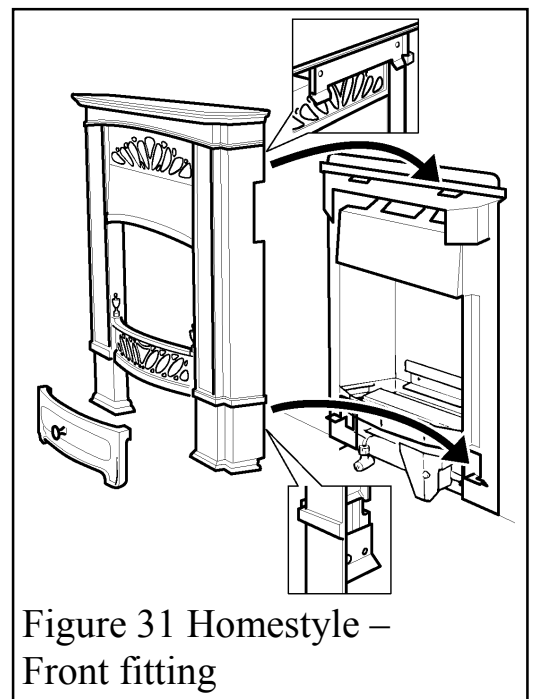
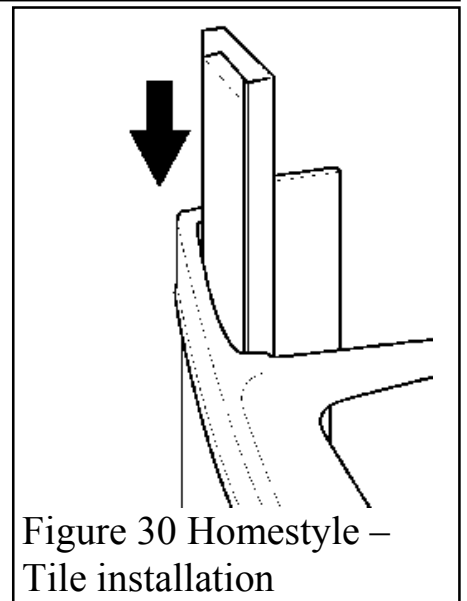
8. The front casting has a location plate at the back near the top and a location bracket near the bottom rear of each vertical



column. These locate into the convection box. Carefully lift the cast front into position squarely with the convection box. Holding the cast front a little above the top surface of the convection box, locate the two lower location brackets into the lower case brackets and the upper location plate into the two slots in the upper case support. Gently lower the cast front making sure that it causes no damage to the hearth or fireplace surround. The cast front should sit squarely on the hearth and against the vertical surface of the fireplace. See figure 31.

9. Replace the top casting and, if applicable, secure by tightening the two screws.

10. Replace the bottom front cover casting by hooking the top corners of the cover over the flanges at the sides of the front casting.



INSTALLER'S GUIDE

9 FITTING THE CERAMICS

1. Fit the ceramic rear wall into the bracket at the back of the firebox .See figure 32.

2. Place the rear base coal in the firebox. It should rest on the ledges at the sides and back of the firebox and its rear face should touch the rear ceramic wall. See figure 33.

3. Place the front base coal in the firebox with its bottom front locating over the front rim of the firebox. Pull the coal forward so that it locates immediately behind the

front rim of the firebox. See figure 34.

4. There are two types of loose coals. These are identified with the letter "A" or "B" on the underside of the coal.

There are three "A" coals and two "B" coals.

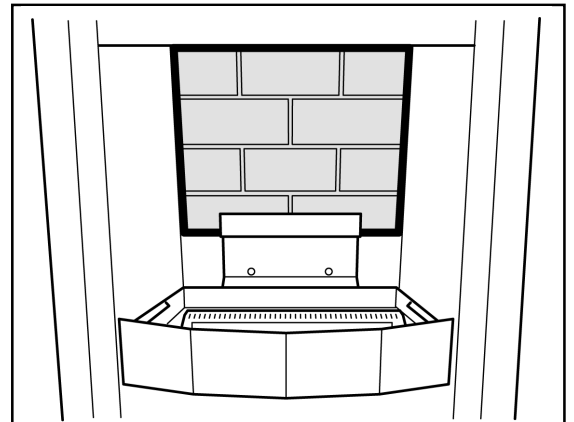


Figure 32 Ceramic Rear Wall Position

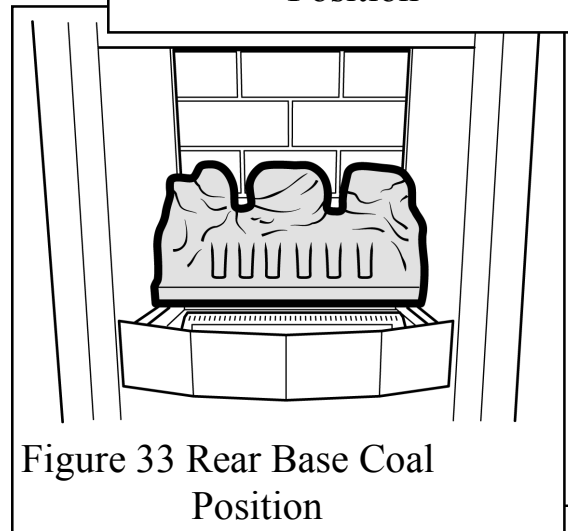


Figure 33 Rear Base Coal Position

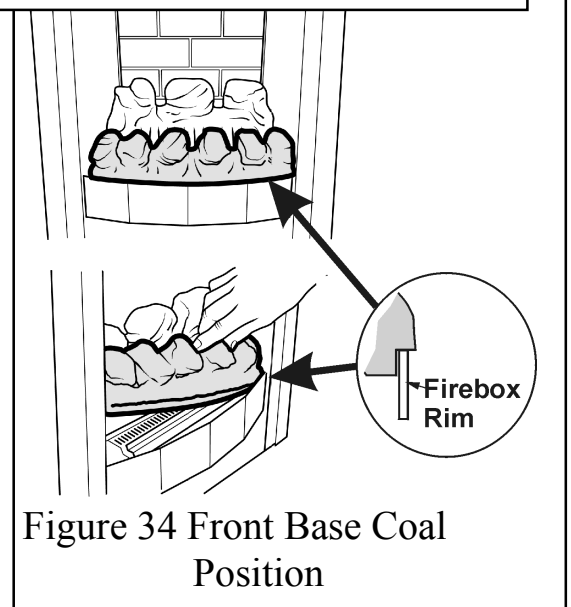
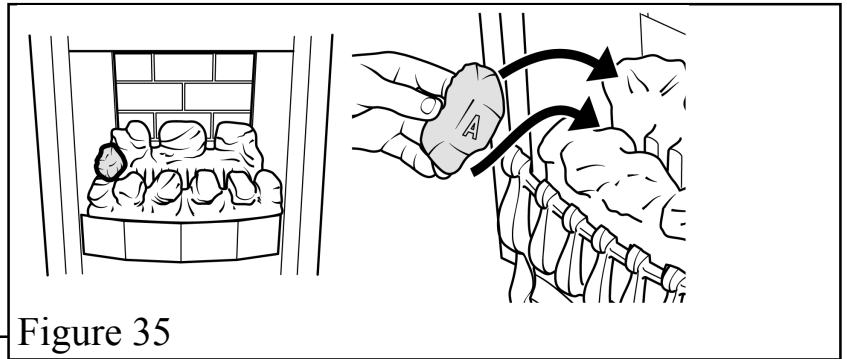


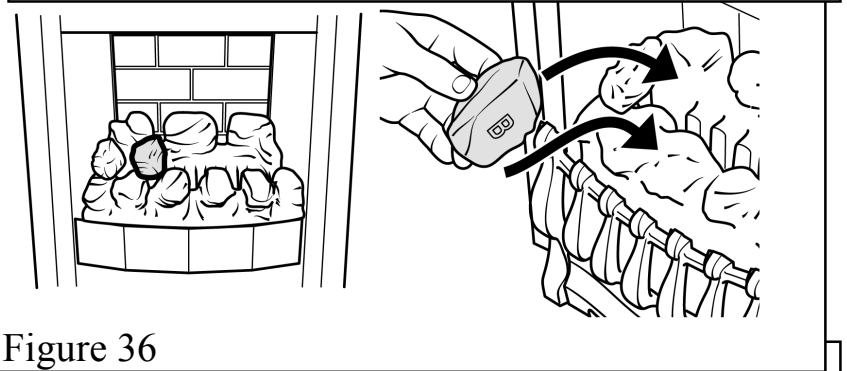
Figure 34 Front Base Coal Position

INSTALLER'S GUIDE

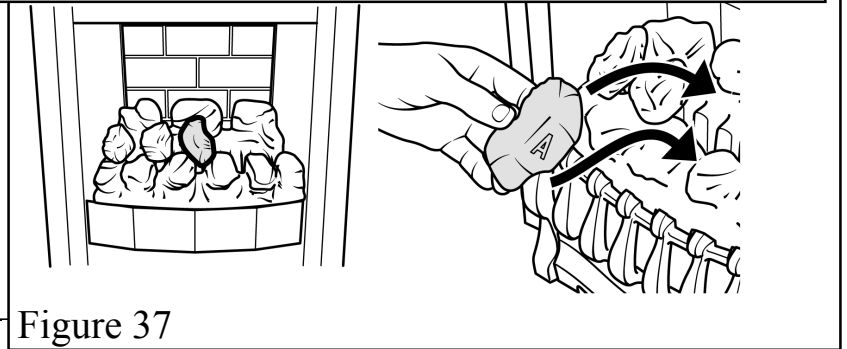
5. Place a type “A” coal between the front and rear base coals with the letter “A” upright and so that the coal is against the left side of the firebox. See figure 35.



6. Place a type “B” coal between the front and rear base coals as shown in figure 36. The letter “B” should be upright.



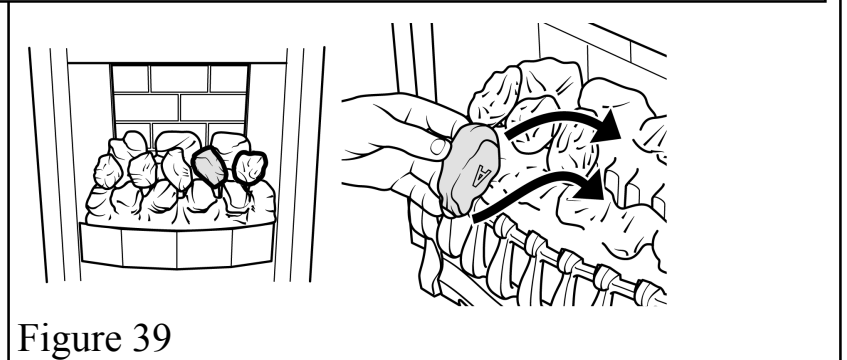
7. Place a type “A” coal between the front and rear base coals with the letter “A” upright. The top of the coal should rest against the centre coal of the rear base coal as shown in figure 37.



8. Place the remaining type “B” coal at the right side of the firebox between the front and rear base coals. The letter “B” should be upright. The coal should touch the right side of the firebox. See figure 38.



9. Place the remaining type “A” coal between the front and rear base coals. The letter “A” should be upside down with its rear face between the right and centre coals of the rear base coal. Angle the coal so that the gap between it and the type “B” coal to its right is appreciably larger than the gap between it and the type “A” coal to its left but do not have it touching the type “A” coal. This will give the best flame effect. See figure 39.



10 FULL OPERATING CHECKS

10.1 Check the **FireSlide** Control

The control position markings on the front surround are shown in figure 40.

Please note that, when operating the fire for the first time, some vapours may be given off which could set off smoke alarms in the vicinity. These vapours are quite normal with new appliances. They are totally harmless and will disappear after a few hours use.

When first turned on from cold, the flames will appear predominantly blue.

1. Make sure the slider button is at the off position (at topmost position marked "O" on the front surround).
2. Open the isolating valve on the inlet elbow.
3. Slide the button to the bottom (ignition) position marked ↓. Retain in this position to ignite the pilot. The burner should ignite at its lowest setting within 4 seconds of the pilot igniting. Keep at this position for a further 10 seconds to allow the pilot flame to stabilise.
4. Release the button. The button should automatically spring up to the low heat position. If the flames go out at this stage or when checking the rest of the setting positions, try the full lighting sequence again. If the flames fail after two attempts, investigate the pilot unit.
5. Gradually slide the button up to increase the burner setting. The burner should be at its maximum setting at the high heat position shown in figure 40. You should feel a check to the button movement at this position.
6. Slide the control button up past the high heat position to the off ("O") position at the top of the slide slot. Both pilot and main burner should go out.
While cooling the coals may make some crackling noises. This is quite normal.
7. Check that the control linkage bar does not interfere with the appliance cable retention nuts or wires.

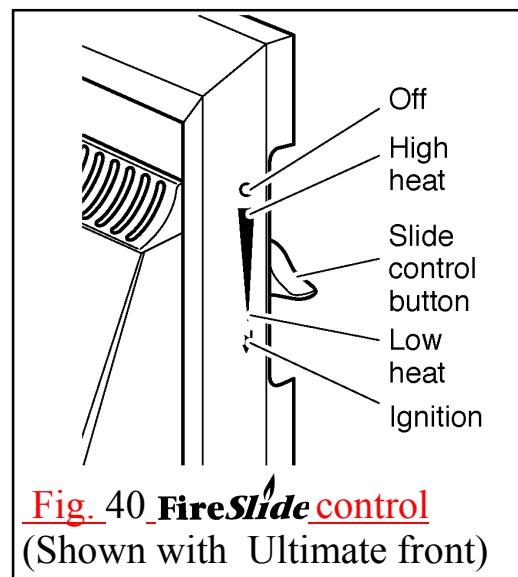


Fig. 40 FireSlide control
(Shown with Ultimate front)

INSTALLER'S GUIDE

10.2 Check For Spillage

A spillage check must be made before leaving the installed appliance with the customer. Make this check with the appliance fully installed with the ceramic fuel effects and front surround in position.

1. Close all doors and windows in the room containing the appliance.
2. Light the appliance and set the slide control to the maximum burning position.
3. Leave the appliance on for five minutes.
4. Place the smoke match tube into the convection box at the right hand side and immediately below the black top cross member. Angle it at approximately 45° to the horizontal.

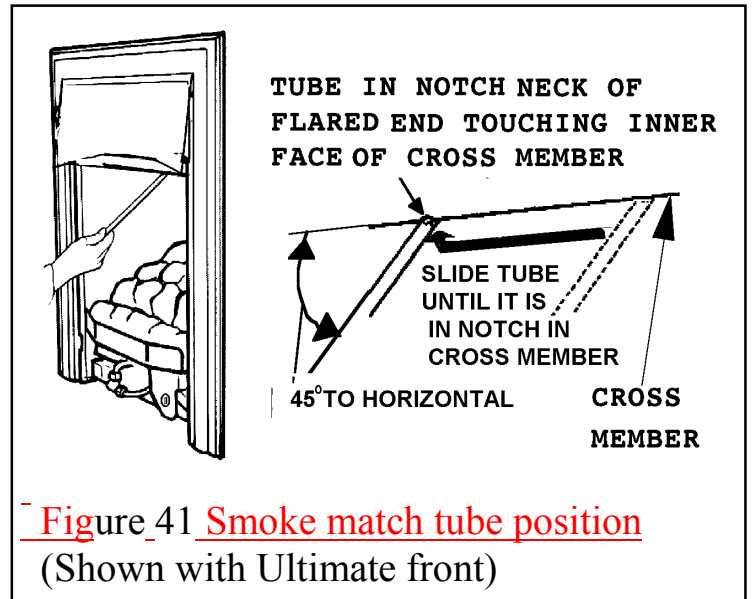
Insert the tube so that the neck of its flared end touches the inside surface of the edge of the cross member - See figure 41.

Keeping the neck of flared end in contact with the edge of the cross member, slide the tube to the left until you feel it enter the notch in the edge of the cross member. Make sure that the tube is pointed upwards at 45° to the horizontal. The installation is satisfactory if the smoke is drawn into the appliance.

If the smoke is not drawn into the appliance leave the appliance alight at the maximum setting for a further ten minutes and then repeat the test. If the smoke is still not drawn into the appliance inspect the sealing to the fireplace surround. If the sealing is satisfactory but the appliance is installed with the flue restrictor (see section 5.6) remove the restrictor, reseal the appliance and retest. If smoke is still not drawn into the appliance **disconnect the appliance and seek expert advice.**

5. If the above test is satisfactory open all internal connecting doors, hatches, etc. in the room. Keep all doors and windows that open to the outside of the building closed. Recheck for spillage as above. If an extractor fan is installed in the same room as the appliance or a connecting room, check that spillage does not occur with the fan operating and all doors and other openings between the fan and the appliance open.

If the smoke is drawn into the appliance, continue with the installation. If the test is not satisfactory **disconnect the appliance and advise the customer of the cause of failure.**



10.3 Flame Supervision & Spillage Monitoring System

This pilot unit includes a system which will automatically shut off the gas supply if the pilot flame goes out or if there is insufficient oxygen due to spillage or poor ventilation. Check that the system operates properly as follows;

1. Light the appliance. Set the slide control to the maximum burning position and leave for one minute.
2. Slide the control to the off ("O") position to extinguish the pilot. **Note the time when the pilot goes out.** Listen for a snap sound at the gas tap. **Note the time when the sound is heard.** This sound is caused by an electromagnetic valve shutting off the gas supply through the tap. The valve is located in the body of the tap. The valve should operate **within 60 seconds of the pilot going out.** If the valve does not operate within this time limit do not allow the appliance to be used until the fault has been corrected.

This monitoring system must not be adjusted, bypassed or put out of operation. This monitoring system or any of its parts, must only be exchanged using Valor authorised parts.

INSTALLER'S GUIDE

11 FINAL REVIEW

1. Fit the fire front casting to the front surround. Locate the two screw heads at the rear top corners of the casting through the keyhole slots at the inner sides of the surround. If the screw heads do not project enough or project too far, the screws can be adjusted. Lower the casting so that it rests on the hearth. See figure 42.



Fig. 42 Fire front casting location

2. Place the bottom front cover casting in position below the fire front casting.

3. Visually inspect the appliance. Clean off any marks incurred during installation.

4. Advise the customer how to operate the appliance. Point out that lighting instruction details are on the metal plate attached at the bottom of the appliance (Leave the plate visible in front of the bottom front cover as a reminder).

5. Explain to the customer that the appliance has a flame failure & spillage monitoring system. Point out the explanation of this system shown in the users instructions under "Operating the fire". Advise that if the fire goes out for any reason, wait at least three minutes before relighting. Stress that if the monitoring system repeatedly shuts off the fire, the appliance should be switched off and a specialist should be consulted.

6. Advise the customer that they should read their Owner's guide before operating the fire and always follow the advice in the section headed "Cleaning".

7. Stress that no extra coals must be added over and above those supplied with the appliance and that any replacements must only be the authorised spares. Warn that ignoring this advice could cause incomplete clearance of the products of combustion with consequent health hazards.

8. Advise the customer that the appliance will operate to its maximum potential if the flue is primed during the first 20 – 30 minutes of use. To do this, simply slide the control to its highest setting. This will also burn off any carbon deposits that may have formed during previous use.

If using the appliance for long periods it is beneficial to change between settings. This will also help to remove any carbon deposits that may form during use.

9. Recommend that the appliance should be serviced by a competent person (In the UK preferably a CORGI registered person) at least annually.

If the appliance is in premises in the United Kingdom occupied by a tenant, point out that by law a landlord must have any gas appliance, flue and pipework which is situated in a tenant's premises checked for safety at least every 12 months.

10. Advise that the fire may give off a slight odour while new. This is quite normal and it will disappear after a short period of use.

11. Hand the literature pack with this guide to the customer.

INSTALLER'S GUIDE

12 SERVICING & PARTS REPLACEMENT

Always turn off the gas supply before commencing any servicing (The appliance inlet “T” connector incorporates an isolating valve).

It is recommended that, at least once a year, the appliance is disconnected and the fireplace opening checked and cleared of any debris.

This product uses fuel effect pieces, burner compartment rear wall and gaskets containing Refractory Ceramic Fibres (RCF), which are man-made vitreous silicate fibres. Excessive exposure to these materials may cause temporary irritation to eyes, skin and respiratory tract. Consequently, it makes sense to take care when handling these articles to ensure that the release of dust is kept to a minimum. To ensure that the release of fibres from these RCF articles is kept to a minimum, during installation and servicing we recommend that you use a HEPA filtered vacuum to remove any dust and soot accumulated in and around the fire before and after working on the fire. When replacing these articles we recommend that the replaced items are not broken up, but are sealed within a heavy duty polythene bag, clearly labelled as RCF waste. This is not classified as “hazardous waste” and may be disposed of at a tipping site licensed for the disposal of industrial waste. Protective clothing is not required when handling these articles, but we recommend you follow the normal hygiene rules of not smoking, eating or drinking in the work area and always wash your hands before eating or drinking.

- Check that the appliance is clean and that soot or debris is not blocking the gaps between the coals causing an imperfect flame.
- Check that soot or debris is not impairing the electrode spark or pilot burner.
- Check that soot or debris is not blocking any of the slots in the main burner.
- After servicing, make sure that the ceramic rear wall and coals are replaced correctly as described in the installation instructions.
- **Always test for gas soundness and spillage after servicing the appliance.**

12.1 To Remove the Ignition Microswitch

See figures 43 & 44.

The ignition microswitch is stamped V4NT9C4YC

1. Remove the bottom front cover and the fire front casting.
2. Detach the microswitch cover by removing one screw and pulling clear of the location lug. See figure 43.

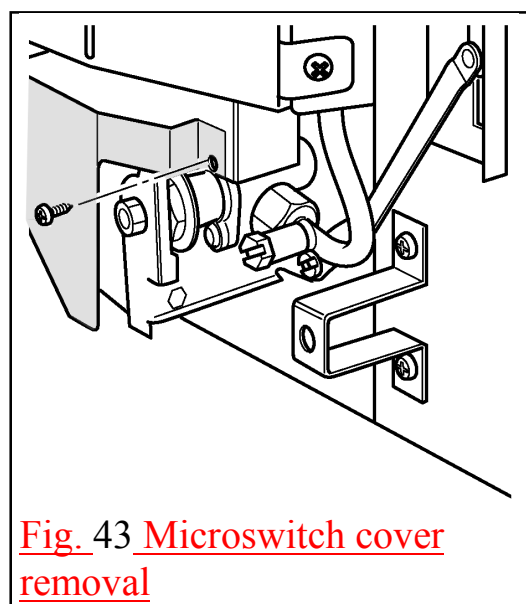


Fig. 43 Microswitch cover removal

INSTALLER'S GUIDE

3. Disconnect the leads from the ignition microswitch (The lower of the two microswitches - See figure 44).
4. Detach the microswitch and insulation pad by removing two screws.
5. Replace in the reverse order. Check that the microswitch operates correctly by fully closing it and observing that there are sparks at the pilot electrode.

12.2 To Remove the Gas Shut-Off Microswitch

See figures 43, 44 & 45.

The gas shut-off microswitch is stamped V4NT9C2YCGPX or V4NT9C2YCAUX.

1. Remove the bottom front cover and the fire front casting.
2. Detach the microswitch cover by removing one screw and pulling clear of the location lug. See figure 43.
3. Loosen the thermocouple nut to free the microswitch leads and pull the leads clear of the thermocouple interrupter block. See figure 45.
4. Detach the microswitch assembly by removing two screws. See figure 44.
5. Replace in the reverse order. When refitting the leads to the interrupter block, make sure that they are secured firmly to give a good electrical contact.

12.3 To Remove the Fire Front Surround – Ultimate Fireslide & Colourway Models

1. Remove the bottom front cover casting.
2. Lift the fire front casting up and forward to release the locating screw heads at the back of the casting from the keyholes in the surround sides. Lift the casting clear.
3. Remove the two screws securing the bottom of the front surround to the sides of the convection box. See figure 46.
4. Raise the front surround to allow the retaining lugs at the top to clear the slots in the convection box hood. See figure 46. Carefully remove the

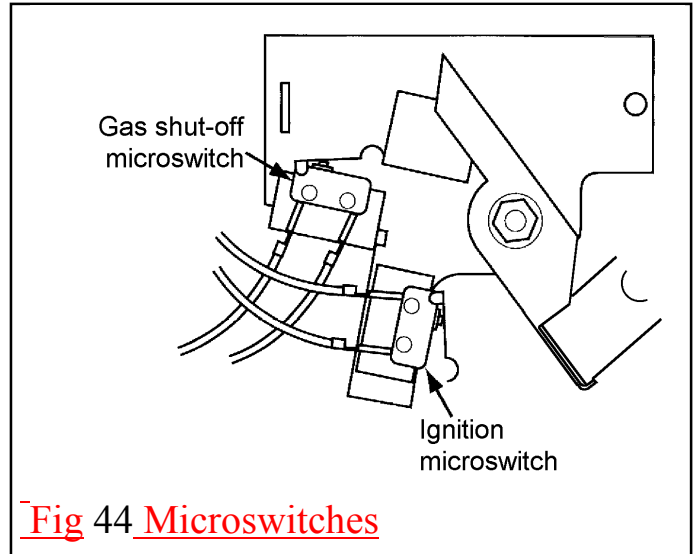


Fig 44 Microswitches

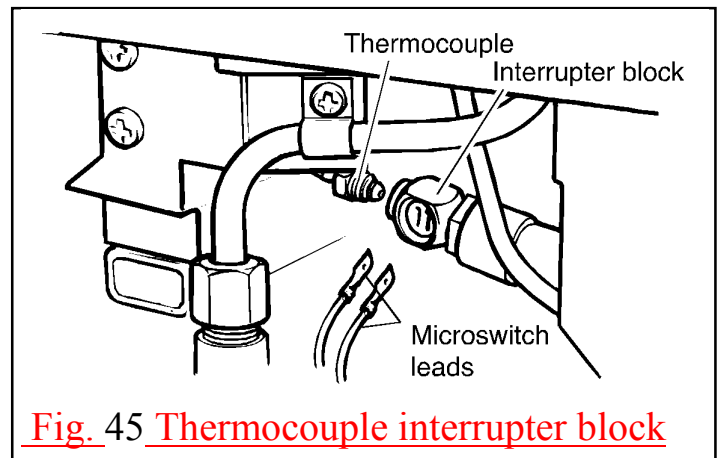


Fig. 45 Thermocouple interrupter block

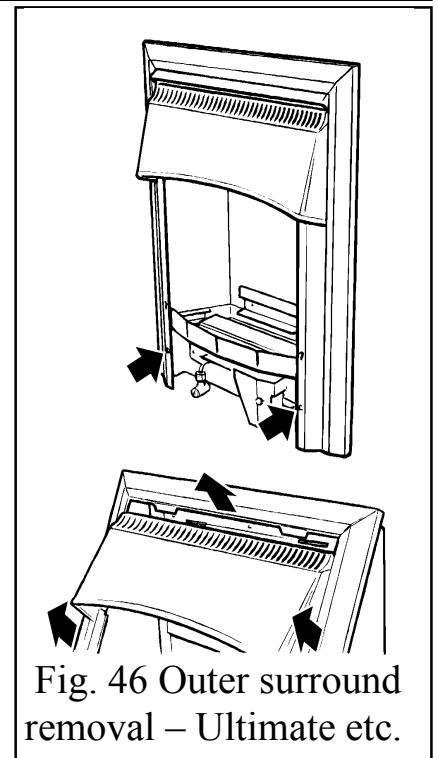


Fig. 46 Outer surround removal – Ultimate etc.

INSTALLER'S GUIDE

surround. Place carefully aside.

5. Refit as follows:-

1. Locate the two lugs at the top of the front surround in the slots in the convection box hood. Swing the bottom of the surround sides back against the convection box and lower the surround so that the lugs are fully seated in the slots in the convection box hood.
2. Fit the two screws to secure the surround sides to the convection box brackets.

12.4 To Remove the Fire Front Surround – Homestyle Models

The Homestyle front casting weighs around 20kg (44lbs). To avoid any risk of injury, if you have any doubt about your ability to safely lift this front, ask someone to assist you.

1. Remove the bottom front casting by lifting slightly to clear the locations at the top corners of the bottom casting.
2. Raise the front casting unit so that the bottom location brackets and the top location plate are released from the locations in the main fire case. See figure 47.

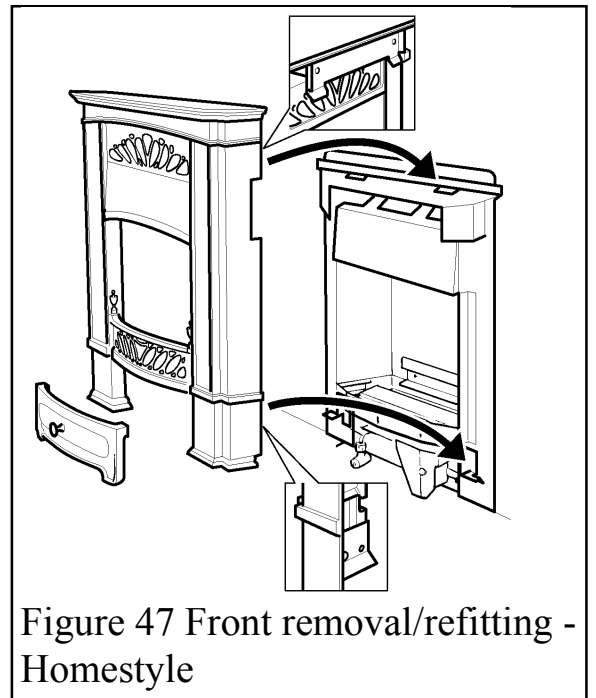


Figure 47 Front removal/refitting - Homestyle

12.5 To Replace Tiles – Homestyle Models

1. The top casting will have to be removed to insert the tile set. Some appliances have the top casting secured to the sides by screws. Other appliances have the top secured by spring clips. If the top is screwed to the sides unscrew the two screws at the top of the side castings until they are loose enough to allow the top to be lifted off. There is no screw thread in the top casting, only in the side castings - See figure 48. If no screws are visible the top can be removed by pulling it firmly upwards to release the spring clips - See figure 48.

2. Remove the complete tile cassette by sliding the cassette channel up and out of the front casting. See figure 48. Alternatively,

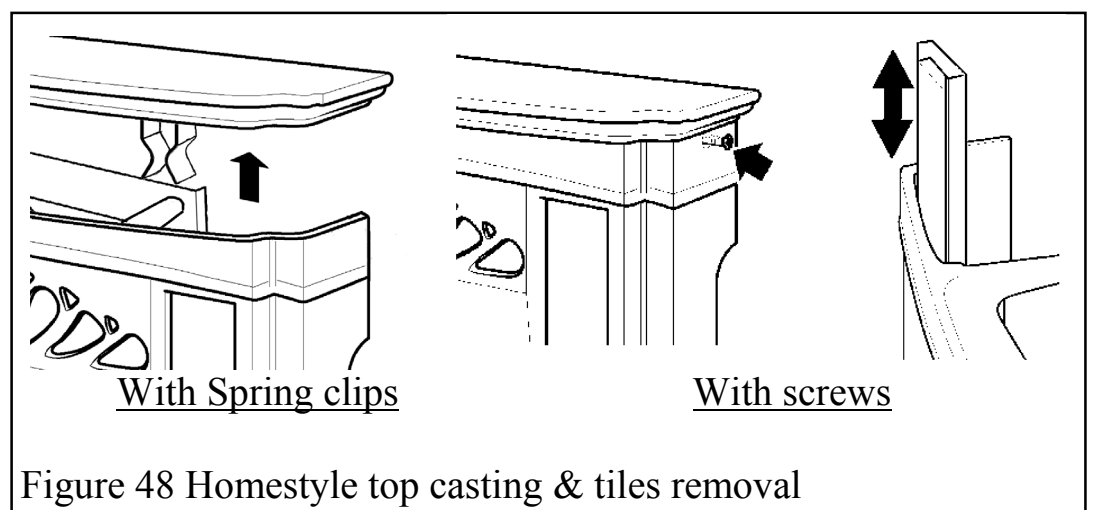


Figure 48 Homestyle top casting & tiles removal

INSTALLER'S GUIDE

remove the tiles individually by sliding them up out of the cassette channel. This second method will have to be employed if a shelf above the fire is too low to enable the channel to be slid clear.

12.6 To Replace the Control Slide Knob

1. Remove the front surround - See section 12.3 or 12.4.
2. Detach the slider knob from the slider bar (Colourway & Homestyle models - detach from the extension bracket). See figure 49.
3. Refit in the reverse order.

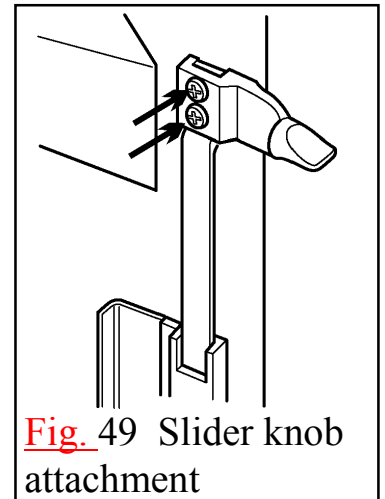


Fig. 49 Slider knob attachment

12.7 To Remove the Burner Unit

1. Remove the bottom front and fire front castings and the front surround - See section 12.3 or 12.4.
2. Remove the five loose coals, the front base coal and the rear base coal.
3. Disconnect the control linkage by removing the knurled screw which connects the control linking bar with the control pivot unit. See figure 50.
4. Support the inlet isolating elbow to avoid straining the pipework and disconnect the appliance from the elbow.
5. Remove the burner assembly by removing the three fixing screws, one at each end of the burner tray and one next to the igniter unit. See figure 51. Carefully remove the burner assembly.
6. Refit in the reverse order.

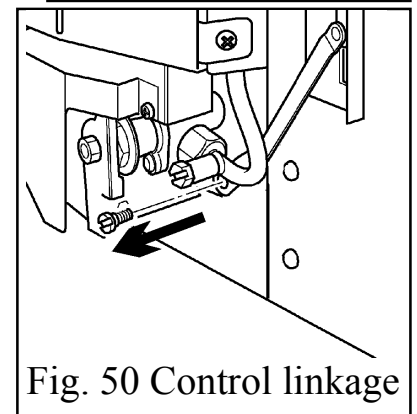


Fig. 50 Control linkage

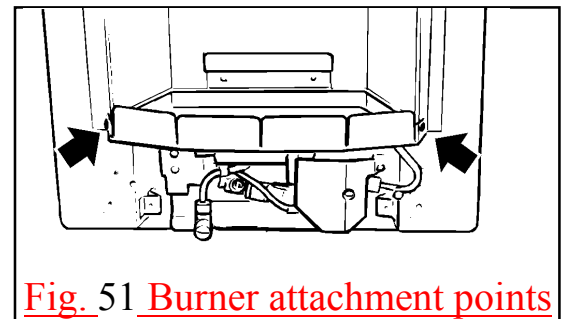


Fig. 51 Burner attachment points

12.8 To Remove the Electronic Ignition Generator

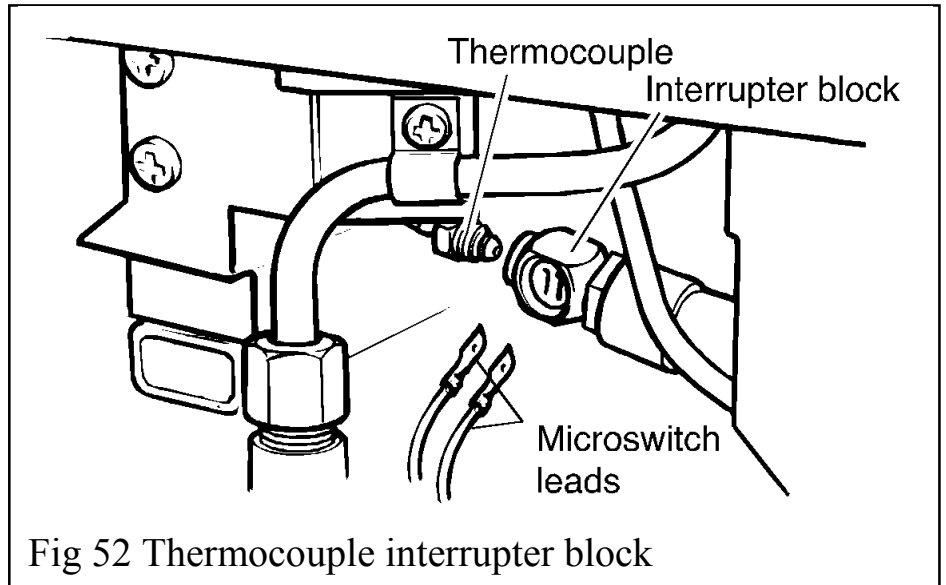
1. Remove the bottom front and fire front castings. and front surround - See section 12.3 or 12.4.
2. Remove the battery.
3. Remove the burner unit – see section 12.7.
4. Remove the two leads to the switch and remove the spark lead, marking them if necessary to ensure that they are replaced on to the correct terminals.
5. Remove the two fixing screws that attach the generator unit to the bracket. The igniter generator can now be exchanged.
6. Refit in the reverse order.

INSTALLER'S GUIDE

12.9 To Remove the Thermocouple Interrupter Block

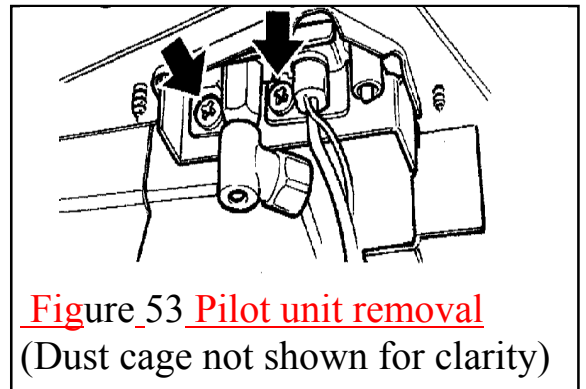
See figure 52.

1. Remove the bottom front cover
2. Detach the thermocouple from the interrupter block by unscrewing the thermocouple nut.
3. Detach the two microswitch leads from the interrupter block.
4. Remove the interrupter



block by unscrewing from the gas shut-off tap.

5. Refit in the reverse order. If the microswitch leads cannot be easily attached to the interrupter block when it is fully tightened to the gas shut-off tap, slacken it and rotate to allow the leads to be fitted. Retighten making sure that the leads remain in place in the interrupter block. Fit and tighten the thermocouple nut making sure that the leads are secured in the interrupter block to give a good electrical contact.



12.10 To Remove the Pilot Unit

1. Remove the burner unit - See section 12.7.
2. Detach the pilot pipe from the gas shut-off tap.
3. Detach the thermocouple from the interrupter block by unscrewing the thermocouple nut.
4. Detach the electrode lead from the underside of the electrode tab.
5. Remove the first screw securing the dust cage to the pilot unit & burner. Carefully remove the dust cage and place aside. See figure 53.
6. Remove the second screw securing the pilot unit to the burner. Remove the pilot unit and place it aside. See figure 53.
7. Disconnect the pilot pipe from the pilot unit elbow.

INSTALLER'S GUIDE

8. Refit in the reverse order.

- Note: 1. The pilot unit is an atmosphere sensing device. It must be replaced as a whole assembly. Its individual components are not separately replaceable.*
- 2. Once removed, ensure that the dust cage is cleaned before refitting. Make sure that it locates squarely onto the pilot unit without any gaps between the cage edges and the pilot unit.*
 - 3. When the thermocouple is removed from the interrupter block, the microswitch lead terminals in the interrupter block will be loose. Make sure that they are properly secured to give a good electrical contact when retightening the thermocouple nut.*

12.11 To Remove the Shut-Off Tap

See figure 54.

1. Remove the burner unit - See section 12.7.
2. Turn the burner unit upside down. Detach the thermocouple and interrupter block from the tap - See section 12.9 paragraphs 2 - 4.
3. Detach the pilot pipe from the tap.
4. Detach the inlet pipe.
5. Remove the hexagonal nut securing the tap to the mounting bracket.
6. Detach the elbow by unfastening the hexagonal nut connecting it to the flow rate controller. Lift the tap (complete with elbow) clear.

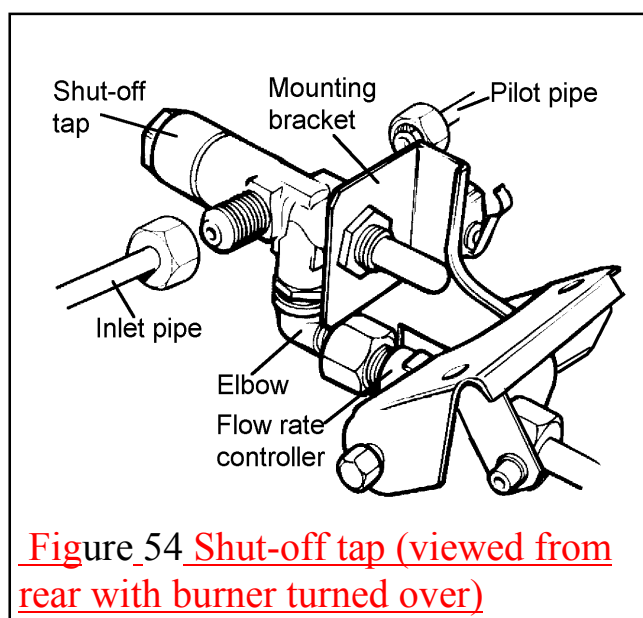


Figure 54 Shut-off tap (viewed from rear with burner turned over)

7. Loosen the hexagonal locknut securing the elbow to the tap. Remove the elbow by rotating it.

8. If fitting a new tap, remove the hexagonal nut at the mounting bracket end of the old tap and fit to the replacement tap. Prior to refitting the elbow to the shut-off tap, apply an approved sealant to the elbow thread. Refit in the reverse order.

Refer to figure 55 to ensure accurate refitting dimensions of the valves and subsequently into the mounting bracket. When refitting, make sure that the tap spindle is in the correct relationship relative to the control pivot bracket. Rotate the pivot bracket fully clockwise. The tap spindle should “bottom out” (i.e. the tap should be fully open) after the pivot bracket has actuated the ignition microswitch but before it has pushed the microswitch leaf against the microswitch body.

When refitting the thermocouple and interrupter block, make sure that the microswitch wires are properly secured to give a good electrical contact.

INSTALLER'S GUIDE

12.12 To Remove the Gas Flow Rate Controller

See figure 56.

1. Remove the burner unit - See 12.7.
2. Detach the microswitch cover - See section 12.1 paragraph 2.
3. Detach the shut-off tap as detailed in section 12.11 paragraphs 2-6.
4. Detach the burner pipe from the controller. Support the controller while detaching to prevent excessive strain.
5. Remove the nut and washer securing the control pivot bracket to the controller at the front. Support the pivot bracket while removing the nut to prevent possible damage to the microswitch.
6. Remove the hexagonal bolt securing the control pivot bracket to the controller at the rear.
7. Detach the control pivot bracket.
8. Remove the hexagonal nut securing the controller to the front mounting bracket and remove the flow rate controller.
9. Refit in the reverse order.

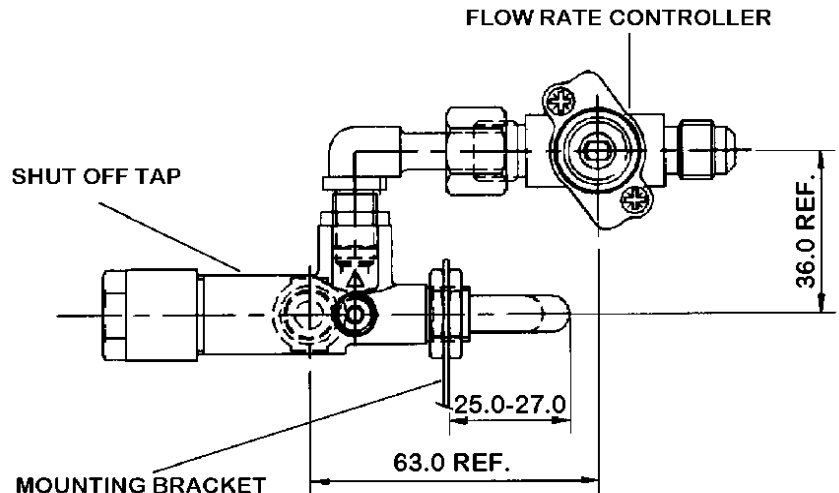


Figure 55 Refitting dimensions of valves into mounting bracket

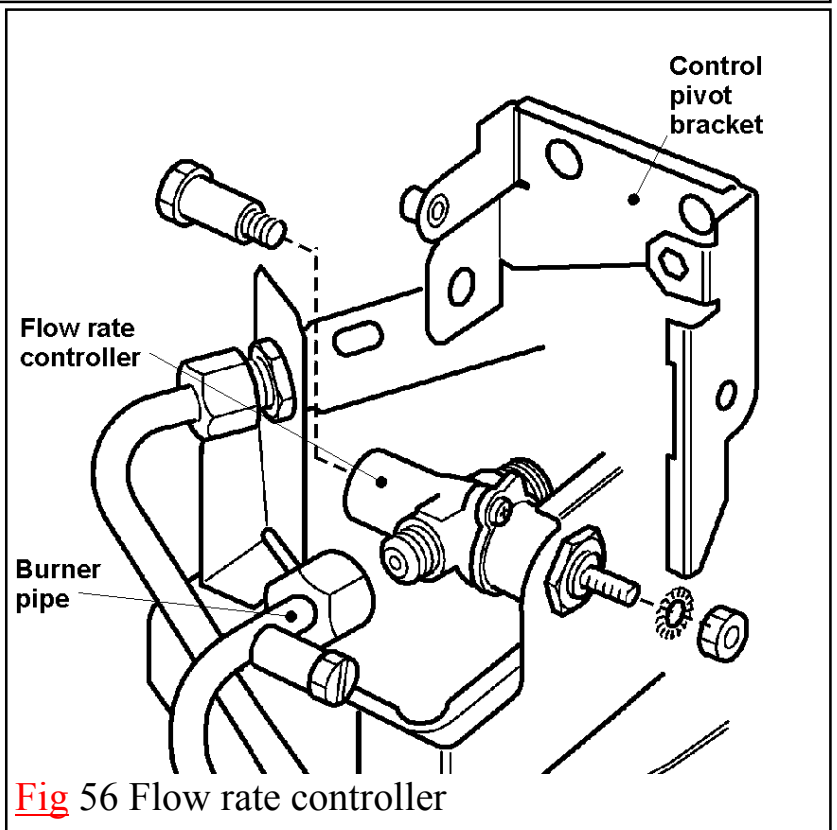


Fig 56 Flow rate controller

12.13 To Remove the Main Burner Injector

See figure 57.

1. Remove the burner unit - See section 12.7.
2. Disconnect the main burner pipe from the injector at the venturi end. If necessary, loosen the pipe at the flow rate controller end to swing the pipe clear of the injector.
3. Unscrew the injector from the rear support bracket.
4. Refit in the reverse order.

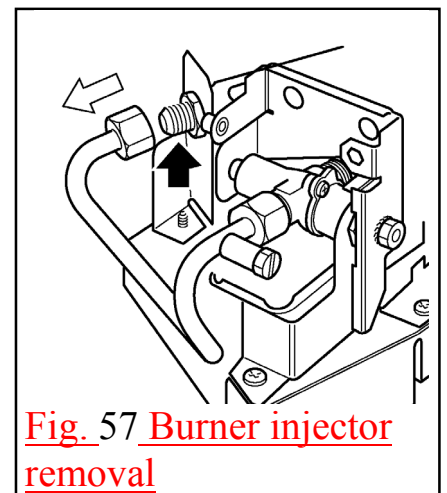


Fig. 57 Burner injector removal

INSTALLER'S GUIDE

12.14 To Replace Burner Plaques

See figure 58.

1. Remove the five loose coals, front base coal and rear base coal.

The plaques can be then be removed as follows without detaching the front surround or front casting.

2. Remove the plaque clamping strips by detaching six screws.

3. Remove the plaques and the combination gasket between and under the plaques. If necessary remove the gauze and the gasket beneath it.

4. If necessary fit a new gasket below the gauze. Clean and replace the gauze. Fit a new combination gasket below the plaques. Push the gasket ends inwards to form a dividing gasket between the plaques.

5. Place the new left hand plaque in position. The left side of the plaque must touch the inside edge of the retaining flange at the left side of the burner well.

6. Place the new right hand plaque in position. Make sure that the centre section of the combination plaque is between the two plaques. If there is any play between the plaques and the end retaining flanges, push the plaques firmly to the left squeezing the centre section of the combination gasket between the two plaques. Any gap should be between the right side of the plaque and the right side retaining flange.

7. Fit the front and rear plaque clamping strips. Make sure that the plaques are as far to the left as possible. **It is important that the left side plaque is accurately positioned so that it has the correct relationship to the pilot.** Fully tighten the clamping strips.

8. Refit the ceramic fuel effects and walls as described in section 9 of this manual.

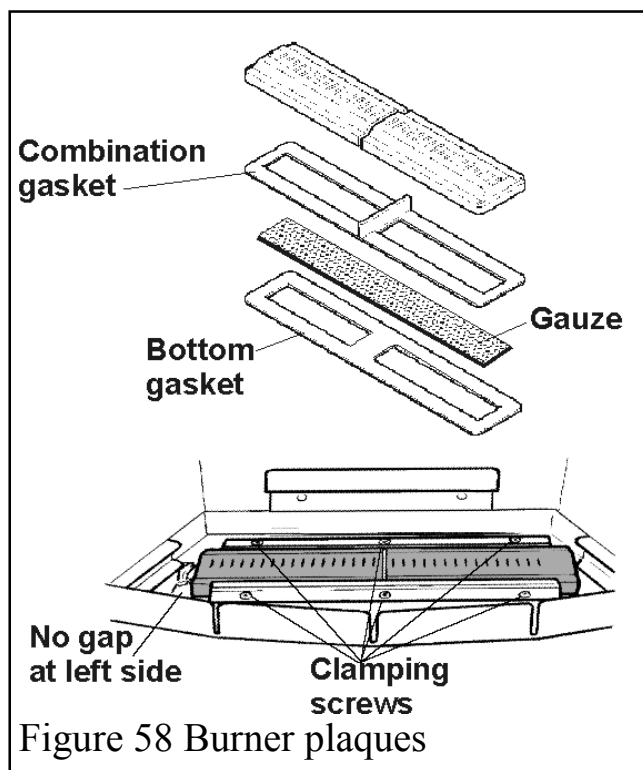


Figure 58 Burner plaques

12.15 To Remove the Appliance from the Fireplace

1. Remove the five loose coals, front base coal and rear base coal.

2. Remove the front surround unit - See section 12.3 or 12.4.

3. If the appliance is fixed to the fireplace floor remove the burner unit (See section 12.7) and remove the two floor fixing screws.

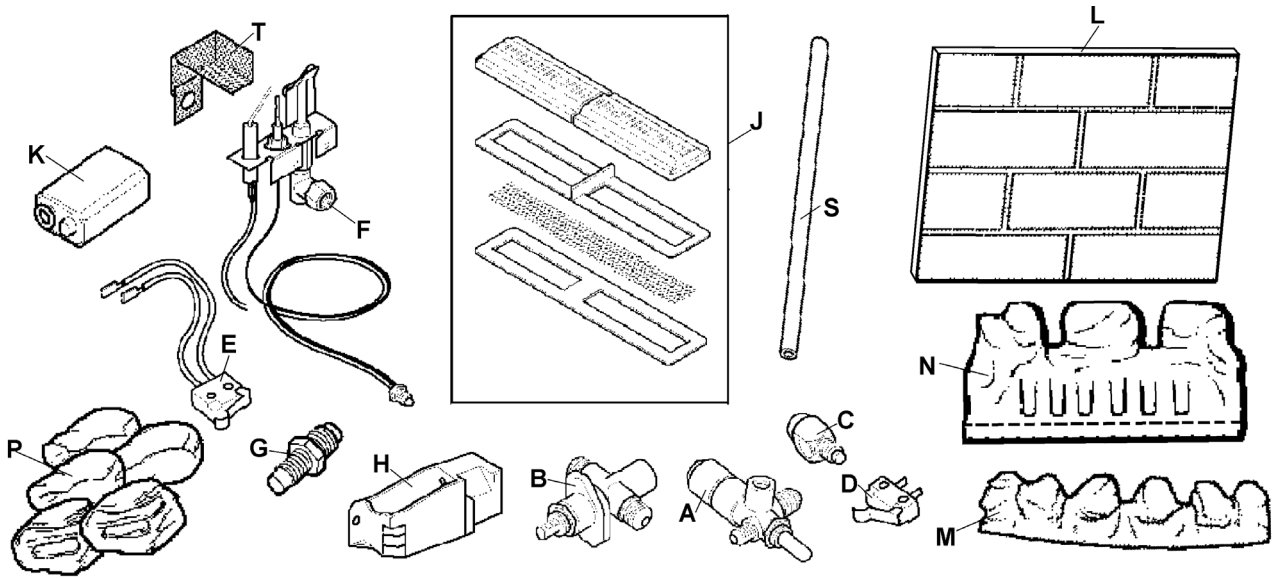
4. If the appliance is attached by the front fixing method (See section 6.1), remove the four screws attaching the convection box side flanges.

5. If the appliance is fixed by the cable method (See section 6.2), slacken the hexagonal adjusters on the cable retainers and unscrew the thumbscrews to release the cables.

6. Refit as described in the relevant installation sections. Make sure gas soundness, sealing, spillage test and performance are satisfactory.

INSTALLER'S GUIDE

13 SHORT LIST OF SPARES



KEY NO.	DESCRIPTION	NO. OFF	MAKER'S PART NO.
A	Shut-off tap	1	540899
B	Gas flow rate controller	1	540919
C	Thermocouple interrupter block	1	522389
D	Ignition microswitch	1	540959
E	Gas shut-off microswitch	1	540969
F	Pilot unit - <i>For Natural Gas Appliances</i>	1	540979
	Pilot unit - <i>For Propane Gas Appliances</i>		544929
G	Injector Bray cat 18 size 400 - <i>For Natural Gas Appliances</i>	1	569519
	Injector Bray cat 18 size 170 - <i>For Propane Gas Appliances</i>	1	571709
H	Igniter unit	1	554949
J	Burner plaque & gasket set	1	569439
K	Battery 9V Size "PP3"	1	553389
L	Ceramic rear wall	1	579339
M	Front coal	1	579119
N	Rear base coal	1	579129
P	Pack of loose coals	1	579149
S	Smoke match tube	1	541169
T	Dust cage	1	567619
-	Installation template (Not illustrated)	1	564759