

# Wonderfire

## AIRFLAME EXCEL MK.3

AF 18XL	9500360
AC 18XL	9500361

### USER MANUAL

Patent applied for

Please leave these Instructions with the user

This appliance is for use in the United Kingdom (GB) and the Republic of Ireland (IE) only.

## PLEASE NOTE

1. The Wonderfire Airflame Excel is to be used only with the type of gas for which it was supplied. Never attempt to use the appliance with other gas types.
2. Always use a fireguard complying with BS6539 or BS6778 for the protection of the young, elderly, or infirm.
3. The fire is lit by a Piezo electronic spark unit. Batteries and electrical supply are not required.
4. An odour may be noticeable when your fire is first lit. This is due to the newness of certain materials used in the manufacture and will disappear after a few hours of use.
5. Never throw paper, ash, or any other materials onto your fire.
6. The chimney should have been thoroughly swept prior to installation.
7. The chimney should be checked annually to ensure continued clearance of combustion products, and that no soot or debris has built up behind the appliance.
8. Your fire should be checked annually by a competent person according to the maintenance requirements in the installation manual and in accordance with the Gas Safety (Installation and Use) Regulations 1994 (as amended) or the rules in force.
9. Ensure that any purpose made room ventilation is kept free from obstruction.
10. This appliance is fitted with an A.S.D. (Atmosphere sensing device). If the appliance shuts down after a period of operation for no apparent reason, then stop using the appliance until the installation and the appliance have been thoroughly checked by a competent person.
11. Installation must be in accordance with the installation instruction and the rules in force.
12. If the fire goes out for any reason, wait at least three minutes before attempting to re-light.

### The Hearth

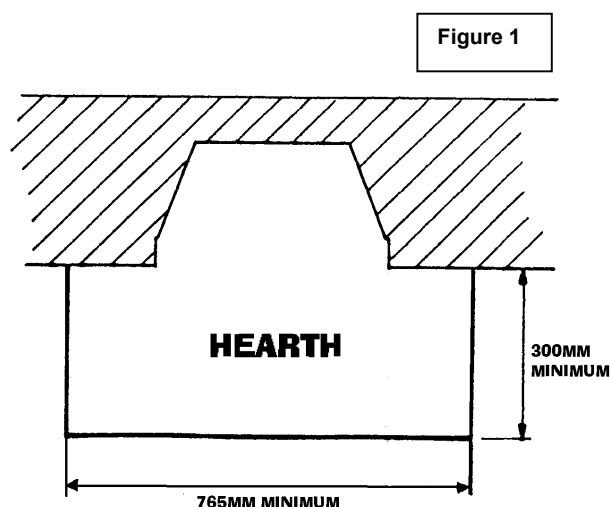
**NOTE:** Hearth requirements in Figure 1. The appliance must be mounted behind a non-combustible hearth (N.B. conglomerate marble hearths are considered as non-combustible). The appliance can be fitted to a purpose made proprietary class "O"-150°C surround. The hearth material must be at least 12mm thick. The periphery of the hearth (or fender) should be at least 50mm above floor level to discourage the placing of carpets or rugs over it.

The surface of the hearth must be sufficiently flat to enable the bottom of the front surround and the bottom front cover to be aligned horizontally. Any excessive unevenness (uneven tiles, Cotswold stone, etc.) should be rectified. The appliance must not stand on combustible materials or carpets.

### Shelf Clearances

The minimum height from the top surface of the hearth to the underside of any shelf made from wood or other combustible materials is as follows:-

- For a shelf up to 150mm deep : Minimum height = 818mm.
- For a shelf deeper than 150mm : 818mm + 12.5mm for every 25mm depth over 150mm.



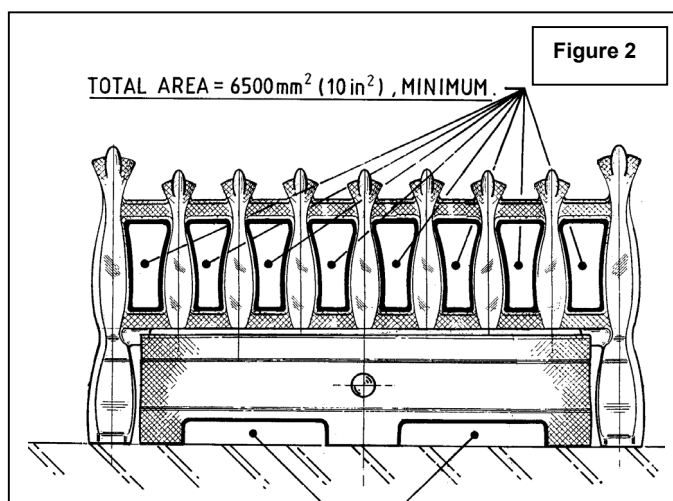
### Ventilation requirements

**Note:** see convector instructions if being installed within a Wonderfire convector box for ventilation requirements.

**GB** A permanent ventilation grille of fixed design and having a minimum free area of 100cm<sup>2</sup> must be fitted with direct access to outside air to room.

**IE** Ventilation must be in accordance with IS 813 1996 (as amended)

**Please note:** This appliance is not supplied with a decorative firefront. A slotted firefront with a minimum free area as shown in figure 2 must always be used.



## **OPERATION OF THE FIRE**

This fire is controlled by a four position gas tap mounted in the front of the appliance. In addition to the OFF setting there is a pilot position and two heat control settings.

### To Light the Pilot

Ensure that the control knob is turned to the OFF position. Depress the control knob and turn anticlockwise until the IGNITION position is reached, continue turning the knob to activate the piezo ignition. Two 'clicks' will be observed, and the pilot should ignite. Hold the knob in this position (keeping it depressed) for ten seconds to allow the flame supervision device to establish.

Observe if it alight by looking through the slots to the left hand end of the front coals.

If the pilot does not light immediately, repeat the above procedure, keeping the knob depressed for several seconds in order to purge any air from the system.

If after ten seconds, ignition has not occurred, turn the control knob back to the OFF position and repeat the ignition procedure after 3 minutes.

Once the pilot is lit, keep the control knob depressed for ten seconds to allow the flame supervision device to establish.

When the control knob is released, the pilot should remain lit. If the pilot fails to remain lit, repeat the ignition procedure, this time keeping the control knob depressed for a longer period of time.

### Lighting the Main Burner

Once the pilot light is established the main burner can be lit by turning the control knob anticlockwise to the HIGH position.

### Controlling the heat setting.

In order to change from one setting to another depress the control knob slightly and turn the knob to the required position. Alternatively, if a setting between LOW and HIGH is required, then the control knob may be turned to this position.

**Note:** We recommend you use the appliance at a low setting for the first few hours of use to reduce the thermal cracking of the surface of the burner.

Surface cracking of the burner is normal and is no cause for concern. Whilst binding materials are being burnt out of the burner there may be a slight odour.

#### To Turn the Fire back to Pilot Setting

Depress control knob and turn clockwise until pilot setting is reached.

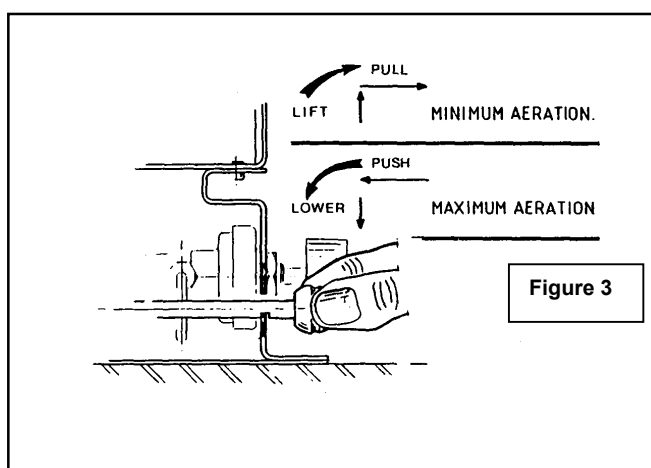
To Turn the Fire OFF Ensure control knob is in pilot position, depress control knob and turn clockwise to the OFF position.

#### For fires fitted with Aeration control

For appliances fitted with variable aeration control, the lighting and adjustment procedures are as normal. To operate the aeration control system, the following procedure should be followed:

- Allow the appliance to warm up, (for at least fifteen minutes) in the fully aerated position, with the control lever pushed in to the locked position – see figure 3.
- Switch to the minimum aerated position by slightly lifting the control lever. A spring mechanism will close the aeration shutter.
- To return to the fully aerated position push the control lever in and slightly downwards until it rests in its locked position.

**Please note :** It is advisable to run the fire in its fully aerated mode (control knob pushed in) at the beginning of each operation and if running at the minimum rate setting, or to burn off any carbon deposits which may have built up after prolonged use of the minimum aerated setting.



## CLEANING

**Note:** Before attempting any of the following ensure that the fire has been allowed to cool completely.

**Note:** Some discoloration of the coals is normal.

The cast parts of the fire should be carefully cleaned with a lint free damp cloth. On no account should any metal polish or similar be used as this may prove harmful to the surface.

The coals should normally require no maintenance between the annual inspection described in the installation and maintenance instructions. However, if your fire is used frequently the coals may need cleaning. The coals should be removed and any sooting carefully removed from the surface with a soft brush.

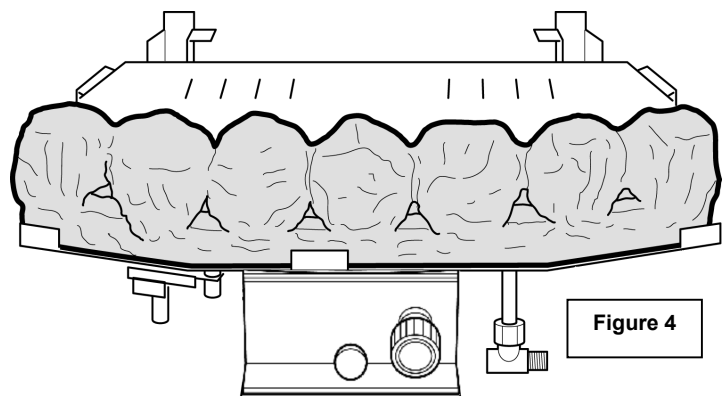
The burner surface can be carefully vacuumed to remove any loose particles. **Note:** Surface cracking is normal and no cause for concern.

To reassemble, take the following steps.

## PLACING THE COALS

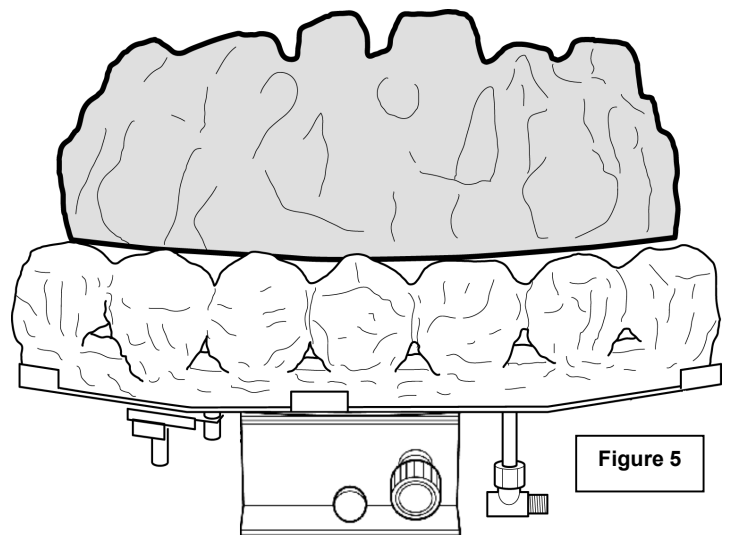
### Placing the front coals

Position both front coal pieces as shown in figure 4.



### Placing the fuel matrix

Position on top of the burner as shown in figure 5. The rear face of the burner should locate into two cut-outs on the top face of the rear legs. Ensure that the matrix sits flatly on the top of the burner.



## Placing the dress coals

The dress coals consist of:

- 6 x Finger coals
- 18 x Random cut coals

Keep the different types of coals separate. Begin the coal build by placing six random shaped coals as shown in figure 6, ensuring that they form a bridge between the front coal and the coal matrix. In order to get the best flame effect, it is important that the coals are evenly spaced, and sit 10-15mm from each other.

Next, take five random shaped coals and position as shown in figure 7. This second row of coals should rest on top of the first row, overlapping by 5-10mm. Again, ensure even spacing to obtain the best flame effect.

Now take four more random shaped coals and position as shown in figure 8 to make the third row. These coals should again overlap the previous row by about 5mm. Ensure even spacing between coals.

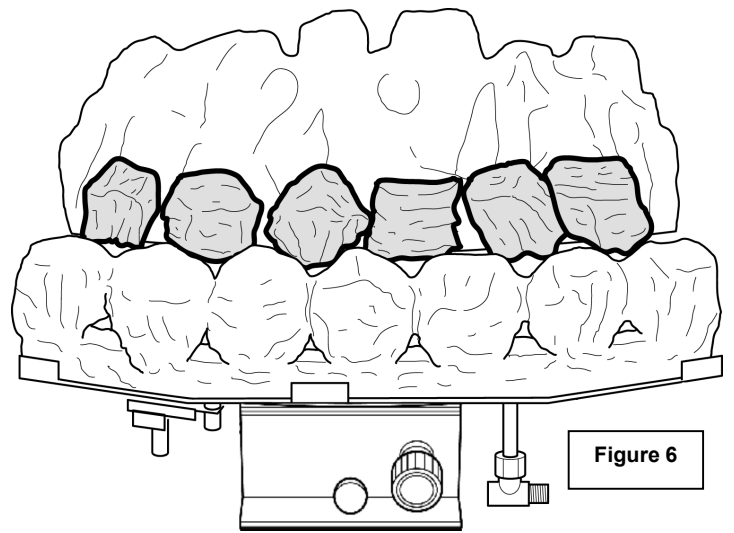


Figure 6

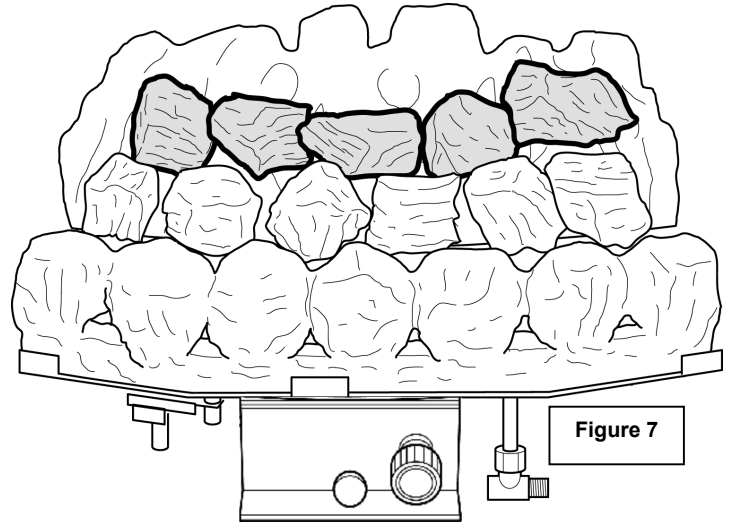


Figure 7

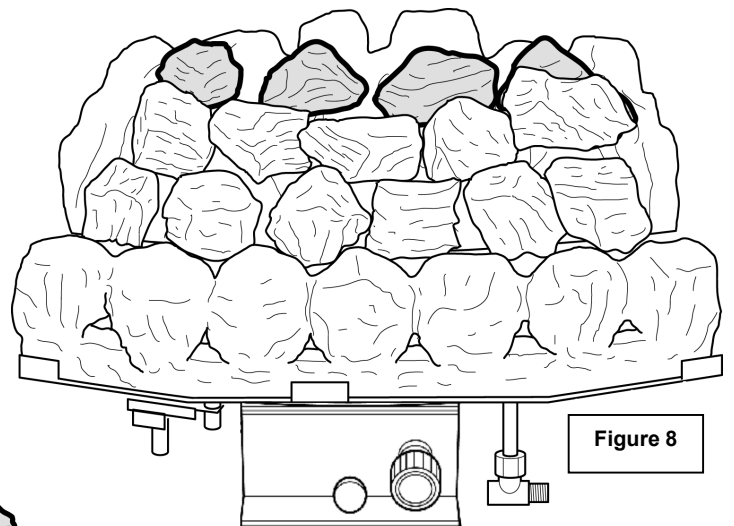


Figure 8

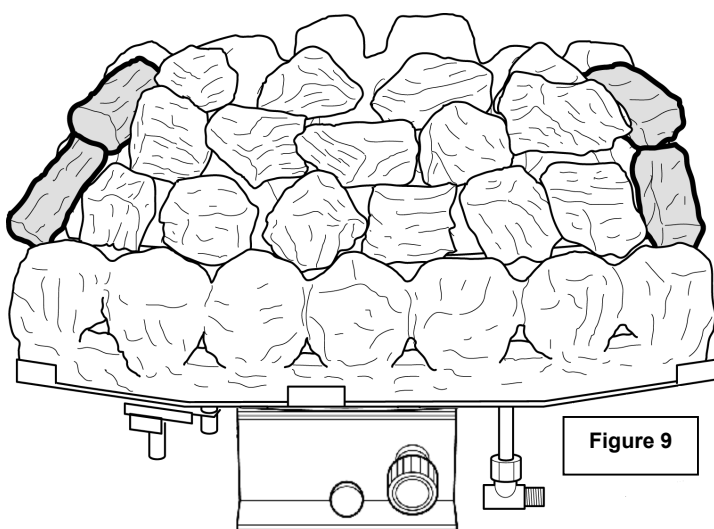
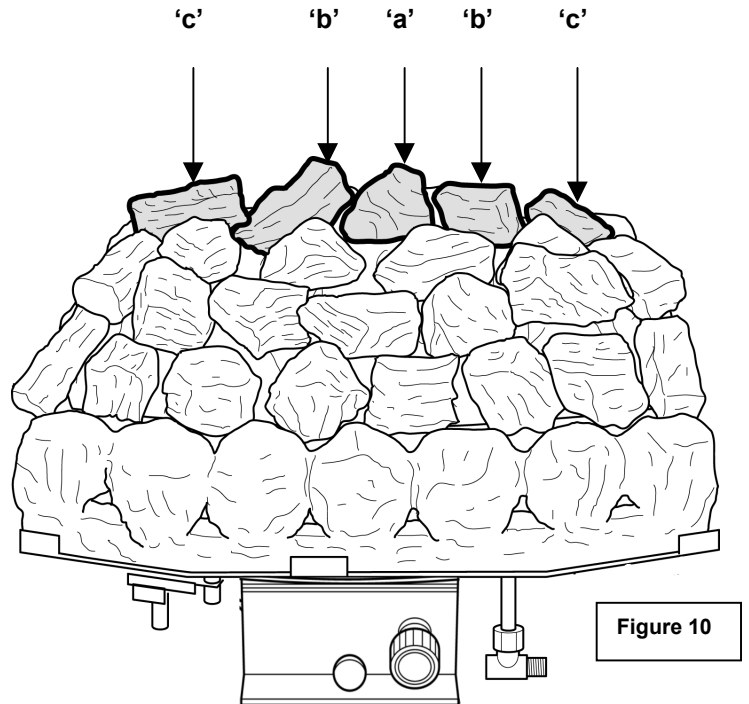


Figure 9

Next, take four finger coals and position as shown in figure 9.

## Placing the dress coals – continued

Finally, take the three remaining random shaped coals. Place one in the centre of the matrix (position 'a'), place the other two next to it (position 'b') as shown in figure 9. To complete, place the two remaining finger coals along the back of the matrix (position 'c') also shown in figure 10.



## SPARE PARTS

The ceramic fuel bed items are customer replaceable. When ordering please quote the number shown below. Only use genuine Wonderfire replacement parts in the correct quantity, and follow the instructions carefully.

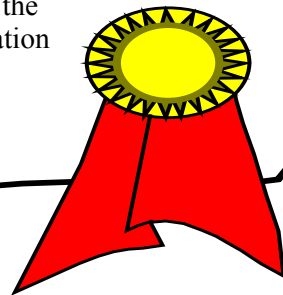
Description	Part Number
Front coal	9770100
Coal matrix	9770099
Pack of dress coals	9780050

## GUARANTEE

Every Wonderfire product is warranted for a period of twelve months against manufacturing faults. Any part found to be of substandard quality will be replaced free of charge by your supplier upon receipt of the original purchase receipt.

The Guarantee does not extend to cover misuse, or faults caused by incorrect installation or operation.

This guarantee may also be void if any modification has been carried out to the standard product unless the modification is authorised within the installation manual.



## LEGAL REQUIREMENT

Every gas appliance should be installed by a competent person. If in doubt always use the services of a CORGI registered installer.

Please fill in the following information for your own future reference. This information should always be quoted in any correspondence with your original supplier or Wonderfire service department.

If you require your fire to be serviced, or in the unlikely event that it should require repair due to a manufacturing defect then call Wonderfire service department on 0121 386 203, quoting your details listed below. From the Republic of Ireland call 00 44 373 8111 for all enquiries.

Model: **WONDERFIRE AIRFLAME EXCEL MK. 3 18"**

Model number: ***See data label***

Suppliers name:

Suppliers address:

Telephone number:

Date of purchase:

Guarantee card number:



**Wonderfire**

MANUFACTURED BY WONDERFIRE  
Wood Lane, Erdington, Birmingham, England.  
B24 9QP