

INSTALLATION GUIDE

Model 761 & 961

Vertical Window Kit

This kit is for replacing the inclined glass window on 761 and 961 models with a vertical glass window.

Step 1. Remove the fascia.

Homeflame Dream model.

1. Remove the bottom front cover and the fire front casting.
2. Remove the two screws and washers securing the bottom of the fascia to the sides of the convection box (See figure 1).
3. Carefully lift the fascia upward to clear the upper retaining brackets on the convection box. Pull the fascia clear and place carefully aside.

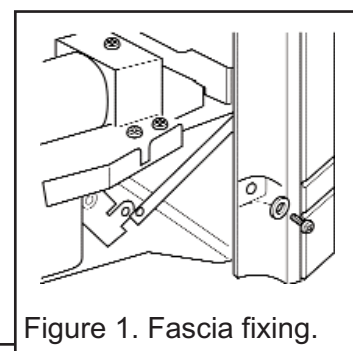


Figure 1. Fascia fixing.

Homeflame Harmony model.

1. Carefully lift the fascia upward and forward.
2. Place the fascia in a safe place away from the gas fire.

Step 2. Remove the glass panel.

Note: When removing and fitting the glass panel care must be taken to ensure that the bottom of the glass is lifted high enough to clear the front ceramics and prevent damage to them.

1. Lift the glass panel clear of its lower support channels (See figure 2). Lower and remove the glass panel.

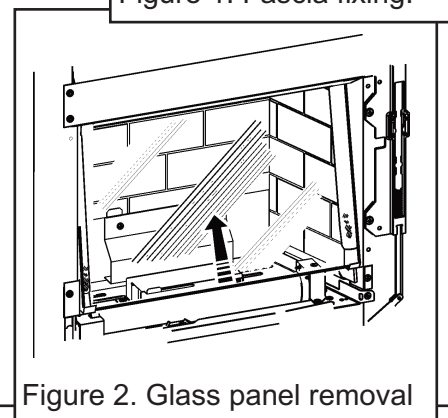


Figure 2. Glass panel removal

Step 3. To remove the port cover.

1. On 'Dream' models it will be necessary to remove the canopy. To do this unscrew and remove the two screws from the underside of the canopy (See figure 3).
2. Unscrew and remove the port cover as in figure 4.

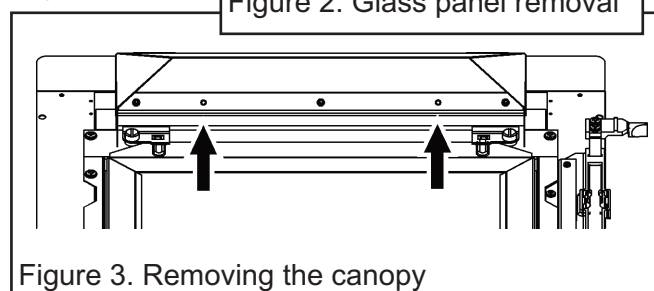


Figure 3. Removing the canopy

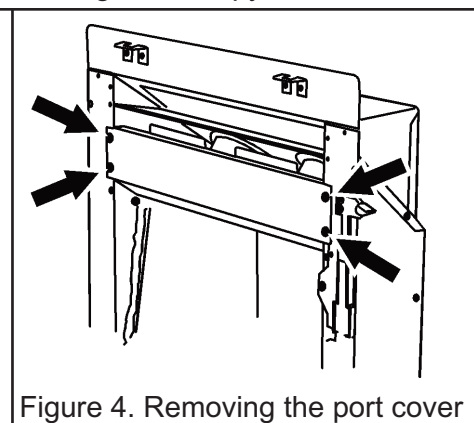


Figure 4. Removing the port cover

INSTALLER GUIDE

Step 4. To remove the window seal brackets and ceramic side walls.

1. Remove the ceramic fuel effect overlay and ceramic fuel effect base.
2. Unscrew and remove the two window seal brackets (See figure 5).
3. Carefully slide the ceramic side walls forward to remove.
4. Carefully slide the ceramic rear wall upward to remove.

Fitting the kit.

1. Unpack and fit the new ceramic rear and side walls.
2. Replace the ceramic fuel effect base and ceramic fuel effect overlay.
3. Ensure that the rear of the replacement glass panel is free from marks and fingerprints. Secure in place using the screws removed previously (See figure 6). Be careful not to damage the front ceramic fuel effect.
4. Replace the fascia and shoulder screw.

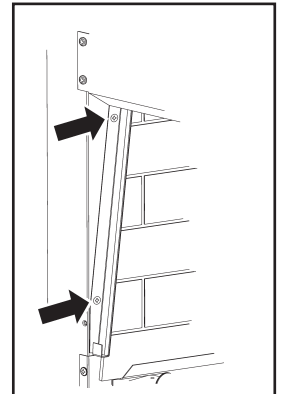


Figure 5. Window seal brackets.

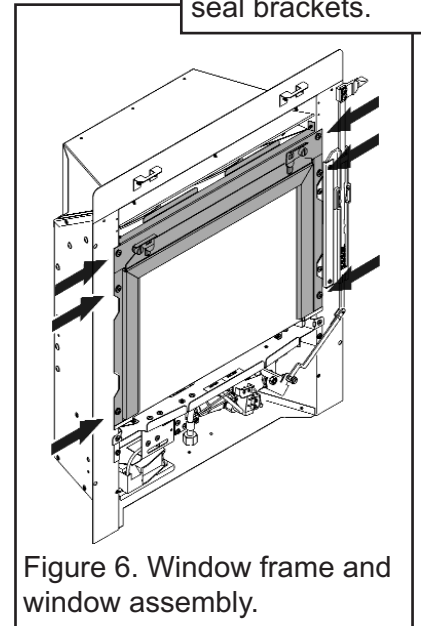


Figure 6. Window frame and window assembly.