

BAXI FIRES DIVISION

INSTALLER GUIDE

Model
949

**OPEN DECORATIVE
GAS FIRE**

(GC No. 32-032-66)



**THIS APPLIANCE IS FOR USE WITH NATURAL GAS (G20).
WHEN CONVERTED USING CONVERSION KIT NO. 0595241 THIS
APPLIANCE IS FOR USE WITH PROPANE GAS (G31).
THIS APPLIANCE IS SUITABLE ONLY FOR INSTALLATION IN THE UNITED
KINGDOM (GB) AND THE REPUBLIC OF IRELAND (IE).**

We trust that this guide gives sufficient details to enable this appliance to be installed and maintained satisfactorily. However, if further information is required, our

Baxi Fires Division Technical Helpline will be pleased to help.

Please telephone 08706 061 065 (National call rates apply in the United Kingdom).

In the Republic of Ireland telephone 0044 8706 061 065.

INSTALLER: Please leave this guide with the owner

BAXI ● VALOR ● WONDERFIRE

INSTALLER GUIDE

Safety First.

Baxi Fires Division fires are CE Approved and designed to meet the appropriate British Standards and Safety Marks.



All Baxi Fires Division fires are manufactured to the highest standards of quality and excellence and are manufactured under a BS EN ISO 9001 quality system accepted by the British Standards Institute.



The Highest Standards

Baxi Fires Division is a member of the Society of British Gas Industries which works to ensure high standards of safety, quality and performance.



Careful Installation

Baxi Fires Division is a CORGI registered company. All our gas fires must be installed by a competent CORGI Registered Installer in accordance with our Installer Guide and should not be fitted directly on to a carpet or floor of combustible material.

B A X I F I R E S D I V I S I O N

Baxi Fires Division, Erdington, Birmingham B24 9QP
www.firesandstoves.co.uk

Because our policy is one of constant development and improvement, details may vary slightly from those given in this publication

INSTALLER GUIDE

CONTENTS

<u>Section</u>	<u>Page</u>
1. SAFETY	4
2. LIST OF ACCESSORIES	4
3. APPLIANCE DATA	5
4. GENERAL INSTALLATION REQUIREMENTS	6
5. UNPACKING	12
6. INSTALLATION OF APPLIANCE	13
7. BURNER AND SUPPLY PIPE INSTALLATION	15
8. FITTING THE FIREFRONT	16
9. CERAMIC COALS INSTALLATION	17
10. FULL OPERATING CHECKS	21
10.1 Spillage check.	21
10.2 Flame supervision and spillage monitoring system.	21
10.3 Final commissioning.	22
11. SERVICING & PARTS REPLACEMENT	23
11.1 Checking the aeration setting of the burner.	23
11.2 To remove the complete burner unit.	24
11.3 To remove the pilot unit.	24
11.4 To remove the gas valve.	25
11.5 To replace the burner.	25
11.6 To remove the main burner injector.	25

INSTALLER GUIDE

1. SAFETY

Installer

Before continuing any further with the installation of this appliance please read the following guide to manual handling:

- The lifting weight of this appliance is as below:

Burner - 1.76 kg.
Spanish basket casting (Where supplied) - 11.5 kg.
- One person should be sufficient to lift the fire. If for any reason this weight is considered too heavy then obtain assistance.
- When lifting always keep your back straight. Bend your legs and not your back.
- Avoid twisting at the waist. It is better to reposition your feet.
- Avoid upper body/top heavy bending. Do not lean forward or sideways whilst handling the fire.
- Always grip with the palm of the hand. Do not use the tips of fingers for support.
- Always keep the fire as close to the body as possible. This will minimise the cantilever action.
- Use gloves to provide additional grip.
- Always use assistance if required.

2. LIST OF ACCESSORIES

<u>Description</u>	<u>Part Number</u>
LPG Conversion kit	0595241
Replacement chair brick	0552391
Replacement chair brick chrome trims	05523A1

INSTALLER GUIDE

3. APPLIANCE DATA

This product uses fuel effect pieces containing Refractory Ceramic Fibres (RCF), which are man-made vitreous silicate fibres. Excessive exposure to these materials may cause irritation to eyes, skin and respiratory tract. Consequently, it is important to take care when handling these articles to ensure that the release of dust is kept to a minimum. To ensure that the release of fibres from these RCF articles is kept to a minimum, during installation and servicing we recommend that you use a HEPA filtered vacuum to remove any dust and soot accumulated in and around the fire before and after working on the fire. When replacing these articles we recommend that the replaced items are not broken up, but are sealed within a heavy duty polythene bag, clearly labelled as RCF waste. This is not classified as “hazardous waste” and may be disposed of at a tipping site licensed for the disposal of industrial waste. Protective clothing is not required when handling these articles, but we recommend you follow the normal hygiene rules of not smoking, eating or drinking in the work area and always wash your hands before eating or drinking. This appliance does not contain any component manufactured from asbestos or asbestos related products.

Gas	Natural (G20)	Propane (G31) *
Inlet Pressure	20mbar	37mbar
Input - Max. (Gross)	6.85kW (23,372 Btu/h)	6.7kW (22,860 Btu/h)
Input - Min. (Gross)	2.3kW (7,846 Btu/h)	4.0kW (13,650 Btu/h)
Inlet Test Pressure (Cold)	20.0 ± 1.0mbar (8.0 ± 0.4in w.g.)	37.0 ± 1.0 mbar (14.85 ± 0.4in w.g.)
Gas Connection	8mm pipe	8mm pipe
Burner Injector	SU - 078	Stereomatic size 132
Pilot & Atmosphere Sensing Device	SU - 028	SU - 020
Ignition	Integral Piezo Spark	Integral Piezo Spark
Aeration	See section 11.1	Non-adjustable

*When converted using kit 0595241

INSTALLER GUIDE

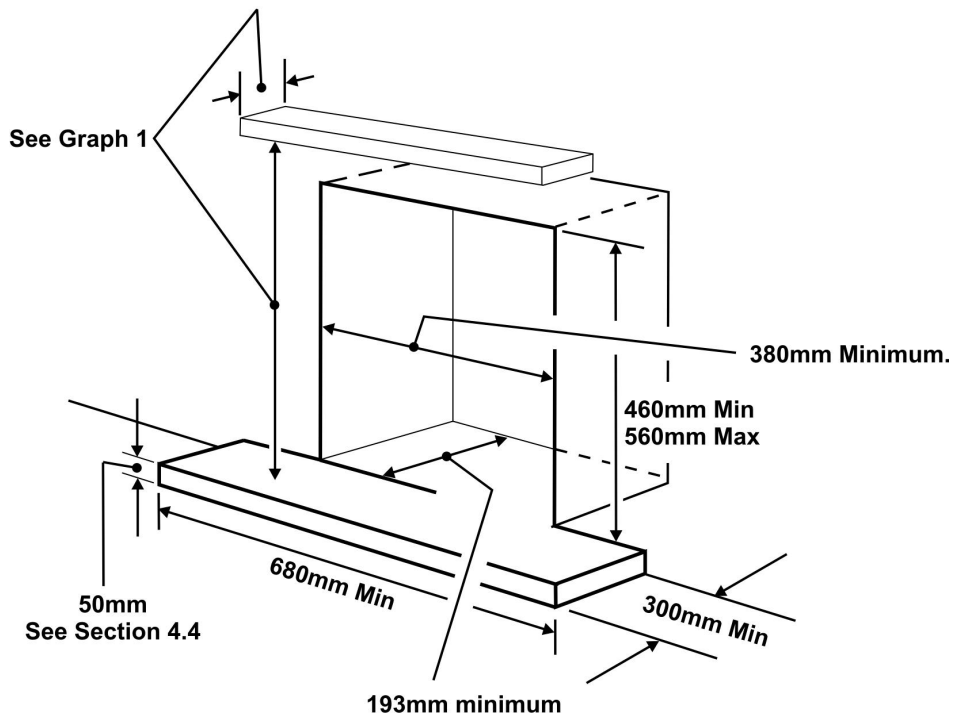
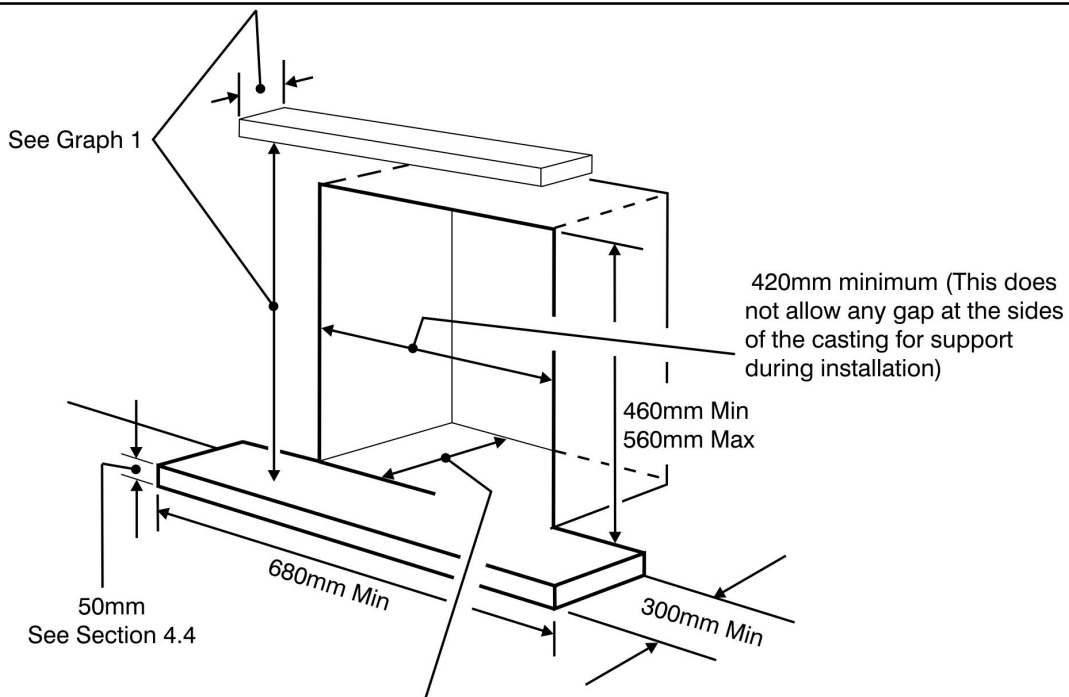


Figure 1. Hearth and fireplace opening



340mm minimum with casting completely behind the front of the fireplace opening.
270mm minimum with incandescent area level with the front of the fireplace opening
(In both cases the burner must be positioned so that the burner tray trim is touching the lower inside face of the casting).

Figure 2. Hearth and fireplace opening for installations using the **SPANISH BASKET CASTING ONLY**

INSTALLER GUIDE

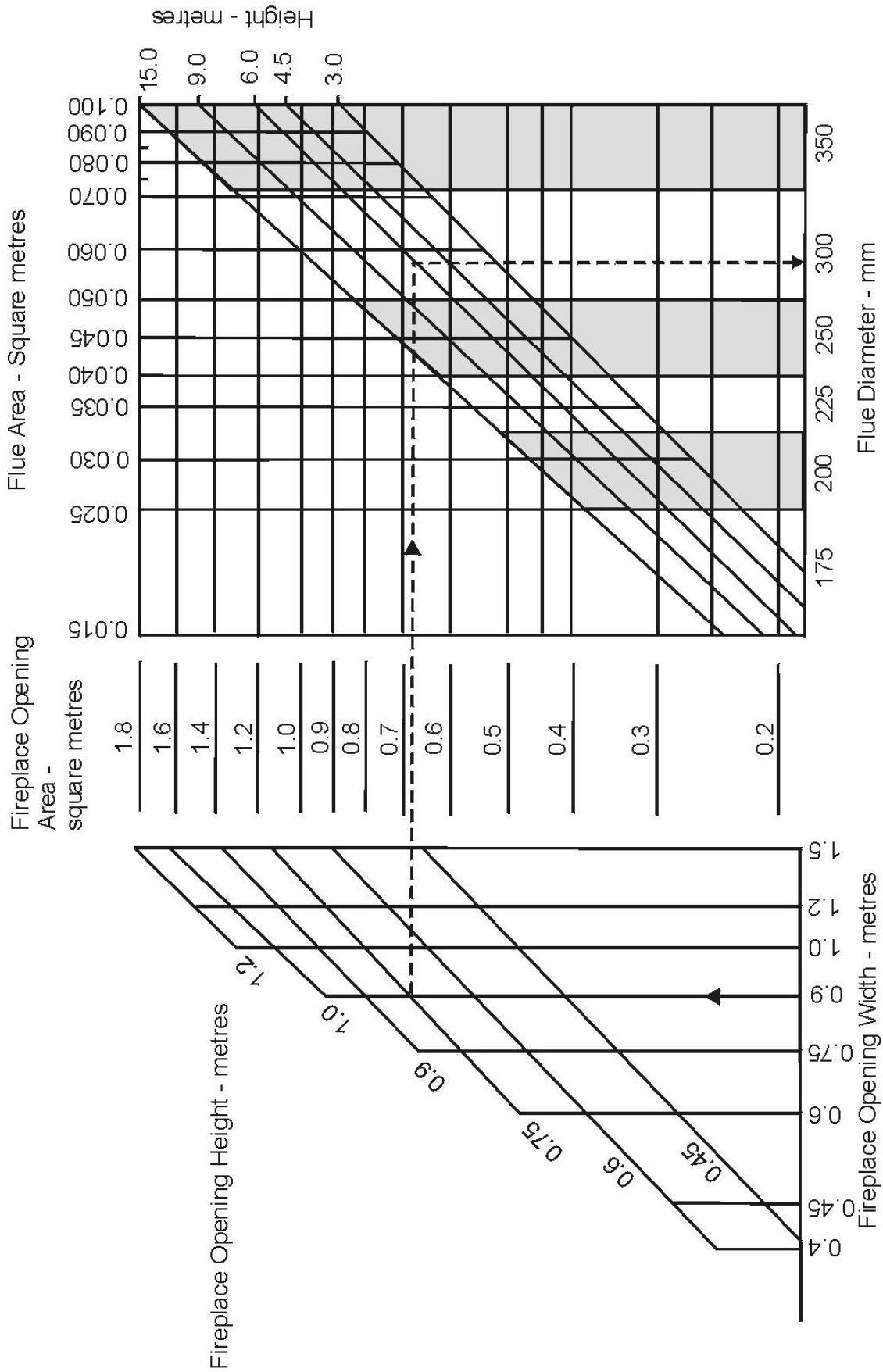


Table 1. Flue sizing table.

EXAMPLE

Fireplace opening is 0.9m wide x 0.75m high = 0.68m². Then for flue height 6.0m, use a 300mm diameter flue.

NOTE 1 Where choice is possible, the smallest diameter flue should be used. Large diameter flues, particularly of short length, will be conducive to downdraught and therefore spillage.

NOTE 2 In the case of fireplace openings served by the above chart, a fireplace opening of greater width than height will be less likely to spill than one of width and height, despite their having the same fireplace opening areas.

INSTALLER GUIDE

4.2 In the United Kingdom, as supplied the appliance can be installed in the following situations: -

For installations without the Spanish basket casting.

- To a fireplace complete with surround and hearth as shown in figure 1 and complying with BS1251.

For installations with the Spanish basket casting.

- To a fireplace complete with surround and hearth as shown in figure 2 and complying with BS1251.

For fireplace openings having dimensions different to those shown in figure 2 refer to Table 1 and BS 5871-Part 3 for flue sizes.

Into a fireplace that has a fireback of nominal size 400mm and conforming to BS1251.

Into a Baxi Fires Division replacement chairbrick. Part number 0552391

Suitable flues and minimum flue sizes are as follows: -

225mm x 225mm conventional brick flue.

175mm diameter lined brick or stone flue.

200mm diameter factory made insulated flue manufactured to BS EN 1856 part 1 which replaces BS4543.

175mm diameter flue pipe. See BS6461 Part 1 for suitable materials.

The minimum effective height of the flue must be 3m.

The flue must not be used for any other appliance or application.

Any chimney damper or restrictor should be removed. If removal is not possible, they must be secured in the open position.

If the appliance is intended to be installed to a chimney that was previously used for solid fuel, the flue must be swept clean prior to installation.

All flues should be inspected for soundness and freedom from blockages.

4.3 If the fireplace opening is an underfloor draught type, it must be sealed to stop any draughts.

4.4 The appliance must be mounted behind a non-combustible hearth (N.B. conglomerate marble hearths are considered as non-combustible) unless the conditions in section 4.4.1 are met. The appliance can be fitted to a minimum class “O” – 100°C surround. The hearth material must be at least 12mm thick. The periphery of the hearth (or fender) should be at least 50mm above floor level to discourage the placing of carpets or rugs over it (See figure 1 or 2).

INSTALLER GUIDE

The surface of the hearth must be sufficiently flat to enable the bottom of the fascia and the bottom front cover to be aligned horizontally. Any excessive unevenness (uneven tiles, Cotswold stone, etc.) should be rectified.

4.4.1. 'Hole-in-the-wall' Installations

For installation **without** the **Spanish basket** casting.

- It is recommended that a hearth should be installed as in figure 1.

For installation **with** the **Spanish basket** casting.

- It is recommended that a hearth should be installed as in figure 2.

For installation **with** and **without** the **Spanish basket** casting.

- If no hearth or a hearth with reduced depth is fitted, the fire must be installed so that the distance from the base of the fireplace opening in the wall to the finished floor level is 75mm minimum. Where there is no floor covering or carpet and the floor is of a type that is likely to be covered in such a way then the distance from the base of the fireplace opening in the wall to the finished floor level should be increased to at least 150mm.
- To protect from the risk of burns and ignition of clothing a tactile separator shall be used. The hearth detailed in section 4.4 meets the requirements for a tactile separator. If this is not used then a 680mm long fender, kerb, horizontal bar, or other barrier, being fixed not less than 50mm above floor level and positioned 300mm in front of the fixing plane of the fire will meet the requirement.

The tactile separator can also take the form of a canopy, being fixed not more than 1000mm above floor level and positioned 300mm in front of the fixing plane of the fire.

- It is recommended that the reduced hearth is fitted where loose firefronts / ash pans etc are to be used.

4.5 If the fireplace opening is greater than the acceptable dimensions given in this guide, do not use the back of a fire surround or marble to reduce the opening. This may cause cracking of the surround back or marble

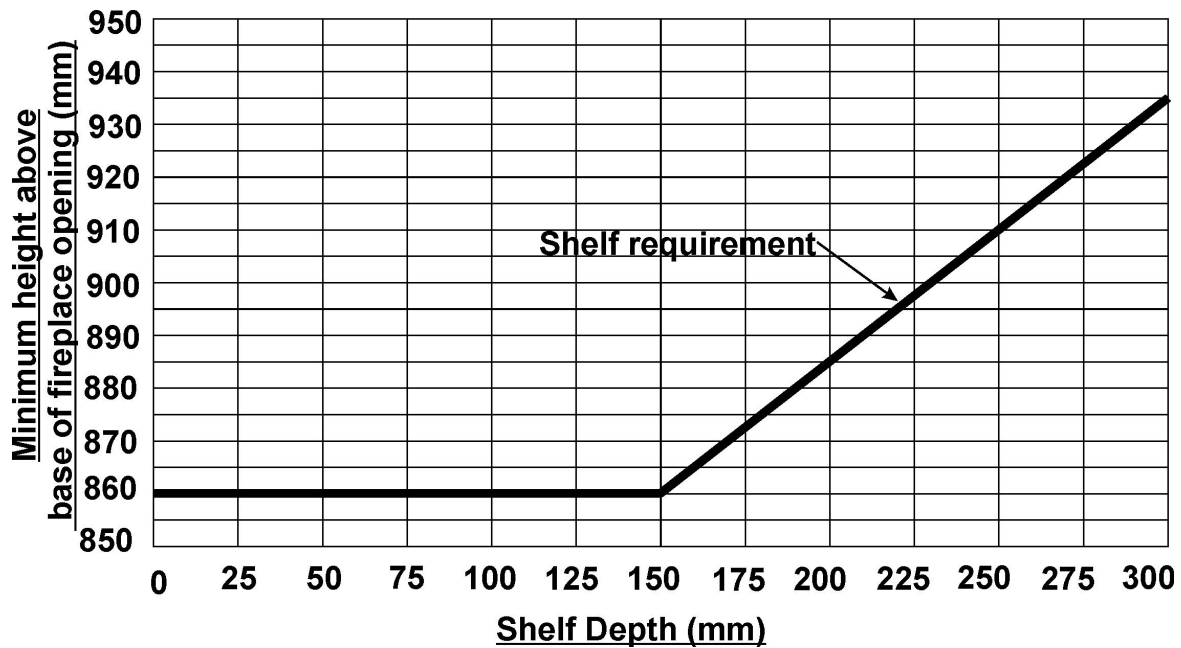
4.6 The appliance must not stand on combustible materials or carpets.

4.7 The minimum height from the base of the fireplace opening to the underside of any shelf made from wood or other combustible materials is as follows: -

- *For a shelf up to 150mm deep*
Minimum height = 860mm.
- *For a shelf deeper than 150mm*
860mm + 12.5mm for every 25mm depth over 150mm.

(See Graph 1).

INSTALLER GUIDE



Graph 1. Combustible shelf clearances

4.8 Note that soft wall coverings (e.g. embossed vinyl, etc.) are easily affected by heat. They may scorch or become discoloured when close to a heating appliance. Please bear this in mind when installing.

4.9 This appliance must not be installed in any room that contains a bath or shower or where steam is regularly present.

4.10 An extractor fan may only be used in the same room as this appliance, or in any area from which ventilation for the appliance is taken, if it does not affect the safe performance of the appliance. Note the spillage test requirements detailed further on in this manual. If the fan is likely to affect the appliance, the appliance must not be installed unless the fan is permanently disconnected.

4.11 Normal adventitious ventilation is usually sufficient to satisfy the ventilation requirements of this appliance. In GB reference should be made to BS 5871 Part 2 and in IE reference should be made to the current edition of IS 813 “Domestic Gas Installations” which makes clear the conditions that must be met to demonstrate that sufficient ventilation is available.

INSTALLER GUIDE

4.12 Propane gas appliances must not be installed in a room that is built entirely below ground level (See BS 5871 Part 3).

4.13 If the appliance is to be fitted against a wall with combustible cladding, the cladding must be removed from the area shown in figure 3

4.14 The appliance is fitted with an A.S.D (Atmosphere sensing device). If the appliance closes down after a period of operation for no apparent reason, the consumer should be informed to stop using the appliance until the installation and appliance have been thoroughly checked. The A.S.D will shut the appliance down if an unacceptable amount of harmful products of combustion accumulate. Under no circumstances should the A.S.D be altered or bypassed in any way. Only a genuine manufacturers replacement part should be fitted. The individual A.S.D components are not replaceable.

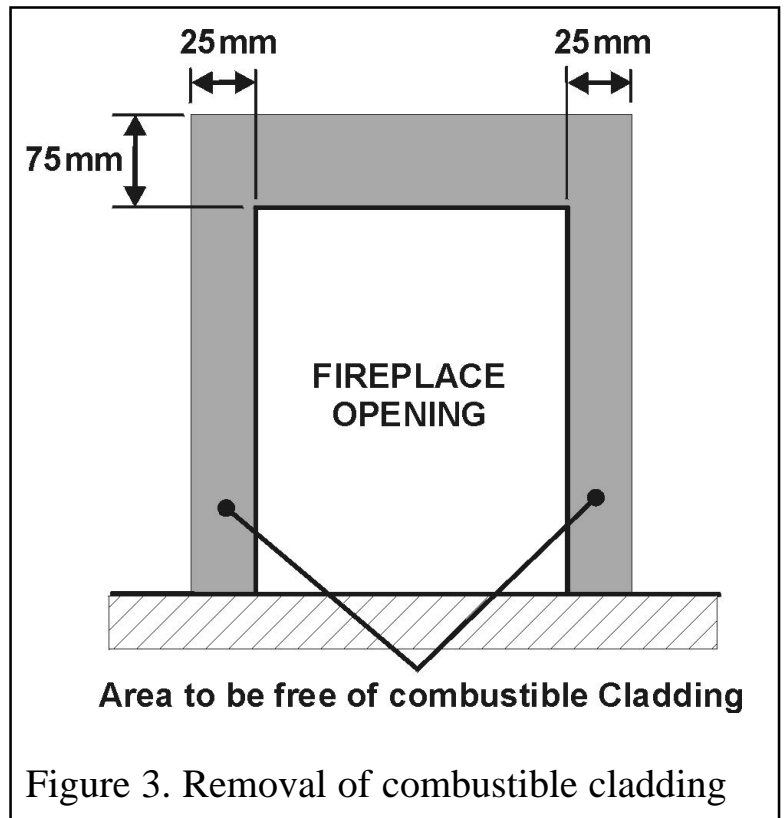


Figure 3. Removal of combustible cladding

4.15 Clearances to side projections are as below:

4.15.1 Combustible side projections up to 75mm forward of the fixing plane of the fire are to be a minimum of 125mm from the fireplace opening.

4.15.2 Combustible side projections greater than 75mm forward of the fixing plane of the fire are to be a minimum of 178mm from the fireplace opening.

4.15.3 Non-combustible side projections to be 75mm from the fireplace opening.

4.16 A fireguard complying with BS 8423 should be fitted for the protection of young children, the elderly, or the infirm.

5. UNPACKING

Contents:

- | | |
|----------------------------------|-----------------------|
| 1 Burner assembly | 1 Burner tray trim |
| 1 Nut & olive for 8mm inlet pipe | 2 Screws |
| 2 Plastic screw plugs | 2 Self tapping screws |
| 1 Inlet 'T' connector | 1 Ceramic fuel effect |

Carefully remove the contents. Take special care in handling the ceramic fuel effect components. Check that all the listed parts are present and in good condition.

INSTALLER GUIDE

6. INSTALLATION OF APPLIANCE

INSTALLATION

6.1 Fireplace size.

The fireplace must comply with the requirements described in section 4.

6.2 Fireplace flue pull.

Visually inspect the flue for any obstruction, and that a smooth transition from the fireplace opening into the flue is available. Close all doors and windows in the room in which the appliance is to be installed. After confirming with a match that smoke is drawn into the flue, light a 13 gram smoke pellet and check that there is a definite flow through the flue. Verify outside that the smoke exits from one terminal only and that the termination is suitable. Observe, where possible, upstairs rooms and loft spaces for signs of escaping smoke indicating a defective flue. If there is not a definite flow warm the flue for a few minutes and repeat the smoke pellet test. If there is still no definite flow the flue may need remedial work – **Do not fit the appliance until there is a definite flow through the flue.**

IMPORTANT

Before continuing with the installation of this gas fire the aeration setting on the burner must be checked. This is factory set (See section 11.1 - Servicing and parts replacement).

6.3 Fitting the burner tray trim.

Locate the burner tray trim over the front rim of the burner tray. Push the trim fully down (See figure 4).

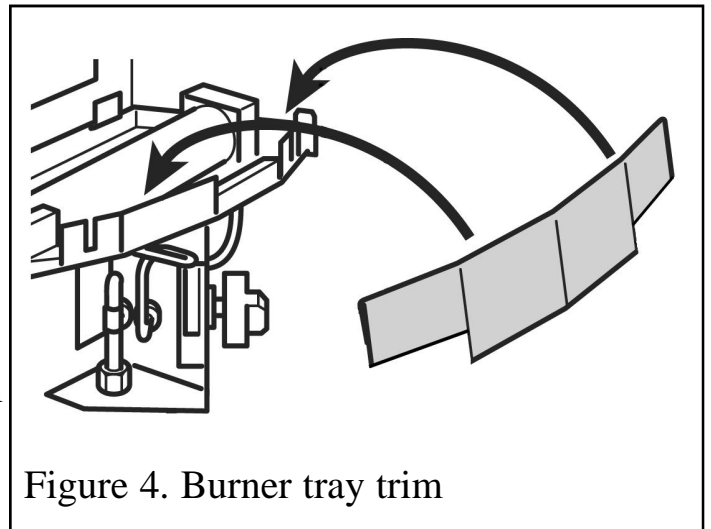


Figure 4. Burner tray trim

INSTALLER GUIDE

6.4 Installation of the burner unit.

For installations without the 'Spanish Basket' casting.

- Place the burner unit centrally within the fireplace opening. Position the burner to the rear of the opening, this may be moved forward providing the front of the burner tray trim does not protrude beyond the front plane of the fireplace opening by more than 28mm (See figure 5).

For installations with the 'Spanish Basket' casting.

- Place the casting centrally within the fireplace opening. Position the casting to the rear of the opening.

- Place the burner unit inside the casting.

- It is important that the burner tray trim touches the inner front face of the casting. This will give the customer greater access to the control knob.

- The casting may be moved forward providing the front of the burner tray trim does not protrude beyond the front plane of the fireplace opening by more than 28mm (See figure 5).

6.4.1 Locating the burner.

- Place the burner assembly in position (If installing into a 'Spanish Basket' casting it is important that the burner tray trim touches the inner front face of the casting. This will give the customer greater access to the control knob.

- Mark on the fireplace floor the position of the fixing holes in the bracket that is attached to the rear of the front leg. There are two holes in this bracket to prevent burner movement in use (See figure 6).

- Remove the burner assembly.
- Using a 6mm masonry drill, drill into the hearth at the marked position.
- Insert the supplied screw plugs.
- Remove the fixing bracket from

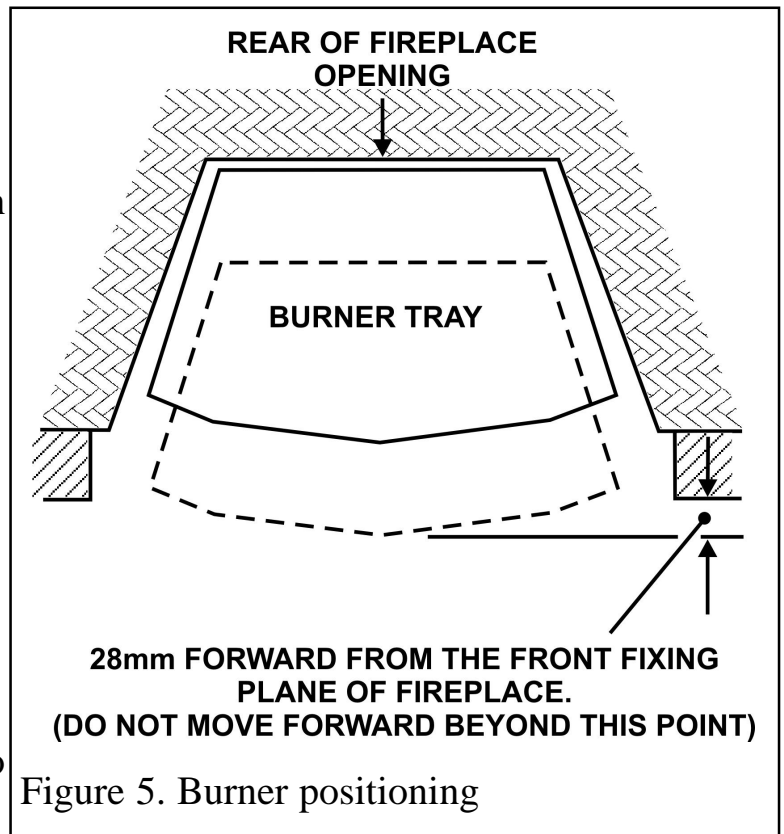


Figure 5. Burner positioning

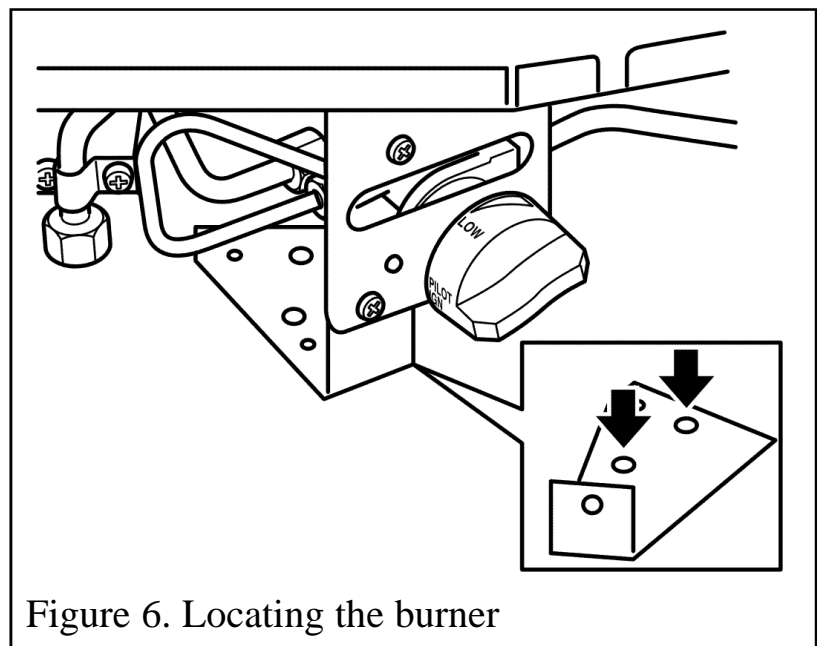


Figure 6. Locating the burner

INSTALLER GUIDE

the front leg by removing the screw.

- Place the bracket in position on the fireplace floor and fix in position using the woodscrews provided.
- Place the burner assembly back in position and attach to the bracket by refitting the screw.

7. BURNER AND SUPPLY PIPE INSTALLATION

A nut and olive is provided for an 8mm-pipe inlet connection directly to the inlet ‘T’ connector which can be rotated to allow a connection from any direction. The inlet ‘T’ connector includes a valve for isolating the gas supply and its centre is 25mm above the fireplace floor. It should be fitted to the supply pipe at this stage.

The supply pipe must be rigid material. Flexible pipe must not be used. Connect the supply line to the appliance.

Turn on the gas supply and pressure check the installation pipework for gas soundness. In the United Kingdom (GB) check in accordance with the current edition of BS 6891. In the Republic of Ireland check in accordance with the current edition of IS 813 “Domestic Gas Installations”.

7.1 Preliminary burner checks.

Some burner operations can be checked at this stage. Checking now will mean that less disassembly will be required if any problems are found. *A full check should still be made, however, after final installation.*

7.1.1 Lighting the fire

If closed, open the isolating inlet ‘T’ connector. Depress the control knob and rotate it anticlockwise to the pilot ignition position. A ‘click’ will be heard as the integral piezo operates. A spark should be seen between the electrode and pilot tip. Turn the control knob clockwise to the ‘Off’ position. Repeat this operation until a flame appears at the pilot. There may be a delay before the pilot lights due to air being purged from the system. When a flame appears at the pilot keep the control knob depressed and hold the pilot ignition position for ten seconds. When the control knob is released the pilot flame should remain lit.

7.1.2 Operating the burner.

When the pilot burner is operating properly, gradually turn the control knob anti-clockwise to ‘HIGH’ (Depress the knob slightly to get past the pilot ignition position). The main burner should now light. Depress the control knob slightly to release from the ‘HIGH’ position and turn back (clockwise) to ‘LOW’. While turning, the burner flames should gradually become lower but remain alight. Depress the control knob slightly to release from the ‘LOW’ position and turn back (clockwise) to the ‘Pilot ignition’ position. The main burner should extinguish but the pilot should remain alight. Depress

INSTALLER GUIDE

the control knob slightly and turn back (clockwise) to turn OFF.
This will extinguish the pilot.

7.1.3 Checking the inlet pressure.

The appliance is pre-set to give the correct heat input at the inlet pressure shown in section 3 of this guide. No adjustment is necessary.

1. Check the inlet pressure by fitting a pressure gauge at the test point. The test point is on the inlet 'T' connector (See figure 7). Check the pressure with the appliance alight and set at maximum output.

2. After checking, turn off the appliance. Remove the pressure gauge and replace the test point sealing screw.

3. Relight the appliance. Turn to the maximum output position and test around the sealing screw for gas soundness with a suitable leak detection fluid.

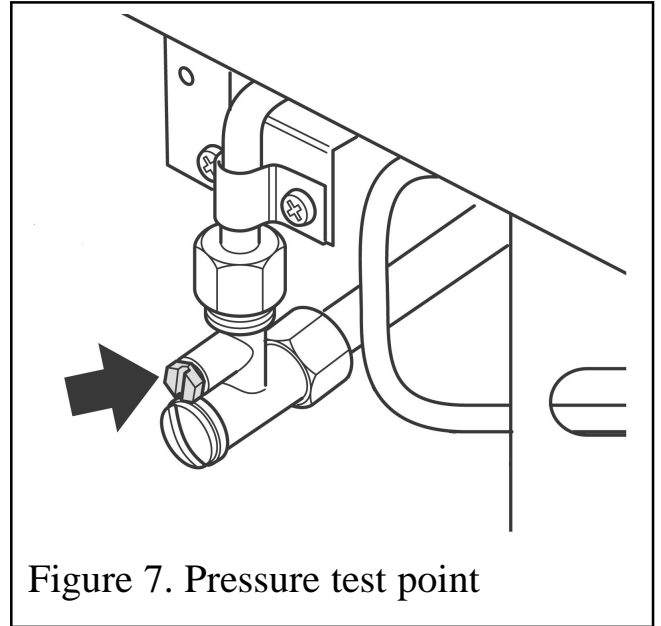


Figure 7. Pressure test point

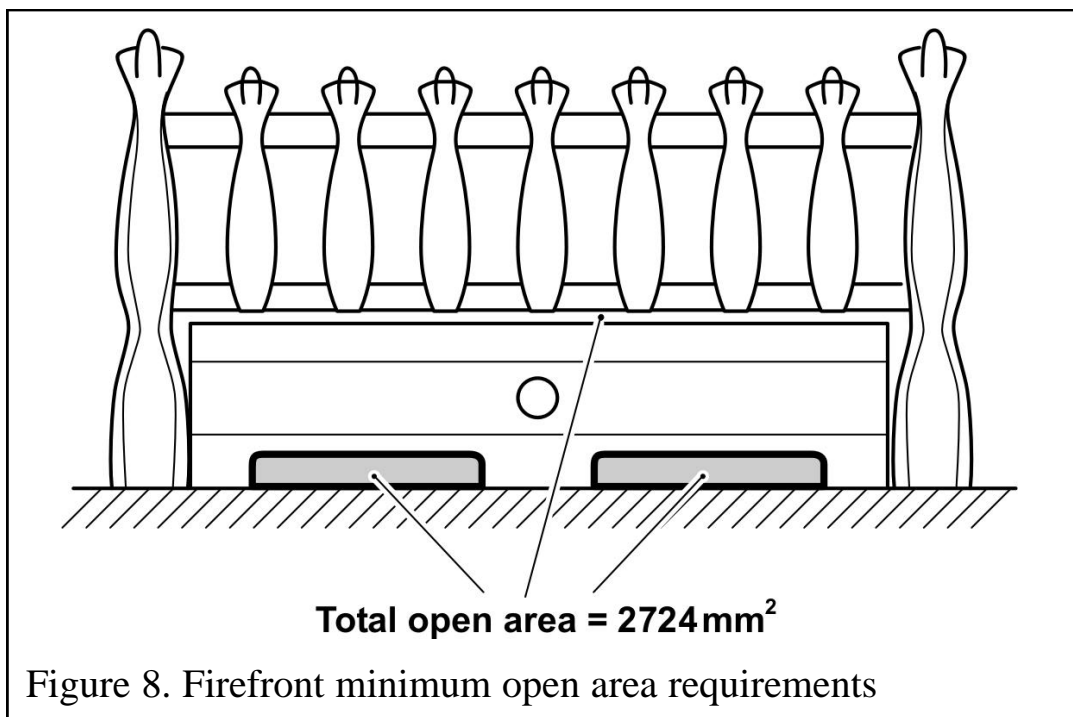
8. FITTING THE FIREFRONT

8.1 For models NOT supplied with a firefront.

A slotted firefront with a **minimum** free area as shown in figure 8 must always be used.

8.2 For models SUPPLIED with a firefront.

The firefront supplied with this fire has been tested and found to be satisfactory for use with this fire. The open area may differ slightly from that shown in figure 8.



INSTALLER GUIDE

Place the decorative firefront on the hearth and central to the appliance.

9. CERAMIC COALS INSTALLATION

The ceramic fuel effect may cause staining / discolouration to decorative surfaces. It is therefore advisable to protect decorative surfaces.

1. Place the ceramic base coal in the burner compartment. The bottom rear face of the coal should rest on the angled ledge at the back of the burner tray. The bottom front recess of the coal base should locate against the tags at the front of the ceramic support (See figure 9).

2. Place the ceramic front coal in position in front of the base coal (See figure 10). The underside is marked with a letter 'A'.

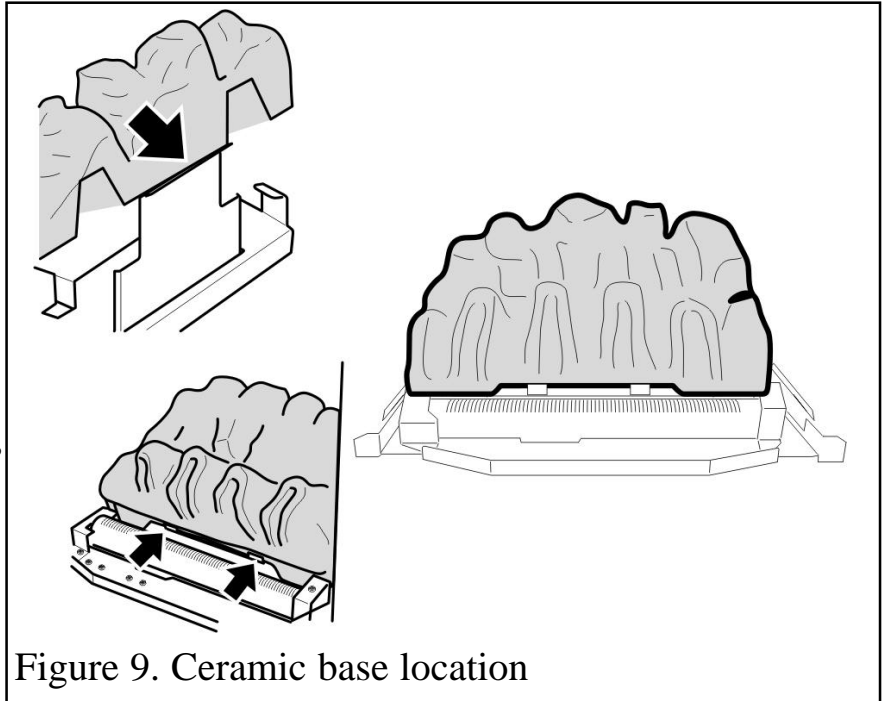


Figure 9. Ceramic base location

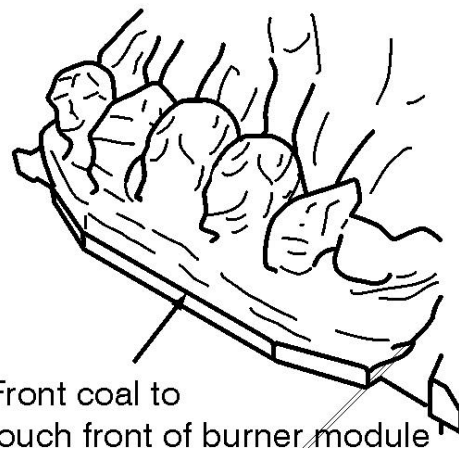
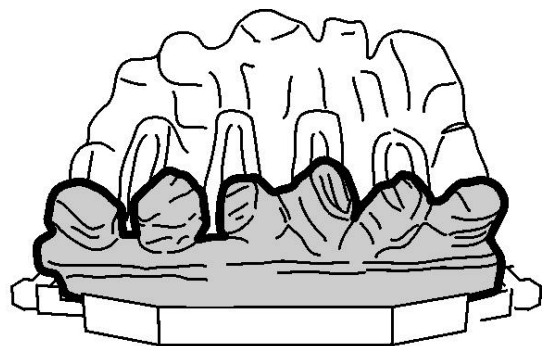


Figure 10. Front coal location (Burner tray design may differ from that shown)

INSTALLER GUIDE

Install the 11 loose coals as follows. The underside of each coal is marked with a letter 'B' to 'L' and an arrow.

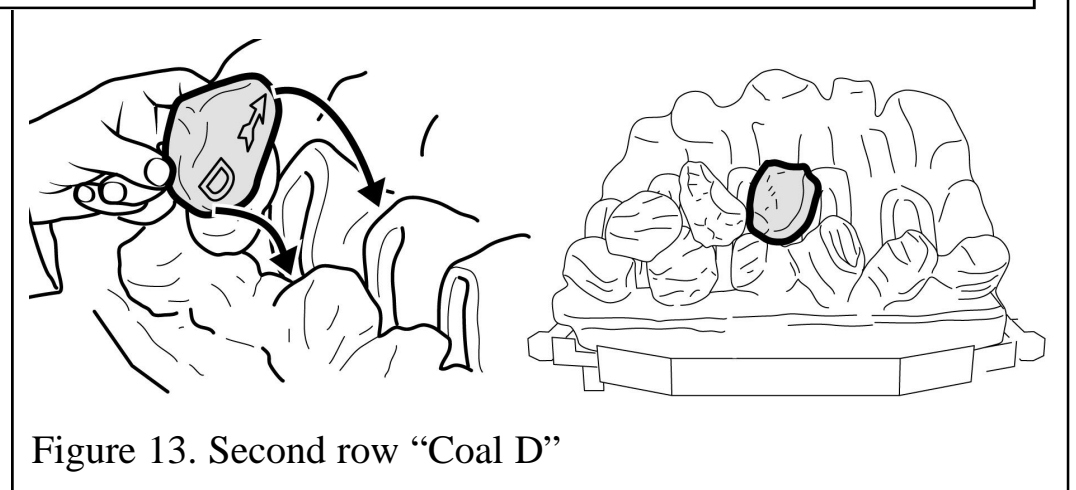
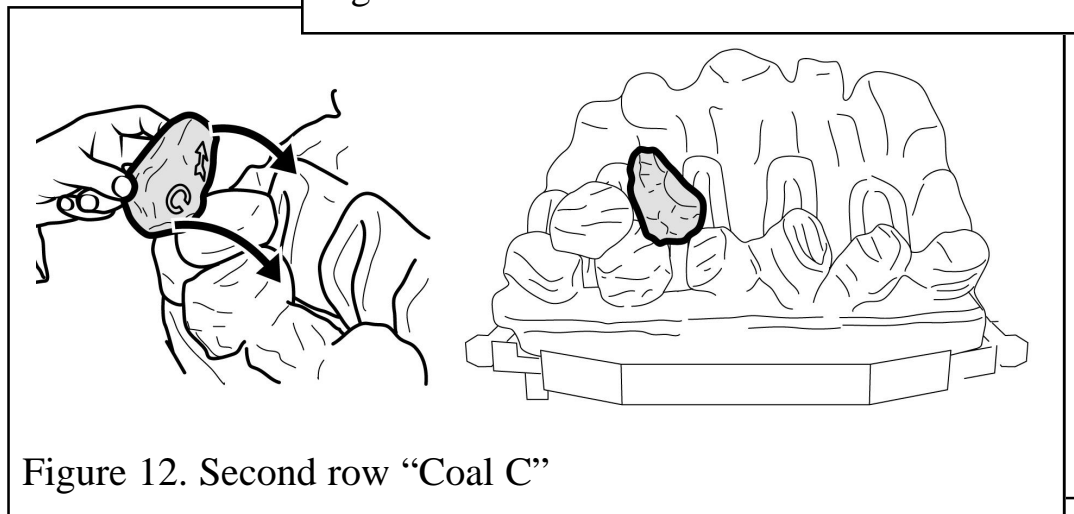
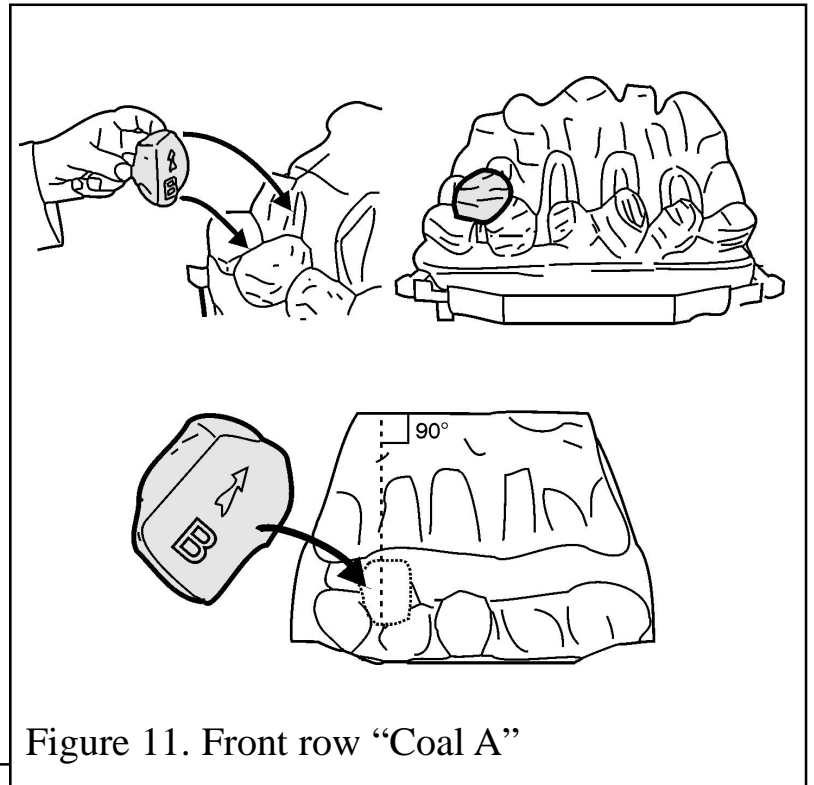
3. The coals should be positioned so that the arrows always point towards the back of the firebox. When located into position the stem of each arrow should be at 90° to the rear of the fireplace opening (See figure 11).

4. Hold coal 'B' upright with the arrow pointing to the top. Locate coal 'B' as shown in figure 11.

Locate coals 'C' to 'F' so that they are firmly seated in the valleys in the coal base and front coal.

5. Hold coal 'C' upright with the arrow pointing to the top. Locate coal 'C' as shown in figure 12.

6. Hold coal 'D' upright with the arrow pointing to the top. Locate coal 'D' as shown in figure 13.



INSTALLER GUIDE

7. Hold coal 'E' upright with the arrow pointing to the top. Locate coal 'E' as shown in figure 14.

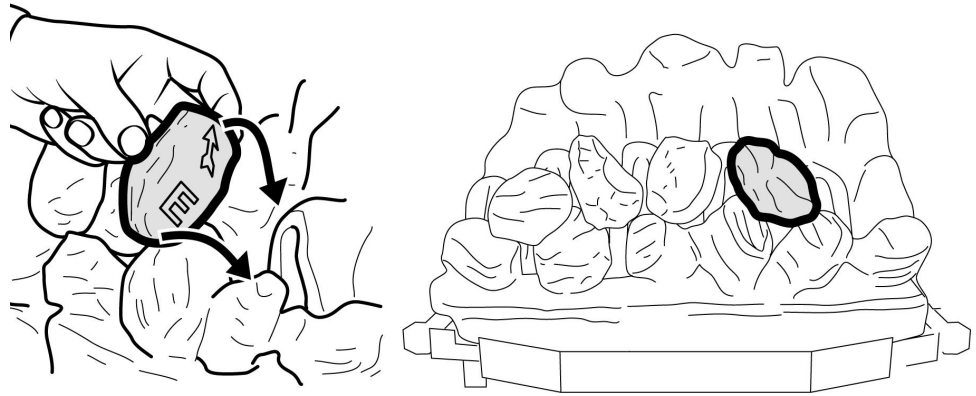


Figure 14. Second row "Coal E"

8. Hold coal 'F' upright with the arrow pointing to the top. Locate coal 'F' as shown in figure 15.

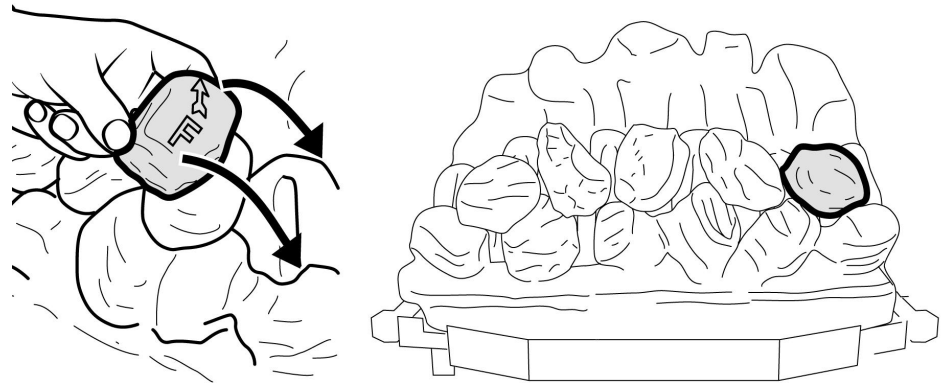


Figure 15. Second row "Coal F"

This will complete the first row of loose coals.

Locate coals 'G' to 'L' so that they are firmly seated in the valleys in the coal base.

9. Hold coal 'G' upright with the arrow pointing to the top. Locate coal 'G' as shown in figure 16.

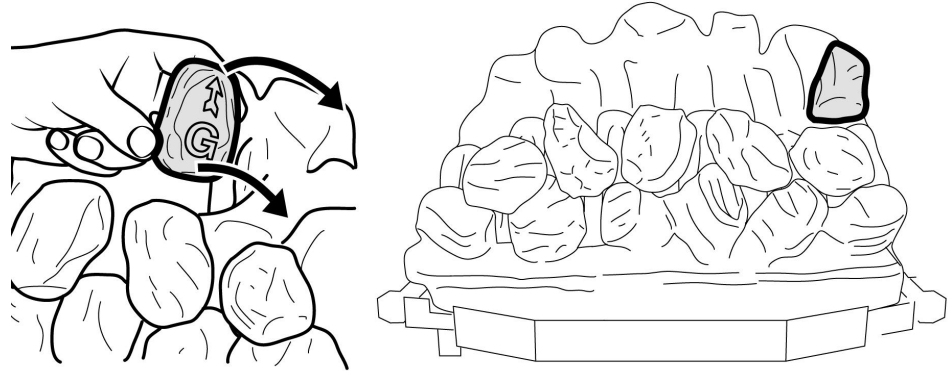


Figure 16. Second row "Coal G"

10. Hold coal 'H' upright with the arrow pointing to the top. Locate coal 'H' as shown in figure 17.



Figure 17. Second row "Coal H"

INSTALLER GUIDE

11. Hold coal 'I' upright with the arrow pointing to the top. Locate coal 'I' as shown in figure 18.



Figure 18. Second row "Coal I"

12. Hold coal 'J' upright with the arrow pointing to the top. Locate coal 'J' as shown in figure 19.

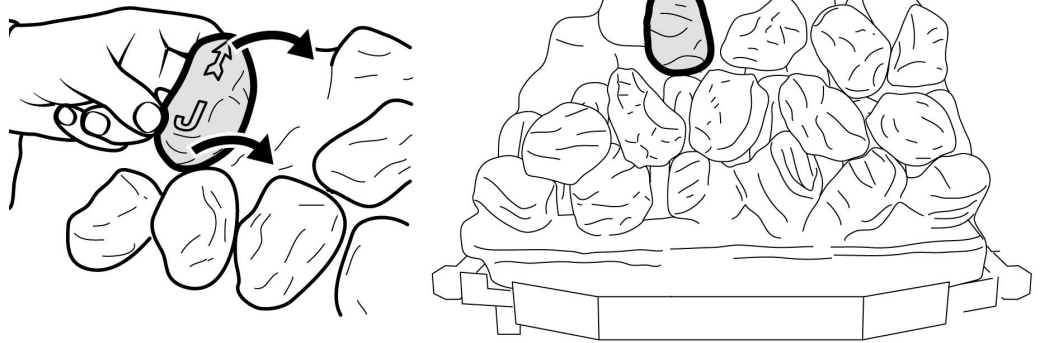


Figure 19. Second row "Coal J"

13. Hold coal 'K' upright with the arrow pointing to the top. Locate coal 'K' as shown in figure 20.

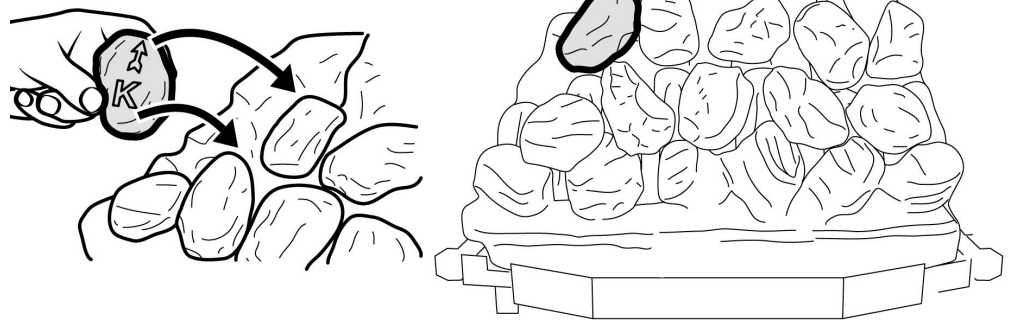


Figure 20. Second row "Coal K"

16. Hold coal 'L' upright with the arrow pointing to the top. Locate coal 'L' as shown in figure 21.



Figure 21. Third row "Coal L"

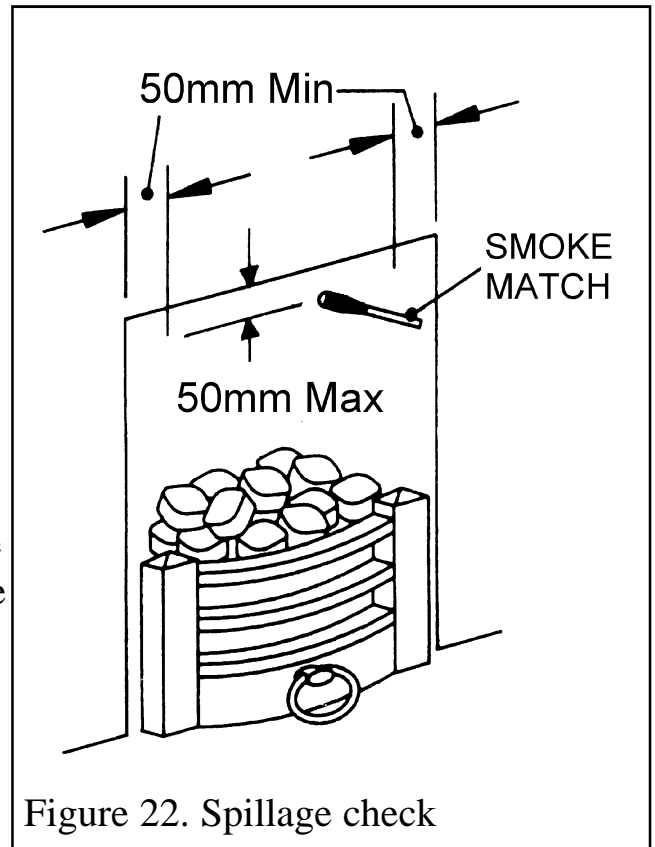
INSTALLER GUIDE

10. FULL OPERATING CHECKS

10.1 Spillage check.

A spillage check must be made before leaving the installed appliance with the customer. Make this with all the ceramic fuel effect pieces and firefronts / castings are in position (See figure 22).

- Close all doors and windows in the room containing the appliance. Light the appliance and set the control to the 'HIGH' position. Leave the appliance on for five minutes. See lighting instructions within section 7 of this guide.
- The end of the smoke match should be level with the front face of the fireplace opening.
- The installation is satisfactory if the smoke is drawn into the fireplace opening. If the smoke is not drawn into the fireplace opening, leave the appliance alight at the maximum setting for a further ten minutes and then repeat the test. If smoke is still not drawn into the appliance ***disconnect the appliance and seek expert advice.***



- If the above test is satisfactory, open all internal connecting doors, hatches, etc. in the room. Keep all doors and windows that open to the outside of the building closed. Switch on any extractor fan installed in the same room as the appliance or a connecting room. Open all doors and other openings between the fan and the appliance. Recheck for spillage as above. If the smoke is drawn into the appliance, continue with the installation. If the test is not satisfactory, ***disconnect the appliance and advise the customer of the cause of failure.***

10.2 Flame supervision and spillage monitoring system.

The pilot unit incorporates a system that will automatically shut off the gas supply if the pilot flame goes out or if there is insufficient oxygen due to spillage or lack of ventilation.

Check that the system operates properly as follows:

- Light the appliance. Set at the "HIGH" position and leave for one minute.

INSTALLER GUIDE

- Turn back to “OFF” to extinguish the pilot. **Note the time when the pilot goes out.** Listen for a snap sound at the gas tap. **Note the time when the sound is heard.** An electromagnetic valve shutting off the gas supply through the tap causes this sound. The valve is located in the body of the tap. The valve should operate **within 60 seconds of the pilot going out.** If the valve does not operate within this time limit do not allow the appliance to be used until the fault has been corrected.

This monitoring system must not be adjusted, bypassed or put out of operation. This monitoring system, or any of its parts, must only be exchanged using Baxi Fires Division authorised parts.

10.3 Final commissioning.

- Visually inspect the appliance. Clean off any marks incurred during installation.
- Hand this guide to the customer.
- *Stress that no extra ceramic fuel effect pieces must be added over and above those supplied with the appliance and that any replacements must only be authorised spares. Warn that ignoring this advice could cause incomplete clearance of the products of combustion with consequent health hazards.*
- Advise the customer how to operate the appliance. Point out that lighting instruction details are contained within the owner guide.
- Explain that this appliance is fitted with an atmosphere-sensing device, ODS pilot unit that will automatically shut off the supply of gas to the fire if, for any reason, the flames go out. It will also shut off the gas supply if the flue is blocked or if there is not enough ventilation. If this device does operate or if the fire is turned off accidentally or intentionally, always wait three minutes before attempting to relight.
- Advise the customer that the fire front and ceramic pieces can be cleaned as described in the owner guide and that the ceramic pieces must be replaced as described in this **installer** guide.
- Recommend that the appliance should be serviced and the chimney inspected by a competent person at least annually.

INSTALLER GUIDE

11. SERVICING & PARTS REPLACEMENT

Always turn off the gas supply before commencing any servicing (The appliance inlet 'T' connector incorporates an isolating valve).

It is recommended that, at least once a year, the appliance is disconnected and the fireplace opening checked and cleared of any debris.

This product uses fuel effect pieces containing Refractory Ceramic Fibres (RCF), which are man-made vitreous silicate fibres. Excessive exposure to these materials may cause irritation to eyes, skin and respiratory tract. Consequently, it is important to take care when handling these articles to ensure that the release of dust is kept to a minimum. To ensure that the release of fibres from these RCF articles is kept to a minimum, during installation and servicing we recommend that you use a HEPA filtered vacuum to remove any dust and soot accumulated in and around the fire before and after working on the fire. When replacing these articles we recommend that the replaced items are not broken up, but are sealed within a heavy duty polythene bag, clearly labelled as RCF waste. This is not classified as "hazardous waste" and may be disposed of at a tipping site licensed for the disposal of industrial waste. Protective clothing is not required when handling these articles, but we recommend you follow the normal hygiene rules of not smoking, eating or drinking in the work area and always wash your hands before eating or drinking.

- Check that the appliance is clean and that soot or debris is not blocking the gaps between the ceramic fuel effect pieces causing an imperfect flame.
- Check that soot or debris is not impairing the electrode spark or pilot burner.
- Check that soot or debris is not blocking any of the slots in the main burner.
- After servicing, make sure that the ceramic fuel effect pieces are replaced correctly as described in this guide.
- **Always test for gas soundness and spillage after servicing the appliance.**

11.1 Checking the aeration setting of the burner.

1. The aeration shutter is factory set. It is important to ensure that the aeration setting is correct (See figure 23).

2. To adjust the aeration setting, loosen the two aeration shutter screws, slide the aeration shutter to the position shown in figure 22 and tighten the fixing screws.

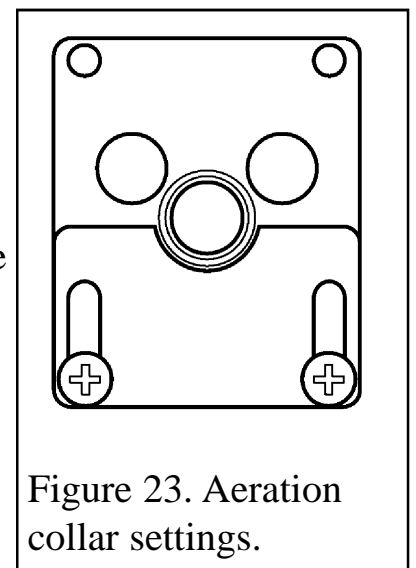


Figure 23. Aeration collar settings.

INSTALLER GUIDE

11.2 To remove the complete burner unit.

1. Remove the firefront and place in a safe position.
2. Remove the ceramic fuel effect. Place in a safe position.
3. Close the valve in the inlet 'T' Connector .
4. Disconnect the appliance from the inlet 'T' Connector.
5. Remove the front leg fastening screw. This is located to the left of the control knob.
6. Lift the burner out of the fireplace opening.
7. Replace in the reverse order.

11.3 To remove the pilot unit.

1. Remove the burner unit (See section 11.2).
2. Detach the pilot pipe from the pilot unit.
3. Detach the thermocouple from the gas valve
4. Detach the electrode lead from the piezo generator.
5. Remove the two screws securing the pilot unit (See figure 24).
6. Refit in the reverse order.

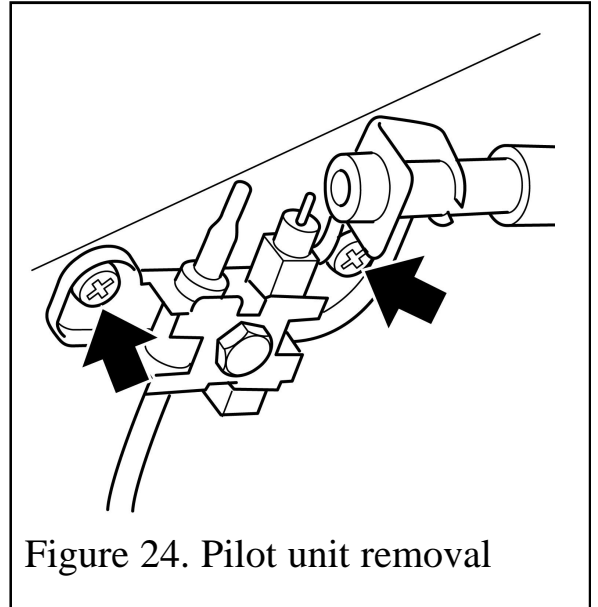


Figure 24. Pilot unit removal

Note: 1. The pilot unit is an atmosphere sensing device. It must be replaced as a whole assembly. Its individual components are not separately replaceable.

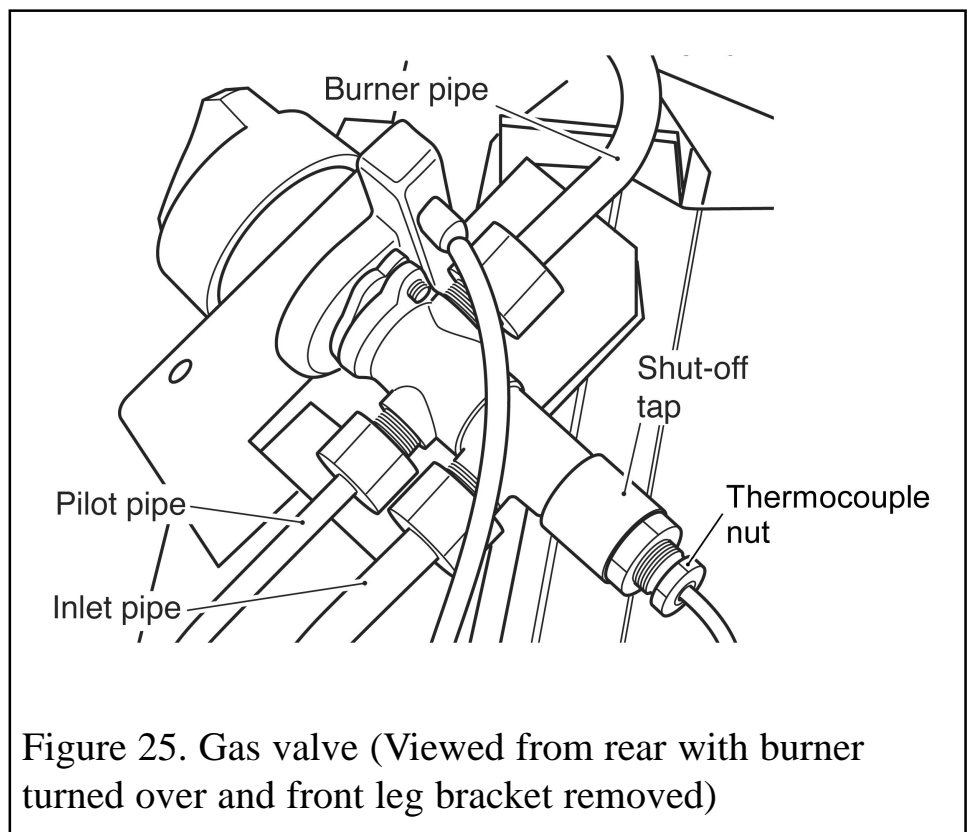


Figure 25. Gas valve (Viewed from rear with burner turned over and front leg bracket removed)

INSTALLER GUIDE

11.4 To remove the gas valve.

(See figure 25).

1. Remove the burner unit - See section 11.2.
2. If lying the burner on its back, ensure that the work surface is suitably protected This will avoid damage to the work surface. Turn the burner unit upside down. Detach the thermocouple from the tap
3. Detach the pilot pipe from the tap.
4. Detach the inlet pipe.
5. Detach the injector pipe
6. Detach the electrode lead from the base of the electrode
7. Remove the control knob by pulling forward.
8. Remove the thermocouple by unscrewing the thermocouple nut at the gas valve.
9. Remove the hexagonal nut securing the gas valve to the mounting bracket.
10. Remove the gas valve
11. Refit in the reverse order.

11.5 To replace the burner.

(See figure 26).

1. Remove the burner unit (See section 11.2).
2. Support the elbow injector and unscrew the injector nut.
3. Remove the two screws from the burner clamping plate (See figure 26).
4. Lift the right hand side of the burner, slide it to the right and lift clear
5. Refit in reverse order.

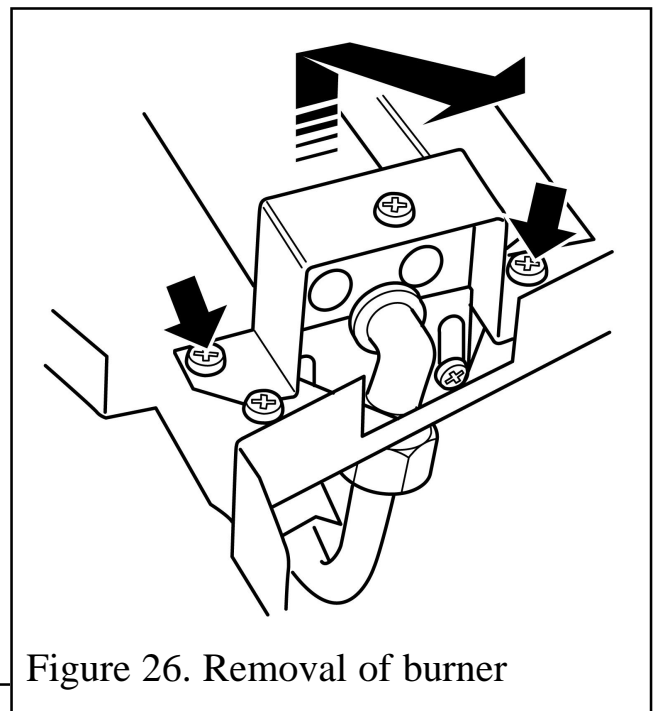


Figure 26. Removal of burner

11.6 To remove the main burner injector.

(See figure 27).

1. Remove the burner (See section 11.5).
2. Remove the burner clamping screw (See figure 27)
3. Unscrew the injector from the burner
4. Refit in the reverse order.

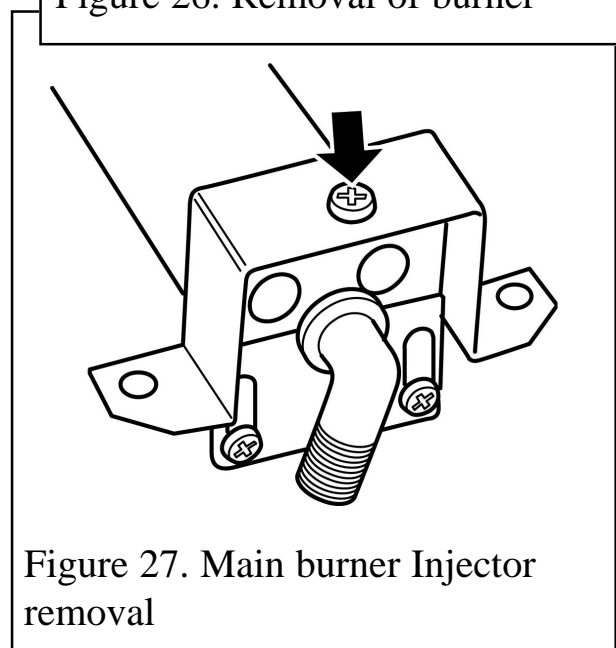


Figure 27. Main burner Injector removal