



INSTALLATION AND OPERATING GUIDE

MODEL 812

ELECTRIC STOVE



This guide is intended to help you install and care for your Wickes electric stove. Please read carefully before installing and using your stove.

Important

Please keep your Guide in a safe place for future reference

Customer Care

All our appliances are designed to meet the most stringent quality, performance and safety requirements to provide our customers with many years of trouble free service. This guide aims to improve your understanding and appreciation of your new stove by providing simple and informative instructions to enable you to install it and to ensure that you benefit from the excellent performance and features it has to offer.

Important Safety Instructions

It is important that the following safety instructions are followed

Always

- install the stove in accordance with these instructions. If in doubt, obtain expert advice.
- make sure that the electrical socket is accessible and located adjacent to, but not above or below, the stove.
- disconnect the stove from the electrical supply before carrying out cleaning, maintenance or replacing lamps.
- use a fireguard when young children and infirm persons can come into contact with the stove.
- use genuine spares.

Never

- leave children unsupervised in a room where the stove is on.
- obstruct or cover the fan outlet, cover the stove or force items into the stove openings.
- use aerosols on or around the stove.
- position furniture, curtains or other combustible materials within one metre of the stove.
- use the stove to dry clothes etc.
- operate the stove via a time switch. This could cause a fire risk if any clothing, fabrics or other combustible materials are accidentally left placed over the stove when it switches on.
- sit or stand on the heater.

Siting

This stove is designed to be free standing on a level surface but when siting it please bear the following points in mind.

- ▶ Never use the stove anywhere where water is in use, i.e. bathrooms, shower rooms etc.
- ▶ If you are placing it in an alcove, make sure that the side clearances are at least as shown in figure 1.
- ▶ Although your stove complies with all the safety standards some types of floor coverings (e.g. vinyl tiles, synthetic deep pile carpets) may be affected by the hot air from the fan. If this could apply to your floor covering, we suggest that you place the stove on a shallow plinth which projects approximately 200mm forward of the front feet (See figure 1).
- ▶ Keep loose hearthrugs etc. away from the front of the stove. They could obstruct the free flow of hot air from the fan.
- ▶ Do not locate the stove immediately under a fixed electrical socket. The socket must always be accessible so that the stove can be easily disconnected.
- ▶ Do not route the mains supply cable under carpet etc.

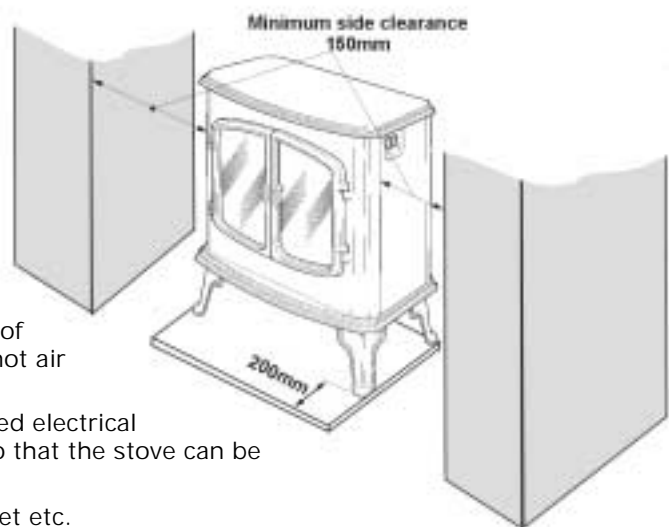


Figure 1

Installation

Important! This appliance must be earthed.

The stove is supplied with a 3 pin 13A fused rewirable plug with a 1mm² 3core mains flex.

If the plug is not suitable for your socket, remove the plug and fit an appropriate plug. **If in doubt, consult a qualified electrician.**


The wires in the mains lead are coloured in accordance with the following code:-

Green & Yellow = Earth

Blue = Neutral

Brown = Live

As the colours of the wires in the mains lead may not correspond with the coloured markings identifying the terminals in your plug, fit the wires as follows:-

The wire which is coloured **Green & Yellow** must be connected to the terminal in the plug which is marked with the letter **E** or by the earth symbol  or coloured **Green** or **Green & Yellow**.

The wire which is coloured **Blue** must be connected to the terminal which is marked with the letter **N** or coloured **Black**.

The wire which is coloured **Brown** must be connected to the terminal which is marked with the letter **L** or coloured **Red**.

If the mains cable is damaged then, for your safety, it must be replaced with an approved cable by your authorised service agent or a qualified electrician.

The stove is supplied fully assembled except for the coals.

A plastic glove is supplied for use when handling the coals.

Place the stove in its proper location.

Open the stove doors.

Open the bag containing the coals. Using the plastic glove supplied, place the coals on and in front of the plastic fuel support. Arrange the coals to your liking. You do not have to use all the coals.

Close the stove doors.

Route the mains cable to the socket. Plug in and switch on at the socket.

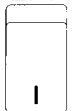
Operation

Never cover the stove or obstruct the fan outlet grille under the stove. This could cause overheating and a consequent risk of fire.

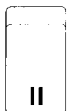
The controls are near the top of the right side of the stove.



Main on - off switch. In the on () position the flame effect light is on.



Half Heat switch (1kW). Blows hot air. The flame effect light is on.



Full heat switch (2kW). Blows hot air. The flame effect light is on.

Safety cut-out

Your stove incorporates a thermal cut-out in the heating element to prevent damage due to overheating. The cut-out will operate if the fan air outlet is obstructed. If this happens, switch the stove off, disconnect the mains plug from the socket and allow the stove to cool then remove the obstruction if possible. If the obstruction can not be removed or if the cut-out operates for some other reason, leave the stove switched off and contact your service agent or other qualified electrician.

Maintenance

Always disconnect the stove from the electricity supply socket and allow the stove to cool before commencing any maintenance.

Lamp Replacement

The lamps fitted to this stove are long life types but, due to the indeterminate life span and ease of replacement, they are specifically excluded from the guarantee

Open the stove door.

Lift out the coals and the fuel support and place on a sheet of paper. See figure 2.

Remove the lamp by carefully rotating it anti-clockwise until it comes out of the holder.

Replace with a **60W clear Edison screw** lamp. Do not use opaque or coloured lamps.

Refit the fuel support and coals.

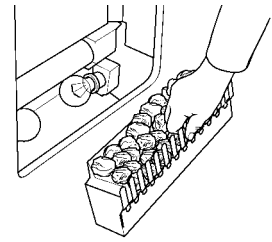


Figure 2

Cleaning

The stove surfaces and door glass should only need occasional wiping with a soft dry cloth. Do not use polishes or abrasive cleaners.

Use a vacuum cleaner with a soft brush attachment occasionally to remove any dust or fluff from the fan air outlet grille underneath the stove.

Fault Finding

No light or low light level from the flame effect but fan and heater element are working: Most likely due to a lamp failure. Check and change any defective lamp as described above. If the lamps are not defective and are correctly screwed into the holders but the fault persists get expert advice.

No heat but the fan and flame effect light are working: The thermal safety cut-out may have operated. The cut-out will operate if the fan air outlet is obstructed. Switch the stove off, disconnect the mains plug from the socket and allow the stove to cool. Look for and remove any obstruction if possible. If an obstruction can not be removed, or if the cut-out operates for some other reason, leave the stove switched off and get expert advice.

No heat or flame effect light and the fan is not working: Check that the fuse in the stove plug is functional. If so, check that the wall socket is satisfactory by plugging in another appliance which you know is working. If there is no problem with the fuse or socket, disconnect the stove and get expert advice.

Disposal

At the end of its serviceable life, dispose of the appliance thoughtfully and safely and in accordance with any national or local regulations. We suggest that you cut the mains cable from the stove to prevent any future unsafe use of the appliance.

Wickes Helpline

If you require any further assistance please call the **Wickes Helpline** on **0161 366 4224**

To help us quickly help you, please try to have the following information available before you contact us.

- **Your Post Code**
- **Type of Fire**
- **Model / Name**
- **Serial Number**
- **The fault, problem or request**