

INSTALLER AND OWNER GUIDE

Model 805 Electric Heater

Fitted with the following firefronts

Alsace

or

Tudor



This guide is intended to help you install and care for your Valor electric heater. Please read carefully before installing and using your heater. However, if further information is required, our **Valor Technical Helpline** will be pleased to help.

Telephone **08706 061 065** (National call rates apply in the United Kingdom)

In the Republic of Ireland call 0044 08706 061 065

Important: Please keep your guide in a safe place for future reference

INSTALLER AND OWNER GUIDE

Safety First.

Valor fires are CE Approved and designed to meet the appropriate British Standards and Safety Marks.



Quality and Excellence.

At the heart of every Valor fire.

All Valor fires are manufactured to the highest standards of quality and excellence and are manufactured under a BS EN ISO 9001 quality system accepted by the British Standards Institute.



Valor Heating, Erdington, Birmingham B24 9QP
www.valor.co.uk

Because our policy is one of constant development and improvement, details may vary slightly from those given in this publication

INSTALLER AND OWNER GUIDE

CUSTOMER CARE

Thank you for choosing Valor

All Valor heaters are designed to meet the most stringent quality, performance and safety requirements to provide our customers with many years of trouble free service.

This guide aims to improve your understanding and appreciation of your new Valor heater, by providing simple and informative instructions to enable you to install it and to ensure that you benefit from the excellent performance and features it has to offer.

If you require further assistance, the Valor Technical Helpline will be pleased to help.

Please telephone 08706 061065 (local rates apply in the United Kingdom)

FOR OTHER USEFUL TELEPHONE NUMBERS SEE THE BACK COVER

IMPORTANT SAFETY INSTRUCTIONS

Before continuing any further with the installation of this appliance please read the following guide to manual handling

- The lifting weight of this appliance is as below: -

<u>Model</u>	<u>Weight (kG)</u>
Alsace	8.26
Tudor	11.73

- One person should be sufficient to lift the fire. If for any reason this weight is considered too heavy then obtain assistance.
- When lifting always keep your back straight. Bend your legs and not your back.
- Avoid twisting at the waist. It is better to reposition your feet.
- Avoid upper body/top heavy bending. Do not lean forward or sideways whilst handling the fire.
- Always grip with the palm of the hand. Do not use the tips of fingers for support.
- Always keep the fire as close to the body as possible. This will minimise the cantilever action.
- Use gloves to provide additional grip.
- Always use assistance if required.

INSTALLER AND OWNER GUIDE

Always

- **Always** install the heater in accordance with the instructions. If in doubt obtain expert advice.
- **Always** make sure the electrical socket is accessible and located adjacent to, but not above the heater.
- **Always** disconnect the heater from the electrical supply before carrying out cleaning, maintenance or replacing the lamp.
- **Always** make sure the heater is firmly secured to the fireplace opening to prevent the heater from being tipped over.
- **Always** use a fireguard when young children and infirm persons can come into contact with the heater.
- **Always** use genuine Valor spares.

Never

- **Never** leave children unsupervised in a room where the heater is ON and unguarded.
- **Never** obstruct or cover the fan outlet or force items into heater openings.
- **Never** install or use the heater anywhere where water is in use, i.e. Bathrooms, Shower Rooms, Swimming Pools etc.
- **Never** use aerosols or steam cleaners on or around the heater.
- **Never** route the mains supply cable under carpet etc.
- **Never** install the heater close to curtains or combustible materials.
- **Never** use the heater to dry clothes etc.
- **Never** sit or stand on the heater.

INSTALLATION

Location

The heater is intended for use in an opening generally conforming to British Standard 1251 for a nominal 400mm (16in) or 450mm (18in) fireplace opening. It may also be located in other fireplace openings or wooden surrounds where the following dimensions are available.

Width	390 - 450 mm
Height	555 - 590 mm
Depth	At least 75mm

INSTALLER AND OWNER GUIDE

Spacers and Wall Kits:

The heater is of a slim design and should suit most fireplace openings and fire surrounds, however there may be some applications that require the need for either a spacer or flat wall kit.

These optional kits are obtainable either from the your heater supplier or direct from Valor Sales.

The kits are:

For 60mm (2.1/2") Surround Rebate - 20mm Spacer Kit No. 05801R1

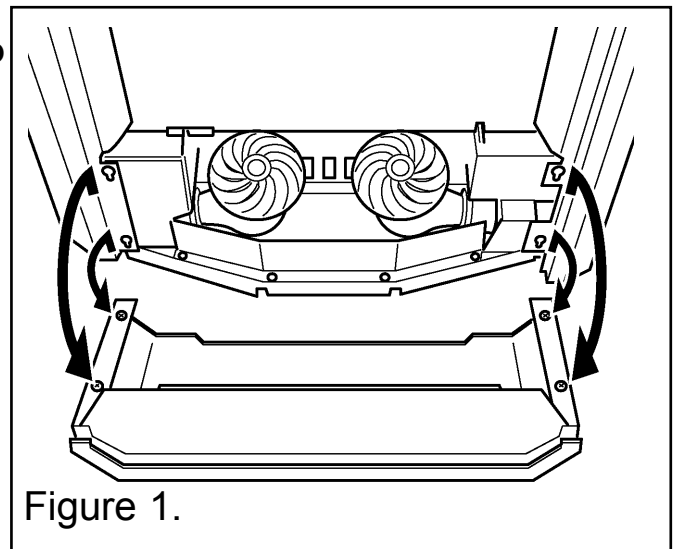
For Flat Wall (no recess) - 75mm Wall Kit No. 05801T1

Installation

- The heater must be fixed into position to prevent it from being tipped over.
- Screw fixing and wire fixing options are available. The parts required for both fixing options are included with all appliances.
- The heater must not be located under a fixed electrical socket. The socket must always be accessible in order to disconnect the heater from the electrical supply for maintenance or when replacing a lamp.
- **Important! This heater must be earthed.** The heater is supplied with a 3 pin 13A fused re-wireable plug with 1mm². 3 core mains cable,
L = Brown N = Blue E = Green/Yellow
- The mains supply cable must be safely routed from the heater to an electrical socket. Provision is made for left/right or rear cable entry. Using one of the three cable guides at the base of the heater. To relocate, open the appropriate latch on the cable guide and refit the mains cable into the required position. If the mains cable is damaged, to avoid a hazard it must be replaced by a Valor authorised service agent, or a similarly qualified person.
- The heater body should be fixed in position before the front surround is finally fitted.
- **Please study the illustrations carefully to avoid damage to the heater.**

Front Removal - (Alsace model only)

- Remove the tape holding the lower front & coal support to the heater base.
- Carefully lift the lower front & coal support up to release it from the keyholes in the surround and then pull forward and clear.



INSTALLER AND OWNER GUIDE

See figure 1.

Both models

- Carefully remove the front surround by removing the two trim fixing screws and lifting upwards and forward - See figure 2.
- Keep the lower front, front surround and screws in a safe place when installing the fire.
- Offer the heater body to the fireplace opening to ensure that it will fit before continuing to install.

Appliance Fixing

Method A - Screw Fix

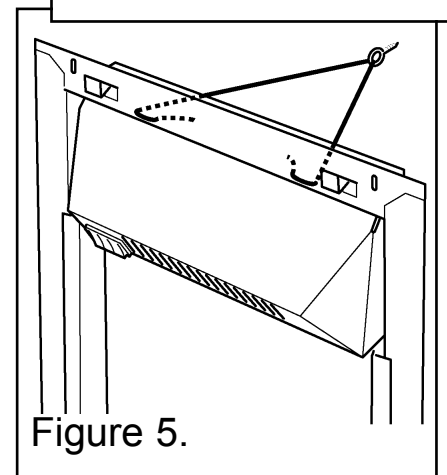
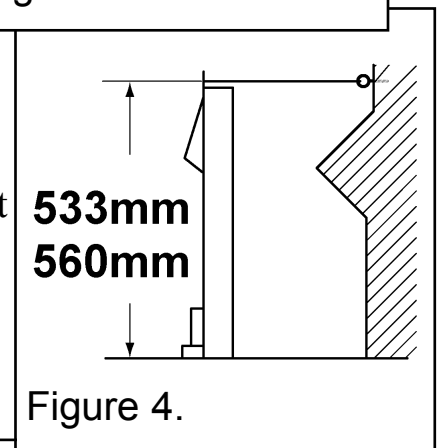
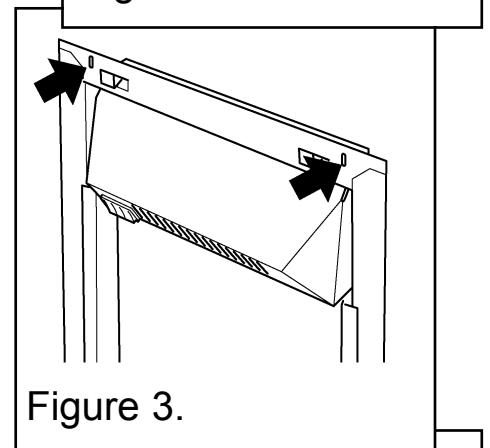
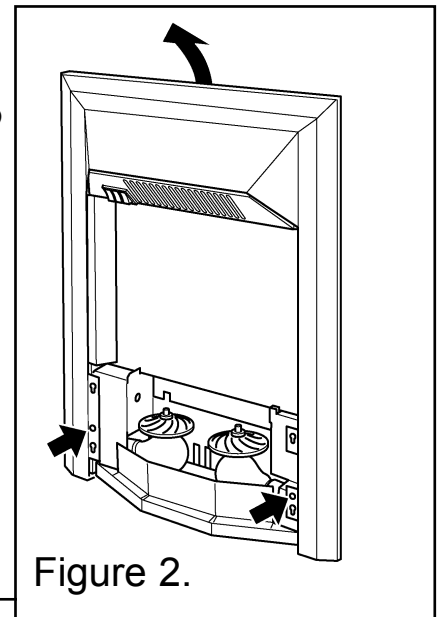
- There are two slots in the top flange - See figure 3. Mark the fixing position through the slots. Remove the heater.
- Drill a hole with a No.12 drill bit at each marked position.
- Insert the wall plugs provided.
- Reposition the heater body and screw through the slots to provide a secure fixing.

Method B - Wire Fix

- A steel wire and eyebolt are supplied to attach the heater to the back of the fireplace opening.
- Mark the position for the eyebolt at the back of the fireplace opening equal to the centre line of the heater and at a height of 533 - 560mm. Drill, plug and screw in the eyebolt - See figure 4.
- Thread one end of the steel wire through two holes in the top flange, passing the wire through the eyebolt and out through one of the opposite holes on the top flange - See figure 5.
- Place the heater in the fireplace opening, then by gently pulling the steel wire, gather up the excess until the heater is firm. Thread the wire back through the remaining hole to lock the wire and heater in place - See figure 5.

Method C - With optional 20mm Wall Spacer

- The spacer should be fixed to the fireplace opening or surround using the screws provided. The heater must then be fixed to the spacer using the screws provided. (See kit



INSTALLER AND OWNER GUIDE

instructions).

Method D - With optional 75mm Wall Spacer Kit

- The wall kit should be securely fixed to the wall using the screws provided. The heater must then be fixed to the wall kit (see kit instruction). If fixing through marble, ensure that both rawlplug and screw pass freely through the marble.

Secondary Screw fixing

- If necessary, the heater can be additionally secured by screws through the side flanges - see figure 6.

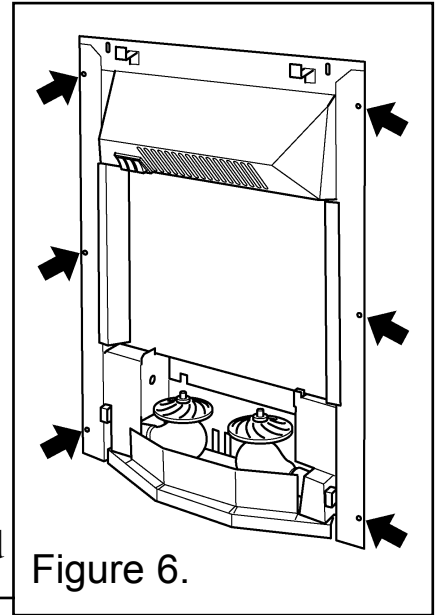


Figure 6.

Assembly of Front

- Carefully lift the front surround. Hook the front surround onto the retaining plates on the heater body and lower the front surround down - See figure 7.
- Fix the front surround to the heater body with the two screws previously removed.

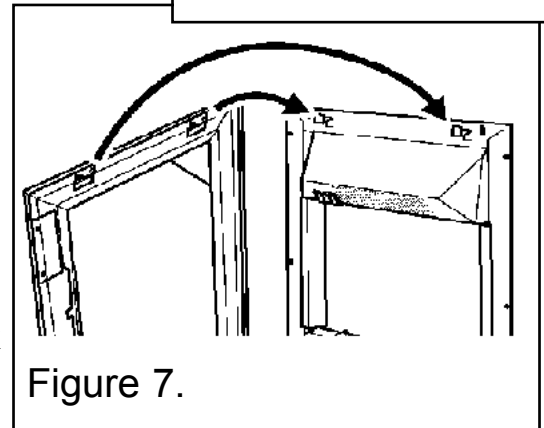


Figure 7.

Final Assembly

- **Alsace model:** Refit the lower front & coal support by locating the four screw heads at the back into the keyholes in the surround and then lowering the support.
- **Tudor model:** Fit the lower firefront casting & coal support by locating the two screw heads at the back into the keyholes in the surround and then lowering.
- Open the polythene bag containing the loose coals and place them on top of the coal support to give the most pleasing effect. It is not necessary to use all the coals supplied.

Operating the Heater

Never cover the heater. There is a risk of fire if it is covered.

The heater is operated by three switches, located below the canopy.

Switch 1 = **O**  Main On - Off

In the On position only the fuel effect light operates

Switch 2 = **I** 1kW fan heat setting and fuel effect

Switch 3 = **II** 2kW fan heat setting and fuel effect

INSTALLER AND OWNER GUIDE

The switches are mechanically interlocked, so when switch 1 is turned off, all switches turn off.

Maintaining Your Fire

Always disconnect the heater from the electricity supply by removing the 3 pin plug and allowing the heater to cool before undertaking maintenance or replacing lamps.

Lamp Replacement

The lamps fitted to this heater are long life types, but due to the indeterminate life span and ease of replacement are specifically excluded from the guarantee.

To replace a lamp.

- Remove the loose coals.
- Carefully lift the lower front / firefront casting & coal support up to release it from the keyholes in the surround and then pull forward and clear.
- Replace with a **60W (maximum) Fireflame (Red) Edison screw** lamp. Do not use opaque bulbs. Dispose of the old lamp safely.
- Refit the lower front & coal support and the coals.

Automatic Cut Out

A cut-out is fitted to the heating element to prevent damage due to over heating.

- If the cut-out operates due to an obstruction in the airflow, the heater must be turned off and allowed to cool for 15 minutes and the obstruction must be removed before restarting.

Care and Cleaning

- The canopy trims and glass parts need only to be wiped clean with a dry soft cloth, do not use polishes or abrasive materials.

Fault Finding

No or low light from the fuel effect: Possibly a lamp failure. Remove the lamp as detailed above and, if available, check it in a table lamp with Edison screw thread, that is known to work.

No heat or light: Check the wall socket by plugging in a known working appliance. If functional, check the 13A fuse in the heater plug. If either fuse or socket is suspected, have them checked by an electrician.

Light but no heat: The automatic cut out, may have operated, see above.

Disposal

At the end of the heater's serviceable life it should be disposed of thoughtfully and safely in accordance with local authority regulations. The plug should be removed from

INSTALLER AND OWNER GUIDE

the mains cable and the mains cable cut from the heater.

Useful Telephone Numbers

To help us quickly help you, please try to have the following information available before you contact us:

- Your Post Code
- Type of Fire
- Model / Name
- Serial Number
- The fault, problem or request

General advice about gas and your gas fire:

VALOR TECHNICAL HELPLINE 08706 061 065.

To report faults or arrange for your fire to be serviced:

VALOR SERVICE 08706 090 081.

For sales or product information:

VALOR SALES 08706 061 067.

For spares inquiries

Spare parts are available nationwide via the ‘interpart stockist network’. For your local stockist consult Yellow pages under ‘Central Heating’.

CALLERS IN THE REPUBLIC OF IRELAND

Call 0044 08706 061 065