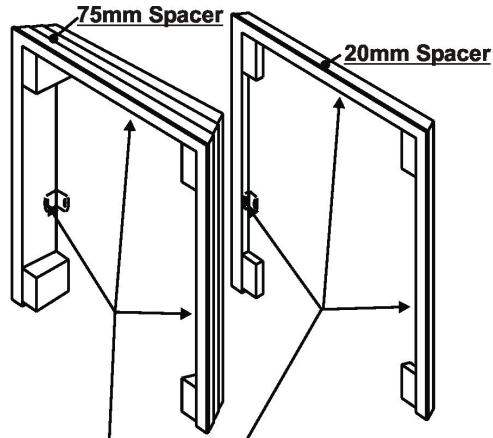
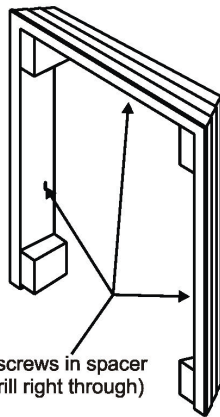


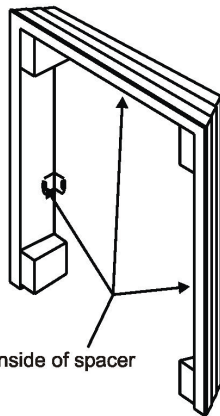
SPACER INSTALLATION for MODELS 801 & 802



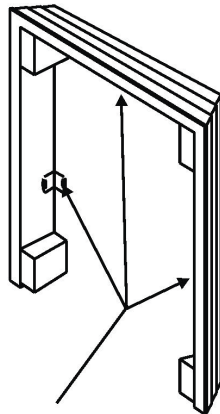
- ① Mark position of fixing brackets on spacer
(Brackets and screws supplied with spacer kit)



- ② Drill pilot holes for screws in spacer
(Take care not to drill right through)

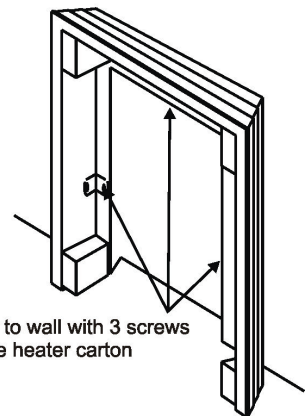
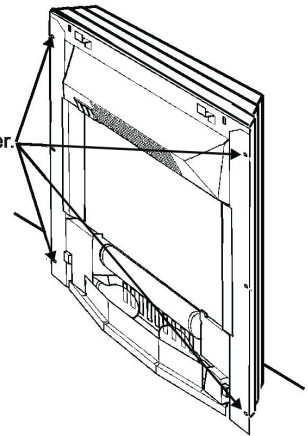


- ③ Screw brackets to inside of spacer

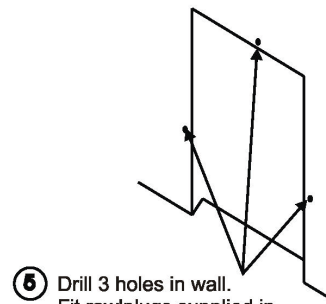


- ④ Place spacer against wall in desired position
Mark wall fixing positions through holes in brackets

- ⑦ Position heater in front of spacer.
Mark through 4 fixing holes
Drill pilot holes in spacer
Screw heater to spacer using
4 screws supplied with the kit



- ⑥ Screw spacer to wall with 3 screws
supplied in the heater carton



- ⑤ Drill 3 holes in wall.
Fit rawlplugs supplied in
the heater carton