

# VALOR FIRES

## INSTALLER AND OWNER GUIDE

### Model 757

REMOTE CONTROL  
INSET LIVE FUEL EFFECT GAS FIRE

Fitted with one of the following fascia.

Splendour Landscape Stone

Splendour Portrait Stone

Splendour Portrait Black.

(GC No. 32-264-22)



We trust that this guide gives sufficient details to enable this appliance to be installed and maintained satisfactorily. However, if further information is required, our **Valor Fires Technical Helpline** will be pleased to help.

Telephone **0844 8711 565** (National call rates apply in the United Kingdom).

In the Republic of Ireland  
Telephone **0044 844 8711 565**.



**BAXI • VALOR • WONDERFIRE**

**INSTALLER: Please leave this guide with the owner**

**THIS APPLIANCE IS FOR USE WITH NATURAL GAS (G20).**

**WHEN CONVERTED USING CONVERSION KIT NO. 0575621 THIS  
APPLIANCE IS FOR USE WITH PROPANE GAS (G31).**

**THIS APPLIANCE IS SUITABLE ONLY FOR INSTALLATION IN THE UNITED  
KINGDOM (GB) AND THE REPUBLIC OF IRELAND (IE).**

**© Baxi Heating U.K. Limited 2009.**

All rights reserved. No part of this publication may be reproduced in any material form (including photocopying), stored in any medium by electronic means (including in any retrieval system or database) or transmitted, in any form or by any means, whether electronic, mechanical, recording or otherwise, without the prior written permission of the copyright owner.

Applications for the copyright owner's permission to reproduce any part of this publication should be made, giving details of the proposed use, to the following address: The Company Secretary, Baxi Heating UK Limited, The Wyvern Business Park, Stanier Way, Derby, DE21 6BF.

Warning: Any person who does any unauthorised act in relation to a copyright work may be liable to criminal prosecution and civil claims for damages.

**VALOR FIRES**

Valor Fires, Erdington, Birmingham B24 9QP  
[www.firesandstoves.co.uk](http://www.firesandstoves.co.uk)

Because our policy is one of constant development and improvement, details may vary slightly from those given in this publication

## **Safety First.**

Valor Fires fires are CE Approved and designed to meet the appropriate British Standards and Safety Marks.



## **Quality and Excellence.**

All Valor Fires fires are manufactured to the highest standards of quality and excellence and are manufactured under a BS EN ISO 9001 quality system accepted by the British Standards Institute.



## **The Highest Standards**

Valor Fires is a member of SBGI and HHIC (Heating and Hot water Industry Council) which works to ensure high standards of safety, quality and performance.



## **Careful Installation**

This gas fires must be installed by a competent GAS SAFE REGISTER engineer (GAS SAFE REGISTER or CORGI engineer outside of UK) in accordance with our installer guide and should not be fitted directly on to a carpet or floor of combustible material.



# INSTALLER GUIDE

FOR OWNER GUIDE SEE PAGES 40 TO 55

# INSTALLER GUIDE

## CONTENTS

<b><u>Section</u></b>	<b><u>Heading</u></b>	<b><u>Page</u></b>
	<b>INSTALLER GUIDE</b>	<b>4 - 39</b>
	<b>OWNER GUIDE</b>	<b>40 - 55</b>
<b>1.</b>	<b>SAFETY</b>	<b>7</b>
<b>2.</b>	<b>ACCESSORY LIST</b>	<b>8</b>
<b>3.</b>	<b>APPLIANCE DATA AND EFFICIENCY</b>	<b>8</b>
	3.1 General information.	8
	3.2 Efficiency.	9
<b>4.</b>	<b>GENERAL INSTALLATION REQUIREMENTS</b>	<b>9</b>
	4.1 Regulations, Standards and Law.	9
	4.2 Ventilation requirements.	10
	4.3 The Atmosphere sensing device (ASD).	10
	4.4 Fireguard requirements.	10
	4.5 Room considerations.	11
	4.6 Chimney preparation.	11
	4.7 Fireplace preparation.	11
	4.8 The hearth.	12
	4.9 Fireplace clearances.	12
	4.10 Installation options.	14
	4.10.1 Conventional fireplace and hearth.	14
	4.10.1.1 'Hole-in-the-wall' installations.	15
	4.10.2 Metal flue box and hearth.	15
	4.10.3 Precast concrete or clay flue block system and hearth.	16
	4.11 Flues.	16
<b>5.</b>	<b>PACK CONTENTS</b>	<b>18</b>
<b>6.</b>	<b>FIREPLACE CHECK</b>	<b>20</b>
	6.1 Fireplace check.	20
	6.2 Fireplace flue pull.	20
<b>7.</b>	<b>IGNITION CHECK</b>	<b>21</b>
	7.1 Fitting batteries to the remote control handset.	21
	7.2 Fitting batteries to the receiver box.	21
	7.3 Setting the handset and receiver relationship.	22
	7.4 Checking the ignition operation.	22
<b>8.</b>	<b>GAS SUPPLY CONNECTION</b>	<b>23</b>
<b>9.</b>	<b>PREPARING APPLIANCE FOR INSTALLATION</b>	<b>23</b>

Continued on next page

# INSTALLER GUIDE

## CONTENTS (Continued)

<u>Section</u>	<u>Heading</u>	<u>Page</u>
<b>10.</b>	<b>HOTBOX INSTALLATION</b>	<b>26</b>
10.1	Cable retention and floor fixing.	26
10.2	Sealing Hotbox to fireplace opening.	28
10.3	Fitting the wall brackets.	30
<b>11.</b>	<b>BURNER &amp; SUPPLY PIPE INSTALLATION</b>	<b>30</b>
11.1	Fitting the burner.	30
11.2	Supply pipe installation.	30
11.3	Burner checks.	30
11.3.1	Lighting the fire.	30
11.3.2	Adjusting flame height.	31
11.3.3	Adjusting to pilot only setting.	31
11.3.4	Turning off.	31
11.4	Check inlet pressure.	31
<b>12.</b>	<b>FASCIA INSTALLATION</b>	<b>32</b>
12.1	Fitting the fascia.	32
12.2	Fitting the heat baffle.	32
12.3	Removing marks.	32
<b>13.</b>	<b>FULL OPERATING CHECKS</b>	<b>33</b>
13.1	Check the burner operation.	33
13.2	Check for spillage.	33
13.3	Flame supervision and spillage monitoring system.	34
<b>14.</b>	<b>FINAL REVIEW</b>	<b>34</b>
<b>15.</b>	<b>SERVICING &amp; PARTS REPLACEMENT</b>	<b>35</b>
15.1	To remove the fascia.	36
15.2	To remove the burner unit.	36
15.3	To remove the spillage plate.	37
15.4	To remove the inner panel.	37
15.5	To remove the pilot unit.	37
15.6	To remove the gas valve.	38
15.7	To remove the receiver box.	38
15.8	To replace the top surface of the burner.	39
15.9	To replace the burner (bowl).	39
15.10	To remove the burner injector.	39
15.11	To remove the appliance from the fireplace.	39

# INSTALLER GUIDE

## 1. SAFETY

### Installer

Before continuing any further with the installation of this appliance please read the following guide to manual handling:

- The approximate lifting weight (kg) of this appliance is as below:

<u>Model</u>	<u>Convector box</u>	<u>Heat engine</u>	<u>Fascia</u>	<u>Total</u>
Splendour Landscape Stone	5.56	9.31	27	41.87
Splendour Portrait Stone	5.56	9.31	20	34.87
Splendour Portrait Black	5.56	9.31	20	34.87

- Without the fascia fitted, one person should be sufficient to lift the fire. If for any reason this weight is considered too heavy then obtain assistance. **The fascia is heavy and we recommend two people should be sufficient to lift it.**
- When lifting always keep your back straight. Bend your legs and not your back.
- Avoid twisting at the waist. It is better to reposition your feet.
- Avoid upper body/top heavy bending. Do not lean forward or sideways whilst handling the fire.
- Always grip with the palm of the hand. Do not use the tips of fingers for support.
- Always keep the fire as close to the body as possible. This will minimise the cantilever action.
- Use gloves to provide additional grip.
- Always use assistance if required.

This product uses a burner gasket and burner surface containing Refractory Ceramic Fibres (RCF), which are man-made vitreous silicate fibres. Excessive exposure to these materials may cause irritation to eyes, skin and respiratory tract. Consequently, it is important not to touch or disturb the burner surface to ensure that the release of dust is kept to a minimum. To ensure that the release of fibres from these RCF articles is kept to a minimum, during installation and servicing we recommend that you use a HEPA filtered vacuum to remove any dust and soot accumulated in and around the fire before and after working on the fire. Do NOT vacuum the burner surface. When replacing the burner surface we recommend that the replaced items are not broken up, but are sealed within a heavy duty polythene bag, clearly labelled as RCF waste. RCF waste is classed as a stable, non-reactive hazardous waste and may be disposed at a landfill licenced to accept such waste. Protective clothing is not required when handling these articles, but we recommend the use of suitable gloves to prevent irritation. We also recommend you follow the normal hygiene rules of not smoking, eating or drinking in the work area and always wash your hands before eating or drinking.

This appliance does not contain any component manufactured from asbestos or asbestos related products.

# INSTALLER GUIDE

## 2. ACCESSORY LIST

The following accessories are available: -

<u>Description</u>	<u>Part Number</u>
LPG conversion kit	0575621
Hearth (Stone colour) (W) 825mm, (D) 300mm, (H) 50mm	5121114
Hearth (Black colour) (W) 825mm, (D) 300mm, (H) 50mm	5121322

## 3. APPLIANCE DATA AND EFFICIENCY

### 3.1 General information.

<b>Gas</b>	<b>Natural (G20)</b>	<b>Propane (G31)*</b>
Inlet Pressure	20mbar	37mbar
Input Max. (Gross)	5.3kW (18,084 Btu/h)	5.3kW (18,084 Btu/h)
Input - Min. (Gross)	3.2kW (10,918 Btu/h)	4.3kW (14,672 Btu/h)
Inlet Test Pressure (Cold)	20.0 ± 1.0mbar (8.0 ± 0.4in w.g.)	37.0 ± 1.0mbar (14.85 ± 0.4in w.g.)
Gas Connection	8mm pipe	8mm pipe
Burner Injector	Stereomatic size 170	Stereomatic Size 115
Pilot & Atmosphere Sensing Device	OPNG 9030	OPLPG 9222
Ignition	Battery powered electronic remote control.	Battery powered electronic remote control.
Aeration	Non-adjustable	Non-adjustable

\* When converted using conversion kit number 0575621.

The appliance information label is located on a plate at the base of the fire. This can be seen by lowering the bottom front cover of the fascia.



# INSTALLER GUIDE

## 3.2 Efficiency.

The efficiency of this appliance has been measured as specified in BS 7977 - 1 and the result is as below:

<u>Model</u>	<u>Efficiency % (Gross)</u>
757	47
757 when converted to LPG.	47

The gross calorific value of the fuel has been used for this efficiency calculation. The test data from which it has been calculated has been certified by Advantica Certification services (0087). The efficiency value may be used in the UK Government's Standard Assessment Procedure (SAP) for energy rating of dwellings.

The conversion of **net** efficiency to **gross** was achieved by multiplying the net efficiency by the following conversion factor from Table E3 of SAP 2005, rounding down to the nearest whole number.

Gas	Conversion factor from <b>net</b> to <b>gross</b> efficiency
Natural Gas	0.901
LPG	0.921

## 4. GENERAL INSTALLATION REQUIREMENTS

### 4.1 Regulations, Standards and Law.

The installation must be in accordance with these instructions.

For the user's protection, in the United Kingdom it is the law that all gas appliances are installed by competent persons in accordance with the current edition of the Gas Safety (Installation and Use) Regulations. Failure to install the appliance correctly could lead to prosecution. GAS SAFE REGISTER and CORGI require their members to work to recognised standards.

In the United Kingdom the installation must also be in accordance with:

All the relevant parts of local regulations.

All relevant codes of practice.

The relevant parts of the current editions of the following British Standards:-

BS EN 1856 Part 1 - Chimneys - Requirements for metal chimneys.

BS 715 - Specification for metal flue boxes for gas-fired appliances not exceeding 20kW.

BS EN 1858 - Chimneys - Components - Concrete flue blocks.

BS EN 1806 - Chimneys - Clay / ceramic flue blocks.

BS EN 1856 Part 1 - Chimneys - Requirements for metal chimneys.

BS 5440 Part 1 - Installation of flues.

# INSTALLER GUIDE

BS 5440 Part 2 -	Installation and maintenance of flues and ventilation for gas appliances of rated input not exceeding 70 kW net (1st, 2nd and 3rd family gases).
BS 6461 Part 1 -	Masonry chimney & flues - Installation.
BS 1251 -	Fireplace components.
BS 5871 Part 2 -	Installation - Inset LFE gas fires.
BS 6891 -	Gas pipework installation.

- In England and Wales, the current edition of the Building Regulations issued by the Department of the Environment and the Welsh Office.
- In Scotland, the current edition of the Building Standards (Scotland) Regulations issued by the Scottish Executive.
- In Northern Ireland, the current edition of the Building regulations (Northern Ireland) issued by the Department of the Environment for Northern Ireland.
- In the republic of Ireland the installation must be carried out by a competent person and also conform to the relevant parts of:
  - a) The current edition of IS 813 “Domestic Gas Installations”
  - b) All relevant national and local rules in force.

Where no specific instructions are given, reference should be made to the relevant British Standard Code of Practice.

## 4.2 Ventilation requirements.

Normal adventitious ventilation is usually sufficient to satisfy the ventilation requirements of this appliance. In GB reference should be made to BS 5871 Part 2 and in IE reference should be made to the current edition of IS 813 “Domestic Gas Installations” which makes clear the conditions that must be met to demonstrate that sufficient ventilation is available.

## 4.3 The Atmosphere sensing device (ASD).

The appliance is fitted with an A.S.D (Atmosphere sensing device). If the appliance closes down after a period of operation for no apparent reason, the consumer should be informed to stop using the appliance until the installation and appliance have been thoroughly checked. The A.S.D will shut the appliance down if an unacceptable amount of harmful products of combustion accumulate. Under no circumstances should the A.S.D be altered or bypassed in any way. Only a genuine manufacturer’s replacement part should be fitted. The individual A.S.D components are not replaceable.

## 4.4 Fireguard requirements.

A fireguard complying with BS 8423 should be fitted for the protection of young children, the elderly, the infirm and pet animals.

# INSTALLER GUIDE

## 4.5 Room considerations.

**4.5.1** This appliance must not be installed in any room that contains a bath or shower or where steam is regularly present.

**4.5.2** An extractor fan may only be used in the same room as this appliance, or in any area from which ventilation for the appliance is taken, if it does not affect the safe performance of the appliance. Note the spillage test requirements detailed further on in this manual. If the fan is likely to affect the appliance, the appliance must not be installed unless the fan is permanently disconnected.

**4.5.3** Note that soft wall coverings (e.g. embossed vinyl, etc.) are easily affected by heat. They may scorch or become discoloured when close to a heating appliance. Please bear this in mind when installing.

## 4.6 Chimney preparation.

**4.6.1** If the appliance is intended to be installed to a chimney that was previously used for solid fuel, the flue must be swept clean prior to installation. All flues should be inspected for soundness and freedom from blockages.

**4.6.2** Any chimney damper or restrictor should be removed. If removal is not possible, they must be secured in the open position.

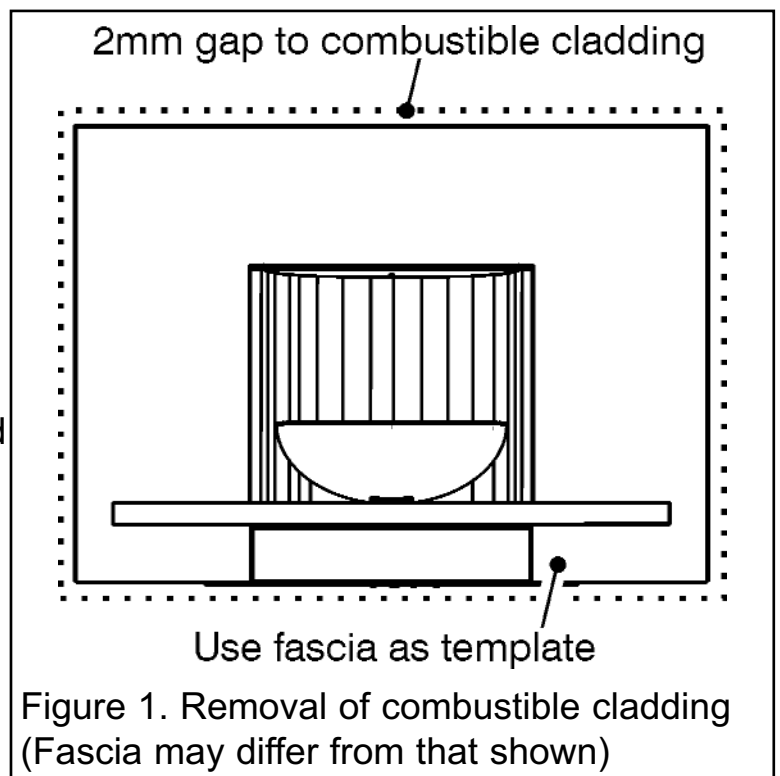
## 4.7 Fireplace preparation.

**4.7.1** If the fireplace opening is an underfloor draught type, it must be sealed to stop any draughts.

**4.7.2** The fireplace floor should be reasonably flat to ensure that a good seal with the hotbox can be made.

**4.7.3** The front face of the fireplace should be reasonably flat over the area covered by the hotbox top and side flange seals to ensure good sealing. These faces should be made good if necessary.

**4.7.4** If the appliance is to be fitted against a wall with combustible cladding, the cladding must be removed from the area covered by the fascia. The cladding must also not touch the fascia (See figure 1). We suggest that the actual fascia is used as a template to mark the area for combustible cladding removal and that this area is increased by at least 2mm all round. If



# INSTALLER GUIDE

the cladding projects forward from the fixing plane of the fire the clearance at the top of the appliance must be increased to a minimum 40mm. This will allow for fascia removal.

**4.7.5** If the fireplace opening is greater than the acceptable dimensions given in this guide, do not use the back of a fire surround or marble to reduce the opening. This may cause cracking of the surround back or marble.

## 4.8 The hearth.

The appliance must be mounted behind a non-combustible hearth unless the conditions of section 4.10.1.1 are met (N.B. conglomerate marble hearths are considered as non-combustible). The appliance can be fitted to a purpose made proprietary class "O"-100°C surround. The hearth material must be at least 12mm thick. The periphery of the hearth (or fender) should be at least 50mm above floor level to discourage the placing of carpets or rugs over it.

The surface of the hearth must be sufficiently flat to enable the bottom of the fascia and the bottom front cover to be aligned horizontally. Any excessive unevenness (uneven tiles, Cotswold stone, etc.) should be rectified.

The appliance must not stand on combustible materials or carpets.

## 4.9 Fireplace clearances (See figure 2).

**4.9.1** The minimum height from the base of the fireplace opening to the underside of any shelf made from wood or other combustible materials is shown below: -

- For a shelf up to 150mm deep  
Minimum height = 700mm.
- For a shelf deeper than 150mm  
Minimum height = 700mm + 12.5mm for every 25mm depth over 150mm.

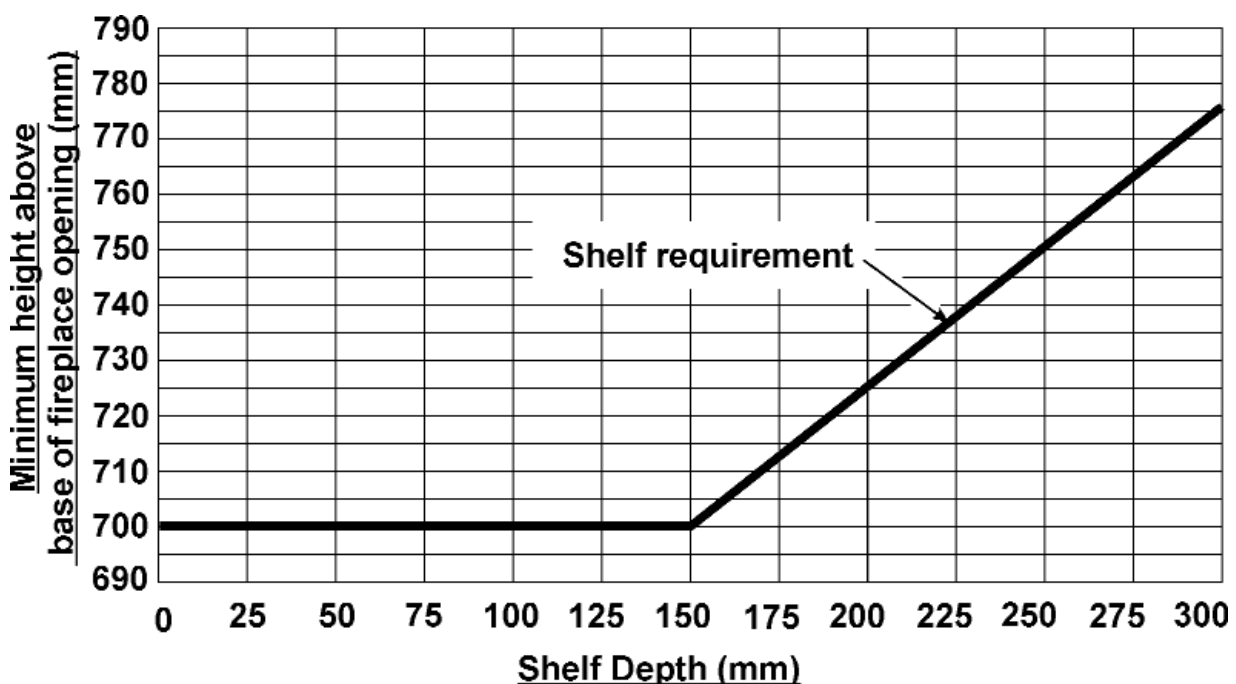
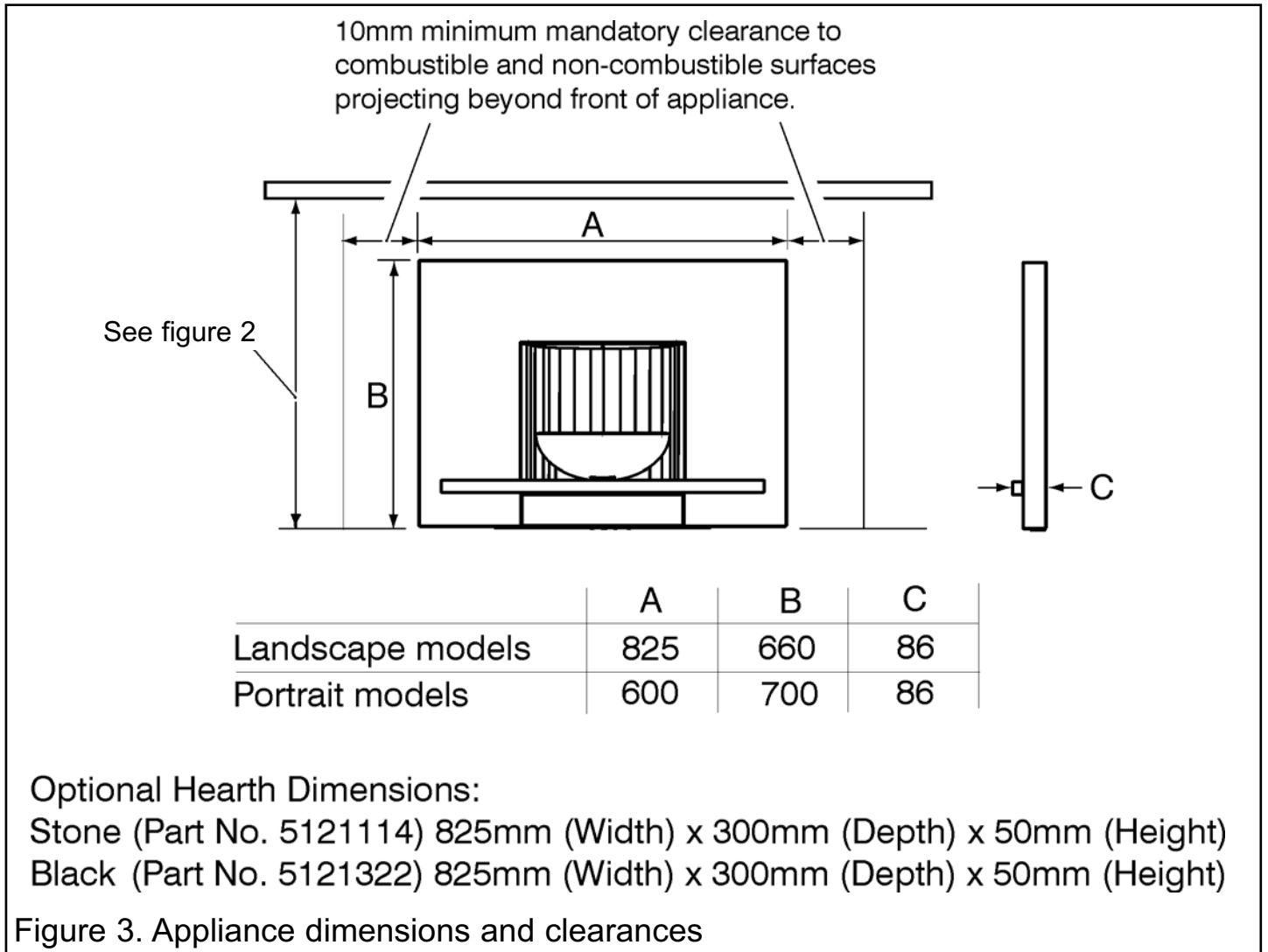


Figure 2. Combustible shelf clearances

# INSTALLER GUIDE

**4.9.2** The minimum allowable distance from the outside of the appliance fascia to a corner wall having combustible material or any other combustible surface which projects beyond the front of the appliance is shown in figure 3.



# INSTALLER GUIDE

## 4.10 Installation options.

In the United Kingdom, as supplied, the appliance can be installed in the following situations:

### 4.10.1 Conventional fireplace and hearth.

To a fireplace complete with surround and hearth as shown in figure 4 and complying with BS1251 after removal of the fireback and sufficient material behind the fireback for a debris catchment space. The required fireplace, hearth, debris catchment area and clearance dimensions are shown in figure 5.

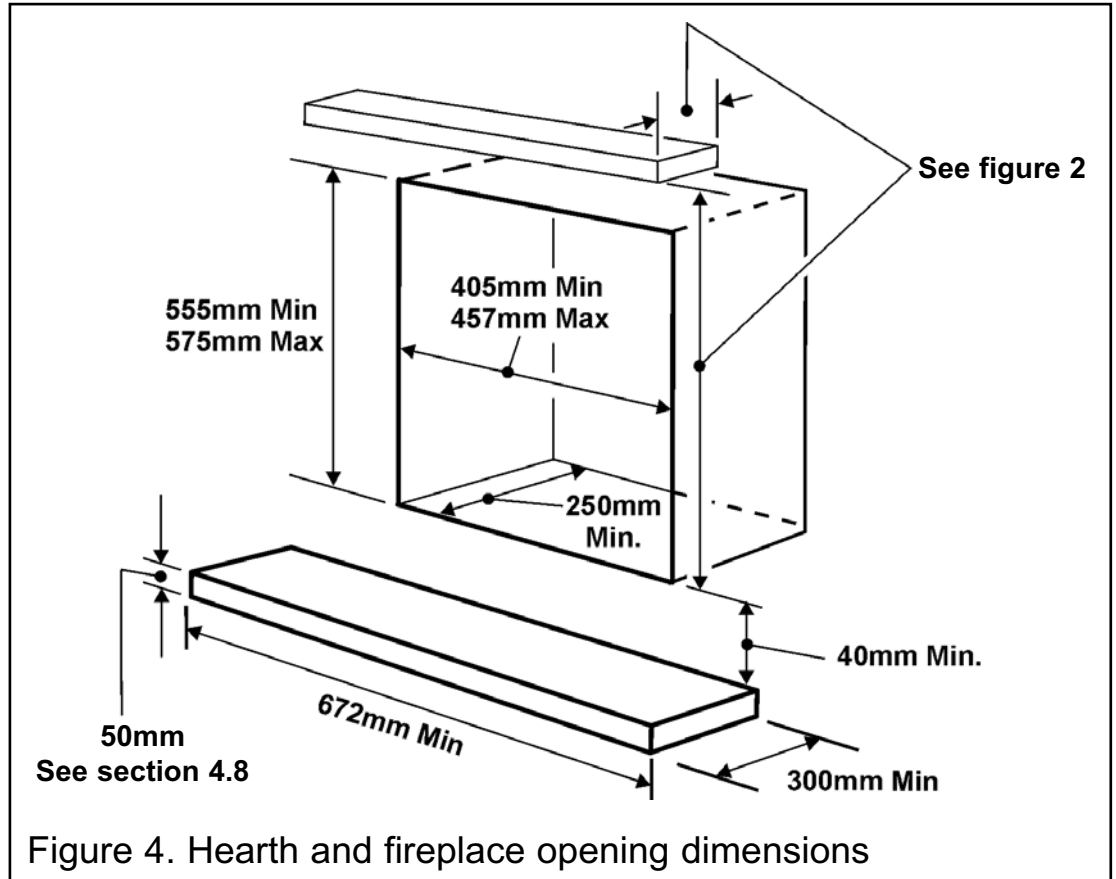


Figure 4. Hearth and fireplace opening dimensions

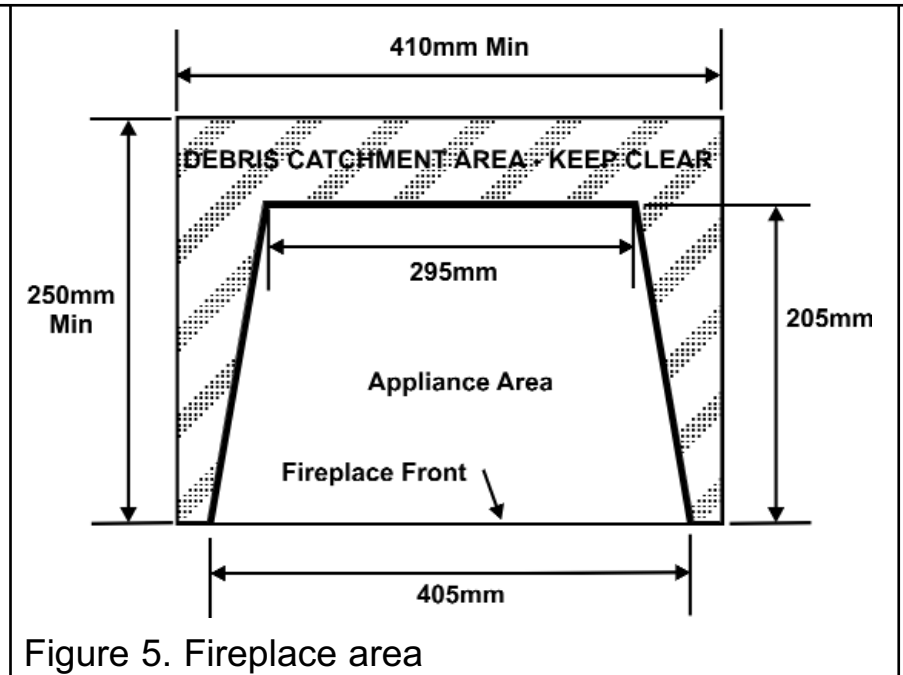


Figure 5. Fireplace area

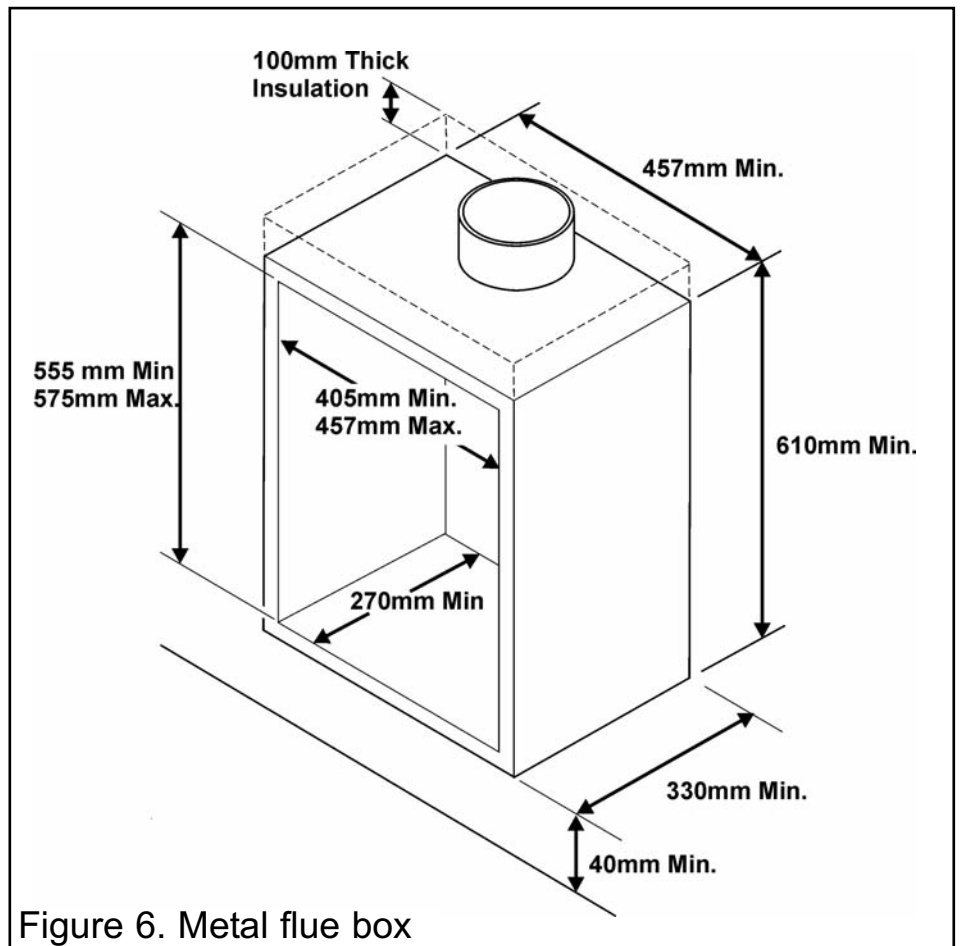
# INSTALLER GUIDE

## 4.10.1.1 'Hole-in-the-wall' installations.

- It is recommended that a hearth should be installed as in figure 4. If a hearth is not fitted, the fire must be installed so that the distance from the base of the fireplace opening in the wall to the finished floor level is at least 25mm. Where there is no floor covering or carpet and the floor is of a type that is likely to be covered in such a way then the distance from the base of the fireplace opening in the wall to the finished floor level should be increased to at least 100mm.
- To protect from the risk of burns and ignition of clothing a tactile separator shall be used. The hearth detailed in section 4.8 meets the requirements for a tactile separator. If this is not used then a 672mm long fender, kerb, horizontal bar, or other barrier, being fixed not less than 50mm above floor level and positioned 300mm in front of the fixing plane of the fire will meet the requirement.

## 4.10.2 Metal flue box and hearth.

The appliance can be installed into a fireplace incorporating a metal flue box complying with the constructional requirements of BS 715 and BS EN 1856 Part 1. The dimensions of the flue box must conform to those shown in figure 6.



# INSTALLER GUIDE

## 4.10.3 Precast concrete or clay flue block system and hearth.

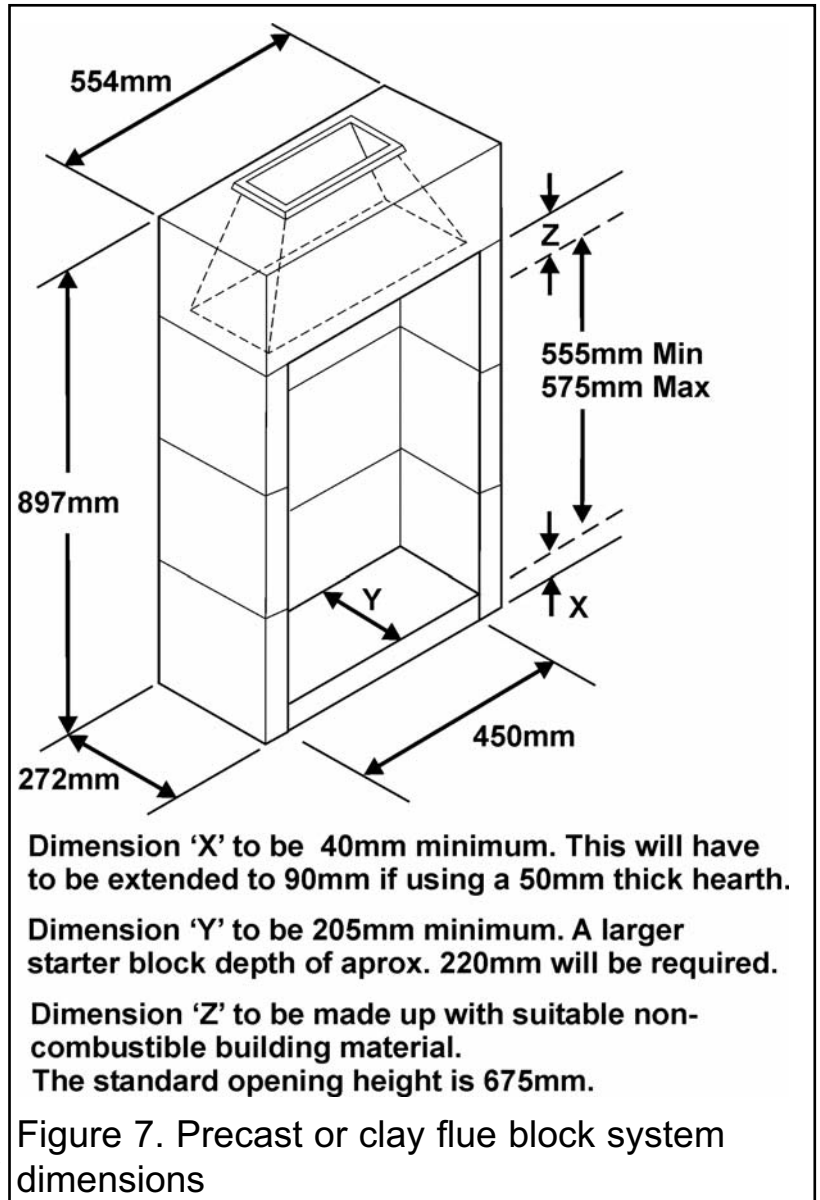
The appliance can be installed into a precast concrete or clay flue block system conforming to BS EN 1806, BS EN 1858 or BS 1289 with dimensions as in figure 7. The current versions of BS1289 and BS EN 1806 (NA 2.4) recommend that there should be an air space or insulation between the flue blocks and the plaster because heat transfer may cause cracking on directly plastered flues. However, generally this appliance is suitable for installations under all circumstances unless there is a history of cracking problems. Remember that faults such as cracking may be caused by poorly built and restrictive flues, e.g. mortar extrusions, too many bends, flue heights below three metres, restrictive terminations etc.

## 4.11 Flues.

1. Suitable flues and minimum flue sizes are as follows: -

*It should be noted that, as with many appliances, sharp bends or horizontal runs in metal flues at the top of the system can be a cause of problems in these types of installation.*

- 225mm x 225mm conventional brick flue.
- 175mm diameter lined brick or stone flue.
- 200mm diameter factory made insulated flue manufactured to the current edition of BS EN 1856 or BS 4543.
- 175mm diameter flue pipe. See BS6461 Part 1 for suitable materials.
- Single wall, twin wall or flexible flue liner with a minimum diameter of 125mm. The materials to be used are stainless steel or aluminium as specified in BS EN 1856 Part 1. The liner must be sealed to the surrounding area above the fireplace opening and to the top of the chimney. An approved terminal must be fitted.
- A properly constructed precast concrete or clay flue system conforming to BS EN 1806, BS EN 1858 or BS1289. This system is only suitable if the conditions stated in section 4.10.3 are met.





# INSTALLER GUIDE

**2.** The flue must conform to BS 5440: Part 1 in design and installation.

The flue, measured from the bottom of the fireplace opening to the bottom of the terminal, shall be not less than 3m in actual vertical height. When calculated in accordance with BS 5440: Part 1 Annex A, the minimum **equivalent** height of the flue shall be 2.0m of 125mm-dia. flue pipe.

**3.** The flue must not be used for any other appliance or application.

**4.** On metal chimneys, proprietary terminals must comply with BS EN 1856 Part 1. Any terminal or termination must be positioned in accordance with BS 5440 Part 1 to ensure that the products of combustion can be safely dispersed into the outside atmosphere. Where the appliance is connected to an unlined brick chimney it is generally unnecessary for the chimney pot to be replaced or for a terminal to be fitted unless the flue has a diameter smaller than 170mm.

# INSTALLER GUIDE

## 5. PACK CONTENTS

### Pack 1

- 1 Burner and hotbox unit.
- 1 Spacing frame (Three separate pieces).
- 6 Edge clips for securing the spacing frame.
- 1 Inlet 'T' connector which includes a nut and olive for 8mm inlet pipe.
- 1 Flue restrictor plate.
- 2 Screws (For flue restrictor).
- 2 Fireback spacing brackets.
- 2 Screws (For fireback spacing brackets).
- 2 Small "U" seals for hotbox side flanges.
- 1 Strip of floor sealing tape.
- 4 Eyebolts.
- 1 Long length of foam seal.
- 1 Short length of foam seal.
- 6 Fibre / wooden plugs.
- 4 Woodscrews.
- 2 Fire retaining cables.
- 2 Cable clamps.
- 1 Rubber grommet.
- 1 Literature pack.
- 1 Smoke match tube.
- 1 Elliptical burner bezel.
- 4 Screws for fascia heat baffle.
- 1 Remote control handset.
- 1 PP3 battery (For handset).
- 4 AA Batteries (For receiver).

### Pack 2 (Fascia)

- 1 Fascia
- 1 Fascia heat baffle
- 4 Hanging brackets
- 8 Screws
- 8 Wall plugs
- 2 Pairs of gloves
- 1 Bottle of touch-up paint (On black fascias two bottles may be supplied - one as a base coat and the other as texture).
- 1 Eraser

Carefully remove all the contents. Check that all the listed parts are present and in good condition. The pack may contain additional components to that stated above. These can be discarded following installation.

# INSTALLER GUIDE

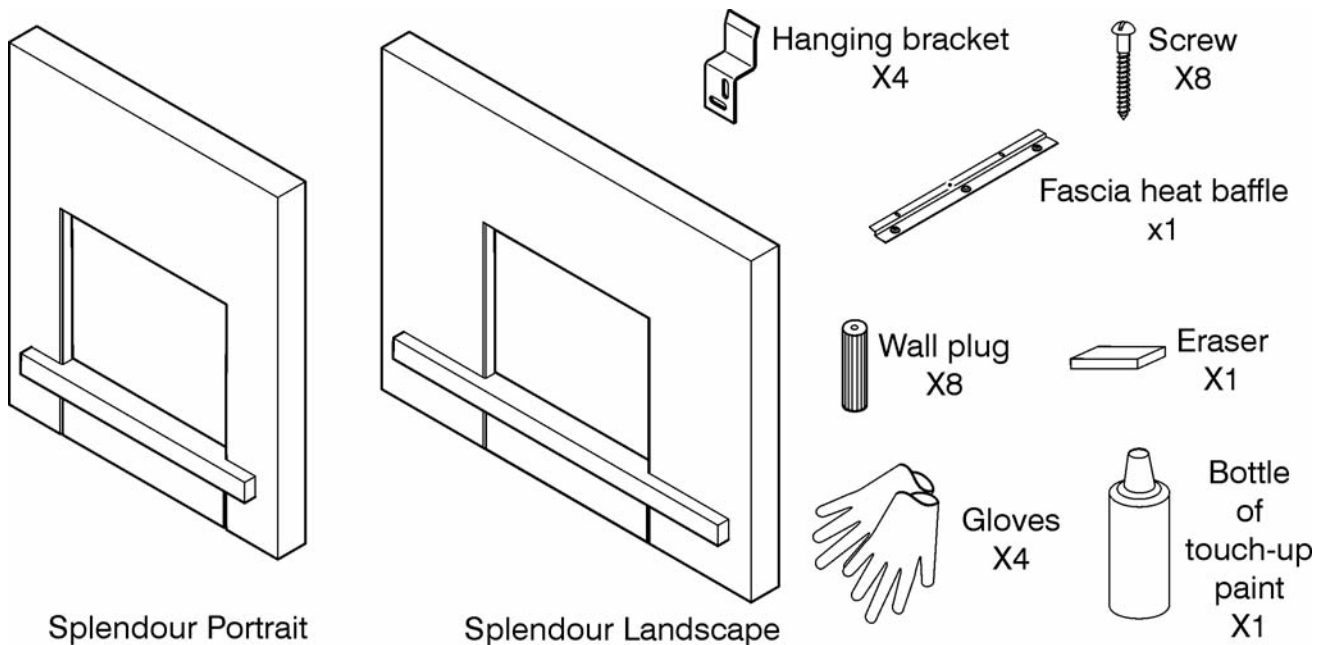
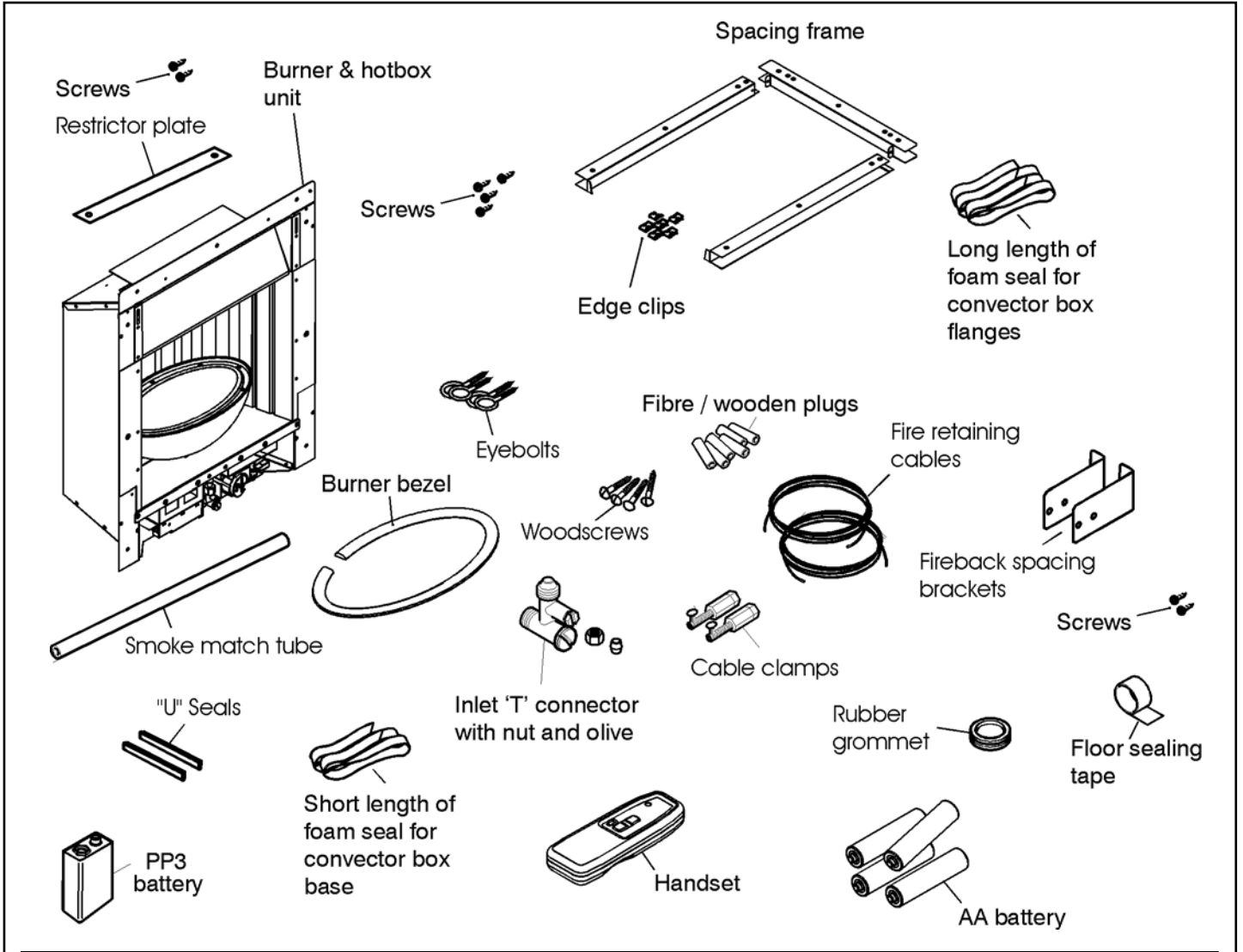


Figure 8. Pack contents

# INSTALLER GUIDE

## 6. FIREPLACE CHECK

### 6.1 Fireplace check.

#### 6.1.1 Fireplace size

The fireplace must comply with the requirements described in section 4.10. This will probably entail removing the fireback and infill material behind the fireback. The debris catchment area shown in figure 5 must be kept clear of obstructions.

#### 6.1.2 Fireplace general condition

The fireplace floor should be reasonably flat to ensure that the hotbox can be installed without it rocking and so that a good seal can be made at the bottom front of the box. The front face of the fireplace should be reasonably flat over the area covered by the spacing frame top and side flange seals to ensure good sealing. These faces should be made good if necessary. If the appliance is to be fitted against a wall with combustible cladding, the cladding must be removed from the area covered by the fascia. The cladding must also not touch the fascia (See figure 1). We suggest that the actual fascia is used as a template to mark the area for combustible cladding removal and that this area is increased by at least 2mm all round. If the cladding projects forward from the fixing plane of the fire the clearance at the top of the appliance must be increased to a minimum 40mm. This will allow for fascia removal.

#### 6.1.3 Soundness for appliance attachment

A primary method of retaining the appliance is provided. This involves using concealed tension cables fixed to the rear of the fireplace opening together with secondary fixing to the fireplace floor. This method is detailed in section 10 of this manual. This method is particularly useful for instances where drilling holes in the front surface of the fireplace surround is unacceptable to the customer or otherwise impractical. *N.B. It is unwise to attempt to drill into marble without the proper tools and equipment.*

Make sure that the areas at the back and towards the centre of the fireplace floor are sound enough to take the eyebolts and screws. If these areas have deteriorated due to prolonged use, they should be made sound with suitable cement.

#### 6.1.4 Installations using a metal flue box

The whole of the top surface of the metal flue box must be covered with a 100mm layer of mineral wool or equivalent insulation (See figure 6).

### 6.2 Fireplace flue pull.

Close all doors and windows in the room in which the appliance is to be installed. After confirming with a match that smoke is drawn into the flue, light a 13 gram smoke pellet and check that there is a definite flow through the flue. Verify outside that the smoke exits from one terminal only and that the termination is suitable. Observe where possible, upstairs rooms and loft spaces for signs of escaping smoke

# INSTALLER GUIDE

indicating a defective flue. If there is not a definite flow warm the flue for a few minutes and repeat the smoke pellet test. If there is still no definite flow the flue may need remedial work – **Do not fit the appliance until there is a definite flow through the flue.**

## 7. IGNITION CHECK

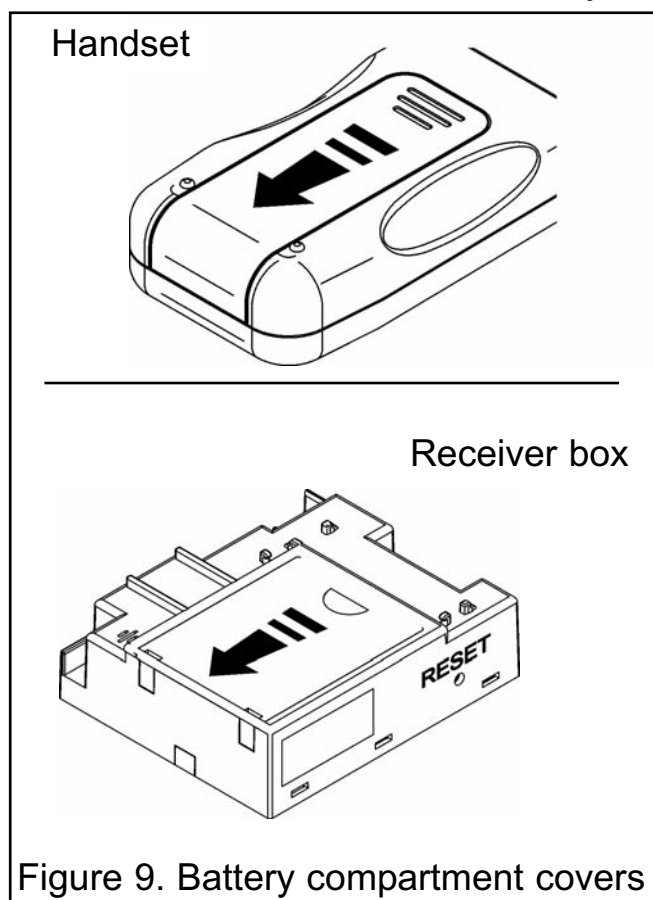
Before attempting to install, it is worth checking that the ignition system performs satisfactorily.

### 7.1 Fitting batteries to the remote control handset.

The remote control handset is battery powered. There is a 9 Volt 'PP3' size battery supplied. Remove the rear battery compartment cover from the remote control handset. To do this, push the tab towards the bottom of the handset and lift (See figure 9). Fit the battery in to the handset. Replace the cover.

### 7.2 Fitting batteries to the receiver box.

The gas valve and receiver are battery powered. There are four 1.5 Volt 'AA' size batteries supplied. Locate the batteries in the receiver box. To do this slide the receiver box forward and clear of its support. Slide the battery compartment cover clear (See figure 9) and fit the batteries. It is important that the +ve and -ve symbols on the battery match those of the illustration inside the battery holder. Replace the cover and receiver box. **It is important that the wires from the receiver box do not touch the underside of the burner tray.**




# INSTALLER GUIDE

## 7.3 Setting the handset and receiver relationship.

The receiver will have to be set to learn the handset / remote code. Do this as below:

Place the 'ON/OFF' switch to the '-' (On position). This is on the front of the gas valve.

Press and hold the reset button on the receiver (See figure 10) until you hear two (2) acoustic signals. After the second, longer acoustic signal, release the reset button.

Within the subsequent 20 seconds press the  (small flame) button on the handset until you hear an additional long signal confirming the code is set (Please inform the customer that this is a one time setting as is NOT required when changing batteries in the handset or receiver).

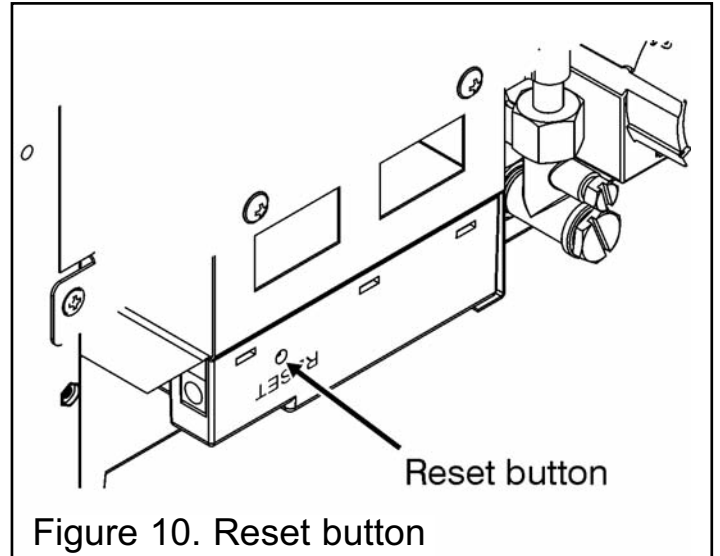



Figure 10. Reset button

## 7.4 Checking the ignition operation.

Simultaneously press and hold the 'OFF' and  (large flame) buttons until a short acoustic signal confirms the start sequence has begun; release buttons.

Continuing signals confirms the ignition is in progress. There will be a slight delay and several sparks should be seen between the electrode and pilot tip (See figure 11).

On sensing a flame is not present the burner unit will shut off. If there are no sparks check the following:

Ensure that the electrode lead is connected to the terminal at the base of the electrode.

If the above is correct, check for damage to the electrode lead.

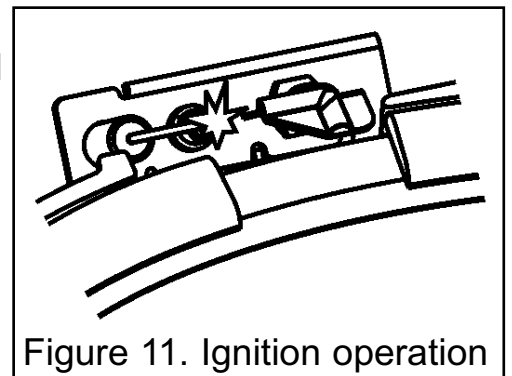


Figure 11. Ignition operation

# INSTALLER GUIDE

## 8. GAS SUPPLY CONNECTION

A nut and olive are provided for an 8mm pipe inlet connection to the 'T' connector at the bottom front of the appliance. The 'T' connector can be rotated to allow a connection from any rear-concealed connection. The 'T' connector includes a valve for isolating the gas supply and a pressure test point.

The supply pipe must be rigid material. Flexible pipe must not be used.

### **Concealed supply pipe connection.**

If a concealed connection from inside the fireplace is required then, **before the appliance is fitted into the fireplace** it will be necessary to extend the supply line so that it will project through the hole in the back of the hotbox and run to the 'T' connector at the front. The pipe run from the supply line up to the rear opening in the hotbox must be kept away from the area which will be taken by the hotbox when it is installed. Note that the centre of the appliance inlet 'T' connector is 25mm above the fireplace floor. The inlet 'T' connector should be fitted to the supply pipe at this stage.

## 9. PREPARING APPLIANCE FOR INSTALLATION

1. The fire is fitted with two transit support screws. These are located on the sides of the hotbox and are labelled. They prevent burner assembly movement during transit. Remove the transit screws and discard.

2. Remove the two screws to the side of the burner assembly (See figure 12).

3. Detach the burner assembly from the hotbox by holding the 'bowl' and gently sliding forward. The burner assembly is heavy and if not supported sufficiently will drop when clear of its support brackets. When sliding the burner assembly be careful not to lift it as this may scratch the top surface.

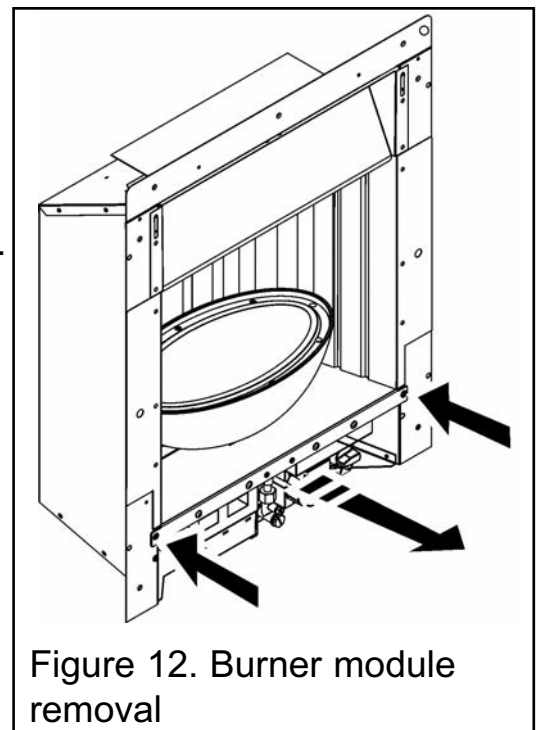


Figure 12. Burner module removal

# INSTALLER GUIDE

4. Fit the two “U” section seals to the bottom edges of the hotbox side flanges (See figure 13).

5. It is important that the grommet supplied in the loose parts pack is fitted to the hole in the rear of the hotbox.

6. For concealed connection only: Pierce the grommet to allow the pipe to pass through it. The grommet should envelop the pipe. If the hole is larger than the pipe, seal it with tape. **Do not pierce the grommet unless the supply pipe is to pass through it.**

7. The appliance is supplied with two fireback spacers. **Do not fit the fireback spacers if the fire is to be installed into a precast or clay flue block system as in section 4.10.3.** These should extend backwards to ensure sufficient clearance from the back of the fireplace. Remove the label and retaining screws from the rear sides of the hotbox. Position the fireback spacer as shown in figure 14. Secure the fireback spacers using the screws removed previously and the two supplied with the fire.

8. This appliance is supplied with a flue restrictor for use where the flue draught is excessive. The restrictor must NOT be fitted where a precast flue or a flue liner is used. For all other installations the restrictor should be fitted. There may however, be certain exceptional circumstances where fitting the restrictor causes the fire to fail the spillage test. In such cases the restrictor will have to be removed. After removal conduct the spillage check again.

The restrictor is packed loose with the appliance and is fixed with two screws (See figure 15).

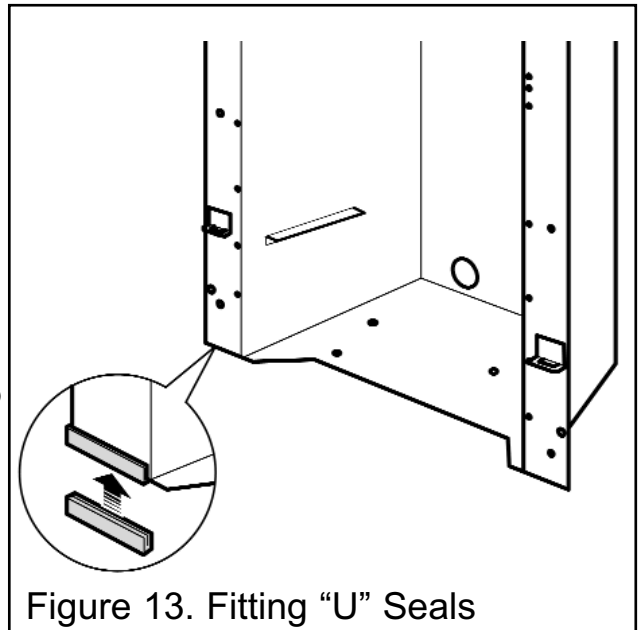


Figure 13. Fitting “U” Seals

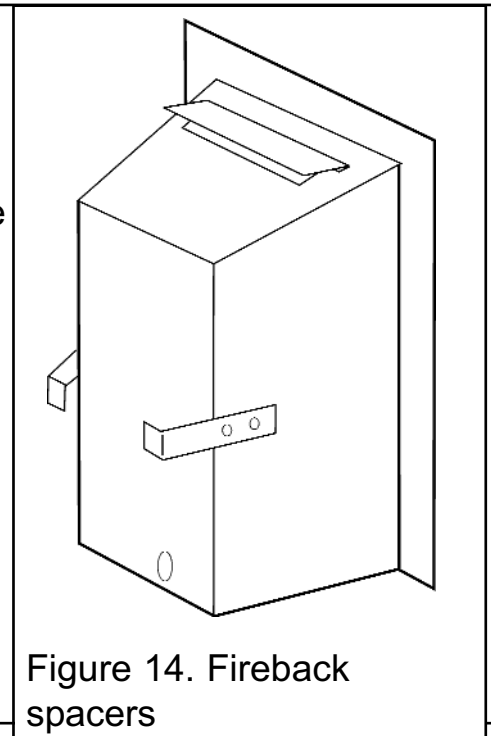


Figure 14. Fireback spacers

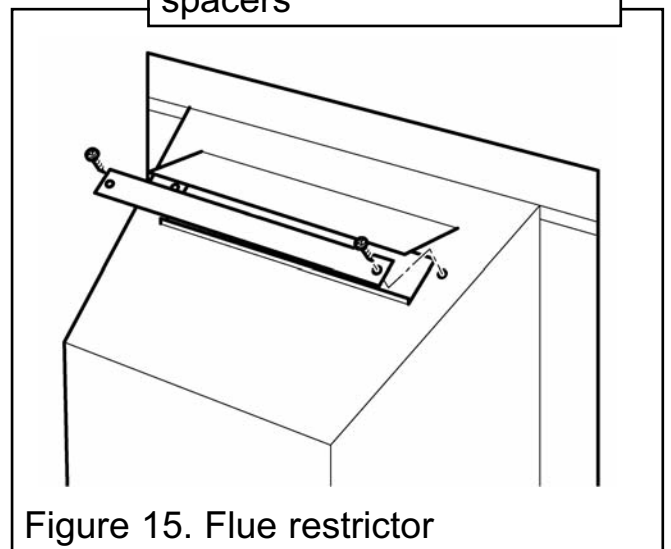


Figure 15. Flue restrictor



# INSTALLER GUIDE

**9.** Supplied with the fire is a short and long length of self adhesive foam seal. Take the short length, peel off the adhesive backing and stick to the underside of the hotbox (See figure 16).

**10.** Supplied with the fire is a spacing frame. This is made up of three separate pieces, a top and two sides. The three pieces are identified in figure 17.

**11.** The sides have a stepped top face. These must be located on the inside the top piece (See point 1 of figure 18). The tabs on the top piece must locate on the inside of the side pieces (See point 2 of figure 18). Secure the two side pieces to the top piece using two self tapping screws supplied. Locate the screws from inside the 'U' channel.

**12.** The long length of self adhesive foam seal needs to be fitted to the outer rear edges of the side and top pieces of the spacer frame. Fit it to the flanges that do not have holes. The holes must be placed against the rear of the fire. Ensure that there is no gap between the foam seals where they meet at the top flange (See figure 19).

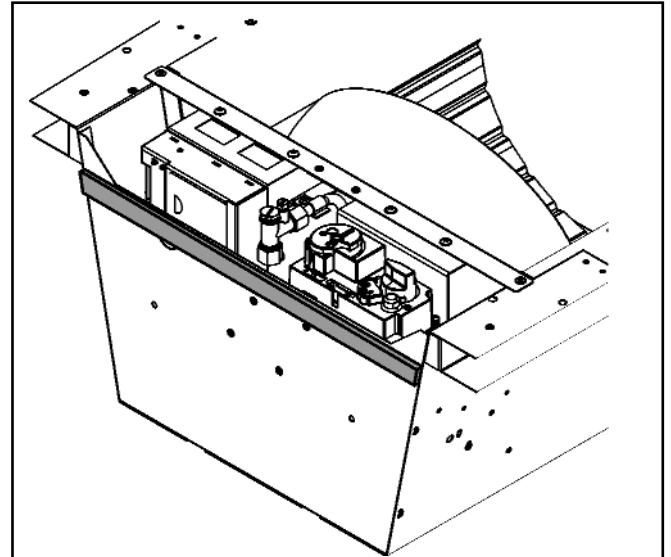


Figure 16. Fitting the foam seal to the base of the hotbox.

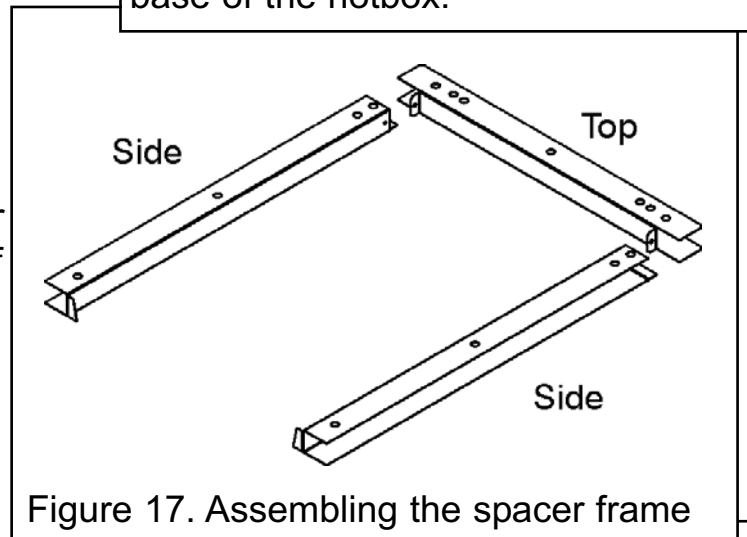


Figure 17. Assembling the spacer frame

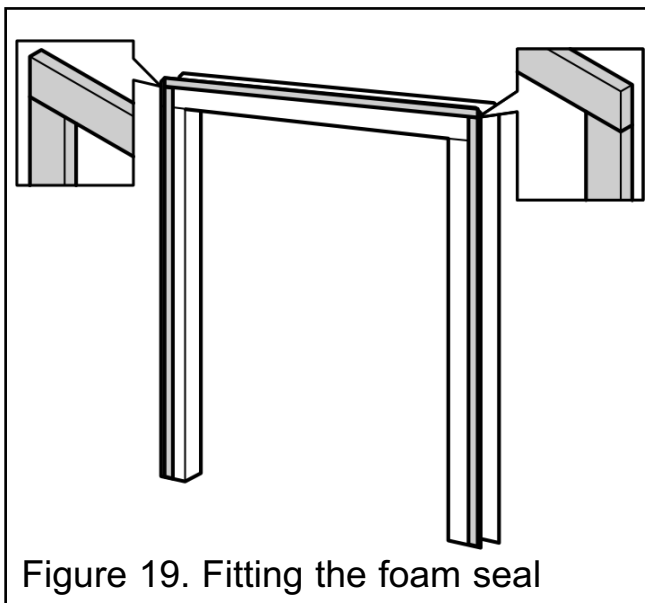


Figure 19. Fitting the foam seal

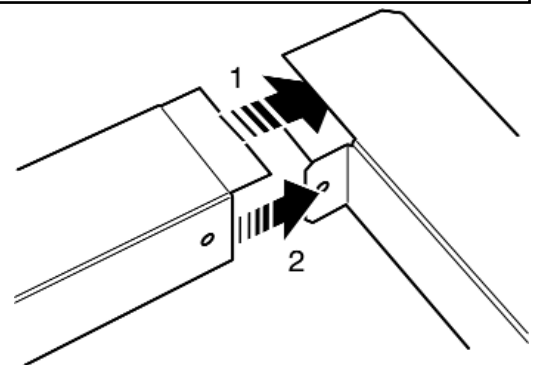


Figure 18. Fitting the foam seal

# INSTALLER GUIDE

**13.** Locate the spacer frame to the rear of the hotbox (The foam seal must be to the rear of the spacer frame and NOT against the flanges of the hotbox). Secure the spacer frame to the hotbox using the six edge clips supplied. Position these as in figure 20.

**14.** Remove any protective film from the spillage plate.

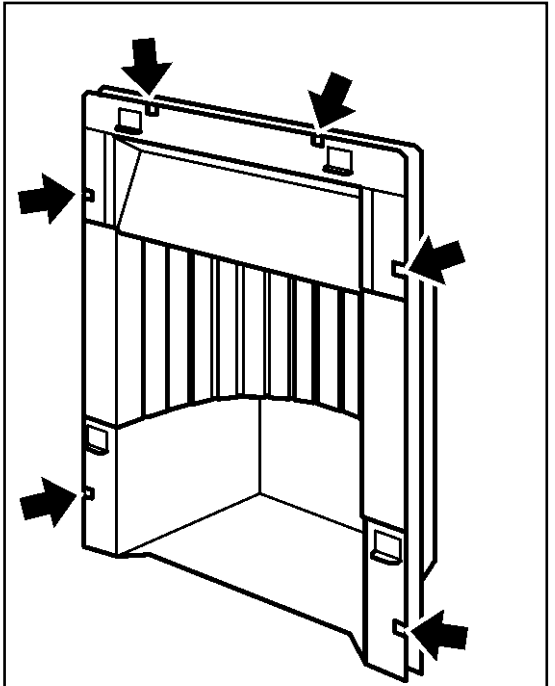


Figure 20. Fitting the edge clips

## 10. HOTBOX INSTALLATION

### 10.1 Cable retention and floor fixing.

**1.** Make sure that the relevant areas at the fireplace back or floor are sound enough to take the eyebolts and screws. If these areas have deteriorated due to prolonged use they should be made sound with suitable cement.

**2.** Drill four holes in the rear wall of the fireplace for the fibre / wooden plugs. The holes should be drilled within the range of positions shown in figure 21 using a suitably sized masonry drill. The holes should be equidistant each side of the centre line of the fireplace to ensure that the appliance finishes centrally in the opening when tension is applied to the cables.

**3.** Insert a fibre / wooden plug into each hole. Use the fibre / wooden plugs supplied with this appliance - **Never use plastic plugs instead of**

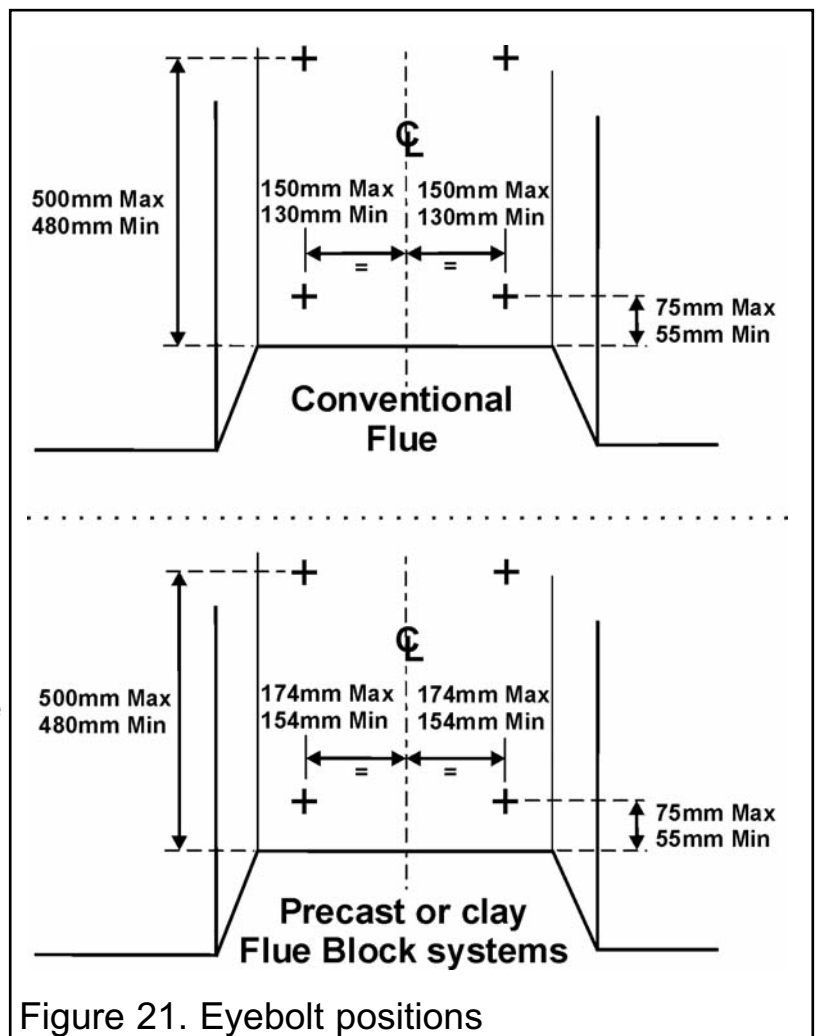


Figure 21. Eyebolt positions

# INSTALLER GUIDE

**the fibre / wooden plugs supplied.** Screw the eyebolts into the plugs. Make sure that the bolts are secure.

4. Place the hotbox unit close to the fireplace but allow sufficient access into the fireplace opening so that the cables can be threaded through the eyebolts and returned through the back of the hotbox. If a concealed connection is being used, insert the hotbox into the fireplace feeding the supply pipe through the pierced hole in the rear grommet.

5. The hotbox has two holes at each side of the spillage plate. Insert one end of each cable (one cable each side) from the back through the lower of the two holes and return the end through the upper of the holes (See figure 22). Give the cables a pull so that they grip against the hotbox flanges.

6. Thread the cables through the eyebolts. Return the cables through the holes near the bottom of the hotbox back panel (See figure 23) (**For precast or clay block flue systems return the cables through the slotted holes in the side of the hotbox**).

7. Carefully lift the hotbox fully back into the fireplace opening so that it is sealed against the fireplace front surround. **Do not push the hotbox along its base as this may damage the foam seal.**

8. **Ensure that the hotbox is correctly positioned in the fireplace opening (central).** Drill a hole into the fireplace floor through each of the two holes in the base of the hotbox using a suitably sized masonry drill bit for the fibre / wooden plugs supplied (See figure 24).

9. Insert a fibre / wooden plug into each hole. Use the fibre / wooden plugs supplied with this appliance - **Never use plastic plugs instead of the fibre / wooden plugs supplied.** Fit a woodscrew in each plug and tighten.

***Always screw the base into position before applying tension to the cables. This will ensure a tight seal between the top of the hotbox and wall.***

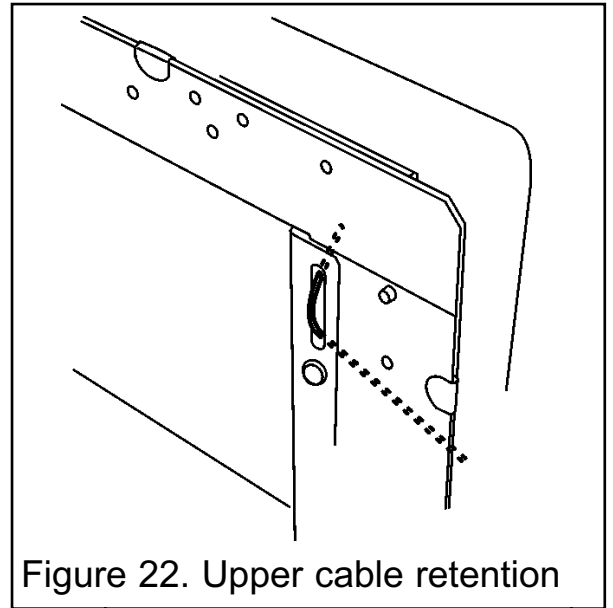


Figure 22. Upper cable retention

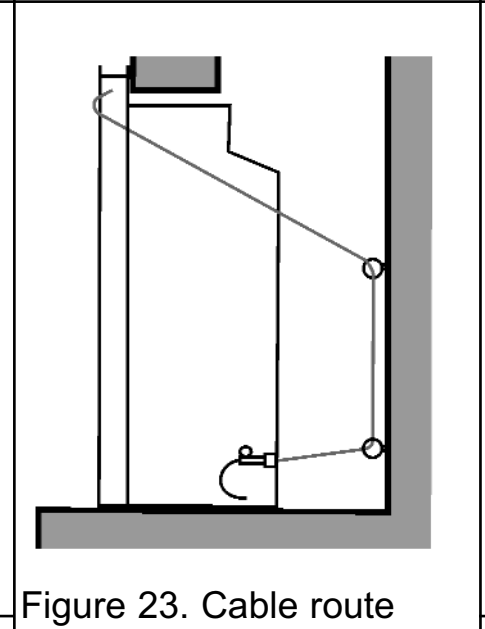


Figure 23. Cable route

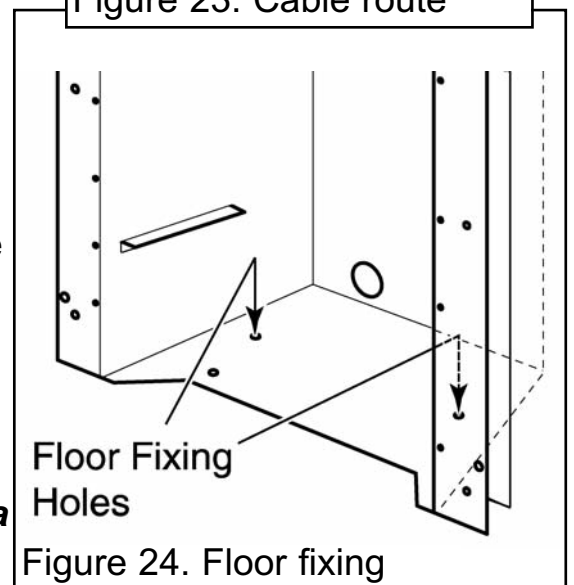


Figure 24. Floor fixing

# INSTALLER GUIDE

**10.** Fit a cable retainer over the bottom end of each cable.

**11.** Pull each cable taut. Push the cable retainers hard up against the back panel. The end of the cable adjuster will pass into the hole. Tighten the screws in the retainers so that they clamp the cables in position. Apply tension to the cables by turning the hexagonal adjusters by hand (See figure 25).

**12.** Inspect the installation of the hotbox against the fireplace surround. If the hotbox is aligned squarely and the sealing is satisfactory, fully tighten the cable retainers.

**13.** If the hotbox is not correctly aligned, release the tension on the cables by slackening the screws and turning the hexagonal adjusters fully anticlockwise. The hotbox should then automatically realign itself. Pull each cable taut again and push the cable retainers back against the back panel. Again, tighten the screws in the retainers and apply tension to the cables by turning the hexagonal adjusters clockwise as far as possible.

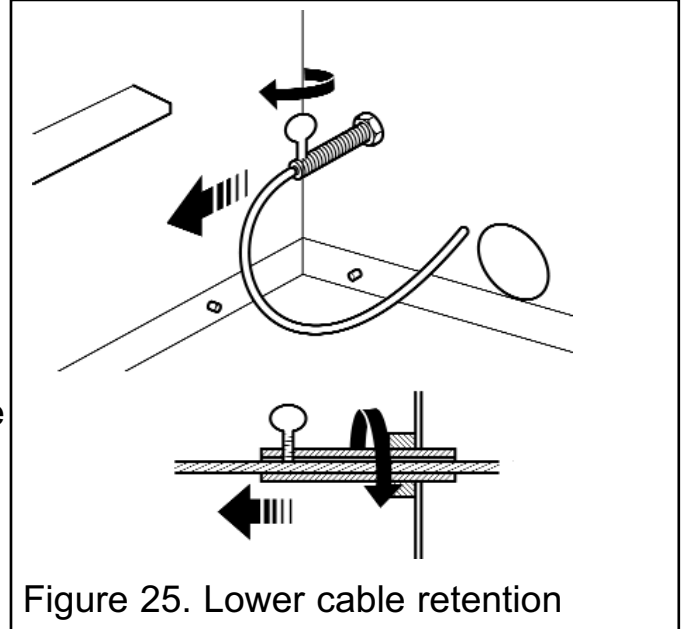


Figure 25. Lower cable retention

**14.** Feed the free length of the cables into the gap between the inner and outer back panels so that they are available to allow easy removal and refitting of the appliance during subsequent service calls. **Do not cut off the free lengths of cable.** On precast flue installations feed the cables into the small holes at the base of the side panels.

## 10.2 Sealing Hotbox to fireplace opening.

The foam seal on the base should be sufficient to seal the hotbox to the floor. If the base of the fireplace opening is uneven then a length of sealing tape is supplied with the fire. Using this, seal the bottom of the hotbox to the fireplace (See figure 26).

**Make sure that the whole length of the front edge of the hotbox is fully sealed.**

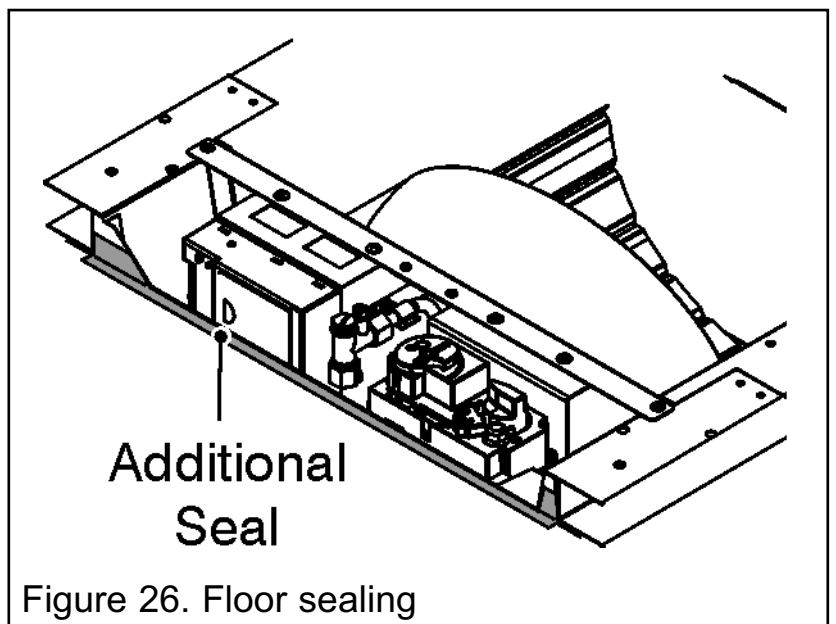


Figure 26. Floor sealing

# INSTALLER GUIDE

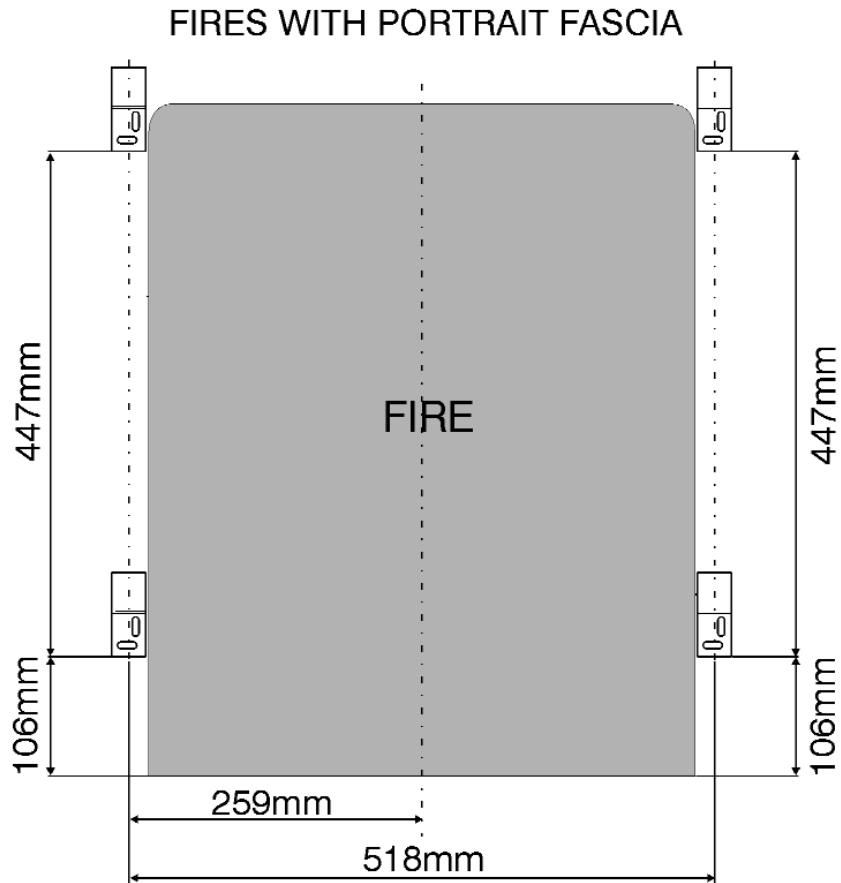
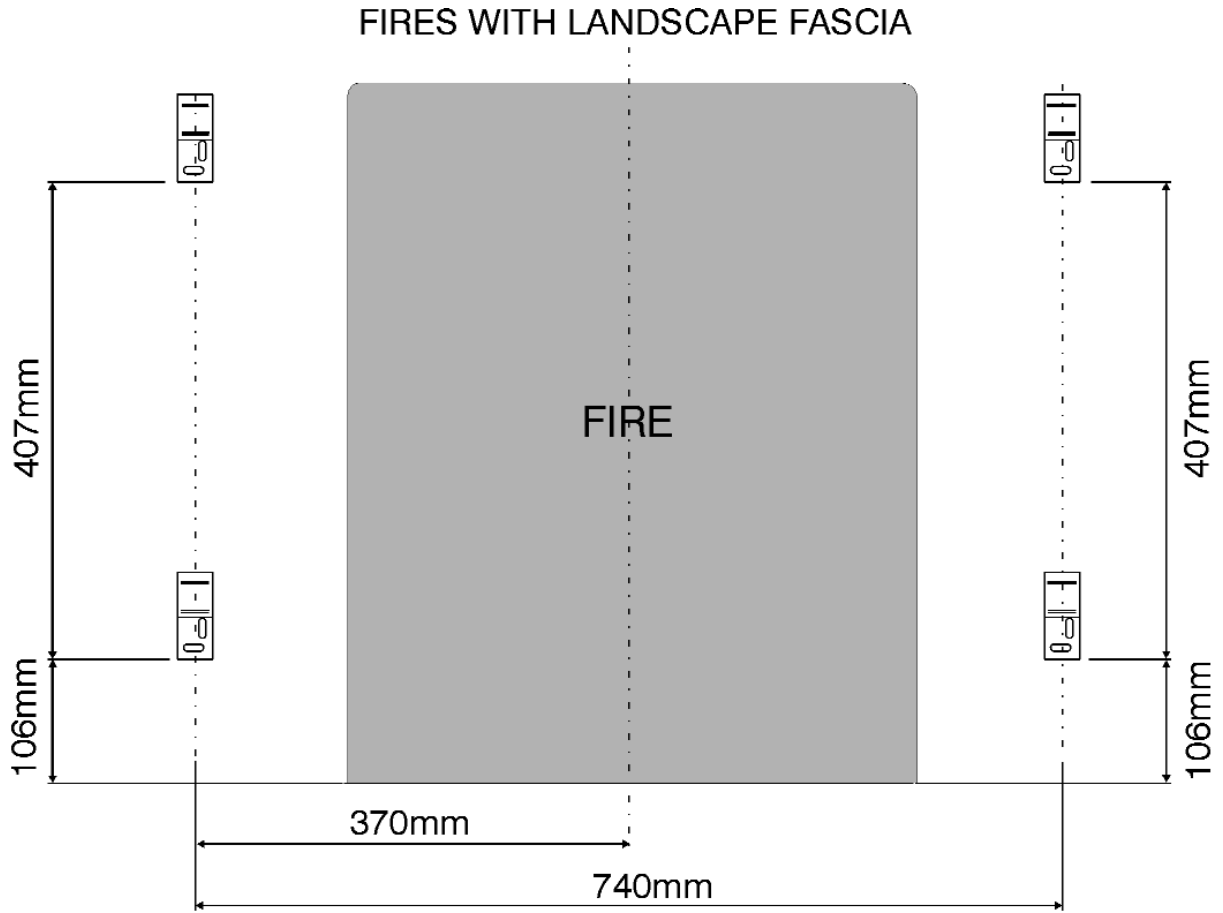


Figure 27. Hanging bracket locations.

# INSTALLER GUIDE

## 10.3 Fitting the wall brackets.

There are four wall brackets supplied with the fascia pack. The fascia is heavy and it is therefore important that the brackets are fitted correctly. The hanging bracket positions are shown in figure 27 (previous page). Please note that the vertical distances are to the centreline of the brackets and not bracket holes.

1. Mark the bracket positions on the wall.
2. Hold the brackets in place and mark the screw positions on the wall.
3. Using a suitable sized masonry drill bit for the wall plugs supplied, drill the marked positions and insert a wall plug in to each hole.
4. Secure the brackets to the wall using the screws supplied.

## 11. BURNER & SUPPLY PIPE INSTALLATION

### 11.1 Fitting the burner.

1. Place the burner assembly into the hotbox and secure using the two screws removed previously.
2. Supplied with the fire is an elliptical burner bezel. Place this within the edge of the burner so that it covers the screws that secure the burner top surface. The gap in the ellipse should be positioned so that the pilot flame passes through it.

### 11.2 Supply pipe installation.

A nut and olive is provided for an 8mm-pipe inlet connection directly to the gas control. The isolating 'T' connector can be rotated to allow a connection from the rear. The 'T' connector includes a valve for isolating the gas supply.

The supply pipe must be rigid material. Flexible pipe must not be used. Connect the supply line to the appliance.


Turn on the gas supply and pressure check the installation pipework for gas soundness. In the United Kingdom (GB) check in accordance with the current edition of BS 6891. In the Republic of Ireland check in accordance with the current edition of IS 813 "Domestic Gas Installations".

### 11.3 Burner checks.

#### 11.3.1 Lighting the fire.

If closed, open the isolating 'T' connector valve.





Turn the 'manual' knob to the ON, full counterclockwise  position.

Simultaneously press and hold the 'OFF' and  (large flame) buttons until a short acoustic signal confirms the start sequence has begun; release buttons. Continuing signals confirms the ignition is in progress. There will be a slight delay and several sparks should be seen between the electrode and pilot tip. Once pilot ignition is confirmed there is main gas flow.



## ▲ WARNING

When pilot ignition is confirmed, the motor turns automatically to maximum flame height.

### 11.3.2 Adjusting flame height.

When the burner is operating press the  (large flame) button to increase the flame height and press the  (small flame) to decrease the flame height. For fine adjustment press the  /  button for approximately two seconds until an acoustic signal is given, then release the button.

### 11.3.3 Adjusting to pilot only setting.

When the burner is operating press and hold the  (small flame) until the burner flame extinguishes. To turn the main burner on again simply press and hold the  (large flame) button.

### 11.3.4 Turning off.

To turn the fire off press the 'OFF' button.

## 11.4 Check inlet pressure.

The appliance is pre-set to give the correct heat input at the inlet pressure shown in section 3 of this guide. No adjustment is necessary.

1. Check the inlet pressure by fitting a pressure gauge at the test point. The test point is on the inlet 'T' connector (See figure 28). Check the pressure with the appliance alight and set at maximum output.

2. After checking, turn off the appliance. Remove the pressure gauge and replace the test point sealing screw. Test around the sealing screw for gas soundness with a suitable leak detection fluid.

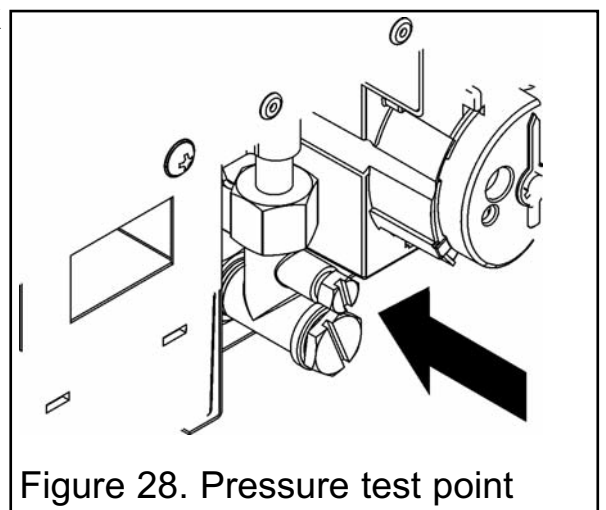


Figure 28. Pressure test point

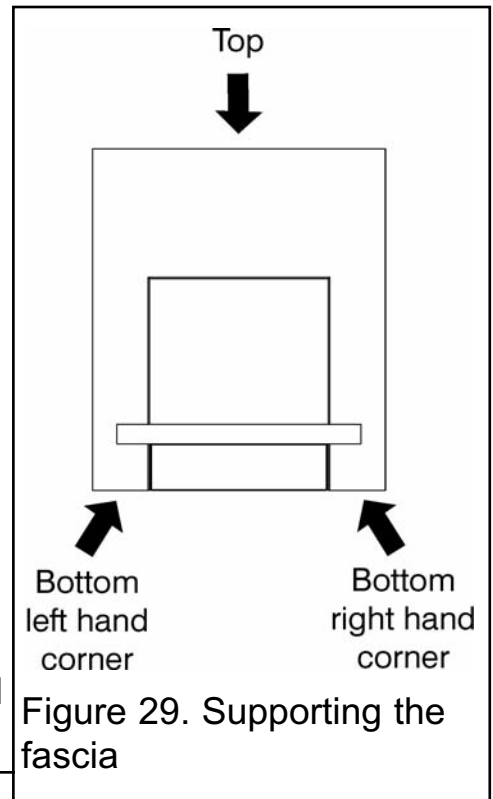
## 12. FASCIA INSTALLATION

**BEFORE FITTING THE FASCIA, COMPLETE THE INFORMATION IN THE WARRANTY AND SERVICE SECTION OF THE OWNER GUIDE (See last pages of the OWNER guide).**

### 12.1 Fitting the fascia.

1. There are two pairs of gloves supplied with the fascia pack. They are to be worn to prevent marking the surface of the fascia.

Unpack the fascia. Carefully lift the fascia. We recommend that the fascia is held at the points shown in figure 29. **Do not hold the plinth or place hands inside the fascia opening.** Place the fascia against the fireplace front surface so that the location points at the back of the fascia are directly above the four wall brackets of the hotbox. Lower the fascia unit making sure that the wall brackets locate fully into the location points on the fascia.



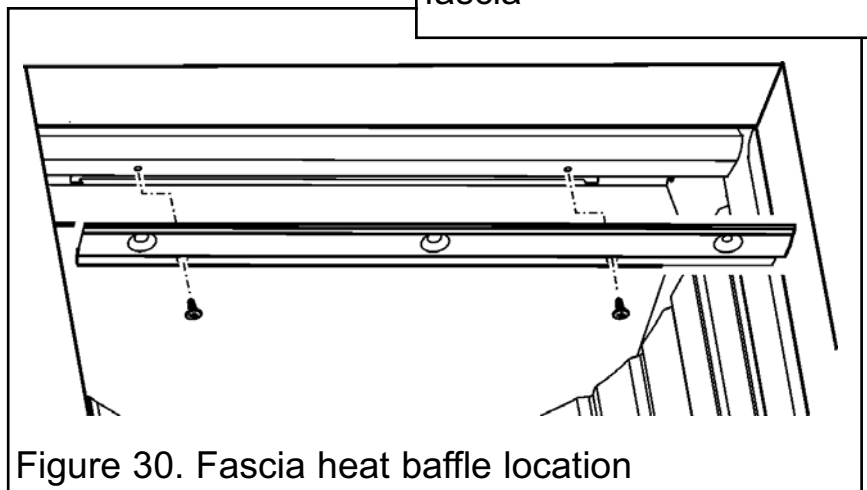
### 12.2 Fitting the heat baffle.

Supplied with the fascia is a heat baffle. This baffle must be fitted to the underside of the spillage hood.

1. Fit the fascia as in section 12.1 above.
2. Secure the baffle to the underside of the spillage hood using the two screws supplied (See figure 30).

### 12.3 Removing marks.

Supplied with the fire is an eraser. This can be used to remove marks on the fascia that have occurred during installation. The bottle(s) of touch-up is/are not intended to be used during installation, hand it/them to the customer.





## 13. FULL OPERATING CHECKS

### 13.1 Check the burner operation.

Repeat the checks conducted in section 11.3.1 and 11.3.2.

*Please note:*

*When first turned on from cold, the flames will appear predominantly blue.*

*When operating the fire for the first time, some vapours may be given off which could set off smoke alarms in the vicinity. These vapours are quite normal with new appliances. They are totally harmless and will disappear after a few hours use.*

### 13.2 Check for spillage.

**A spillage check must be made before leaving the installed appliance with the customer.**

1. Close all doors and windows in the room containing the appliance.
2. Light the appliance and set the control to its highest heat position.
3. Leave the appliance on for five minutes.
4. The smoke match should be placed horizontally into the hotbox at the right hand side (See figure 31).

The installation is satisfactory if the smoke is drawn into the appliance.

If the smoke is not drawn into the appliance leave the appliance alight at the maximum setting for a further ten minutes and then repeat the test. If the smoke is

still not drawn into the appliance inspect the

sealing to the fireplace surround. If the sealing is satisfactory but the appliance is installed with the

flue restrictor (See section 9 point 8) remove the restrictor, reseal the appliance and retest. If

smoke is still not drawn into the appliance

**disconnect the appliance and seek expert advice.**

5. If the above test is satisfactory open all internal connecting doors, hatches, etc. in the room. Keep all doors and windows that open to the outside of the building closed. Recheck for spillage as above. If an extractor fan is installed in the same

room as the appliance or a connecting room, check that spillage does not occur with the fan

operating and all doors and other openings between the fan and the appliance open.

If the smoke is drawn into the appliance, continue with the installation. If the test is not satisfactory

**disconnect the appliance and advise the**

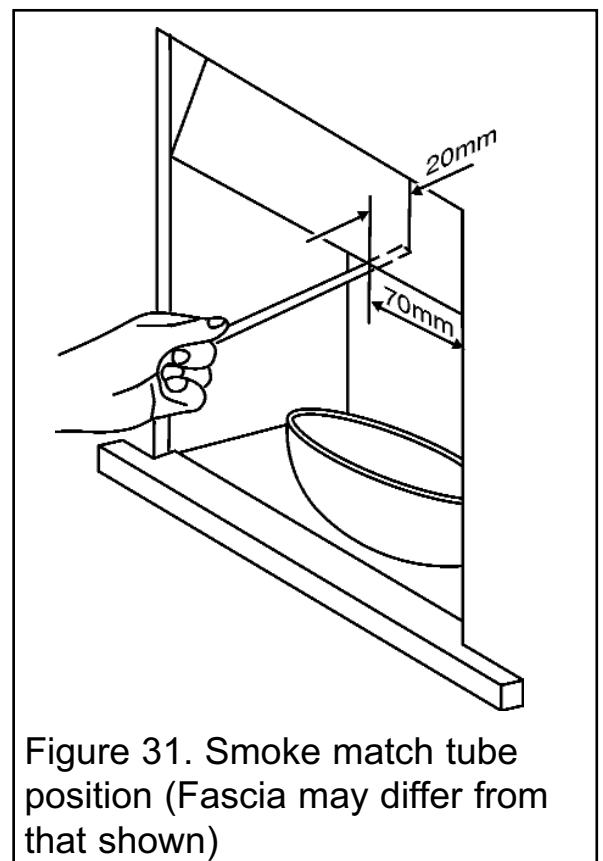


Figure 31. Smoke match tube position (Fascia may differ from that shown)

# INSTALLER GUIDE

customer of the cause of failure.

## 13.3 Flame supervision and spillage monitoring system.

This pilot unit includes a system that will automatically shut off the gas supply if the pilot flame goes out or if there is insufficient oxygen due to spillage or poor ventilation.

**This monitoring system must not be adjusted, bypassed or put out of operation.**

**This monitoring system or any of its parts must only be exchanged using Valor Fires authorised parts.**

## 14. FINAL REVIEW

**1. COMPLETE THE INFORMATION IN THE WARRANTY AND SERVICE SECTION OF THE OWNER GUIDE (See last pages of the OWNER guide).**

2. Visually inspect the appliance. Clean off any marks incurred during installation. The fire should be 'off' and allowed to cool completely before cleaning.

### **Metal and painted parts.**

- Clean the metal parts with a slightly damp lint free non-abrasive cloth and then dry.
- Do not use abrasive cleaners as these will scratch the fire surface.

3. Advise the customer how to operate the appliance. Point out that lighting instruction details are contained in the owner guide. Explain to the customer that the appliance has a flame failure & spillage monitoring system. Point out the explanation of this system shown in the owner guide under "Operating the fire". Advise that if the fire goes out for any reason; wait at least three minutes before relighting. Stress that if the monitoring system repeatedly shuts off the fire, the appliance should be switched off and a specialist should be consulted.

4. Advise the customer that they should read their owner guide before operating the fire and always follow the advice in the section headed "Cleaning your fire".

**5. Stress that no ceramic fuel effect pieces must be added to the appliance.**

**Warn that ignoring this advice could cause incomplete clearance of the products of combustion with consequent health hazards.**

6. Advise the customer that the appliance will operate to its maximum potential if the flue is primed during the first 20 – 30 minutes of use. To do this, simply turn the control to its 'HIGH' setting.

7. Recommend that the appliance should be serviced by a competent person at least annually.

8. If the appliance is in premises in the United Kingdom occupied by a tenant, point out that by law a landlord must have any gas appliance, flue and pipework which is situated in a tenant's premises checked for safety at least every 12 months.

9. Advise that the fire may give off a slight odour while new. This is quite normal and it will disappear after a short period of use.

# INSTALLER GUIDE

**10. Inform the customer that the Serial number for the appliance is located on the information label located behind the lower cover and attached underneath the burner assembly.** The information label is located as in figure 7 of the owner guide.

**11.** Hand the literature pack with this guide to the customer.

## 15. SERVICING & PARTS REPLACEMENT

It is recommended that, at least once a year, the appliance is disconnected and the fireplace opening checked and cleared of any debris.

This product uses a burner gasket and burner surface containing Refractory Ceramic Fibres (RCF), which are man-made vitreous silicate fibres. Excessive exposure to these materials may cause irritation to eyes, skin and respiratory tract. Consequently, it is important not to touch or disturb the burner surface to ensure that the release of dust is kept to a minimum. To ensure that the release of fibres from these RCF articles is kept to a minimum, during installation and servicing we recommend that you use a HEPA filtered vacuum to remove any dust and soot accumulated in and around the fire before and after working on the fire. Do NOT vacuum the burner surface. When replacing the burner surface we recommend that the replaced items are not broken up, but are sealed within a heavy duty polythene bag, clearly labelled as RCF waste. RCF waste is classed as a stable, non-reactive hazardous waste and may be disposed at a landfill licenced to accept such waste. Protective clothing is not required when handling these articles, but we recommend the use of suitable gloves to prevent irritation. We also recommend you follow the normal hygiene rules of not smoking, eating or drinking in the work area and always wash your hands before eating or drinking. This appliance does not contain any component manufactured from asbestos or asbestos related products.

- Check that the appliance is clean and that soot or debris is not causing an imperfect flame.
- Check that soot or debris is not impairing the electrode spark or pilot burner.
- **Always test for gas soundness and spillage after servicing the appliance.**

# INSTALLER GUIDE

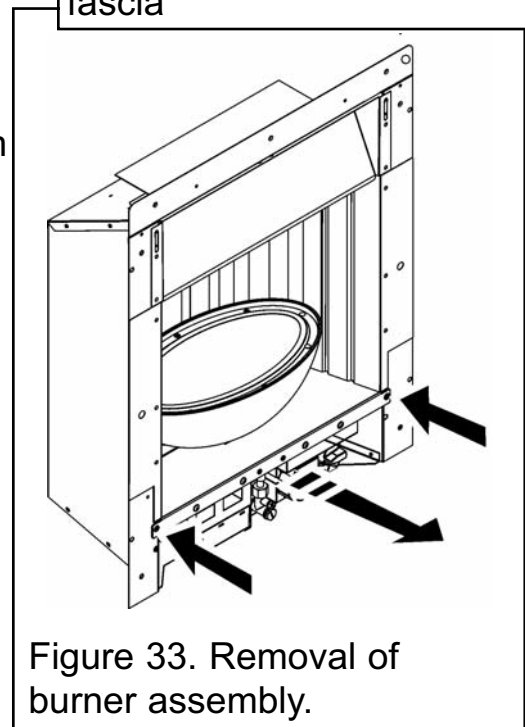
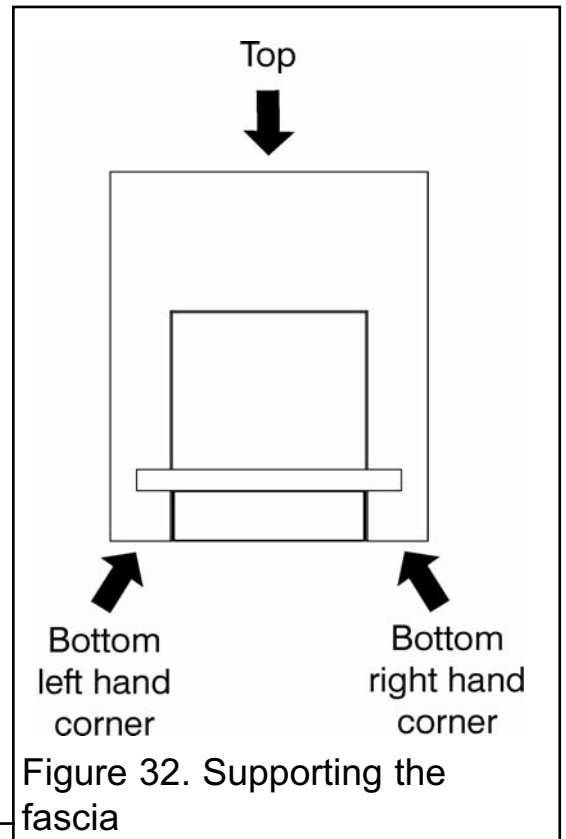
## 15.1 To remove the fascia.

We recommend clean gloves are worn when handling the fascia to prevent marking.

1. There is a heat baffle that is screwed to the spillage plate (See section 12.2 and figure 30). Unscrew and remove this heat baffle.
2. The fascia is held in place by four wall mounted brackets at the back of the fascia. These slot into four location points on the fascia. We recommend that the fascia is held at the points shown in figure 32. **Do not hold the plinth, or place hands inside the fascia opening.** To remove the fascia, lift upward and forward. The fascia should lift clear of the wall mounting brackets.
3. Replace in the reverse order.

## 15.2 To remove the burner unit.

1. Remove the fascia as in section 15.1
2. Isolate the gas supply at the inlet isolating 'T' connector.
3. Support the inlet 'T' connector to avoid straining the pipework and disconnect the appliance from the inlet 'T' connector.
4. Lift and remove the elliptical burner cover from the burner surface.
5. Remove the two screws to the side of the burner assembly (See figure 33)
6. Detach the burner assembly from the hotbox by holding the 'bowl' and gently sliding forward. The burner assembly is heavy and if not supported sufficiently will drop when clear of its support brackets. When sliding the burner assembly be careful not to lift it as this may scratch the top surface.
7. Replace in the reverse order.



# INSTALLER GUIDE

## 15.3 To remove the spillage plate.

1. Remove the fascia as in section 15.1.
2. Detach the spillage plate from the hotbox by removing the four screws (See figure 34).
3. Replace in the reverse order.

## 15.4 To remove the inner panel.

1. Remove the burner as in section 15.2.
2. Remove the spillage plate as in section 15.3.
3. Remove the six screws from the side of the inner panel (See figure 35).
4. Carefully lift the inner panel and pull forward to remove.
5. Replace in the reverse order.

## 15.5 To remove the pilot unit.

1. Remove the burner assembly (See section 15.2).
2. If turning the burner upside down, ensure that the work surface is suitably protected. This will avoid damage to the work surface. Detach the pilot pipe from the pilot unit.
3. Detach the thermocouple from the gas valve.
4. Detach the electrode lead from the underside of the electrode tab.
6. Remove the two screws securing the pilot unit (See figure 36).
7. Refit in the reverse order.

*Note: The pilot unit is an atmosphere sensing device. It must be replaced as a whole assembly. Its individual components are not separately replaceable.*

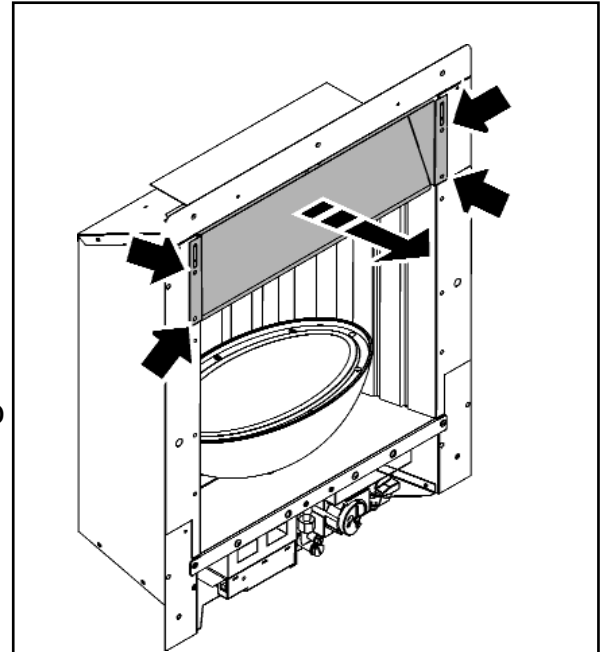


Figure 34. Spillage plate removal

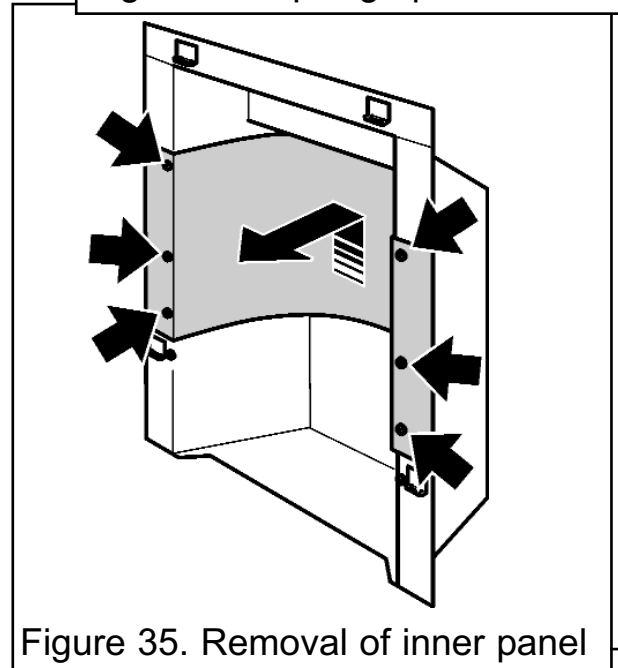


Figure 35. Removal of inner panel

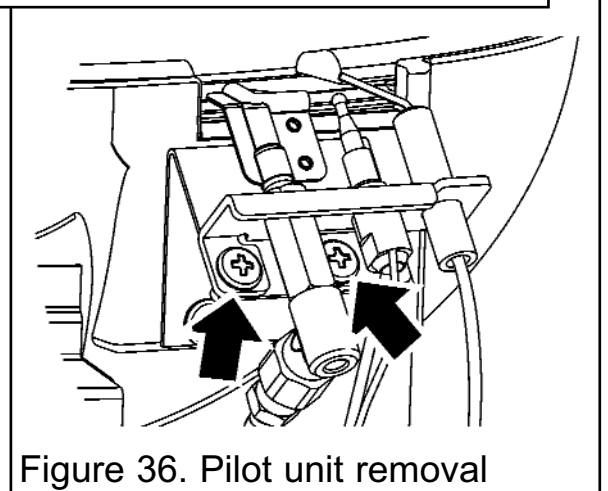


Figure 36. Pilot unit removal

# INSTALLER GUIDE

## 15.6 To remove the gas valve.

(See figure 37).

1. Remove the burner assembly (See section 15.2).
2. If turning the burner upside down, ensure that the work surface is suitably protected. This will avoid damage to the work surface.
3. Remove the thermocouple by unscrewing the thermocouple nut at the interrupter block. Remove the two leads from the interrupter block making sure to pull on the base of the tabs and not the leads.
4. Detach the pilot pipe from the gas valve.
5. Detach the inlet pipe.
6. Detach the burner pipe.
7. Detach the electrode lead from the base of the electrode.
8. Remove the wiring block from the front of the valve. To do this press the retainer tab on the base of the valve (See figure 38) whilst gently pulling on the leads.
9. Remove the two screws that retain the gas valve bracket from the front of the burner tray and lift the bracket and gas valve assembly clear.
10. Remove the two screws securing the gas valve to the mounting bracket.
11. Remove the gas valve.
12. Refit in the reverse order.

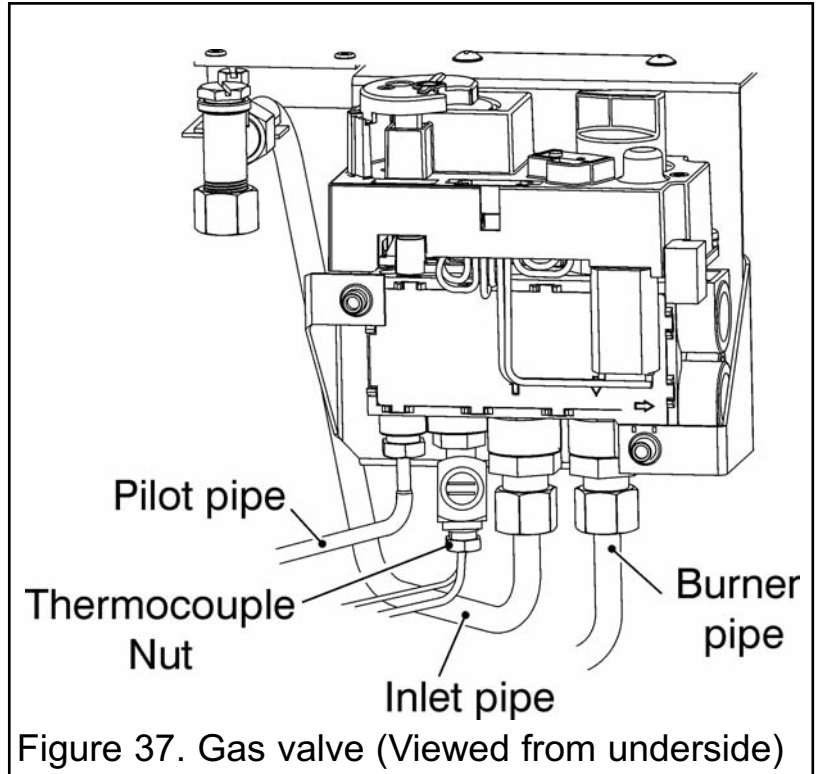


Figure 37. Gas valve (Viewed from underside)

## 15.7 To remove the receiver box.

1. Slide the receiver box out of its support bracket.
2. Remove the electrode 'SPARK' lead.
3. Remove the wiring block from the side of the receiver box.
4. Unscrew and remove the yellow coded switch wire and red coded thermocouple wire.
5. Refit in reverse order. Please note that the yellow and red wire positions are marked with coloured spots on the valve body.

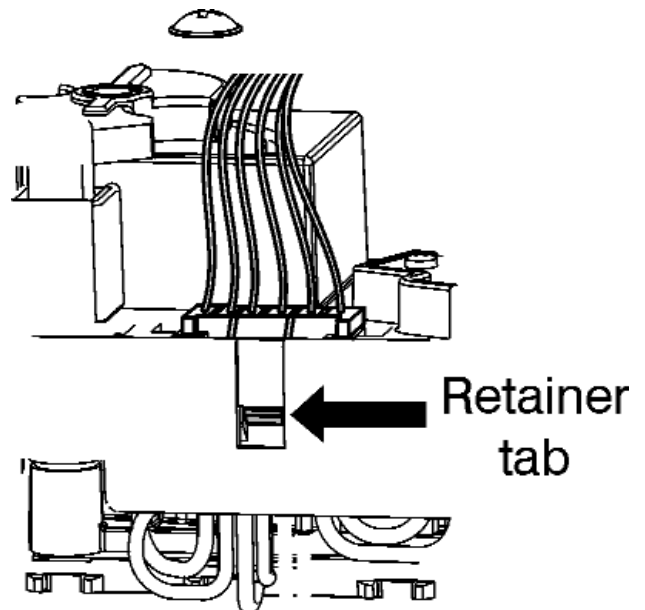


Figure 38. Wiring block removal

# INSTALLER GUIDE

## 15.8 To replace the top surface of the burner.

1. Lift and remove the elliptical burner cover from the burner surface.
2. The top surface of the burner is secured using eight screws. The screws have a non-stick coating and should be easy to remove. However, it is advisable to spray a small amount of releasing oil on to the screws and leave them for a few minutes before attempting to remove. Remove the screws.
3. The top surface of the burner sits on a fibre gasket. Lift the top surface of the burner clear.
4. Remove and replace the fibre gasket.
5. Refit in reverse order.

## 15.9 To replace the burner (bowl).

1. Remove the burner assembly as in section 15.2.
2. Remove the screw that secures the injector bracket to the burner (See figure 39).
3. Remove the two screws that secure the pilot bracket to the burner (See figure 40).
4. If turning the burner upside down, ensure that the work surface is suitably protected. This will avoid damage to the work surface. Place the burner face down and remove the two burner securing screws from the underside of the burner tray.
5. Gently lift the burner tray upward. Be careful not to damage the pilot hood.
6. Refit in reverse order.

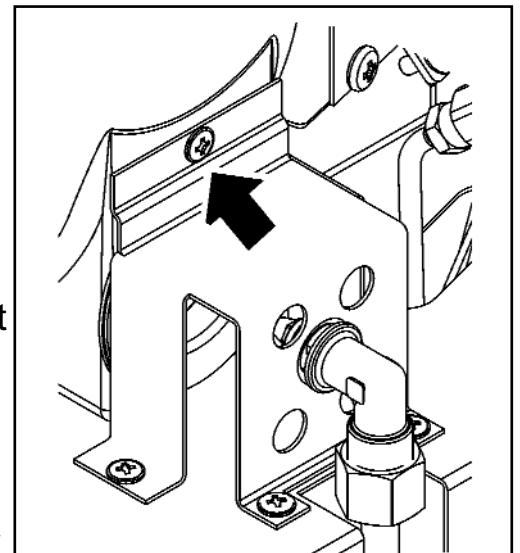


Figure 39. Burner removal

## 15.10 To remove the burner injector.

1. Remove the burner assembly as in section 15.2.
2. Support the injector and unscrew the injector pipe nut.
3. Remove the injector pipe from the gas valve.
4. Unscrew the injector from the injector bracket.
5. Refit in the reverse order.

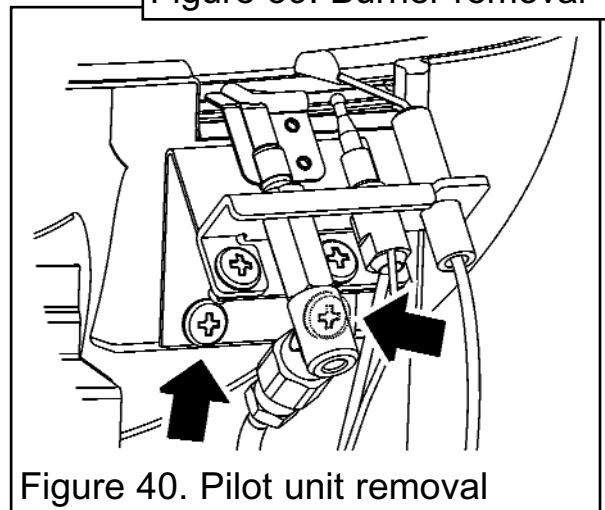


Figure 40. Pilot unit removal

## 15.11 To remove the appliance from the fireplace.

1. Remove the burner assembly as in section 15.2.
2. Slacken the hexagonal adjusters on the cable retainers and unscrew the thumbscrews to release the cables.
3. The fire can now be carefully pulled forward and clear of the fireplace opening.
4. Refit as described in the relevant installation sections. Make sure gas soundness, sealing, spillage test and performance are satisfactory.

# OWNER GUIDE

FOR WARRANTY AND SERVICE INFORMATION  
SEE PAGES 49 TO 55



# OWNER GUIDE

## LIST OF CONTENTS

<u>Section</u>	<u>Page</u>
<b>SAFETY</b>	<b>42</b>
<b>APPLIANCE DIMENSIONS</b>	<b>43</b>
<b>GAS CONSUMPTION</b>	<b>44</b>
<b>OPERATING YOUR FIRE</b>	<b>44</b>
The Oxysafe flame sensing and flue blockage safety system.	44
Operating the fire <b>WITH</b> the Remote Control Handset.	45
Lighting the fire.	45
Adjusting to the pilot only setting.	45
To turn off.	45
Operating the fire <b>WITHOUT</b> the Remote Control Handset.	46
Lighting the burner in the event of battery failure.	46
To turn off.	47
<b>CLEANING YOUR FIRE</b>	<b>47</b>
Metal and painted parts.	47
Burner top surface.	47
Fascia.	47
<b>MAINTENANCE</b>	<b>48</b>
Battery replacement.	48
Handset.	48
Receiver box.	48
Regular maintenance.	48
<b>WARRANTY AND SERVICE</b>	<b>49</b>

---

This gas fire is designed to meet the most stringent quality, performance and safety requirements to provide you with many years' trouble-free service.

This guide aims to improve your understanding and appreciation of your gas fire by providing simple and informative instructions to ensure that you benefit from the excellent performance and features it has to offer.

# OWNER GUIDE

## SAFETY

### IF YOU SMELL GAS

- **DON'T SMOKE.**
- **EXTINGUISH ALL NAKED FLAMES.**
- **DON'T TURN ELECTRICAL SWITCHES ON OR OFF.**
- **TURN OFF THE GAS SUPPLY AT THE METER OR TANK AS APPROPRIATE.**
- **OPEN DOORS AND WINDOWS TO GET RID OF THE GAS.**
- **IMMEDIATELY CALL THE GAS EMERGENCY SERVICE FROM A NEIGHBOURS PHONE - SEE YOUR LOCAL TELEPHONE DIRECTORY.**

**Do** have the fire installed by a competent person. In the United Kingdom, installation must be in accordance with the latest edition of the Gas Safety (installation & use) Regulations. In the Republic of Ireland, installation must be in accordance with all national and local regulations in force.

**Do** have the chimney swept prior to installation if it was previously used for solid fuel.

**Do** have the fire installed in accordance with the installation instructions.

**Do** provide a minimum clearance of 700mm from the base of the fireplace opening to any shelf made of wood or other combustible material where the shelf is not more than 150mm deep. For a shelf deeper than 150mm, add 12.5mm to the clearance for every 25mm of additional shelf depth (See figure 1).

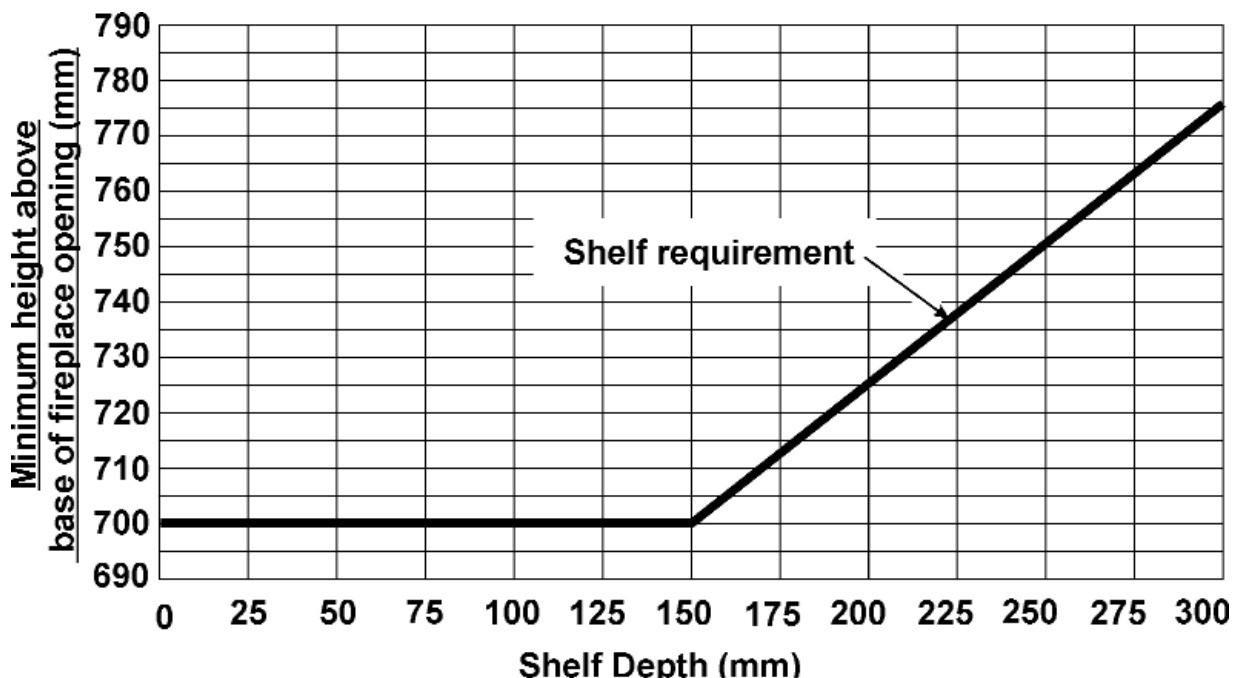


Figure 1. Combustible shelf clearances

**Do** wait three minutes before attempting to relight if the fire is switched off or the flames are extinguished for any reason. (Your fire is fitted with a safety device that will automatically shut off the gas supply to the fire if, for any reason, the flames go out).

**Do** get advice about the suitability of any wall covering near your fire. Soft wall

# OWNER GUIDE

coverings (e.g. embossed vinyl, etc.) which have a raised pattern are easily affected by heat. They may, therefore, scorch or become discoloured when close to a heating appliance. Please bear this in mind whenever you are considering redecorating.

**Do** provide a minimum side clearance as detailed in figure 2. Please bear this in mind if ever you are considering altering the room.

**Do provide a suitable guard that complies with BS 8423 for the protection of young children, the elderly, the infirm and pet animals.**

**Don't** hang clothing, towels or any other fabrics over the fire.

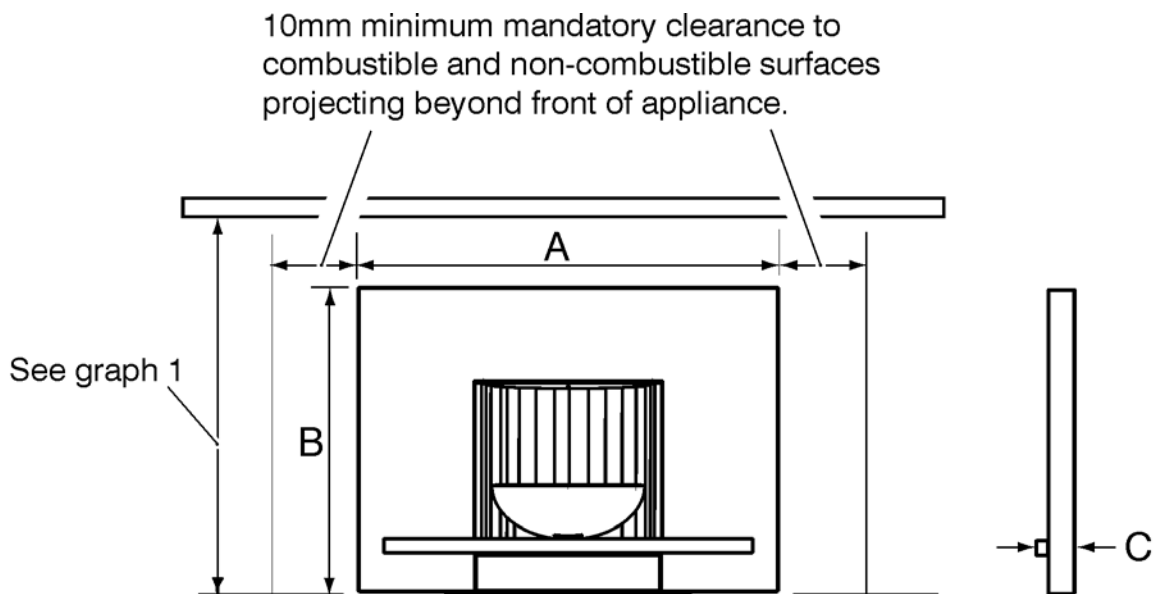
**Don't** add any ceramic fuel effect pieces to the burner. This could cause incomplete combustion and safety hazard.

**Don't** put paper or any other material on the fire.

**Don't** place any combustible material (rugs, carpet, plastic tiles, etc.) on the hearth.

**Don't** attempt to clean or service the fire until it has been switched off and allowed to cool completely.

## APPLIANCE DIMENSIONS



	A	B	C
Landscape models	825	660	86
Portrait models	600	700	86

Optional Hearth Dimensions:

Stone (Part No. 5121114) 825mm (Width) x 300mm (Depth) x 50mm (Height)

Black (Part No. 5121322) 825mm (Width) x 300mm (Depth) x 50mm (Height)

Figure 2. Appliance dimensions and clearances

# OWNER GUIDE

## GAS CONSUMPTION

### Natural Gas

Has a maximum natural gas input of 5.3kW (Gross)

Has a maximum natural gas output of 2.45kW

Has a minimum natural gas input of 3.2kW (Gross)

Has a minimum natural gas output of 1.5kW

### LPG

Has a maximum LPG input of 5.3kW (Gross)

Has a maximum LPG gas output of 2.45kW

Has a minimum LPG gas input of 4.3kW (Gross)

Has a minimum LPG gas output of 2.0kW

## OPERATING YOUR FIRE

### **PLEASE NOTE**

When operating your fire for the first time, some vapours may be given off which may cause a slight odour and could possibly set off any smoke alarms in the immediate vicinity. These vapours are quite normal with new appliances. They are totally harmless and will disappear after a few hours use.

### **The Oxysafe flame sensing and flue blockage safety system.**

For your safety, this appliance is fitted with a flue blockage safety device which will shut down the appliance in the event of abnormal flue conditions. ***This device is NOT a substitute for an independently mounted Carbon Monoxide detector.***

The device will also automatically shut off the gas supply to the fire if the pilot flame goes out due to lack of oxygen or for any other reason.

***If this device starts to repeatedly shut off the gas, get expert advice.***


This device incorporates a probe which senses that the heat from the pilot flame is correct. If this probe is cool, the device will prevent any gas flow unless the control knob is held in at the ignition position.


If, for any reason, the flames go out when the fire is hot or if the fire is turned off when hot, always ***wait at least three minutes before attempting to relight.***

# OWNER GUIDE

## Operating the fire WITH the Remote Control Handset.

### Lighting the fire.





Turn the 'manual' knob to the ON, full counterclockwise  position.

Simultaneously press and hold the 'OFF' and  (large flame) buttons until a short acoustic signal confirms the start sequence has begun; release buttons. Continuing signals confirms the ignition is in progress. There will be a slight delay and several sparks should be seen between the electrode and pilot tip. Once pilot ignition is confirmed there is main gas flow.

### WARNING

When pilot ignition is confirmed, motor turns automatically to maximum flame height.



### Adjusting the flame height.

When the burner is operating press the  (large flame) button to increase the flame height and press the  (small flame) to decrease the flame height. For fine adjustment press the  /  button for approximately two seconds until an acoustic signal is given, then release the button.

Please note:

- The flames on the N.G. appliance will appear predominantly blue. The flames on the L.P.G. appliance will appear predominantly yellow.
- The appliance will operate to its maximum potential if the flue is primed during the first 20 – 30 minutes of operation. To do this, simply set the control knob to its 'HIGH' setting. This will also burn off any dust deposits that may have formed during the appliance being switched off.

### Adjusting to the pilot only setting.

When the burner is operating press and hold the  (small flame) until the burner flame extinguishes. To turn the main burner on again simply press and hold the  (large flame) button.



### To turn off.

To turn the fire off press the 'OFF' button. After turning the fire off the remote control valve will return to its starting position. For this reason it is important to leave the appliance alone for a period of one (1) minute before attempting to relight.

# OWNER GUIDE

## Operating the fire WITHOUT the Remote Control Handset.

### Lighting the burner in the event of battery failure.

1. To gain access to the gas valve gently pull and lift the bottom front cover (See figure 3).
2. The 'main valve knob' is the knob on the right hand side (See figure 4). Turn this knob to the 'OFF', fully clockwise position .
3. The 'manual knob' is the knob on the left hand side (See figure 4). Turn this knob to the 'OFF', fully clockwise  position.
4. Place the 'ON/OFF' switch to the 'O' (Off position).
5. Wait five (5) minutes to clear out any gas. Then smell for gas, including near the floor. If you smell gas STOP! and follow the safety information below.

- DON'T SMOKE.
- EXTINGUISH ALL NAKED FLAMES.
- DON'T TURN ELECTRICAL SWITCHES ON OR OFF.
- TURN OFF THE GAS SUPPLY AT THE METER OR TANK AS APPROPRIATE.
- OPEN DOORS AND WINDOWS TO GET RID OF THE GAS.
- IMMEDIATELY CALL THE GAS EMERGENCY SERVICE FROM A NEIGHBOURS PHONE - SEE YOUR LOCAL TELEPHONE DIRECTORY.
- If you do not smell gas, proceed as below.

6. Place the 'ON/OFF' switch to the '-' (On position).
7. With the 'manual' knob in 'MAN' position a manual pilot valve operator is accessible (See figures 4 & 5).
  - Fully push down the manual pilot valve operator using the end of a pencil or similar and hold in, to start pilot gas flow. Immediately light the pilot with a match, while continuing to hold in the manual pilot valve operator for about ten (10) seconds after the pilot is lit. Release manual pilot valve operator. If pilot does not stay lit, repeat steps 2 through 7.

NOTE: If the pilot does not stay lit after several tries, turn the gas control knob (main valve knob) to 'OFF' and proceed to step 10.

8. Turn the 'manual' knob to the ON, full counterclockwise  position. The main

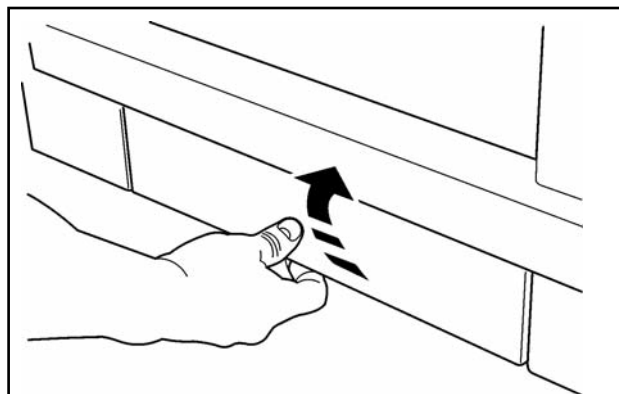


Figure 3. Bottom front access cover

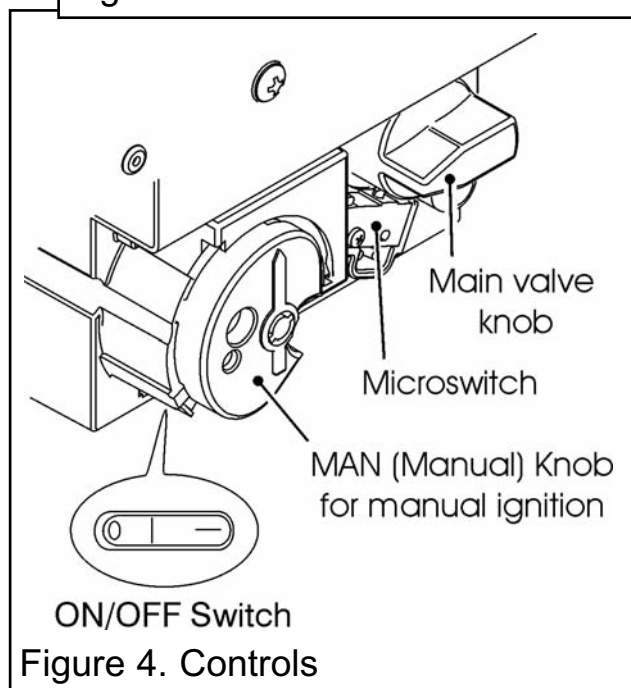


Figure 4. Controls

### Manual Pilot Valve Operator

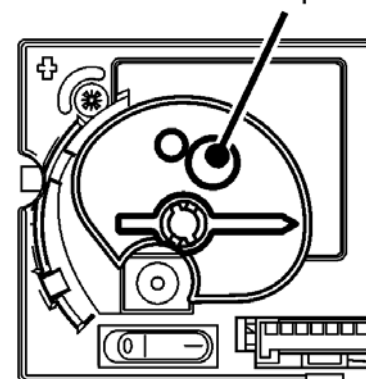


Figure 5. Pilot valve operator

## OWNER GUIDE

burner will now light on the max flame setting.

9. Turn main valve knob to the full 'ON' counterclockwise  position.

10. If the appliance will not operate, follow the instructions "To Turn Off" below and call the Valor Fires Technical Helpline **0844 8711 565**.

### To turn off.

To turn the fire off press the 'ON/OFF' switch to the 'O' (Off position).

## CLEANING YOUR FIRE

To maintain the high performance and quality finish of your fire please follow these guidelines:

- Before attempting to clean the fire, please remember to turn off the fire and wait for the appliance to cool completely. The fire will retain heat for some time before cleaning can begin.
- If any pieces of debris are found in the hotbox, have the chimney inspected before further use.

### Metal and painted parts.

- Clean the metal parts with a slightly damp, lint free non-abrasive cloth and then dry.
- Do **not** use abrasive cleaners, as these will scratch the fire surface.

### Burner top surface.

**Do NOT touch or clean the top surface of the burner.** It is fragile. Do not brush or vacuum it as this may damage the surface. With use the burner surface will change colour. This is normal.

The top surface of the burner is made from ceramic fibre. **The ceramic fibre surface contains Refractory Ceramic Fibres (RCF), which are man-made vitreous silicate fibres. Excessive exposure to this material may cause irritation to eyes, skin and respiratory tract. Consequently, it is important not to touch the burner surface. If touched accidentally we recommend that hands are washed thoroughly.**

### Fascia.

- For general cleaning, clean the fascia parts with a slightly damp, lint free non-abrasive cloth and then dry. If the fascia has fingerprints or scuffs, these can be removed with the use of a neutral coloured soft rubber pencil eraser.

# OWNER GUIDE

## MAINTENANCE

### Battery replacement.

**Please note: In order to ensure maximum battery life and optimal performance, we recommend that only 'Long Life' alkaline type replacement batteries are used.**

### Handset.

The remote control handset is battery powered. To replace the battery, remove the rear compartment cover from the remote control handset. To do this push the cover towards the bottom of the handset (See figure 6). Remove the existing battery. Fit a 9 Volt 'PP3' size battery in to the handset and replace the cover.

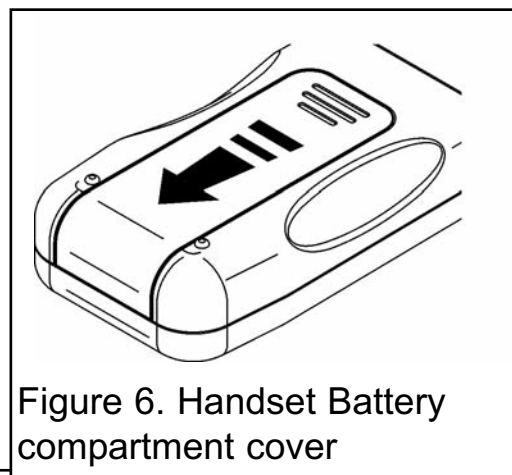


Figure 6. Handset Battery compartment cover

### Receiver box.

The gas valve and receiver box are battery powered.

To replace the batteries for both, lift the bottom access cover on the fascia (See figure 3) and gently pull the receiver box forward and clear of its support. Slide the battery compartment cover clear (See figure 7). Remove the existing batteries. Fit four 1.5 Volt 'AA' size batteries. It is important that the +ve and -ve symbols on the battery match those of the illustration inside the battery holder. Replace the cover, slide the receiver back into its support bracket and shut the access cover.

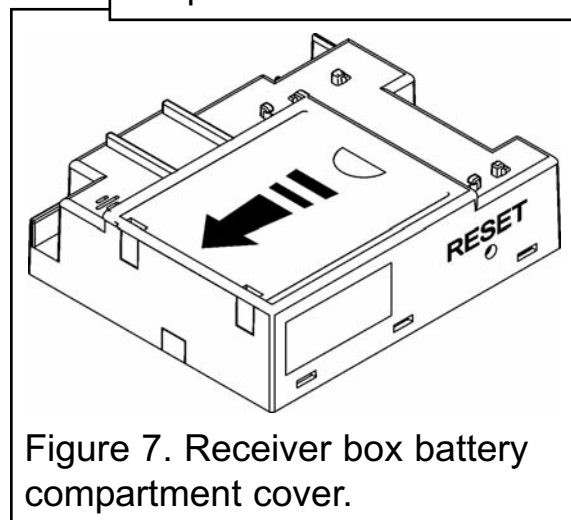


Figure 7. Receiver box battery compartment cover.

### Regular maintenance.

In order to achieve and maintain high levels of personal safety and performance efficiency, it is essential that the opening at the back of the fire and the flue are kept clear of any form of obstruction. It is possible that deposits of mortar or soot could fall and accumulate causing the flue to be blocked or restricted and so preventing proper clearance of dangerous exhaust fumes.

In the United Kingdom it is the law that a landlord must have any gas appliance, flue and pipework which is situated in a tenant's premises checked for safety at least every twelve months by a competent person (In the UK a GAS SAFE REGISTER engineer, Outside of the UK a CORGI or GAS SAFE REGISTER engineer).

We recommend that all gas appliances and their flues, wherever situated, are checked annually.



# OWNER GUIDE

## WARRANTY AND SERVICE

### Standard Warranty Terms & Conditions

The warranty is for 12 months subject to contract.

In the United Kingdom servicing can be carried out either by a **heateam** service engineer or a **GAS SAFE REGISTER** engineer (Outside of the United Kingdom servicing can be carried out either by a **CORGI** or **GAS SAFE REGISTER** engineer). You must register your fire with **heateam**, the service division of Baxi Heating UK Limited, either by completing and returning the registration card or calling our free telephone registration line on **0800 032 72 44**.

It is also a requirement of the warranty that the fire has an annual service (every 12 months) in accordance with the installation and servicing instructions, performed by a **GAS SAFE REGISTER** engineer, (**CORGI** or **GAS SAFE REGISTER** outside of UK). If you would like **heateam** to carry this out this service, please call on **08700 60 30 60**.

### Our promise to you

If you experience a fault with your new fire, we aim to provide a safe and high quality repair service supported by our dedicated national network of highly skilled engineers. If your installer can't resolve the problem for you, we will do everything we can to get an engineer out to you as quickly as possible. Nothing in this warranty will affect your statutory rights.

### What you need to do if you experience a problem with the operation of the fire:

- You should always contact your installer first, because the cause of the fault may not be related to the fire.
- If your installer confirms that the fault is with the fire and they can't repair it, our friendly customer service team is on hand to help.
- Simply call our service division **heateam** on 08706 090 081 to book an engineer visit or for any general advice that you may need. Our contact centre is open Monday to Friday 8am – 6pm, weekends and Bank Holidays 8.30am – 2pm, excluding Christmas Day and New Years day.

# OWNER GUIDE

When calling **heateam**, it would be helpful if you could have the following information to hand:-

1. Fire serial number and fascia code (Located on the information label - See figure 8 on page 55).
2. Date of installation
3. Your installer name and address details
4. Fire make and model number
5. Proof of purchase (if you do not have the fire serial number)

**Note: details 1 – 4 should be recorded on pages 54 & 55 at the end of this guide.**

## **What this warranty covers**

Free of charge repair or replacement of components found to be of faulty manufacture.

Free of charge replacement of the complete unit providing the failure is related to a manufacturing fault that cannot be repaired or is uneconomic to repair.

## **What this warranty does not cover**

Repairs to fires which haven't been installed and commissioned properly and as set out in the installation instructions.

Faults caused by inadequate supply of gas or electricity (where applicable).

Reimbursement of any third party repair or replacement costs that we haven't been told about or agreed with you in advance.

Compensation or consequential losses (e.g. loss of earnings, business losses, stress and inconvenience) arising from a production breakdown, including repair delays caused by factors outside our reasonable control.

# OWNER GUIDE



# OWNER GUIDE

# OWNER GUIDE

## Installer Details (Block Capitals)

Installer Name	
Gas Safe Register or Corgi Registration Number.	
Company Name.	
Company Address	
Company Telephone number	
Company Fax number	

# OWNER GUIDE

Model

Serial number (Can be found on the information label - See figure 8)

A LABEL CONTAINING THE SERIAL NUMBER MAY HAVE BEEN PLACED INSIDE THIS BOX.

Fascia name (Block Capitals)

Fascia code - Can be found close to the information label (Block Capitals)

A LABEL CONTAINING THE FASCIA CODE MAY HAVE BEEN PLACED INSIDE THIS BOX.

Brand (Please tick)

Baxi

Valor

Wonderfire

Other.....

Date of Installation

D D M M Y Y

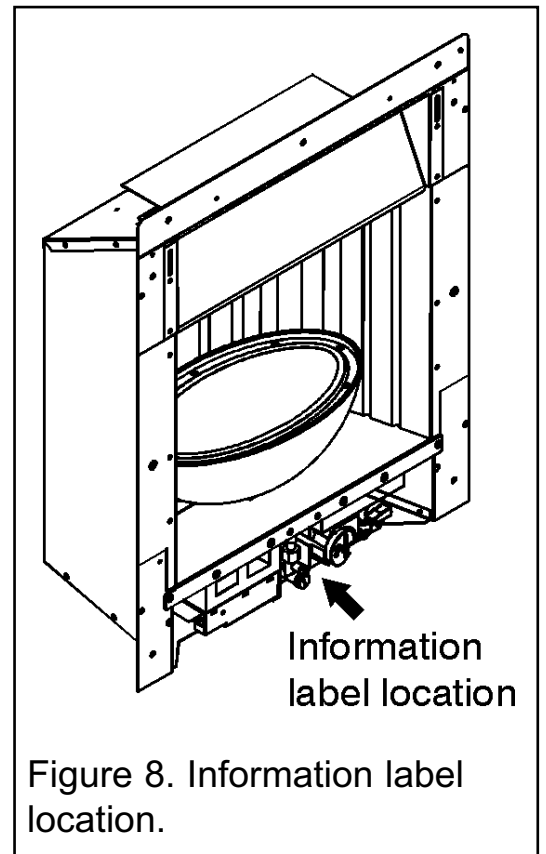


Figure 8. Information label location.

VALOR FIRES