

VALOR FIRES

INSTALLER AND OWNER GUIDE

Model 742

REMOTE CONTROL
INSET LIVE FUEL EFFECT GAS FIRE

Fitted with the

Knightsbridge fascia

(GC No. 32-264-21)



We trust that this guide gives sufficient details to enable this appliance to be installed, operated and maintained satisfactorily. However, if further information is required, our **Valor Fires Technical Helpline** will be pleased to help.
Telephone **0844 8711 565** (National call rates apply in the United Kingdom).
In the Republic of Ireland
Telephone **0044 844 8711 565**.



BAXI • VALOR • WONDERFIRE

INSTALLER: Please leave this guide with the owner

THIS APPLIANCE IS FOR USE WITH NATURAL GAS (G20).

**WHEN CONVERTED USING CONVERSION KIT NO. 0595211 THIS
APPLIANCE IS FOR USE WITH PROPANE GAS (G31).**

**THIS APPLIANCE IS SUITABLE ONLY FOR INSTALLATION IN THE UNITED
KINGDOM (GB) AND THE REPUBLIC OF IRELAND (IE).**

© Baxi Heating U.K. Limited 2009.

All rights reserved. No part of this publication may be reproduced in any material form (including photocopying), stored in any medium by electronic means (including in any retrieval system or database) or transmitted, in any form or by any means, whether electronic, mechanical, recording or otherwise, without the prior written permission of the copyright owner.

Applications for the copyright owner's permission to reproduce any part of this publication should be made, giving details of the proposed use, to the following address: The Company Secretary, Baxi Heating UK Limited, The Wyvern Business Park, Stanier Way, Derby, DE21 6BF.

Warning: Any person who does any unauthorised act in relation to a copyright work may be liable to criminal prosecution and civil claims for damages.

VALOR FIRES

Valor Fires, Erdington, Birmingham B24 9QP
www.firesandstoves.co.uk

Because our policy is one of constant development and improvement, details may vary slightly from those given in this publication

Safety First.

Valor Fires fires are CE Approved and designed to meet the appropriate British Standards and Safety Marks.



Quality and Excellence.

All Valor Fires fires are manufactured to the highest standards of quality and excellence and are manufactured under a BS EN ISO 9001 quality system accepted by the British Standards Institute.



The Highest Standards

Valor Fires is a member of SBGI and HHIC (Heating and Hot water Industry Council) that work to ensure high standards of safety, quality and performance.



Careful Installation

This gas fire must be installed by a competent GAS SAFE REGISTER engineer (GAS SAFE REGISTER or CORGI engineer outside of UK) in accordance with our installer guide and should not be fitted directly on to a carpet or floor of combustible material.



INSTALLER GUIDE

FOR OWNER GUIDE SEE PAGES 38 TO 51

INSTALLER GUIDE

CONTENTS

<u>Section</u>	<u>Heading</u>	<u>Page</u>
	INSTALLER GUIDE	4 - 37
	OWNER GUIDE	38 - 51
1.	SAFETY AND UNPACKING	7
2.	APPLIANCE DATA AND EFFICIENCY	8
	2.1 General information.	8
	2.2 Efficiency.	8
3.	GENERAL INSTALLATION REQUIREMENTS	9
	3.1 Regulations, Standards and Law.	9
	3.2 Ventilation requirements.	10
	3.3 The Atmosphere sensing device (ASD).	10
	3.4 Fireguard requirements.	10
	3.5 Room considerations.	10
	3.6 Chimney preparation.	10
	3.7 Fireplace preparation.	11
	3.8 The hearth.	11
	3.9 Fireplace clearances.	12
	3.10 Installation options.	14
	3.10.1 Conventional fireplace and hearth.	14
	3.10.2 Metal flue box and hearth.	15
	3.10.3 Precast concrete or clay flue block system and hearth.	16
	3.11 Flues.	17
	3.12 Propane appliances.	17
4.	PACK CONTENTS	18
5.	FIREPLACE CHECK	20
	5.1 Soundness for appliance attachment.	20
	5.2 Fireplace flue pull.	20
6.	IGNITION CHECK	21
7.	GAS SUPPLY CONNECTION	21
8.	PREPARING APPLIANCE FOR INSTALLATION	22
9.	HOTBOX INSTALLATION	24
	9.1 Method 1 - Front fixing to fireplace surround.	24
	9.2 Method 2 - Cable retention and floor fixing.	24
	9.3 Sealing floor front - All installations.	26

Continued on next page

INSTALLER GUIDE

CONTENTS (Continued)

<u>Section</u>	<u>Heading</u>	<u>Page</u>
10.	BURNER & SUPPLY PIPE INSTALLATION	27
10.1	Burner and supply pipe installation.	27
10.2	Fitting the batteries.	27
10.3	Preliminary burner checks.	27
10.4	Lighting the pilot.	28
10.5	Checking the heat settings.	28
10.6	To turn the fire back to pilot setting.	28
10.7	To turn the fire off.	28
10.8	Using the remote control handset.	29
10.9	Inlet pressure check.	29
11.	CERAMIC WALLS INSTALLATION	30
12.	FITTING THE FASCIA	30
13.	FITTING THE CERAMIC FUEL EFFECT	31
14.	FIREFRONT INSTALLATION	31
15.	FULL OPERATING CHECKS	31
15.1	Check the control settings.	31
15.2	Check for spillage.	31
15.3	Flame supervision and spillage monitoring system.	32
16.	FINAL REVIEW	33
17.	SERVICING & PARTS REPLACEMENT	34
17.1	Checking the aeration setting of the burner.	35
17.2	To remove the Knightsbridge fascia.	35
17.3	To remove the complete burner unit.	35
17.4	To remove the pilot unit.	36
17.5	To remove the gas valve.	36
17.6	To replace the burner.	37
17.7	To remove the main burner injector.	37
17.8	To remove the appliance from the fireplace.	37

INSTALLER GUIDE

1. SAFETY AND UNPACKING

Installer

Before continuing any further with the installation of this appliance please read the following guide to manual handling:

- The approximate lifting weight (kg) of this appliance is as below:

<u>Model</u>	<u>Heat Engine</u>	<u>Fascia / Firefront</u>	<u>Combined Weight</u>
Knightsbridge	7.26	10.8	18.06

- One person should be sufficient to lift the fire. If for any reason this weight is considered too heavy then obtain assistance.
- When lifting always keep your back straight. Bend your legs and not your back.
- Avoid twisting at the waist. It is better to reposition your feet.
- Avoid upper body/top heavy bending. Do not lean forward or sideways whilst handling the fire.
- Always grip with the palm of the hand. Do not use the tips of fingers for support.
- Always keep the fire as close to the body as possible. This will minimise the cantilever action.
- Use gloves to provide additional grip.
- Always use assistance if required.

This product uses fuel effect pieces and burner compartment walls containing Refractory Ceramic Fibres (RCF), which are man-made vitreous silicate fibres. Excessive exposure to these materials may cause irritation to eyes, skin and respiratory tract. Consequently, it is important to take care when handling these articles to ensure that the release of dust is kept to a minimum. To ensure that the release of fibres from these RCF articles is kept to a minimum, during installation and servicing we recommend that you use a HEPA filtered vacuum to remove any dust and soot accumulated in and around the fire before and after working on the fire. When replacing these articles we recommend that the replaced items are not broken up, but are sealed within a heavy duty polythene bag, clearly labelled as RCF waste. RCF waste is classed as a stable, non-reactive hazardous waste and may be disposed at a landfill licensed to accept such waste. Protective clothing is not required when handling these articles, but we recommend you follow the normal hygiene rules of not smoking, eating or drinking in the work area and always wash your hands before eating or drinking.

This appliance does not contain any component manufactured from asbestos or asbestos related products.

INSTALLER GUIDE

2. APPLIANCE DATA AND EFFICIENCY

2.1 General information.

Gas	Natural (G20)	Propane (G31) *
Inlet Pressure	20mbar	37mbar
Input - Max. (Gross)	6.85kW (23,372 Btu/h)	6.7kW (22,860 Btu/h)
Input - Min. (Gross)	1.55kW (5,288 Btu/h)	3.2kW (10,918 Btu/h)
Inlet Test Pressure (Cold)	20.0 ± 1.0 mbar (8.0 ± 0.4in w.g.)	37.0 ± 1.0 mbar (14.85 ± 0.4in w.g.)
Gas Connection	8mm pipe	8mm pipe
Burner Injector	Cat 82 - 074	Size 132
Pilot & Atmosphere Sensing Device	Copreci Ref. O.D.S 21500/213	Copreci Ref. O.D.S 21500/213 Fitted with RBM 180 -02 injector
Ignition	Integral piezo (Mounted on gas valve)	Integral piezo (Mounted on gas valve)
Aeration	Factory set	Non-adjustable

*When converted using kit 0595211.

The appliance data label is located on a plate at the base of the fire. This can be seen by removing the lower front casting.

2.2 Efficiency.

The efficiency of this appliance has been measured as specified in BS 7977 - 1 and the result is as below :

<u>Model</u>	<u>Efficiency % (Gross)</u>
742	51
742 when converted to LPG.	54

The gross calorific value of the fuel has been used for this efficiency calculation. The test data from which it has been calculated has been certified by Advantica Certification services (0087). The efficiency value may be used in the UK Government's Standard Assessment Procedure (SAP) for energy rating of dwellings.

The conversion of **net** efficiency to **gross** was achieved by multiplying the net efficiency by the following conversion factor from Table E3 of SAP 2005, rounding down to the nearest whole number.

INSTALLER GUIDE

Gas	Conversion factor from net to gross efficiency
Natural Gas	0.901
LPG	0.921

3. GENERAL INSTALLATION REQUIREMENTS

3.1 Regulations, Standards and Law.

The installation must be in accordance with these instructions.

For the user's protection, in the United Kingdom it is the law that all gas appliances are installed by competent persons in accordance with the current edition of the Gas Safety (Installation and Use) Regulations. Failure to install the appliance correctly could lead to prosecution. GAS SAFE REGISTER and CORGI require their members to work to recognised standards.

In the United Kingdom the installation must also be in accordance with:

All the relevant parts of local regulations.

All relevant codes of practice.

The relevant parts of the current editions of the following British Standards:-

BS EN 1856 Part 1 - Chimneys - Requirements for metal chimneys.

BS 715 - Specification for metal flue boxes for gas-fired appliances not exceeding 20kW.

BS EN 1858 - Chimneys - Components - Concrete flue blocks.

BS EN 1806 - Chimneys - Clay / ceramic flue blocks.

BS EN 1856 Part 1 - Chimneys - Requirements for metal chimneys.

BS 5440 Part 1 - Installation of flues.

BS 5440 Part 2 - Installation and maintenance of flues and ventilation for gas appliances of rated input not exceeding 70 kW net (1st, 2nd and 3rd family gases).

BS 6461 Part 1 - Masonry chimney & flues - Installation

BS 1251 - Fireplace components

BS 5871 Part 2 - Installation - Inset LFE gas fires

BS 6891 - Gas pipework installation

- In England and Wales, the current edition of the Building Regulations issued by the Department of the Environment and the Welsh Office.
- In Scotland, the current edition of the Building Standards (Scotland) Regulations issued by the Scottish Executive.
- In Northern Ireland, the current edition of the Building regulations (Northern Ireland) issued by the Department of the Environment for Northern Ireland.
- In the republic of Ireland the installation must be carried out by a competent person and also conform to the relevant parts of:
 - a) The current edition of IS 813 "Domestic Gas Installations"
 - b) All relevant national and local rules in force.

INSTALLER GUIDE

Where no specific instructions are given, reference should be made to the relevant British Standard Code of Practice.

3.2 Ventilation requirements.

Normal adventitious ventilation is usually sufficient to satisfy the ventilation requirements of this appliance. In GB reference should be made to BS 5871 Part 2 and in IE reference should be made to the current edition of IS 813 “Domestic Gas Installations” which makes clear the conditions that must be met to demonstrate that sufficient ventilation is available.

3.3 The Atmosphere sensing device (ASD).

The appliance is fitted with an A.S.D (Atmosphere sensing device). If the appliance closes down after a period of operation for no apparent reason, the consumer should be informed to stop using the appliance until the installation and appliance have been thoroughly checked. The A.S.D will shut the appliance down if an unacceptable amount of harmful products of combustion accumulate. Under no circumstances should the A.S.D be altered or bypassed in any way. Only a genuine manufacturer’s replacement part should be fitted. The individual A.S.D components are not replaceable.

3.4 Fireguard requirements.

A fireguard complying with BS 8423 should be fitted for the protection of young children, the elderly, the infirm and pet animals.

3.5 Room considerations.

3.5.1 This appliance must not be installed in any room that contains a bath or shower or where steam is regularly present.

3.5.2 An extractor fan may only be used in the same room as this appliance, or in any area from which ventilation for the appliance is taken, if it does not affect the safe performance of the appliance. Note the spillage test requirements detailed further on in this manual. If the fan is likely to affect the appliance, the appliance must not be installed unless the fan is permanently disconnected.

3.5.3 Note that soft wall coverings (e.g. embossed vinyl, etc.) are easily affected by heat. They may scorch or become discoloured when close to a heating appliance. Please bear this in mind when installing.

3.6 Chimney preparation.

3.6.1 If the appliance is intended to be installed to a chimney that was previously used for solid fuel, the flue must be swept clean prior to installation. All flues should be inspected for soundness and freedom from blockages.

INSTALLER GUIDE

3.6.2 Any chimney damper or restrictor should be removed. If removal is not possible, they must be secured in the open position.

3.7 Fireplace preparation.

3.7.1 If the fireplace opening is an underfloor draught type, it must be sealed to stop any draughts.

3.7.2 The fireplace floor should be reasonably flat to ensure that the hotbox can be installed without it rocking and so that a good seal can be made at the bottom front of the box.

3.7.3 The front face of the fireplace should be reasonably flat over the area covered by the hotbox top and side flange seals to ensure good sealing. These faces should be made good if necessary.

3.7.4 If the appliance is to be fitted against a wall with combustible cladding, the cladding must be removed from the area covered by the fascia. The cladding must also not touch the fascia (See figure 1). We suggest that the actual fascia is used as a template to mark the area for combustible cladding removal and that this area is increased by at least 2mm all round.

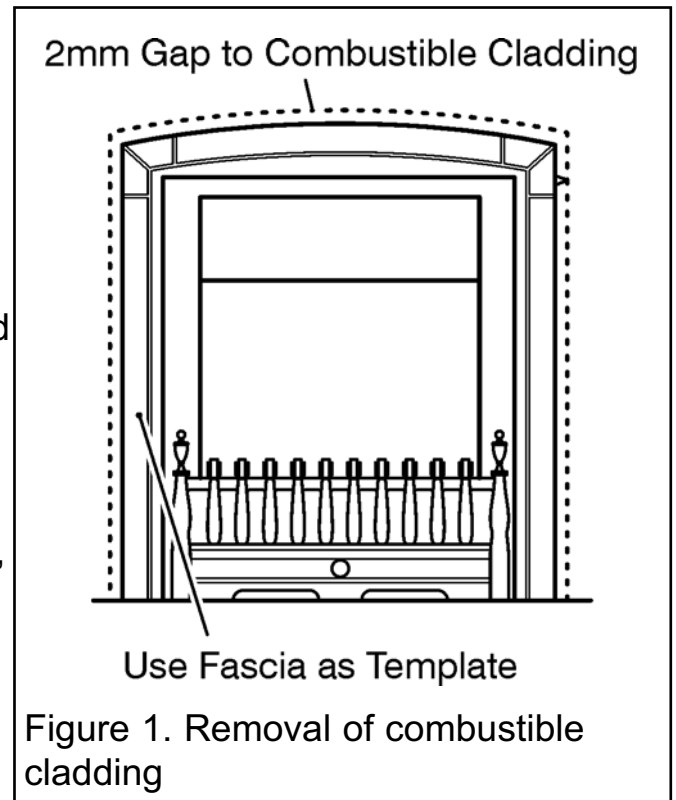
3.7.5 If the fireplace opening is greater than the acceptable dimensions given in this guide, do not use the back of a fire surround or marble to reduce the opening. This may cause cracking of the surround back or marble.

3.8 The hearth.

The appliance must be mounted behind a non-combustible hearth unless the conditions of section 3.10.1.1 are met (N.B. conglomerate marble hearths are considered as non-combustible). The appliance can be fitted to a purpose made proprietary class "O"-150°C surround. The hearth material must be at least 12mm thick. The periphery of the hearth (or fender) should be at least 50mm above floor level to discourage the placing of carpets or rugs over it.

The surface of the hearth must be sufficiently flat to enable the bottom of the front surround and the bottom front cover to be aligned horizontally. Any excessive unevenness (uneven tiles, Cotswold stone, etc.) should be rectified.

The appliance must not stand on combustible materials or carpets.



INSTALLER GUIDE

3.9 Fireplace clearances.

3.9.1 The minimum height from the base of the fireplace opening to the underside of any shelf made from wood or other combustible materials is detailed below.

- For a shelf up to 150mm deep: Minimum height = 760mm.
- For a shelf deeper than 150mm: 760mm + 12.5mm for every 25mm depth over 150mm (See figure 2).

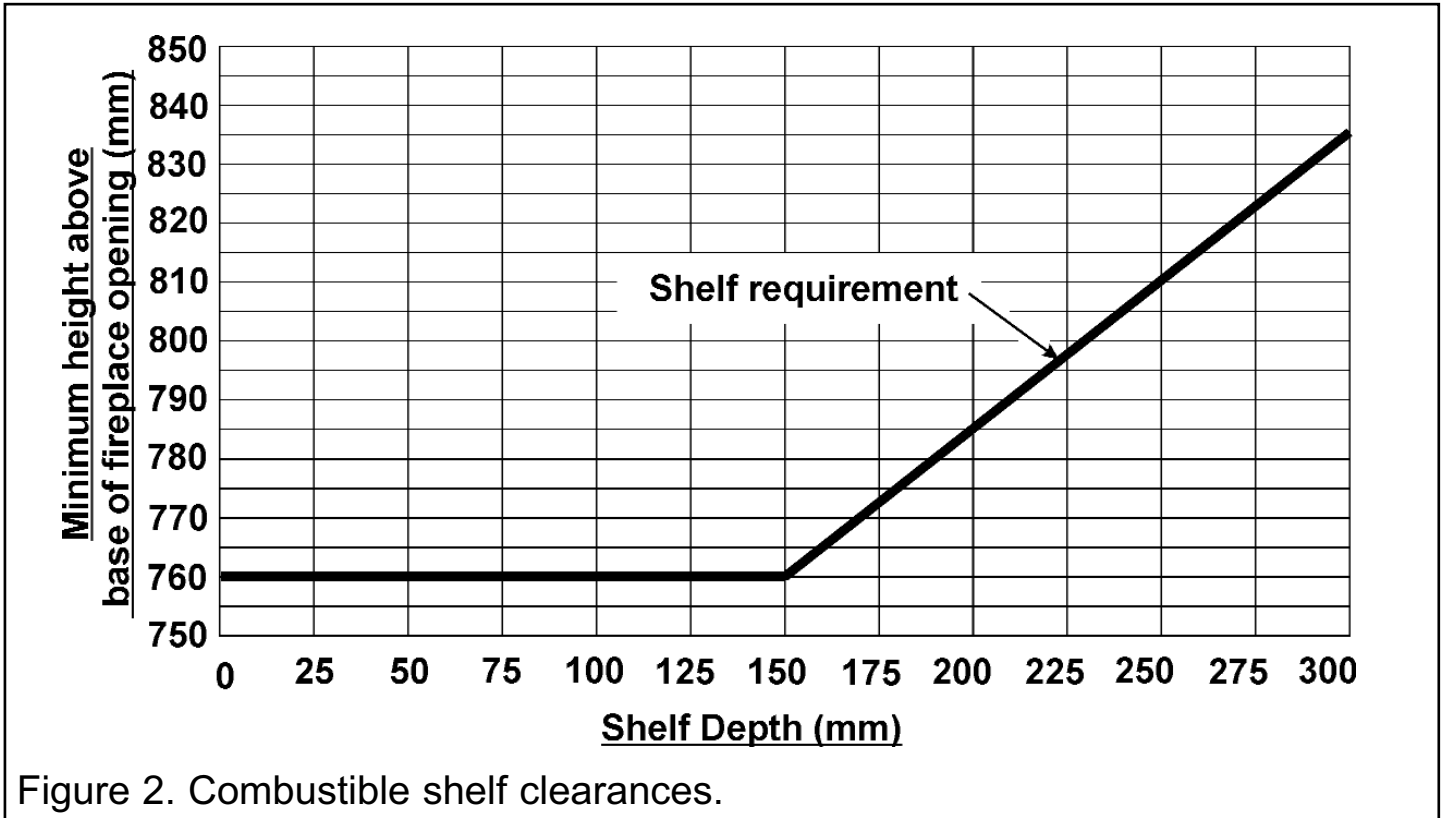
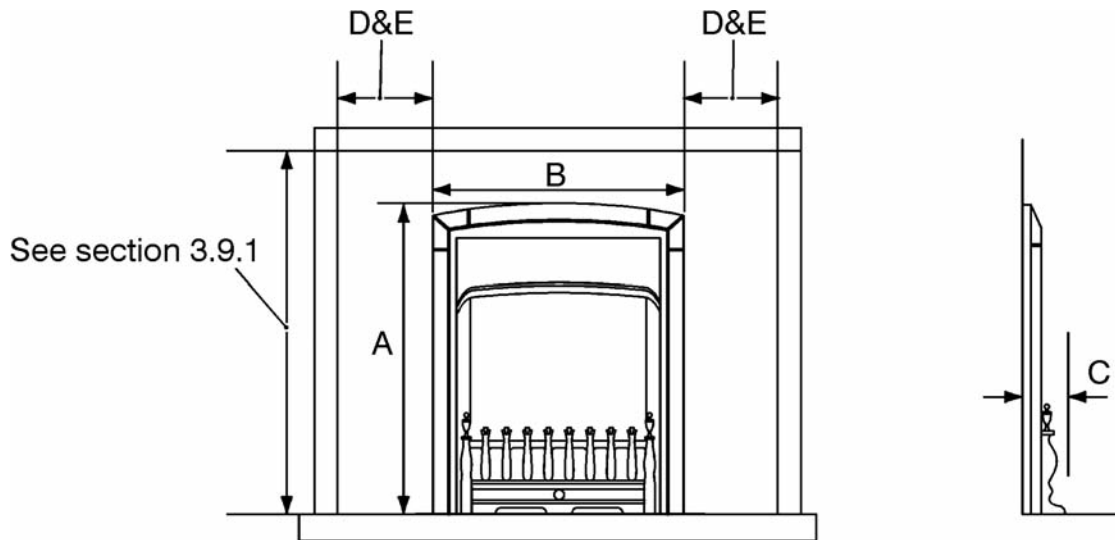


Figure 2. Combustible shelf clearances.

3.9.2 The minimum allowable distance from the outside of the appliance fascia to a corner wall having combustible material or any other combustible surface which projects beyond the front of the appliance is shown in figure 3.

INSTALLER GUIDE



	Key				
	A	B	C	D	E
Model	Height (mm)	Width (mm)	Depth into room (mm)	Minimum mandatory clearance to combustible surfaces projecting beyond the front of appliance (mm).	Recommended clearance to non-combustible surfaces for access purposes (mm).
Knightsbridge	599	492	65	125	10

Figure 3. Appliance dimensions and clearances (Dimensions are subject to manufacturing deviation. Fascia may differ from that shown).

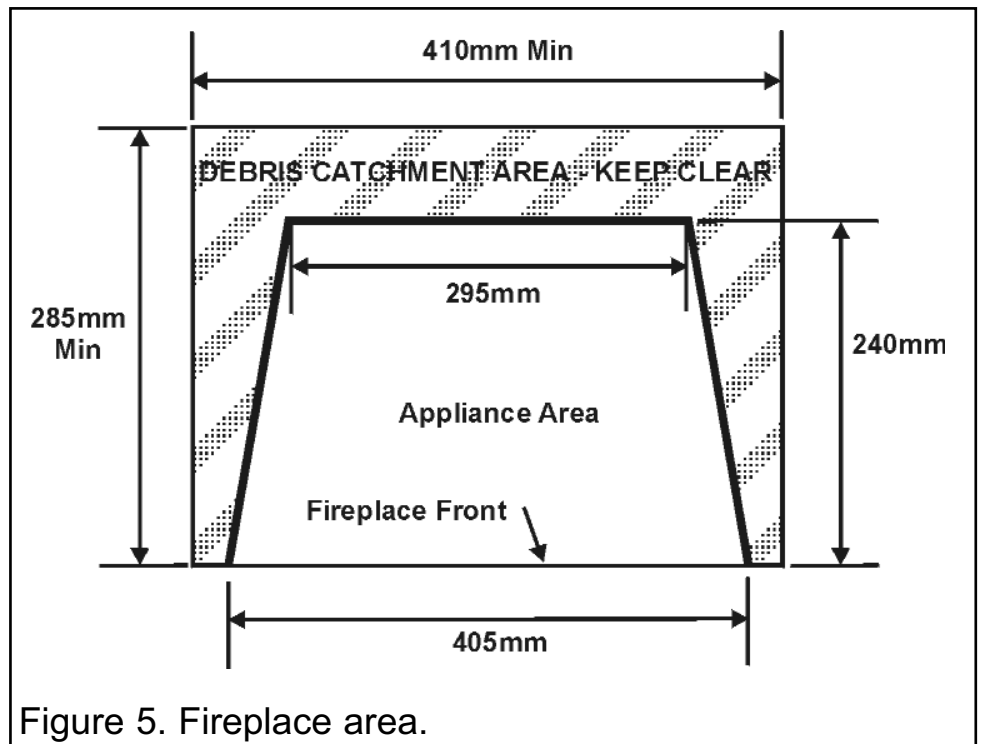
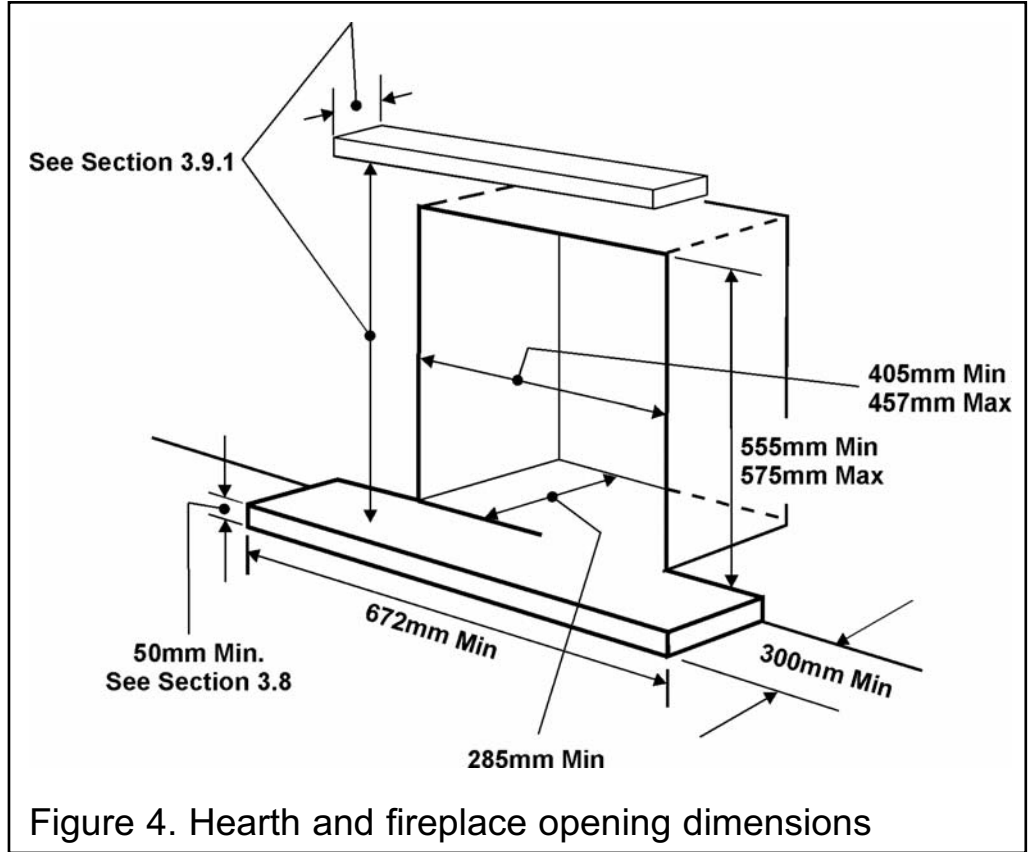
INSTALLER GUIDE

3.10 Installation options.

In the United Kingdom, as supplied, the appliance can be installed in the following situations: -

3.10.1 Conventional fireplace and hearth.

To a fireplace complete with surround and hearth as shown in figure 4 and complying with BS1251 after removal of the fireback and sufficient material behind the fireback for a debris catchment space. The required fireplace, hearth, debris catchment area and clearance dimensions are shown in figure 5.



INSTALLER GUIDE

3.10.1.1 'Hole-in-the-wall' Installations.

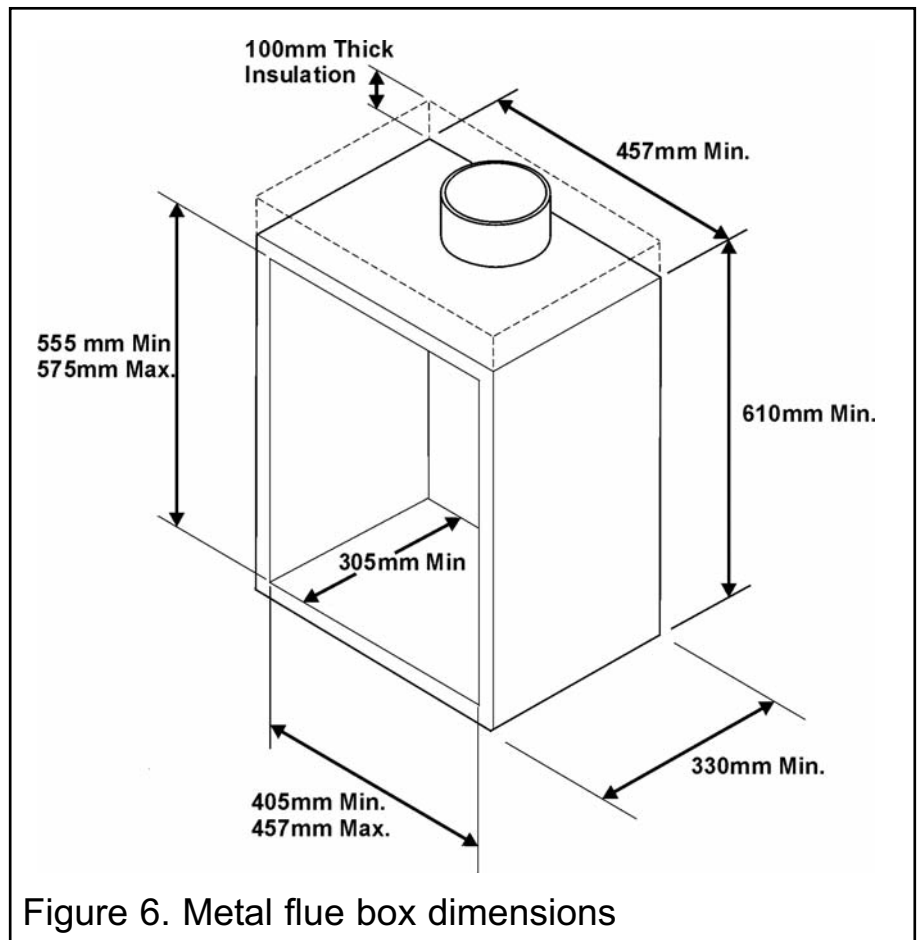
- It is recommended that a hearth should be installed as in section 3.8 (See figure 4).
- If a hearth is not fitted or a reduced depth hearth is fitted, the fire must be installed so that the distance from the base of the fireplace opening in the wall to the finished floor level is at least 100mm. Where there is no floor covering or carpet and the floor is of a type that is likely to be covered in such a way in the future then the distance from the base of the fireplace opening in the wall to the floor level should be increased to at least 175mm.
- To protect from the risk of burns and ignition of clothing a tactile separator shall be used. The hearth detailed in section 3.8 meets the requirements for a tactile separator. If this is not used then a 672mm long fender, kerb, horizontal bar, or other barrier, being fixed not less than 50mm above floor level and positioned 300mm in front of the fixing plane of the fire will meet the requirement.

3.10.2 Metal flue box and hearth.

The appliance can be installed to a fireplace incorporating a metal flue box complying with the constructional requirements of the current edition of BS 715 and with a flue conforming to BS EN 1856 part 1. The dimensions of the flue box must conform to those shown in figure 6.

Important Note:

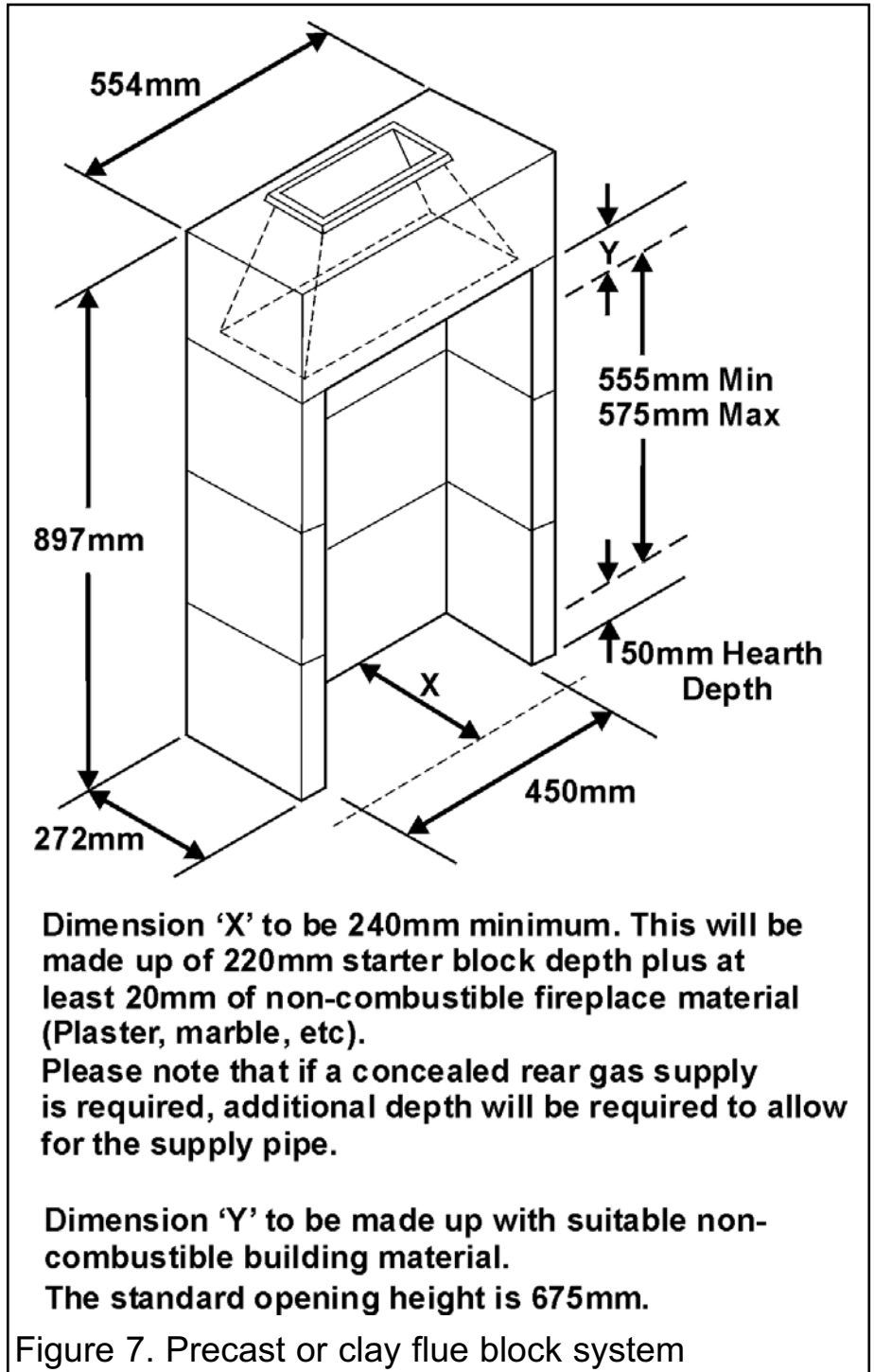
The top surface of the metal flue box must be covered with a 100mm layer of mineral wool or equivalent insulation (See figure 6).



INSTALLER GUIDE

3.10.3 Precast concrete or clay flue block system and hearth.

The appliance can be installed to a precast concrete or clay flue block system conforming to BS EN 1858 with dimensions as in figure 7. BS 1289 part 1 recommends there should be an air space or insulation between the flue blocks and the plaster because heat transfer may cause cracking on directly plastered flues. However, generally this appliance is suitable for installations under all circumstances unless there is a history of cracking problems. Remember that faults such as cracking may be caused by poorly built and restrictive flues, e.g. mortar extrusions, too many bends, flue heights below three metres, restrictive terminations etc.



INSTALLER GUIDE

3.11 Flues.

1. Suitable flues and minimum flue sizes are as follows:

It should be noted that, as with many appliances, sharp bends or horizontal runs in metal flues at the top of the system can be a cause of problems in these types of installation.

- 225mm x 225mm conventional brick flue.
- 175mm diameter lined brick or stone flue.
- 200mm diameter factory made insulated flue manufactured to BS4543 Part 2.
- 175mm diameter flue pipe. See BS6461 Part 1 for suitable materials.
- Single wall, twin wall or flexible flue liner with a minimum diameter of 125mm. The materials to be used are stainless steel or aluminium as specified in BS EN 1856 Part 1. The liner must be sealed to the surrounding area above the fireplace opening and to the top of the chimney. An approved terminal must be fitted.
- A properly constructed precast concrete or clay flue system conforming to BS1289 or BS EN 1858. This system is only suitable if the conditions stated in section 3.10.3 are met.

2. The flue must conform to BS 5440: Part 1 in design and installation.

The flue, measured from the bottom of the fireplace opening to the bottom of the terminal, shall be not less than 3m in actual vertical height. When calculated in accordance with BS 5440: Part 1 Annex A, the minimum **equivalent** height of the flue shall be 2.0m of 125mm dia. flue pipe.

3. The flue must not be used for any other appliance or application.

4. Proprietary terminals must comply with BS 715 or BS 1289. Any terminal or termination must be positioned in accordance with BS 5440 Part 1 to ensure that the products of combustion can be safely dispersed into the outside atmosphere. Where the appliance is connected to an unlined brick chimney it is generally unnecessary for the chimney pot to be replaced or for a terminal to be fitted unless the flue has a diameter smaller than 170mm.

3.12 Propane appliances.

Propane gas appliances must not be installed in a room that is built entirely below ground level (See BS 5871 Part 2).

INSTALLER GUIDE

4. PACK CONTENTS

The items required for this appliance are packed in two sections.

Section 1 - Fire Unit contains:

- 1 Burner and hotbox unit.
- 1 Nut & olive for 8mm inlet pipe.
- 1 Inlet 'T' connector and pressure test point.
- 1 Flue restrictor.
- 2 No.8 x10 Screws (For flue restrictor).
- 2 No.8 x10 Screws (For Fireback spacing brackets).
- 2 No.8 x10 Screws (For rear ceramic wall support bracket).
- 2 M4 x 10 Machine screws (For fascia securing)
- 1 Ceramic back wall.
- 1 Pair of ceramic side walls.
- 1 Ceramic fuel effect pack.
- 2 Small "U" seals for hotbox.
- 1 Strip of floor sealing tape.
- 6 Fibre / wooden wall plugs.
- 4 wood screws.
- 2 Fire retaining cables.
- 2 Cable adjusters.
- 4 Eyebolts.
- 1 Rubber grommet.
- 1 Smoke match tube.
- 2 Fireback spacing brackets.
- 1 Rear ceramic wall support bracket.
- 1 Length of self adhesive foam seal.
- 1 Literature pack.
- 1 Remote control handset.
- 4 'AA' size batteries for remote receiver.
- 1 'PP3' size battery for remote handset.

Section 2 - Knightsbridge fascia:

- 1 Fascia.
- 1 Firefront casting.
- 1 Bottom front cover casting.

Carefully remove all the contents. Take special care in handling the ceramic walls and the ceramic fuel effect pieces. Check that all the listed parts are present and in good condition.

5. FIREPLACE CHECK

5.1 Soundness for appliance attachment.

Two primary methods of retaining the appliance are provided: -

- 1) By fixing to the fireplace front surround.
- 2) Using concealed tension cables fixed to the rear of the fireplace opening together with secondary fixing to the fireplace floor.

The methods are detailed in section 9 of this manual. Before selecting the retention method, consult with the customer. Method 2 is provided for instances where drilling holes in the front surface of the fireplace surround is unacceptable to the customer or otherwise impractical. *N.B. It is unwise to attempt to drill into marble without the proper tools and equipment.*

If method 1 is chosen, make sure that the front surround area is sound enough to take the wall fixing plugs and wood screws. If necessary, make sound with a suitable cement.

If method 2 is chosen, make sure that the areas at the back and towards the centre of the fireplace floor are sound enough to take the eyebolts and screws. If these areas have deteriorated due to prolonged use, they should be made sound with a suitable cement.

5.2 Fireplace flue pull.

Close all doors and windows in the room in which the appliance is to be installed. After confirming with a match that smoke is drawn into the flue, light a 13 gram smoke pellet and check that there is a definite flow through the flue. Verify outside that the smoke exits from one terminal only and that the termination is suitable. Observe, where possible, upstairs rooms and loft spaces for signs of escaping smoke indicating a defective flue. If there is not a definite flow warm the flue for a few minutes and repeat the smoke pellet test. If there is still no definite flow the flue may need remedial work – **Do not fit the appliance until there is a definite flow through the flue.**


INSTALLER GUIDE

6. IGNITION CHECK

Before attempting to install, it is worth checking that the ignition system performs satisfactorily.

The pilot burner and electrode unit is at the left front of the burner.

- Push in the right hand control knob and turn anticlockwise through the ignition position marked

★ And up to the pilot position marked .

A spark should flash across from the pilot electrode to the pilot burner tip. If there is no spark check the following: -

- Ensure that the electrode lead is connected to the terminal at the base of the electrode.
- If the above is correct, check for damage to the electrode lead.

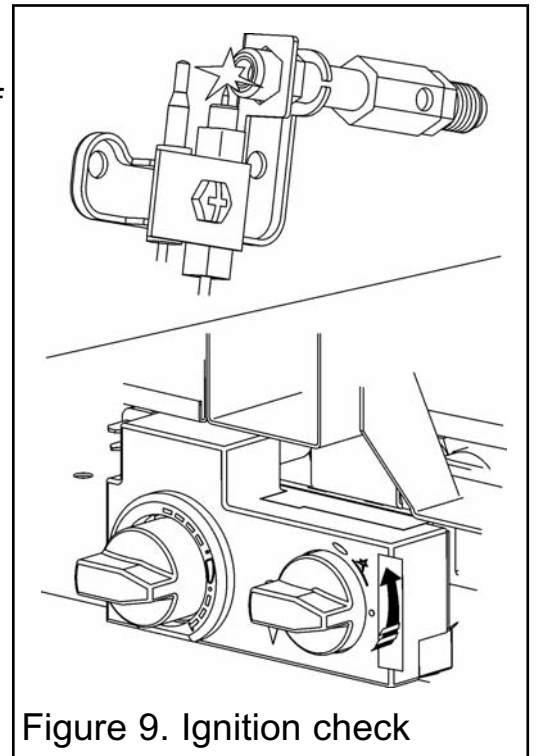


Figure 9. Ignition check

7. GAS SUPPLY CONNECTION

A nut and olive are provided for an 8mm pipe inlet connection to the 'T' connector at the bottom front of the appliance. The 'T' connector can be rotated to allow a connection from any direction but we strongly recommend a rear supply connection only, as left and right hand connections from the front of the fire will prevent/restrict manual control operation and access to the remote control sensor for battery replacement. The 'T' connector includes a valve for isolating the gas supply and a pressure test point.

The supply pipe must be rigid material. Flexible pipe must not be used.

Concealed supply pipe connection

If a concealed connection from inside the fireplace is required then, **before the appliance is fitted into the fireplace** it will be necessary to extend the supply line so that it will project through the hole in the back of the hotbox and run to the inlet 'T' connector at the front. The pipe run from the supply line up to the rear opening in the hotbox must be kept away from the area which will be taken by the hotbox when it is installed (See figure 5).

Note that the centre of the appliance inlet 'T' connector is 25mm above the fireplace floor. The inlet 'T' connector should be fitted to the supply pipe at this stage.

INSTALLER GUIDE

8. PREPARING APPLIANCE FOR INSTALLATION

1. Detach the burner unit from the hotbox by removing two screws (See figure 10). Lift the burner unit clear.
2. Fit the two “U” section seals to the bottom edges of the hotbox side flanges (See figure 11).
3. **It is important that the grommet supplied in the loose parts pack is fitted to the hole in the rear of the hotbox.**

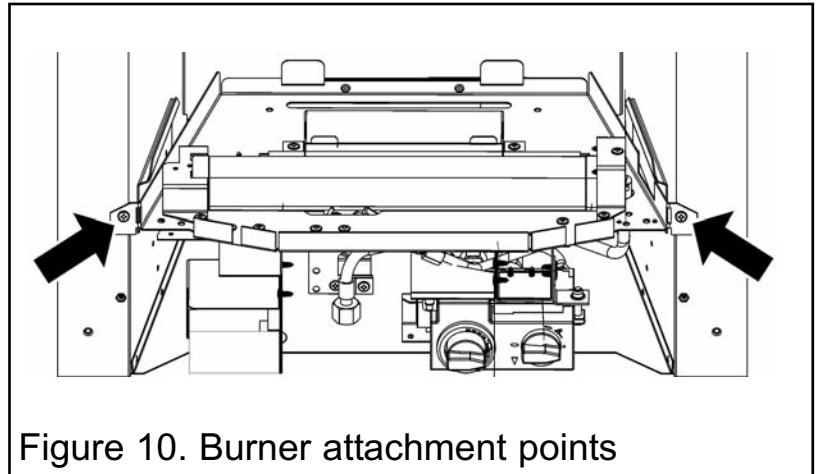


Figure 10. Burner attachment points

For concealed connection only:

Pierce the grommet to allow the pipe to pass through it. The grommet should envelop the pipe. If the hole is larger than the pipe, seal it with tape. **Do not pierce the grommet unless the supply pipe is to pass through it.**

4. The appliance is supplied with two fireback spacers. **Do not fit the fireback spacers if the fire is to be installed into a precast or clay flue block system as in section 3.10.3.** These should extend backwards to ensure sufficient clearance from the back of the fireplace. Remove the label and retaining screws from the rear sides of the hotbox. Position the fireback spacer as shown in figure 12. Secure the fireback spacers using the screws removed previously and the two supplied with the fire.

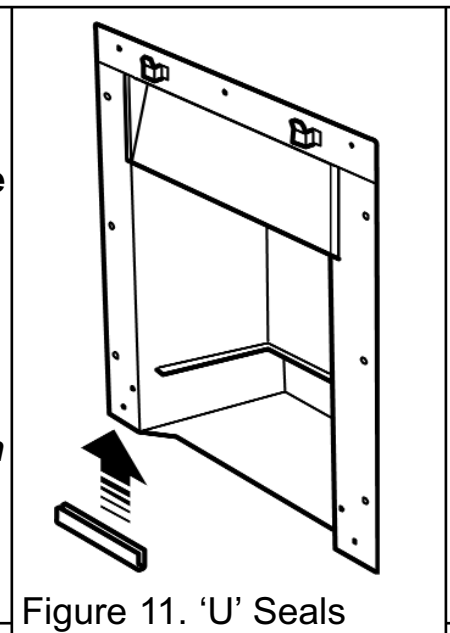


Figure 11. 'U' Seals

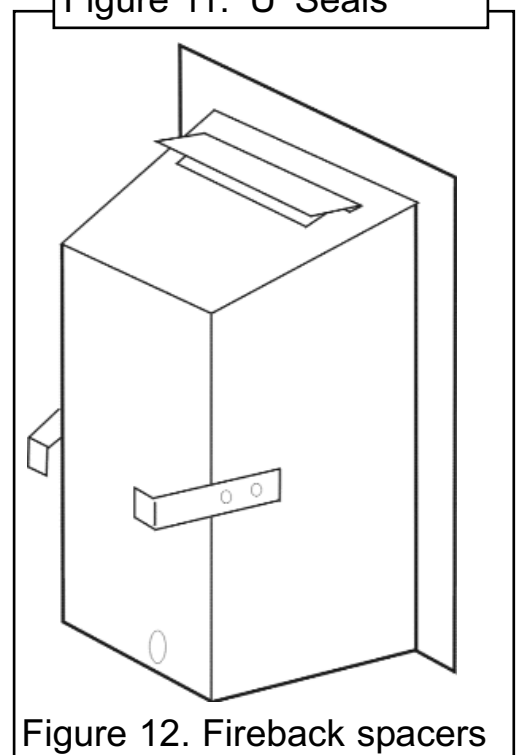


Figure 12. Fireback spacers

INSTALLER GUIDE

5. This appliance is supplied with a flue restrictor for use where the flue draught is excessive. Generally we recommend the restrictor is NOT fitted where a precast flue, metal flue box or a flue liner is used, however, certain flues may work sufficiently to warrant its use. There may however, be circumstances where fitting the restrictor causes the fire to fail the spillage test. In such cases the restrictor will have to be removed. After removal conduct the spillage check again. The restrictor is packed loose with the appliance and is fixed with two screws (See figure 13).

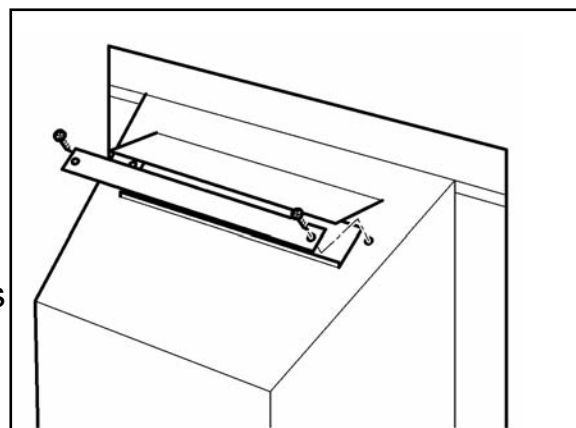


Figure 13. Flue restrictor

6. There is a length of self adhesive foam seal supplied with the fire. This will need to be fitted to the outer rear edges of the side and top flanges of the hotbox. Cut a 485mm length of foam seal. Be careful not to stretch the seal when measuring. Remove the protective backing from the foam seal and fit this to the rear of the top flange (See figure 14). Cut two 580mm lengths. Fit these to the rear outer edges of the side flanges. Ensure that there is no gap between the foam seals where they meet at the top flange (See figure 14)

The Foam Seal should touch at this point. Ensure that there is no gap between the seals

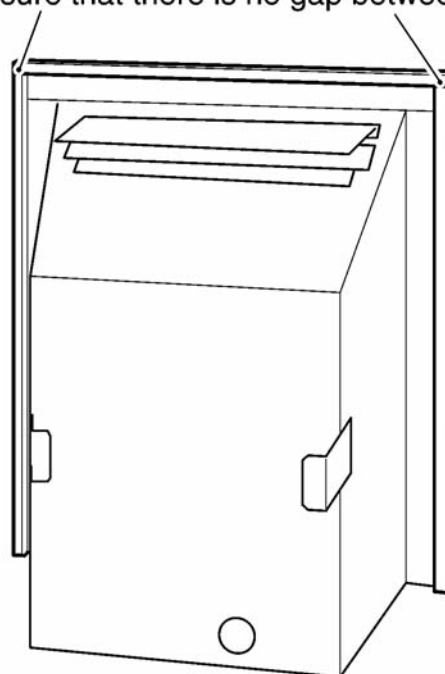


Figure 14. Fitting the foam seal

7. This appliance is supplied with a rear ceramic support bracket. Fit this using two screws supplied (See figure 15).

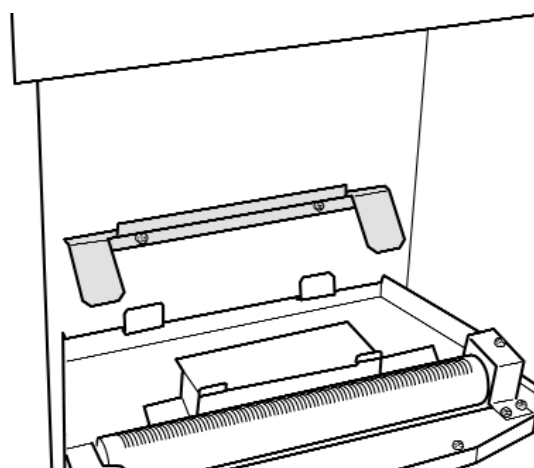


Figure 15. Fitting the rear ceramic support.

INSTALLER GUIDE

9. HOTBOX INSTALLATION

9.1 Method 1 - Front fixing to fireplace surround.

1. Make sure that the fireplace front surround area is sound enough to take the fibre / wooden wall plugs and wood screws. If necessary, make sound with suitable cement.

2. Place the hotbox centrally in the fireplace in the position in which it is to be permanently installed. If a concealed connection is being used, insert the hotbox into the fireplace feeding the supply pipe through the pierced hole in the rear grommet.

3. Mark the fireplace front surround through the four fixing holes in the side flanges of the hotbox (See figure 16).

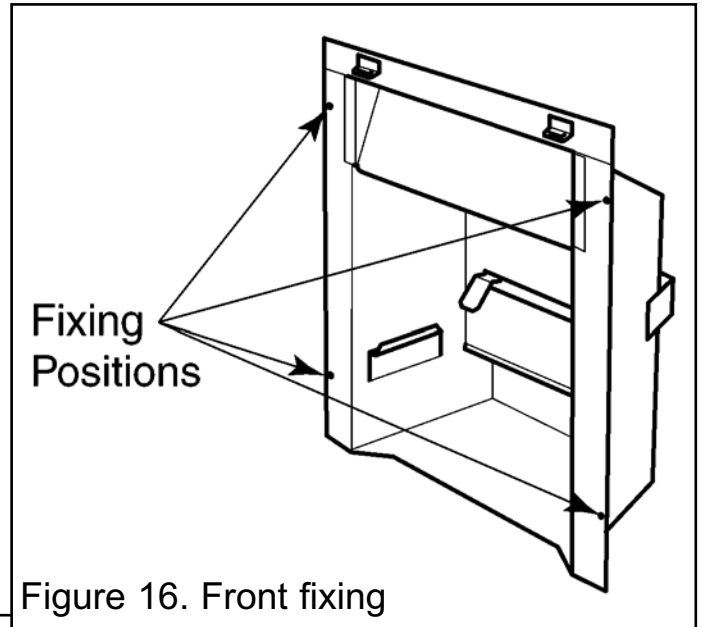
4. Remove the hotbox. Drill four holes in the

fireplace front surround at the marked positions using a suitably sized masonry drill.

5. Insert a fibre / wooden wall plug into each hole.

6. Place the hotbox back in position in the fireplace.

7. Fit a wood screw through each hole in the hotbox flanges and tighten to seal the box to the fireplace surround.



9.2 Method 2 - Cable retention and floor fixing.

1. Make sure that the relevant areas at the fireplace back or floor are sound enough to take the eyebolts and screws. If these areas have deteriorated due to prolonged use they should be made sound with suitable cement.

2. Drill four holes in the rear wall of the fireplace for the fibre / wooden wall plugs. The

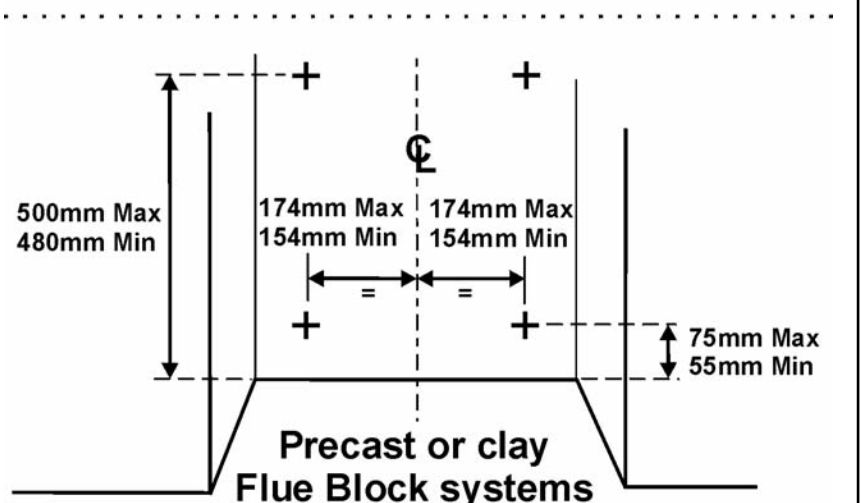
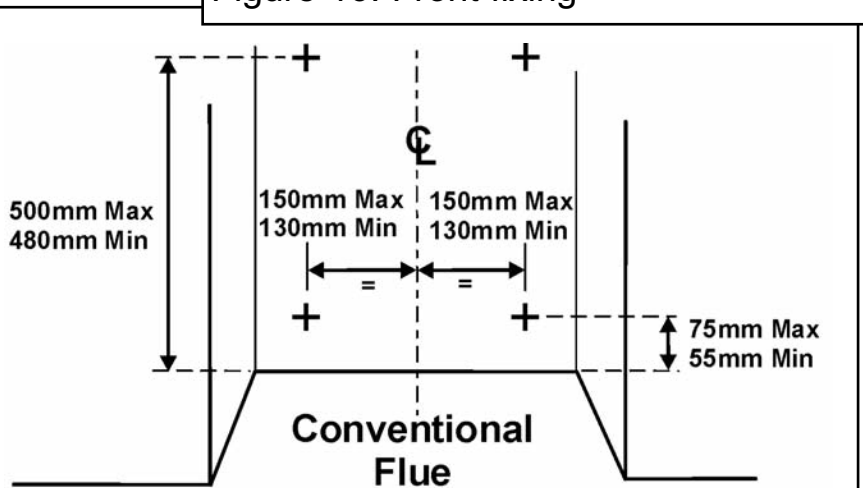


Figure 17. Eyebolt positions

INSTALLER GUIDE

holes should be drilled within the range of positions shown in figure 17 using a suitably sized masonry drill. The holes should be equidistant each side of the centre line of the fireplace to ensure that the appliance finishes centrally in the opening when tension is applied to the cables.

3. Insert a fibre / wooden wall plug into each hole. Use the fibre / wooden wall plugs supplied with this appliance - **Never use plastic plugs instead of the fibre / wooden wall plugs supplied.** Screw the eyebolts into the plugs. Make sure that the bolts are secure.

4. Place the hotbox unit close to the fireplace but allow sufficient access into the fireplace opening so that the cables can be threaded through the eyebolts and returned through the back of the hotbox. If a concealed connection is being used, insert the hotbox into the fireplace feeding the supply pipe through the pierced hole in the rear grommet.

5. The hotbox has two holes at each side of the spillage plate. Insert one end of each cable (one cable each side) from the back through the lower of the two holes and return the end through the upper of the holes (See figure 18). Give the cables a pull so that they grip against the hotbox flanges.

6. Thread the cables through the eyebolts. Return the cables through the holes near the bottom of the hotbox back panel (See figure 19) (**For precast or clay block flue systems return the cables through the slotted holes in the side of the hotbox.**)

7. Place the hotbox fully back into the fireplace opening so that it is sealed against the fireplace front surround.

8. Drill a hole into the fireplace floor through each of the two holes in the base of the hotbox using a suitably sized masonry drill (See figure 20).

9. Insert a fibre / wooden wall plug into each hole. Use the fibre / wooden wall plugs supplied with this appliance - **Never use plastic plugs instead of the fibre / wooden wall plugs supplied.** Fit a wood screw in each plug and tighten.

Always screw the base into position before applying tension to the cables. This will ensure a tight seal between the top of the hotbox and wall.

10. Fit a cable retainer over the bottom end of each cable.

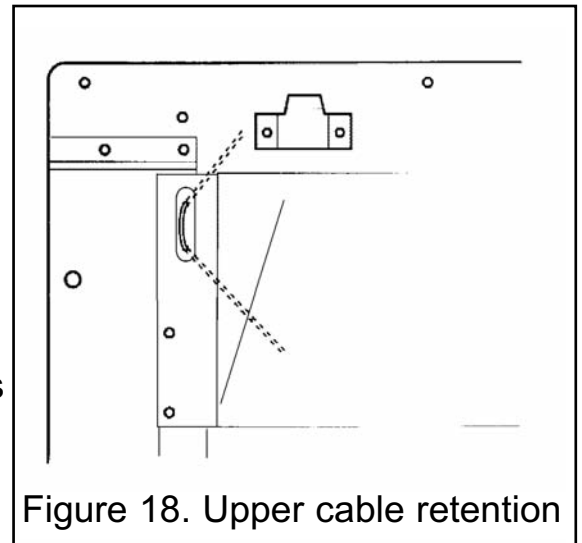


Figure 18. Upper cable retention

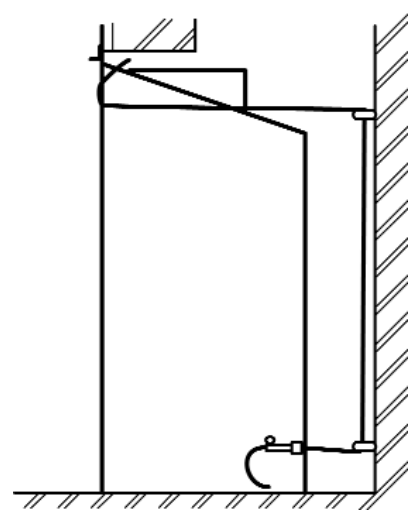


Figure 19. Cable route.

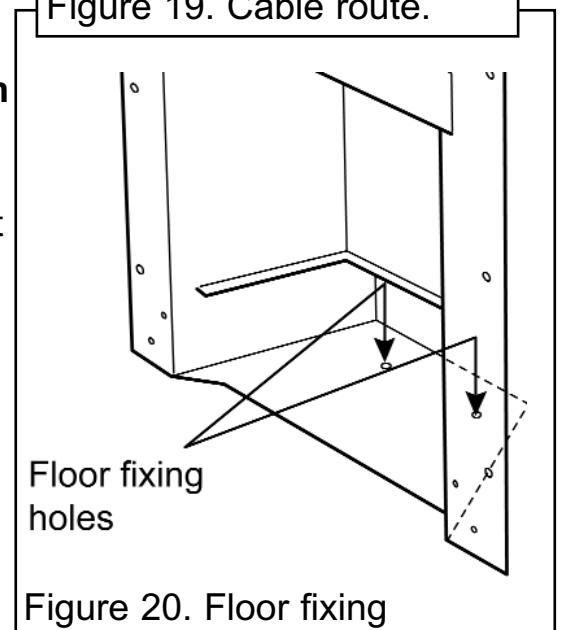


Figure 20. Floor fixing

INSTALLER GUIDE

11. Pull each cable taut. Push the cable retainers hard up against the back panel. The end of the cable adjuster will pass into the hole. Tighten the screws in the retainers so that they clamp the cables in position. Apply tension to the cables by turning the hexagonal adjusters by hand (See figure 21).

12. Inspect the installation of the hotbox against the fireplace surround. If the hotbox is aligned squarely and the sealing is satisfactory, fully tighten the cable retainers.

13. If the hotbox is not correctly aligned, release the tension on the cables by slackening the screws and turning the hexagonal adjusters fully anticlockwise. The hotbox should then automatically realign itself. Pull each cable taut again and push the cable retainers back against the back panel. Again, tighten the screws in the retainers and apply tension to the cables by turning the hexagonal adjusters clockwise as far as possible.

14. Feed the free length of the cables into the gap between the inner and outer back panels so that they are available to allow easy removal and refitting of the appliance during subsequent service calls. **Do not cut off the free lengths of cable.** On precast flue installations feed the cables into the small holes at the base of the side panels (See figure 21)

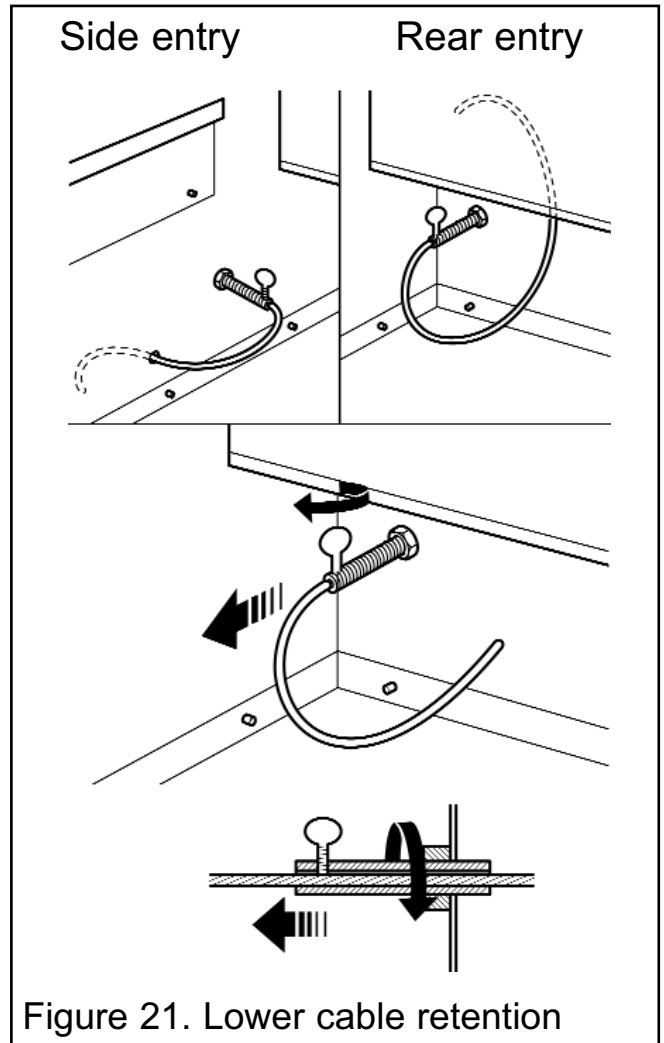


Figure 21. Lower cable retention

9.3 Sealing floor front - All installations.

Using the floor sealing tape supplied, seal the bottom of the hotbox to the fireplace and hearth floor (See figure 22).

Make sure that the whole length of the front edge of the hotbox is fully sealed.

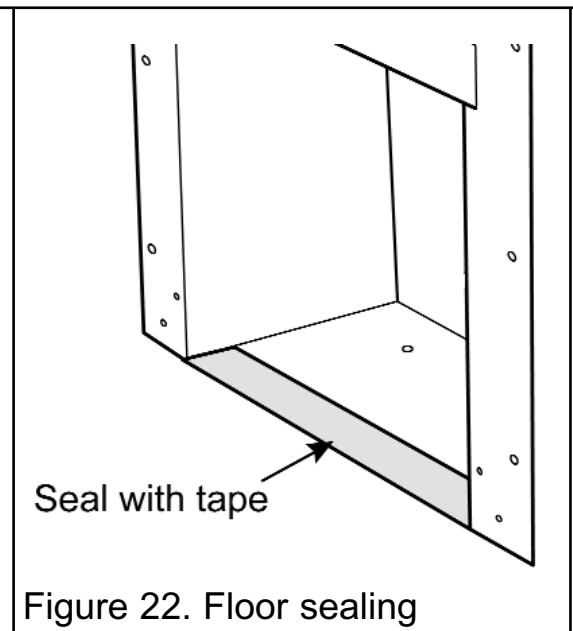


Figure 22. Floor sealing

INSTALLER GUIDE

10. BURNER & SUPPLY PIPE INSTALLATION

10.1 Burner and supply pipe installation.

1. Refit the burner unit to the hotbox with two screws.
2. Connect the supply line to the appliance.
3. Turn on the gas supply and pressure check the installation pipework for gas soundness. In the United Kingdom (GB) check in accordance with the current edition of BS 6891. In the Republic of Ireland check in accordance with the current edition of IS 813 "Domestic Gas Installations".

10.2 Fitting the batteries.

1. Slide the remote control receiver out of its retention housing (See figure 23). Remove the receiver top cover and fit the four 'AA' batteries as indicated inside the receiver base. Replace the receiver top cover. Slide the receiver back into its housing. The ultra-sonic sensor must face towards the left of the appliance.
2. Fit the PP3 battery to in the remote control handset. To do this slide the battery cover back.

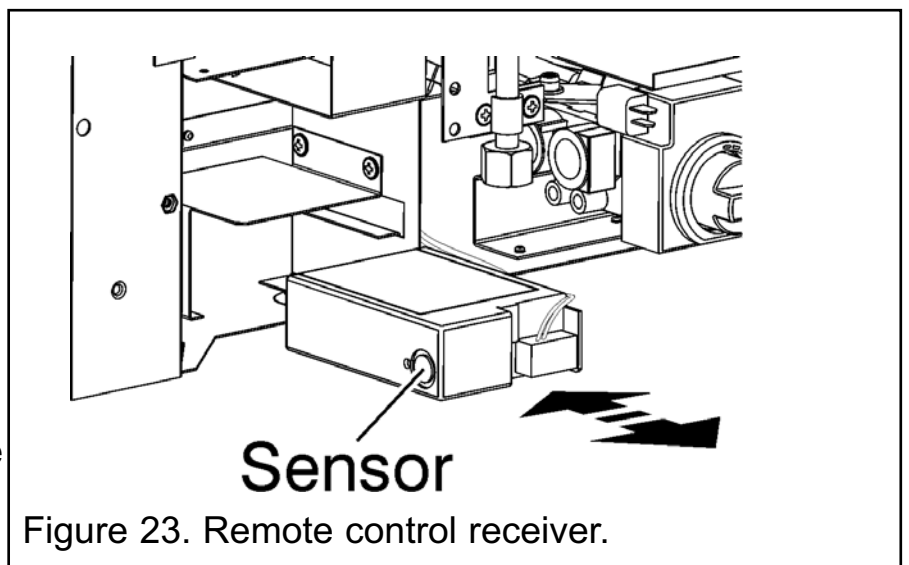


Figure 23. Remote control receiver.

10.3 Preliminary burner checks.

Some burner operations can be checked at this stage. Checking now will mean that less disassembly will be required if any problems are found. ***A full check should still be made, however, after final installation.***

INSTALLER GUIDE

10.4 Lighting the pilot.

Please note:- The fire must be lit manually.

1. Ensure that the pilot burner control knob is in the OFF position (1 in figure 24).

2. Depress the pilot burner control knob and turn slowly anti-clockwise to the ignition position (2 in figure 24) to activate the piezo ignition system. A 'click' will be heard and the pilot should light. If the pilot does not light immediately, repeat the above procedure, keeping the knob depressed for several seconds in order to purge any air from the system.

If after ten seconds, ignition has not occurred, turn the control knob back to the OFF position. Wait 30 seconds and then repeat the ignition procedure.

3. When the pilot is alight keep the knob depressed for ten seconds to allow the pilot flame to stabilise.

4. Release the knob. When the knob is released, the pilot should remain alight. If the pilot fails to remain alight, repeat the ignition procedure, this time keeping the knob depressed for a longer period of time.

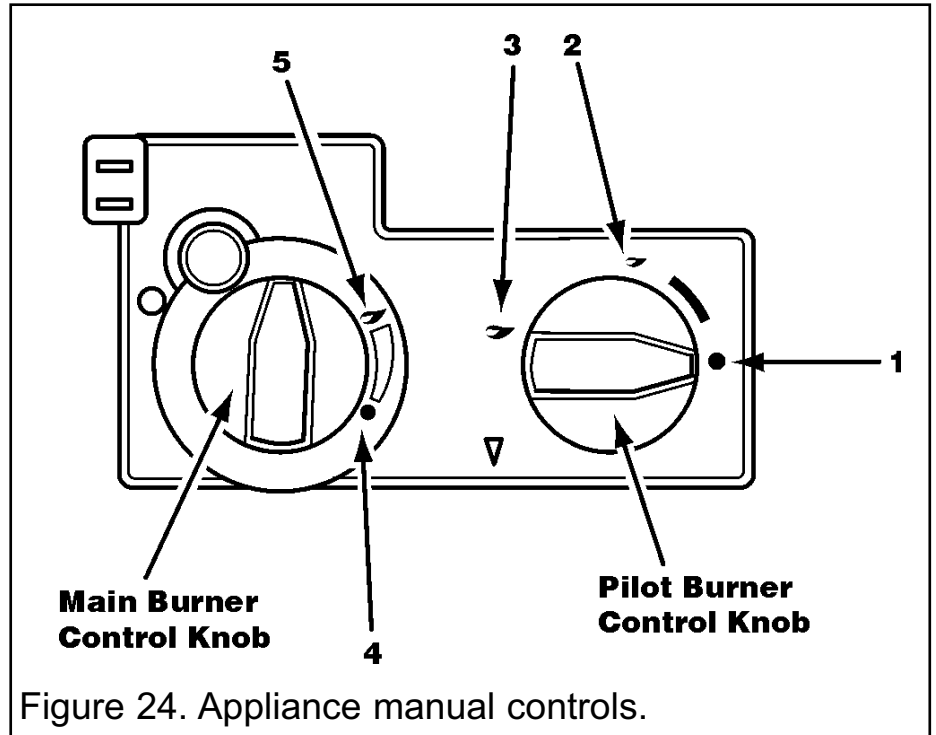


Figure 24. Appliance manual controls.

10.5 Checking the heat settings.

1. Once the pilot light is established, light the main burner by turning the pilot burner control knob anti-clockwise to the "main burner on" position (3 in figure 24), and by then turning the main burner control knob to the high position (5 in figure 24).

2. Check the full range of heat settings by turning the main burner control knob slowly between the high position and the low position (4 in figure 24).

10.6 To turn the fire back to pilot setting.

Turn the main burner control knob fully clockwise. Alternatively turn the pilot burner control knob clockwise to the ignition position (2). Refer to figure 24.

10.7 To turn the fire off.

Rotate the pilot/burner control knob clockwise to position 1, as shown in figure 24.

INSTALLER GUIDE

10.8 Using the remote control handset.

1. Keep the pilot burner at the "main burner on" position. Check the full range of main burner heat settings using the remote control handset. In order to vary the flame effect between High and Low positions, press, and keep depressed, either the High button, or the Low button as appropriate (See figure 25).

The handset operates on ultrasonic principles, and as such it is not necessary to point it directly at the fire.

2. Use the handset to switch to the pilot only setting by depressing the Low button until only the pilot flame remains alight.

3. In order to disable the handset, but still leave the pilot alight, turn the pilot burner control knob to the ignition position (2 in figure 24).

4. Turn the fire off by rotating the pilot burner control knob to the OFF position (1 in figure 24).

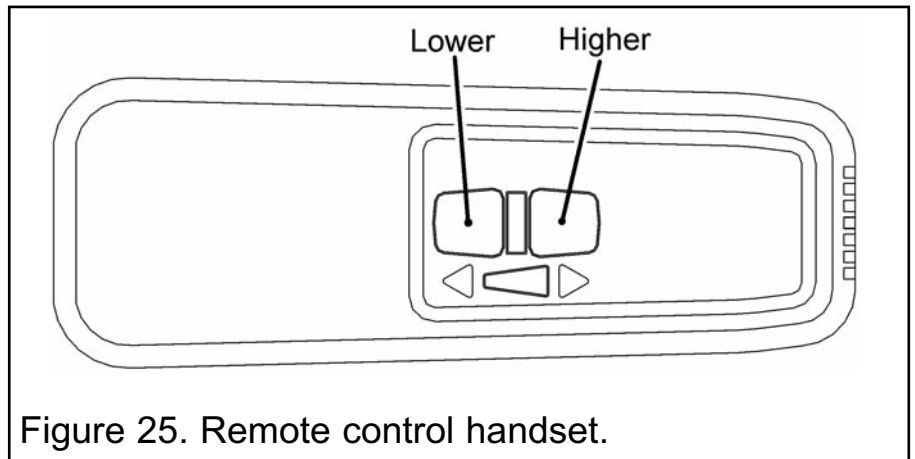


Figure 25. Remote control handset.

10.9 Inlet pressure check.

The appliance is pre-set to give the correct heat input at the inlet pressure shown in section 2 of this guide. No adjustment is necessary.

1. Check the inlet pressure by fitting a pressure gauge at the test point. The test point is on the inlet 'T' connector (See figure 26). Check the pressure with the appliance alight and set at maximum output.

2. After checking, turn off the appliance. Remove the pressure gauge and replace the test point sealing screw.

3. Relight the appliance. Turn to the maximum output position and test around the sealing screw for gas soundness with a suitable leak detection fluid.

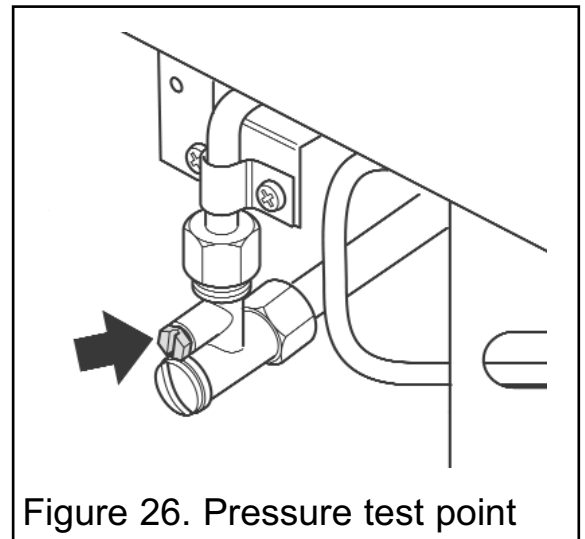


Figure 26. Pressure test point

INSTALLER GUIDE

11. CERAMIC WALLS INSTALLATION

1. Fit the ceramic rear wall inside the “L” bracket on the back face of the burner compartment. Push the ceramic wall flat against the back face of the burner compartment (See figure 27).

2. Fit the ceramic side walls against the side faces of the burner compartment. The bottom edges of the walls should rest in the ledges at the sides of the firebox. Slide them in from the front and ensure that they touch the rear wall. Be careful not to damage the edges of the side walls (See figure 28).

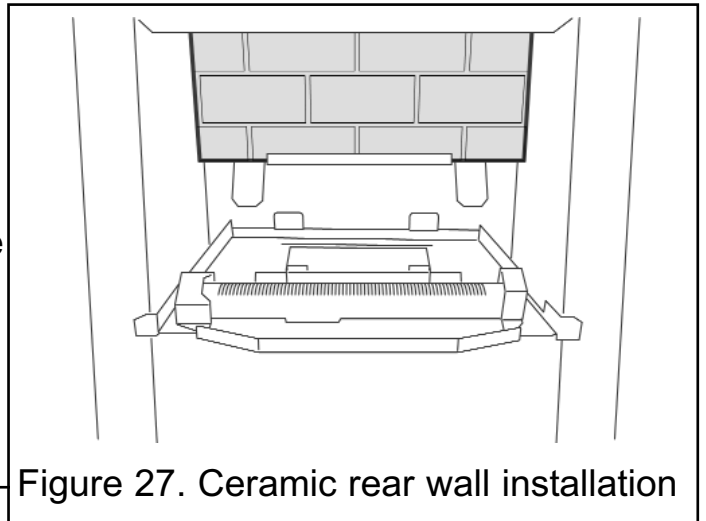


Figure 27. Ceramic rear wall installation

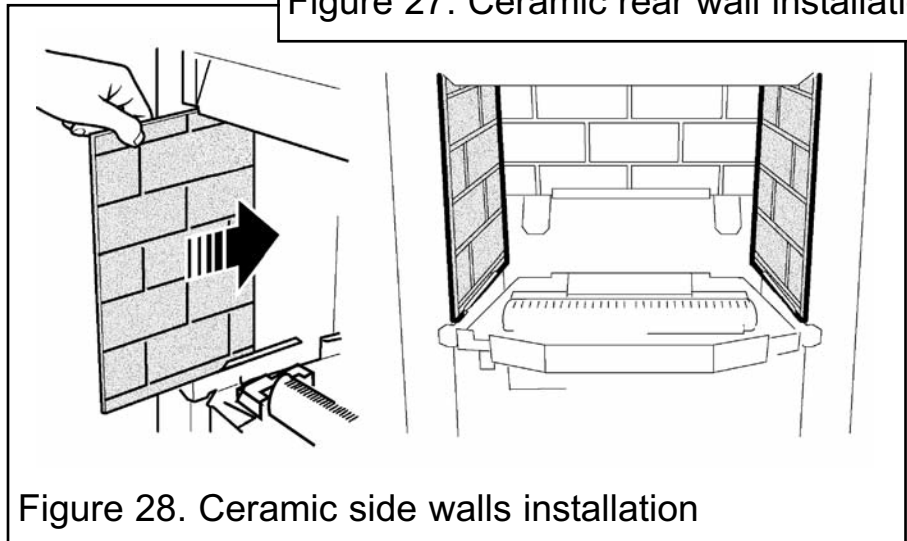


Figure 28. Ceramic side walls installation

12. FITTING THE FASCIA

Before fitting the fascia ensure that the information in the WARRANTY AND SERVICE section of the OWNER GUIDE are complete (See last pages of the OWNER guide).

1. Carefully lift the fascia. Place the fascia against the fireplace front surface so that the two retaining plates at the back of the fascia are directly above the two upper retaining brackets at the top of the hotbox. Lower the fascia unit making sure that the retaining plates locate fully into the brackets on the hotbox (See figure 29).

2. Secure the bottom of the fascia using the two screws supplied.

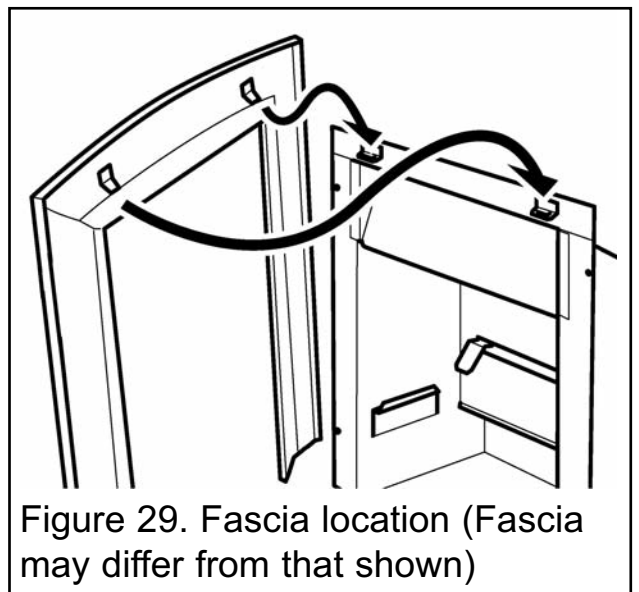


Figure 29. Fascia location (Fascia may differ from that shown)

INSTALLER GUIDE

13. FITTING THE CERAMIC FUEL EFFECT

The installer and owner guide for the ceramic fuel effect is supplied with the ceramic fuel effect. It is important that the fitting guide for the ceramic fuel effect be placed inside or attached to this guide and handed to the customer following completion of the 'Final review' section.

14. FIREFRONT INSTALLATION

1. There are two screws located on the upper rear face of the firefront casting. Locate the two screw heads through the keyhole slots at the inner sides of the fascia. If the screw heads do not project enough or project too far, the screws can be adjusted. Lower the firefront casting so that it rests on the hearth. See figure 30.
2. Hook the front cover casting onto the bottom of the firefront casting.

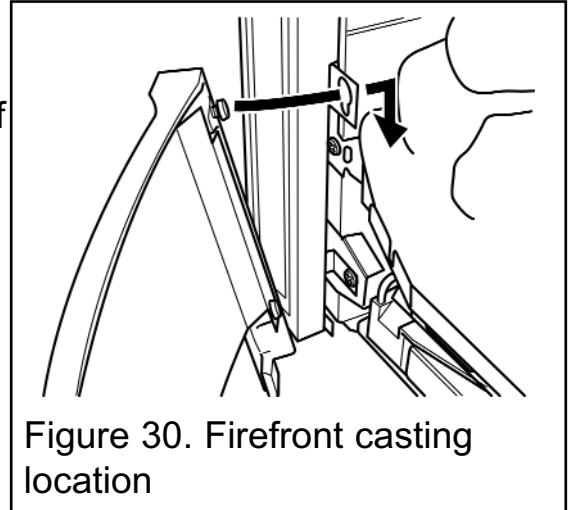


Figure 30. Firefront casting location

15. FULL OPERATING CHECKS

15.1 Check the control settings.

With the ceramic fuel effect in position the control operation must now be fully rechecked as in sections 10.4 to 10.8 . Make sure that the isolating valve at the 'T' connector is open.

- *When first turned on from cold, the flames will appear predominantly blue.*
- *When operating the fire for the first time, some vapours may be given off which could set off smoke alarms in the vicinity. These vapours are quite normal with new appliances. They are totally harmless and will disappear after a few hours use.*

15.2 Check for spillage.

A spillage check must be made before leaving the installed appliance with the customer. Make this with all the ceramic fuel effect pieces and the firefront in position

1. Close all doors and windows in the room containing the appliance.
2. Light the appliance and turn the control knob to the 'HIGH' position.
3. Leave the appliance on for five minutes.
4. The smoke match should be placed horizontally into the hotbox at the right hand

INSTALLER GUIDE

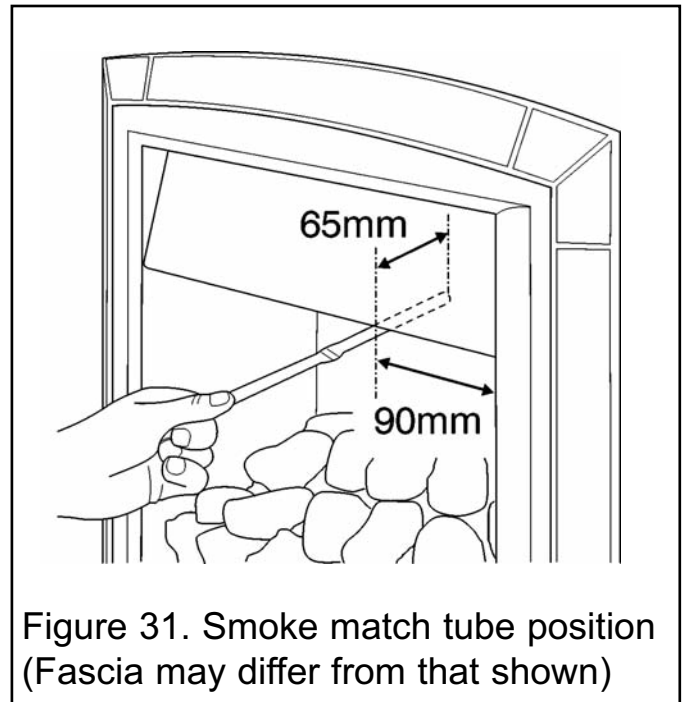
side (See figure 31).

The installation is satisfactory if the smoke is drawn into the appliance.

If the smoke is not drawn into the appliance leave the appliance alight at the maximum setting for a further ten minutes and then repeat the test. If the smoke is still not drawn into the appliance inspect the sealing to the fireplace surround. If the sealing is satisfactory but the appliance is installed with the flue restrictor (See section 8 point 5) remove the restrictor, reseal the appliance and retest. If smoke is still not drawn into the appliance **disconnect the appliance and seek expert advice.**

5. If the above test is satisfactory open all internal connecting doors, hatches, etc. in the room. Keep all doors and windows that open to the outside of the building closed. Recheck for spillage as above. If an extractor fan is installed in the same room as the appliance or a connecting room, check that spillage does not occur with the fan operating and all doors and other openings between the fan and the appliance open.

If the smoke is drawn into the appliance, continue with the installation. If the test is not satisfactory **disconnect the appliance and advise the customer of the cause of failure.**



15.3 Flame supervision and spillage monitoring system.

The pilot unit incorporates a system that will automatically shut off the gas supply if the pilot flame goes out or if there is insufficient oxygen due to spillage or lack of ventilation.

Check that the system operates properly as follows;

- Light the appliance. Set at the "HIGH" position and leave for one minute.
- Turn back to "OFF" to extinguish the pilot. **Note the time when the pilot goes out.** Listen for a snap sound at the gas tap. **Note the time when the sound is heard.** This sound is caused by an electromagnetic valve shutting off the gas supply through the tap. The valve is located in the body of the tap. The valve should operate **within 60 seconds of the pilot going out.** If the valve does not operate within this time limit do not allow the appliance to be used until the fault has been corrected. **This monitoring system must not be adjusted, bypassed or put out of operation.**

This monitoring system, or any of its parts, must only be exchanged using Valor Fires authorised parts.

INSTALLER GUIDE

16. FINAL REVIEW

- 1. COMPLETE THE INFORMATION IN THE WARRANTY AND SERVICE SECTION OF THE OWNER GUIDE (See last pages of the OWNER guide).**
- If a gap is visible between the inner sides of the fascia and the ceramic side walls, gently slide the walls forward.
- Visually inspect the appliance. Clean off any marks incurred during installation.
- Advise the customer how to operate the appliance. Point out that lighting instruction details are on the metal plate attached to the burner at the bottom of the appliance. Explain to the customer that the appliance has a flame failure & spillage monitoring system. Point out the explanation of this system shown in the owner guide under "Operating the fire". Advise that if the fire goes out for any reason, wait at least three minutes before relighting. Stress that if the monitoring system repeatedly shuts off the fire, the appliance should be switched off and a specialist should be consulted.
- Advise the customer that they should read their owner guide before operating the fire and always follow the advice in the section headed "Cleaning your fire".
Stress that no extra ceramic fuel effect pieces must be added over and above those supplied with the appliance and that any replacements must only be the authorised spares. Warn that ignoring this advice could cause incomplete clearance of the products of combustion with consequent health hazards.
- Advise the customer that the appliance will operate to its maximum potential if the flue is primed during the first 20 – 30 minutes of use. To do this, simply turn the control knob to its highest setting. This will also burn off any carbon deposits that may have formed during previous use.
If using the appliance for long periods it is beneficial to change between settings. This will also help to remove any carbon deposits that may form during use.
- Recommend that the appliance should be serviced by a competent person at least annually.
- If the appliance is in premises in the United Kingdom occupied by a tenant, point out that by law a landlord must have any gas appliance, flue and pipework which is situated in a tenant's premises checked for safety at least every 12 months.
- Advise that the fire may give off a slight odour while new. This is quite normal and it will disappear after a short period of use.
- 10. Inform the customer that the Serial number for the appliance is located on the data label located behind the lower front casting and attached underneath the burner module.**
- Hand the literature pack with this guide to the customer.

17. SERVICING & PARTS REPLACEMENT

- Always turn off the gas supply before commencing any servicing (The appliance inlet 'T' connector incorporates an isolating valve).
- It is recommended that, at least once a year, the appliance is disconnected and the fireplace opening checked and cleared of any debris.
- This product uses fuel effect pieces and burner compartment walls containing Refractory Ceramic Fibres (RCF), which are man-made vitreous silicate fibres. Excessive exposure to these materials may cause irritation to eyes, skin and respiratory tract. Consequently, it is important to take care when handling these articles to ensure that the release of dust is kept to a minimum. To ensure that the release of fibres from these RCF articles is kept to a minimum, during installation and servicing we recommend that you use a HEPA filtered vacuum to remove any dust and soot accumulated in and around the fire before and after working on the fire. When replacing these articles we recommend that the replaced items are not broken up, but are sealed within a heavy duty polythene bag, clearly labelled as RCF waste. RCF waste is classed as a stable, non-reactive hazardous waste and may be disposed at a landfill licensed to accept such waste. Protective clothing is not required when handling these articles, but we recommend you follow the normal hygiene rules of not smoking, eating or drinking in the work area and always wash your hands before eating or drinking.
- This appliance does not contain any component manufactured from asbestos or asbestos related products.
- Check that the appliance is clean and that soot or debris is not blocking the gaps between the ceramic fuel effect pieces causing an imperfect flame.
- Check that soot or debris is not impairing the electrode spark or pilot burner.
- Check that soot or debris is not blocking any of the slots in the main burner.
- After servicing, make sure that the ceramic walls are replaced correctly as described in this guide and the ceramic fuel effect pieces are replaced correctly as described in the installer and owner guide supplied with the ceramic fuel effect. The ceramic fuel effect guide may have been placed inside or attached to this guide.
- Always test for gas soundness and spillage after servicing the appliance.

INSTALLER GUIDE

17.1 Checking the aeration setting of the burner.

(For LPG models refer to the conversion guide).

1. The aeration shutter is factory set and should not require adjustment. If the shutter is not as shown in figure 32 and requires adjustment, loosen the two aeration shutter screws, slide the aeration shutter to the position shown in figure 32 and tighten the fixing screws.

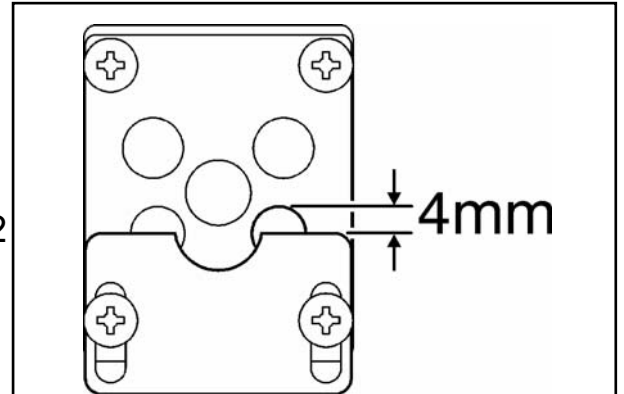


Figure 32. Aeration shutter setting

17.2 To remove the Knightsbridge fascia.

1. Remove the bottom front cover and the fire front casting.

2. Remove the two screws securing the bottom of the fascia to the sides of the hotbox.

3. Carefully lift the fascia upward to clear the upper retaining brackets on the hotbox - (See figure 33). Pull the fascia clear and place carefully aside.

4. Refit in the reverse order. Make sure that the fascia is properly located over the upper retaining brackets.

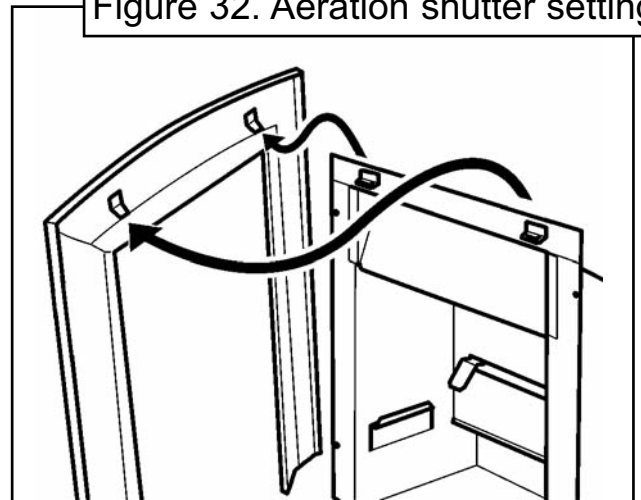


Figure 33. Front fascia removal

17.3 To remove the complete burner unit.

1. Remove the lower firefront / firefront casting and the fascia (See section 17.2).

2. Remove the ceramic fuel effect.

3. Support the inlet 'T' connector to avoid straining the pipework and disconnect the appliance from the 'T' connector.

4. Detach the burner unit from the hotbox by removing two screws (See figure 34).

5. Replace in the reverse order.

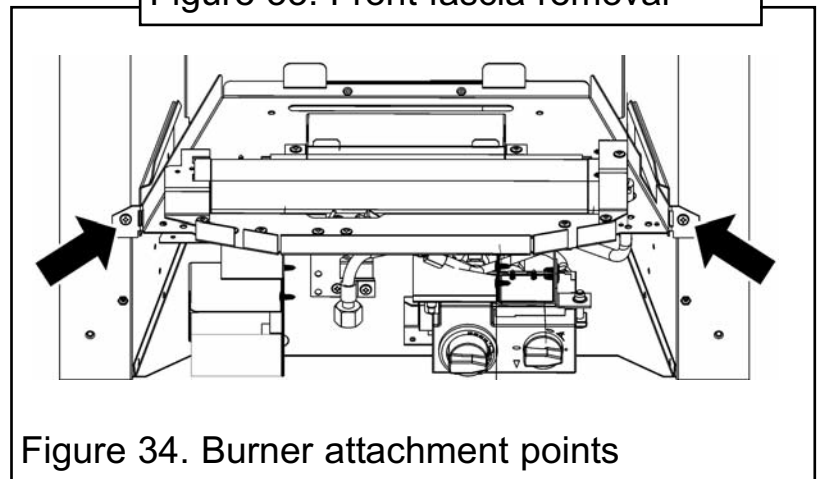


Figure 34. Burner attachment points

INSTALLER GUIDE

17.4 To remove the pilot unit.

1. Remove the burner unit (See section 17.3).
2. Unscrew and remove the two screws from the gas valve shield (See figure 35). Place the shield to one side.
3. Unscrew and remove the three screws securing the remote control receiver bracket to the underside of the burner tray (See figure 36).
4. Detach the pilot pipe from the pilot unit.
5. Detach the thermocouple from the gas valve.
6. Detach the electrode lead from the underside of the electrode tab. Do this by holding the lead as close to the electrode as possible. This will limit the possibility of damaging the lead connection.
7. Remove the two screws securing the pilot unit (See figure 37).
8. Refit in the reverse order.

Note: The pilot unit is an atmosphere sensing device. It must be replaced as a whole assembly. Its individual components are not separately replaceable.

17.5 To remove the gas valve.

(See figure 38).

1. Remove the complete burner module as in section 17.3
2. Remove the electrode lead at the pilot. Do this by holding the lead as close to the electrode as possible. This will limit the possibility of damaging the lead connection.
3. Unscrew the thermocouple at the rear of the gas valve.
4. Remove the two motor lead connectors from the front of the valve.
5. Undo the inlet, outlet and pilot nuts on the gas valve (See figure 38).
6. Remove the two mounting screws on the underside of the gas valve (See figure 38).
7. Remove the valve by sliding it forward.
8. Replace in reverse order. The motor lead connectors are two different sizes. They

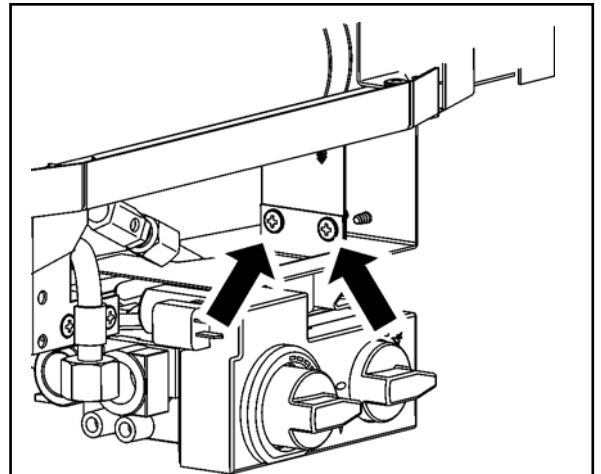


Figure 35. Gas valve shield removal.

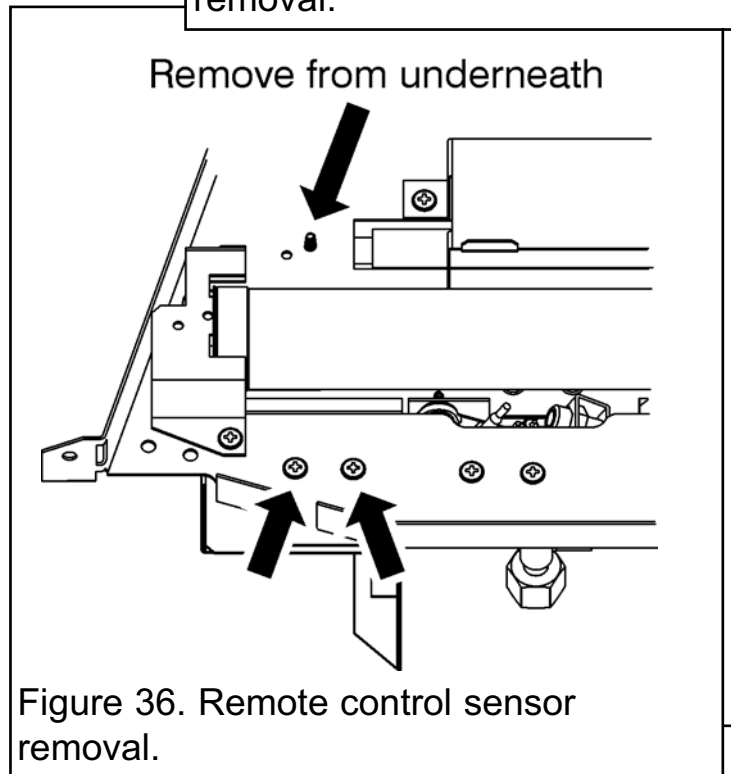


Figure 36. Remote control sensor removal.

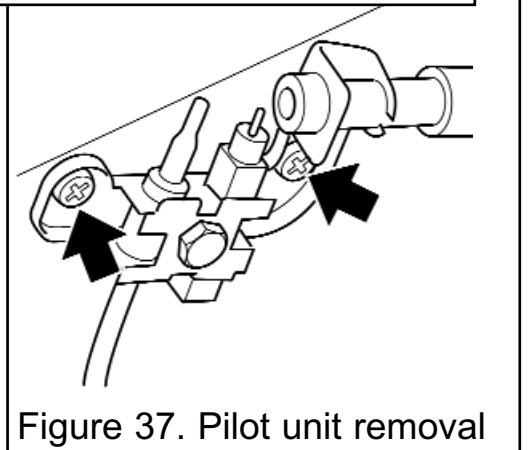


Figure 37. Pilot unit removal

INSTALLER GUIDE

will only fit to the correct motor terminals.

17.6 To replace the burner.

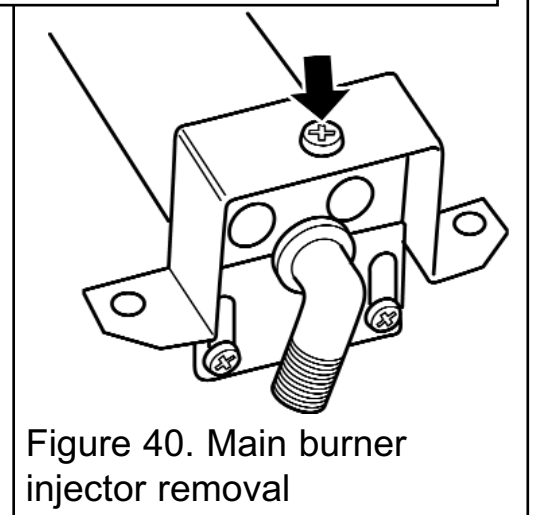
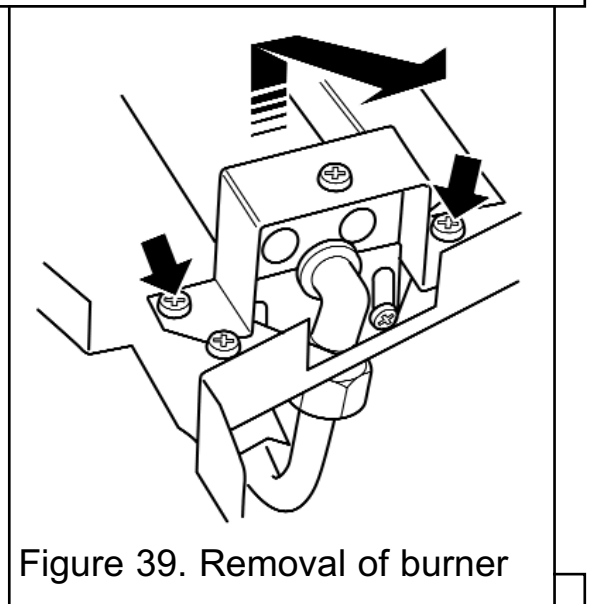
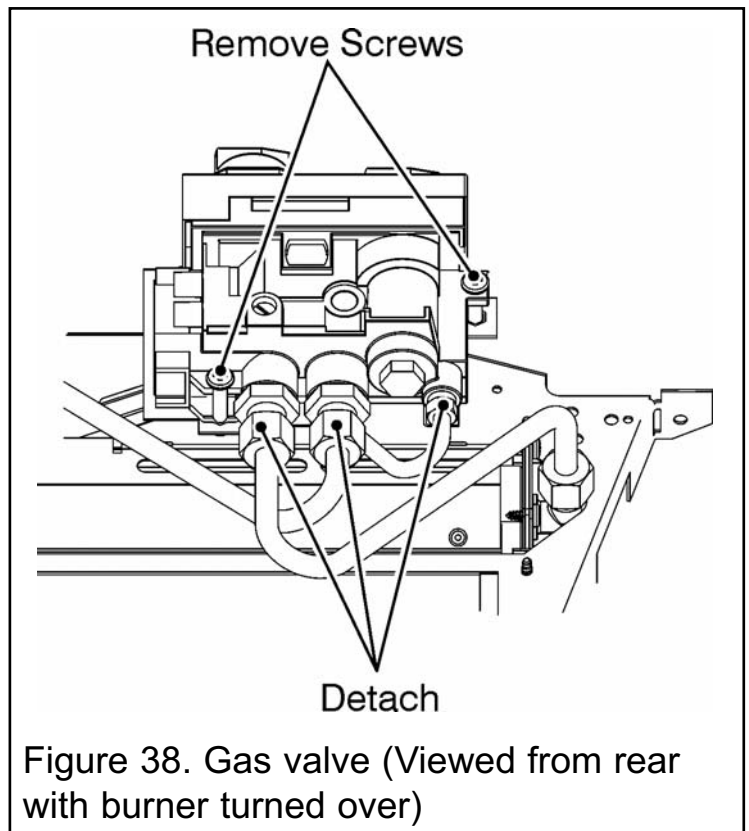
1. Remove the burner unit (See section 17.3).
2. Support the elbow injector and unscrew the injector nut.
3. Remove the two screws from the burner clamping plate (See figure 39)
4. Lift the right hand side of the burner, slide it to the right and lift clear
5. Refit in reverse order.

17.7 To remove the main burner injector.

1. Remove the burner (See section 17.6).
2. Remove the burner clamping screw (See figure 40)
3. Unscrew the injector from the burner
4. Refit in the reverse order.

17.8 To remove the appliance from the fireplace.

1. Remove the burner unit - See section 17.3.
2. If the fire retention is as method 1 (See section 9.1 of installation instructions), remove the screws. If the fire retention is as method 2 (See section 9.2 of this guide), slacken the hexagonal adjusters on the cable retainers and unscrew the thumb screw to release the cables.
3. Refit as described in the relevant installation sections. Make sure gas soundness, sealing, spillage test and performance are satisfactory.



OWNER GUIDE

FOR WARRANTY AND SERVICE INFORMATION
SEE PAGES 47 TO 51

OWNER GUIDE

LIST OF CONTENTS

<u>Section</u>	<u>Page</u>
SAFETY	40
GAS CONSUMPTION	41
APPLIANCE DIMENSIONS	42
OPERATING YOUR FIRE	43
The Oxysafe flame sensing & flue blockage safety system.	43
Lighting the pilot.	43
Heat settings.	44
To turn the fire back to pilot setting.	44
To turn the fire off.	44
Using the remote control handset.	44
CLEANING YOUR FIRE	45
Metal parts.	45
Burner.	45
Ceramic fuel effect pieces and burner compartment walls.	45
CERAMIC FUEL EFFECT REFITTING	46
MAINTENANCE	46
Regular maintenance.	46
Changing the batteries in the remote control receiver.	46
Changing the battery in the remote control handset.	47
WARRANTY AND SERVICE	47

This gas fire is designed to meet the most stringent quality, performance and safety requirements to provide you with many years' trouble-free service.

This guide aims to improve your understanding and appreciation of your gas fire by providing simple and informative instructions to ensure that you benefit from the excellent performance and features it has to offer.

OWNER GUIDE

SAFETY

IF YOU SMELL GAS

- **DON'T SMOKE.**
- **EXTINGUISH ALL NAKED FLAMES.**
- **DON'T TURN ELECTRICAL SWITCHES ON OR OFF.**
- **TURN OFF THE GAS SUPPLY AT THE METER OR TANK AS APPROPRIATE.**
- **OPEN DOORS AND WINDOWS TO GET RID OF THE GAS.**
- **IMMEDIATELY CALL THE GAS EMERGENCY SERVICE FROM A NEIGHBOURS PHONE - SEE YOUR LOCAL TELEPHONE DIRECTORY.**

Do have the fire installed by a competent person. In the United Kingdom, installation must be in accordance with the latest edition of the Gas Safety (installation & use) Regulations. In the Republic of Ireland, installation must be in accordance with all national and local regulations in force.

Do have the chimney swept prior to installation if it was previously used for solid fuel.
Do have the fire installed in accordance with the installer guide.

Do provide a minimum clearance as shown in figure 1 above the base of the fireplace opening to any shelf made of wood or other combustible material.

• *For a shelf up to 150mm deep: Minimum height = 760mm.*

• *For a shelf deeper than 150mm: 760mm + 12.5mm for every 25mm depth over 150mm (See Figure 1).*

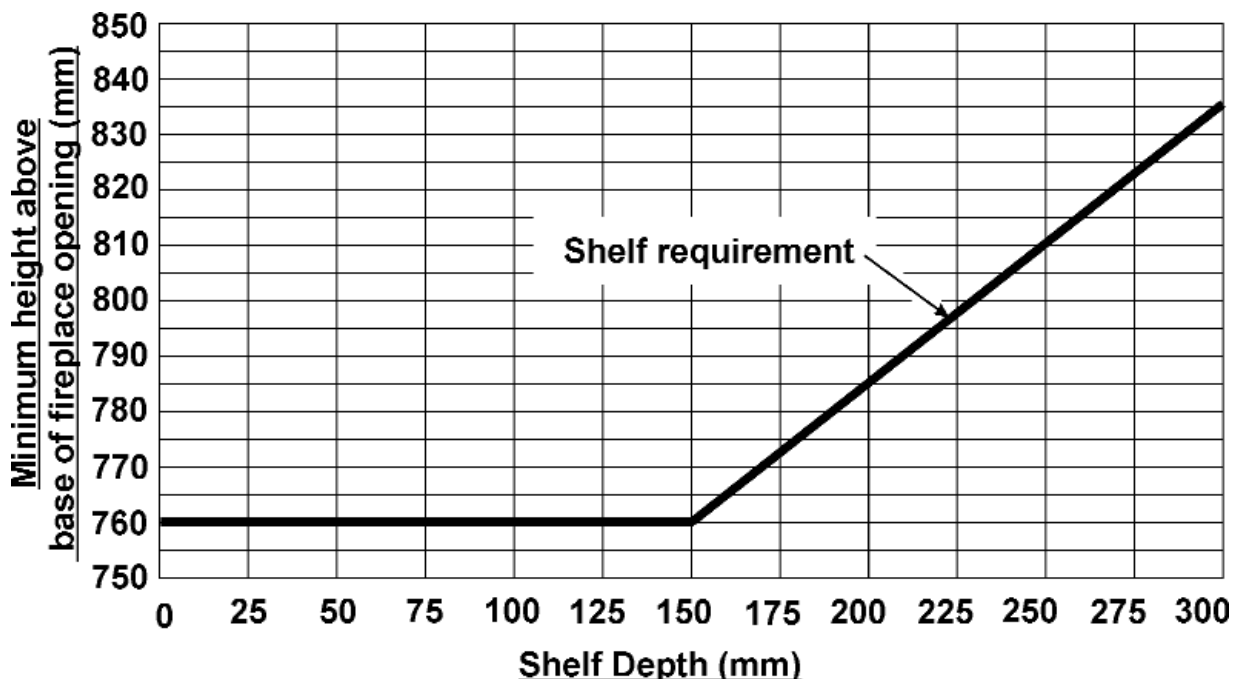


Figure 1. Combustible shelf clearances.

Do provide a suitable guard that complies with BS 8423 for the protection of young children, the elderly, the infirm and pet animals. (Although this fire conforms to all the

OWNER GUIDE

applicable standards, it is a heating appliance and certain parts of its surface will become hot).

Do wait three minutes before attempting to relight if the fire is switched off or the flames are extinguished for any reason. (Your fire is fitted with a safety device that will automatically shut off the gas supply to the fire if, for any reason, the flames go out).

Do get advice about the suitability of any wall covering near your fire. Soft wall coverings (e.g. embossed vinyl, etc.) which have a raised pattern are easily affected by heat. They may, therefore, scorch or become discoloured when close to a heating appliance. Please bear this in mind whenever you are considering redecorating.

Do provide a minimum side clearance as detailed in figure 2. Please bear this in mind if ever you are considering altering the room.

Don't hang clothing, towels or any other fabrics over the fire.

Don't add any extra fuel effect pieces above the number stated in the guide supplied with the ceramics. This could cause a safety hazard.

Don't put paper or any other material on the fire.

Don't place any combustible material (rugs, carpet, plastic tiles, etc.) on the hearth.

Don't attempt to clean or service the fire until it has been switched off and allowed to cool completely.

GAS CONSUMPTION

Model 742

Has a maximum natural gas input of 6.8kW (Gross)

Has a maximum natural gas output of 3.5kW

Has a minimum natural gas input of 1.55kW (Gross)

Has a minimum natural gas output of 0.64kW

Model 742 when converted using kit number 0595211

Has a maximum propane gas input of 6.7kW (Gross)

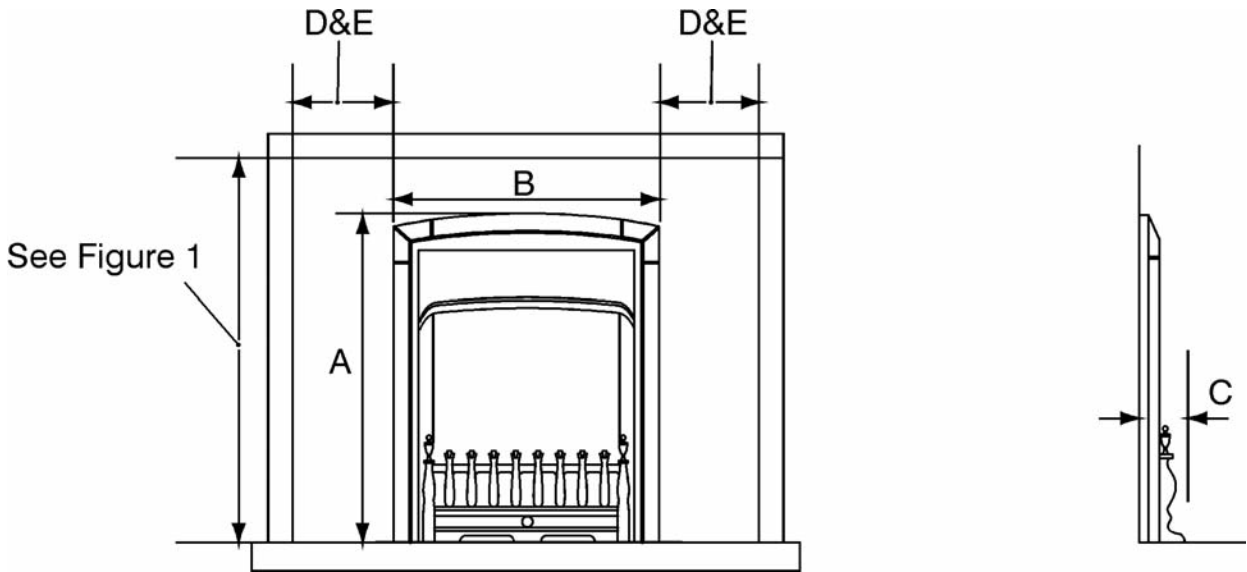
Has a maximum propane gas output of 3.7kW

Has a minimum propane gas input of 3.2kW (Gross)

Has a minimum propane gas output of 1.7kW

OWNER GUIDE

APPLIANCE DIMENSIONS



	Key				
	A	B	C	D	E
Model	Height (mm)	Width (mm)	Depth into room (mm)	Minimum mandatory clearance to combustible surfaces projecting beyond the front of appliance (mm).	Recommended clearance to non-combustible surfaces for access purposes (mm).
Knightsbridge	599	492	65	125	10

Figure 2. Appliance dimensions and clearances (Dimensions are subject to manufacturing deviation. Fascia may differ from that shown).

OWNER GUIDE

OPERATING YOUR FIRE

PLEASE NOTE

When operating your fire for the first time, some vapours may be given off which may cause a slight odour and could possibly set off any smoke alarms in the immediate vicinity. These vapours are quite normal with new appliances. They are totally harmless and will disappear after a few hours use.

The Oxysafe flame sensing & flue blockage safety system.

For your safety, this appliance is fitted with a flue blockage safety device which will shut down the appliance in the event of abnormal flue conditions. ***This device is NOT a substitute for an independently mounted Carbon Monoxide detector.***

The device will also automatically shut off the gas supply to the fire if the pilot flame goes out due to lack of oxygen or for any other reason.

If this device starts to repeatedly shut off the gas, get expert advice.

This device incorporates a probe which senses that the heat from the pilot flame is correct. If this probe is cool, the device will prevent any gas flow unless the control knob is held in at the ignition position.

If, for any reason, the flames go out when the fire is hot or if the fire is turned off when hot, always ***wait at least three minutes before attempting to relight.***

This fire may be controlled manually, by use of the controls mounted on the appliance. The flame settings may also be controlled by means of the remote control handset.

Lighting the pilot.

Please note: The fire must be lit manually.

1. Ensure that the pilot burner control knob is in the OFF position (Number 1 in figure 3).
2. Depress the pilot burner control knob and turn slowly anti-clockwise to the ignition position (Number 2 in figure 3) to activate the piezo ignition system. A 'click' will be heard and the pilot should light. Observe if it is alight by looking through the slots to the left hand end of the front coals. If the pilot does not light immediately, repeat the above procedure, keeping the knob depressed for several seconds

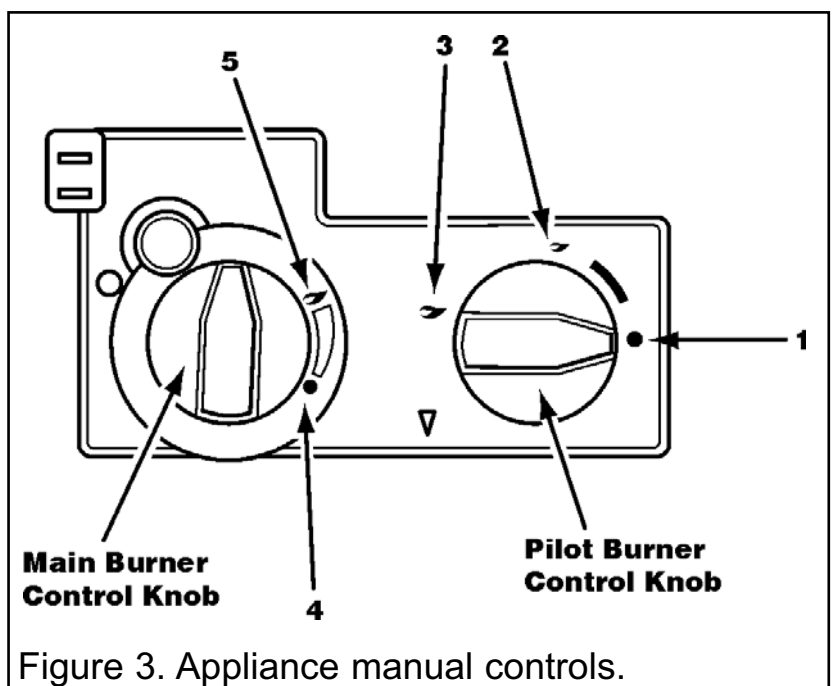


Figure 3. Appliance manual controls.

OWNER GUIDE

in order to purge any air from the system.

If after ten seconds, ignition has not occurred, turn the control knob back to the OFF position. Wait 30 seconds and then repeat the ignition procedure.

3. When the pilot is alight keep the knob depressed for ten seconds to allow the pilot flame to stabilise.

4. Release the knob. When the knob is released, the pilot should remain alight. If the pilot fails to remain alight, repeat the ignition procedure, this time keeping the knob depressed for a longer period of time.

Heat settings.

1. Once the pilot light is established, light the main burner by turning the pilot burner control knob anti-clockwise to the "main burner on" position (Number 3 in figure 3), and by then turning the main burner control knob to the high position (Number 5 in figure 3).

2. Check the full range of heat settings by turning the main burner control knob slowly between the high position and the low position (Number 4 in figure 3).

To turn the fire back to pilot setting.

Turn the main burner control knob fully clockwise. Alternatively turn the pilot burner control knob clockwise to the ignition position (2). Refer to figure 3.

To turn the fire off.

Rotate the pilot/burner control knob clockwise to position 1, as shown in figure 3.

Using the remote control handset.

1. Keep the pilot burner at the "main burner on" position. Check the full range of main burner heat settings using the remote control handset. In order to vary the flame effect between High and Low positions, press, and keep depressed, either the High button, or the Low button as appropriate (See figure 4).

The handset operates on ultrasonic principles, and as such it is not necessary to point it directly at the fire.

2. Use the handset to switch to the pilot only setting by depressing the Low button until only the pilot flame remains alight.

3. In order to disable the handset, but still leave the pilot alight, turn the pilot burner control knob to the ignition position (Number 2 in figure 3).

4. Turn the fire off by rotating the pilot burner control knob to the OFF position (Number 1 in figure 3).

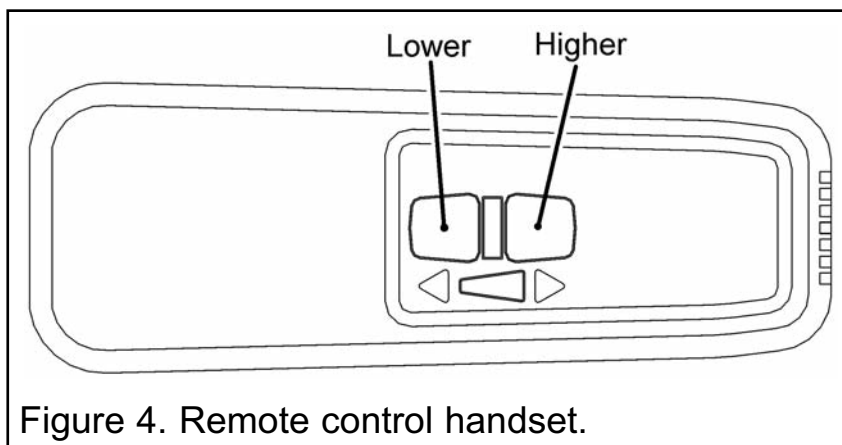


Figure 4. Remote control handset.

OWNER GUIDE

CLEANING YOUR FIRE

To maintain the high performance and quality finish of your fire please follow these guidelines:

Before attempting to clean the fire, please remember to turn off the fire and wait for the appliance to cool completely. The fire will retain heat for some time before cleaning can begin.

If any pieces of debris are found in the firebox, have the chimney inspected before further use.

Metal parts.

- Clean the metal parts with a slightly damp cloth and then dry.
- Do not use abrasive cleaners as these will scratch the fire surface.
- Clean the metal parts with a slightly damp cloth and then dry. If this does not work apply a very small amount of 'baby oil' to a lint free, non-abrasive cloth and wipe over the surface. Use a clean cloth to wipe off the oil.

Ceramic fuel effect pieces and burner compartment walls.

This product uses fuel effect pieces and burner compartment walls containing Refractory Ceramic Fibres (RCF), which are man-made vitreous silicate fibres. Excessive exposure to this material may cause irritation to eyes, skin and respiratory tract. Consequently, it is important to take care when handling these articles to ensure that the release of dust is kept to a minimum.

- Light coatings of soot will usually be burnt off during the normal operation of the fire. Should any soot accumulation become excessive, the fuel effect pieces and walls should be removed from the fire for cleaning.
- Cleaning should be carried out in a well ventilated area or in the open air by gently brushing with the pieces held away from your face so that you avoid inhaling the dust.
- We do not recommend the use of a normal domestic vacuum cleaner which may blow dust back into the air.
- We suggest that you remove the ceramic fuel effect pieces in the reverse order to that shown in the fuel bed refitting instructions.

Burner.

Remove any deposits of soot or other foreign matter from the surface of the burner with a dry soft brush. Be careful not to brush any particles into the open slots.

Remove any particles from the slots with a vacuum cleaner fitted with a soft brush attachment. **Do not poke wire, etc. into the slots in the burner.**

OWNER GUIDE

CERAMIC FUEL EFFECT REFITTING

The installer and owner guide for the ceramic fuel effect is separate from this guide. The installer may have attached it to this guide or placed it inside. It is important that the installer and owner guide for the ceramic fuel effect is followed correctly. If replacing the ceramic fuel effect, where a new guide is supplied, follow the installer and owner guide supplied with the replacement fuel effect. Keep the replacement installer and owner guide with this owner guide for future reference.

MAINTENANCE

Regular maintenance.

In order to achieve and maintain high levels of personal safety and performance efficiency, it is essential that the opening at the back of the fire and the flue are kept clear of any form of obstruction. It is possible that deposits of mortar or soot could fall and accumulate causing the flue to be blocked or restricted and so preventing proper clearance of dangerous exhaust fumes.

In the United Kingdom it is the law that a landlord must have any gas appliance, flue and pipework which is situated in a tenant's premises checked for safety at least every twelve months by a competent person (In the UK a GAS SAFE REGISTER engineer, Outside of the UK a CORGI or GAS SAFE REGISTER engineer).

We recommend that all gas appliances and their flues, wherever situated, are checked annually.

- **When fitting replacement parts it is important that only approved parts are used for maximum safety.**

Changing the batteries in the remote control receiver.

1. Remove the lower firefront / firefront casting.
2. Slide the remote control receiver out of its retention housing (See figure 5).
3. Remove the receiver top cover.
4. Remove and discard the batteries from the receiver.
5. Fit four new AA batteries as indicated inside the receiver base. We recommend the use of alkaline batteries.
6. Replace the receiver top cover. Slide the receiver back into its housing. The ultra-sonic sensor must face towards the left of the appliance.

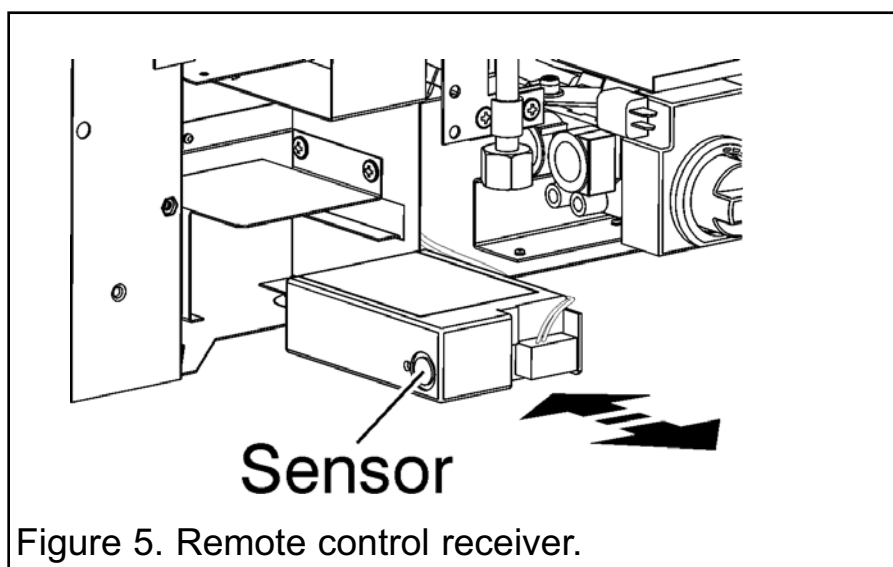


Figure 5. Remote control receiver.

OWNER GUIDE

Changing the battery in the remote control handset.

1. Remove the rear cover from the handset.
2. Remove and discard the battery from the handset.
3. Fit a new PP3 battery as indicated inside to in the remote control handset. We recommend the use of alkaline batteries.
4. Replace the rear cover on the rear of the handset.

WARRANTY AND SERVICE

Standard Warranty Terms & Conditions

The warranty is for 12 months subject to contract.

In the United Kingdom servicing can be carried out either by a **heateam** service engineer or a **GAS SAFE REGISTER** engineer. Outside of the United Kingdom servicing can be carried out either by a **CORGI** or **GAS SAFE REGISTER** engineer. You must register your fire with **heateam**, the service division of Baxi Heating UK Limited, either by completing and returning the registration card or calling our free telephone registration line on **0800 032 72 44**.

It is also a requirement of the warranty that the fire has an annual service (every 12 months) in accordance with the installation and servicing instructions, performed by a **GAS SAFE REGISTER** engineer, (**CORGI** or **GAS SAFE REGISTER** outside of UK), please call on **0844 8711 525**.

Our promise to you

If you experience a fault with your new fire, we aim to provide a safe and high quality repair service supported by our dedicated national network of highly skilled engineers. If your installer can't resolve the problem for you, we will do everything we can to get an engineer out to you as quickly as possible. Nothing in this warranty will affect your statutory rights.

What you need to do if you experience a problem with the operation of the fire:

- You should always contact your installer first, because the cause of the fault may not be related to the fire.
- If your installer confirms that the fault is with the fire and they can't repair it, our friendly customer service team is on hand to help.
- Simply call our service division **heateam** on **0844 8711 565** to book an engineer visit or for any general advice that you may need. Our contact centre is open Monday to Friday 8am – 6pm, weekends and Bank Holidays 8.30am – 2pm, excluding Christmas Day and New Years day.

OWNER GUIDE

When calling **heateam**, it would be helpful if you could have the following information to hand:-

1. Fire serial number and fascia code (Located on the information label - See figure 6 on page 51)*.
2. Date of installation*.
3. Your installer name and address details*.
4. Fire make and model number*.
5. Proof of purchase (if you do not have the fire serial number).

***Note: Details 1 – 4 should be recorded on pages 50 & 51 at the end of this guide.**

What this warranty covers

Free of charge repair or replacement of components found to be of faulty manufacture.

Free of charge replacement of the complete unit providing the failure is related to a manufacturing fault that cannot be repaired or is uneconomic to repair.

What this warranty does not cover

Repairs to fires which haven't been installed and commissioned properly and as set out in the installation instructions.

Faults caused by inadequate supply of gas or electricity (where applicable).

Reimbursement of any third party repair or replacement costs that we haven't been told about or agreed with you in advance.

Compensation or consequential losses (e.g. loss of earnings, business losses, stress and inconvenience) arising from a production breakdown, including repair delays caused by factors outside our reasonable control.

OWNER GUIDE

OWNER GUIDE

To be completed by Installer:

Installer Details (Block Capitals)

Installer Name	
Gas Safe Register or Corgi Registration Number.	
Company Name.	
Company Address	
Company Telephone number	
Company Fax number	

OWNER GUIDE

Model

Serial number (Can be found on the information label - See figure 6)

A LABEL CONTAINING THE SERIAL NUMBER MAY HAVE BEEN PLACED INSIDE THIS BOX.

Fascia name (Block Capitals)

Fascia code - Can be found close to the information label (Block Capitals)

A LABEL CONTAINING THE FASCIA CODE MAY HAVE BEEN PLACED INSIDE THIS BOX.

Brand (Please tick)

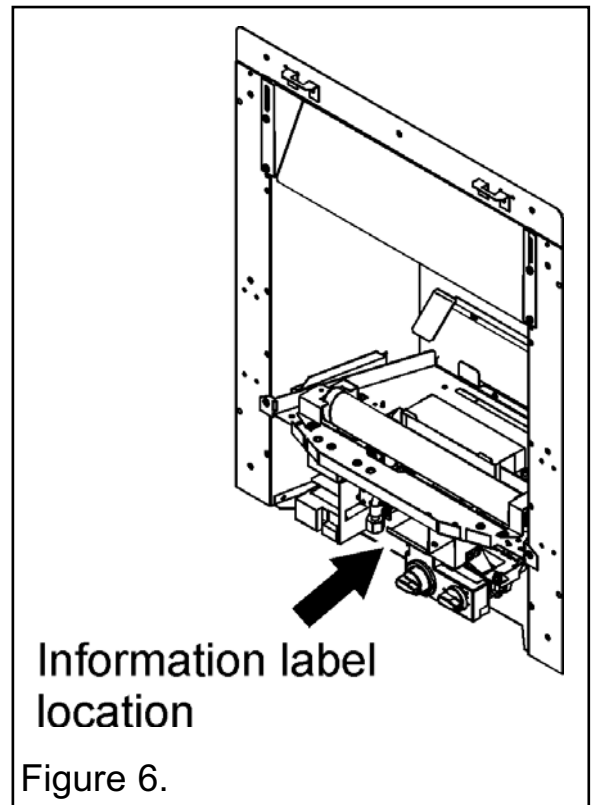
Baxi

Valor

Wonderfire Other.....

Date of Installation

D D M M Y Y



VALOR FIRES