

INSTALLER'S GUIDE

PRECAST FLUE SPACER KIT

KIT NUMBER 05654K1

(G.C. NUMBER E94 -169)

We trust that these instructions give sufficient details to enable this appliance to be installed and maintained satisfactorily. However, if further information is required, our **Technical Helpline** will be pleased to help.

Telephone **08706 061 065** (National call rates apply)

SAFETY

Installer

- Before continuing any further with the installation of this kit please read the following guide to manual handling
- The lifting weight of this kit is 3.27 kg. One person should be sufficient to lift the kit. If for any reason this weight is considered too heavy then obtain assistance.
- When lifting always keep your back straight. Bend your legs and not your back.
- Avoid twisting at the waist. It is better to reposition your feet.
- Avoid upper body/top heavy bending. Do not lean forward or sideways whilst handling the kit.
- Always grip with the palm of the hand. Do not use the tips of fingers for support.
- Always keep the kit as close to the body as possible. This will minimise the cantilever action.
- Use gloves to provide additional grip.
- Always use assistance if required.

INSTALLER: Please leave this guide with the owner

INSTALLER'S GUIDE

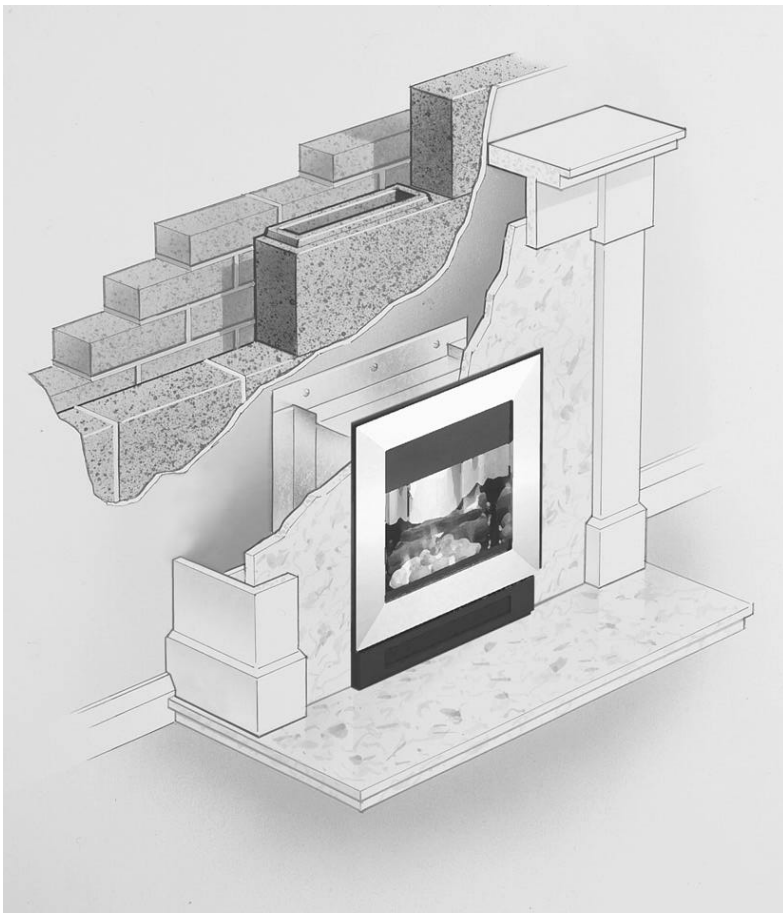


Figure 1. Precast Flue Spacer kit used with a surround

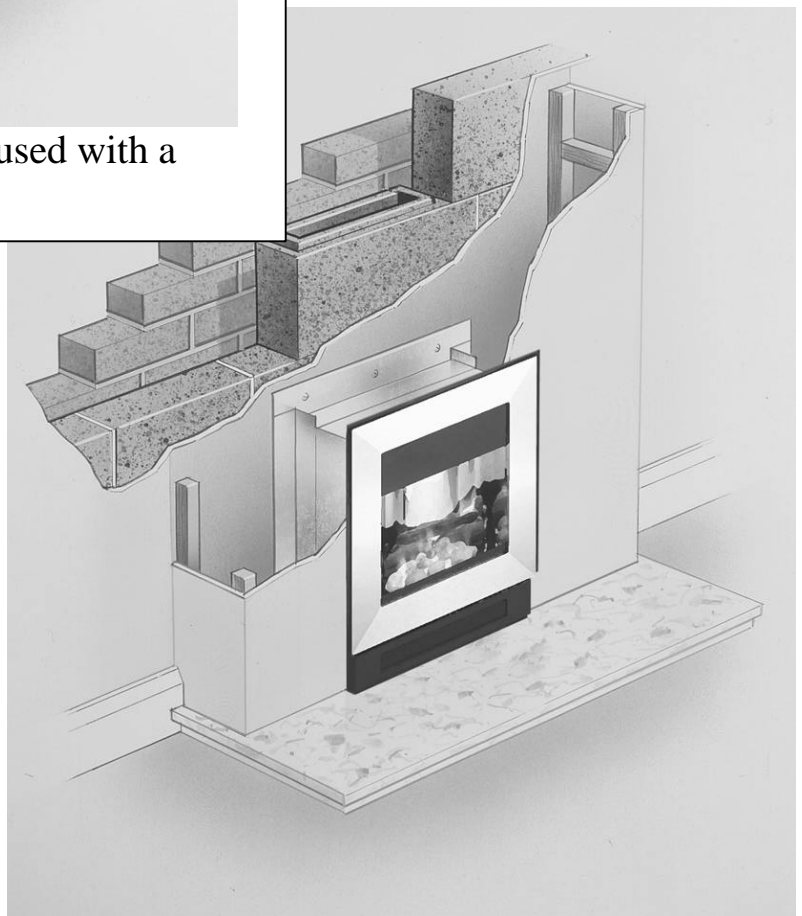


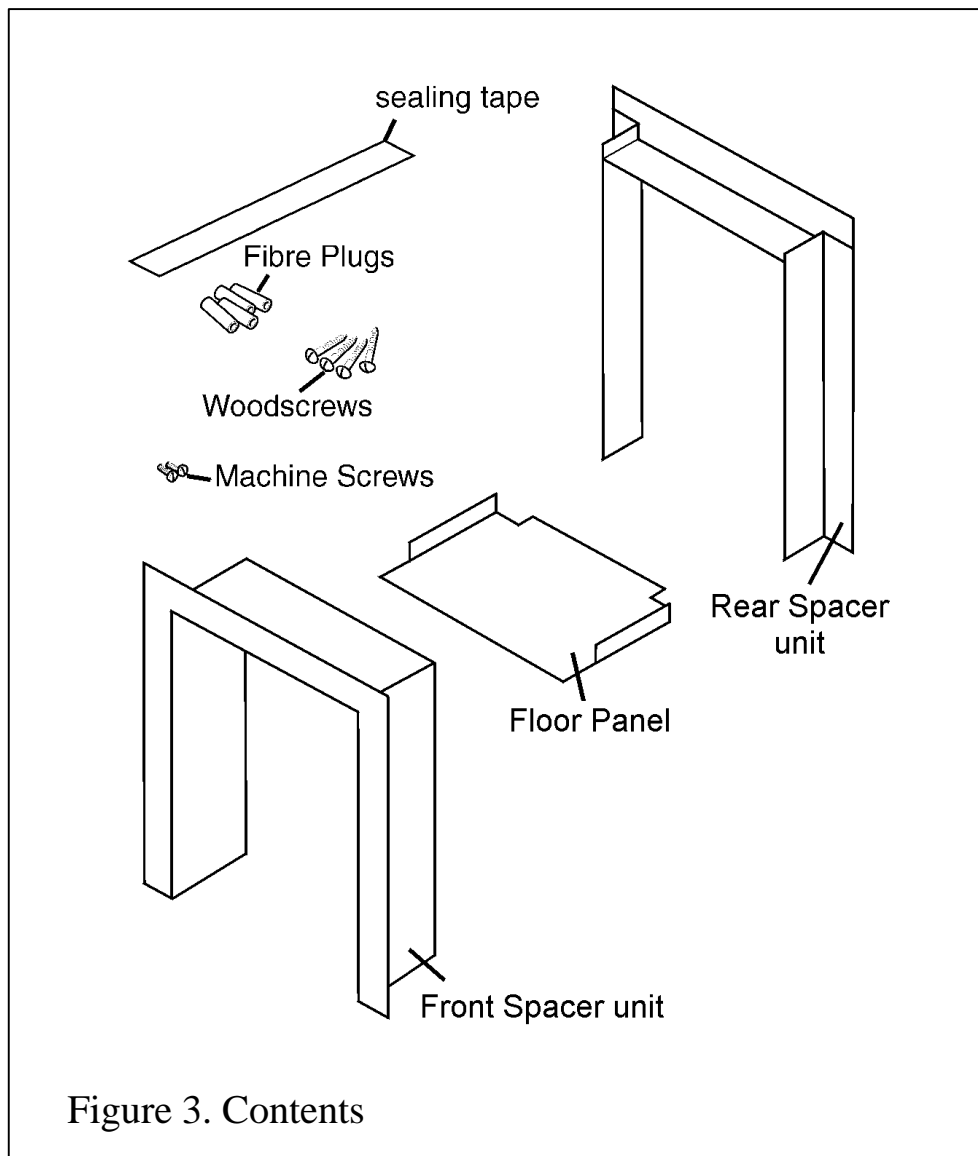
Figure 2. Precast Flue Spacer kit used with a false chimney

INSTALLER'S GUIDE

1. KIT CONTENTS

1	Rear spacer unit	8	Fibre plugs
1	Front spacer unit	1	Length of sealing tape
1	Floor panel		
8	Woodscrews		
13	Self tapping machine screws		

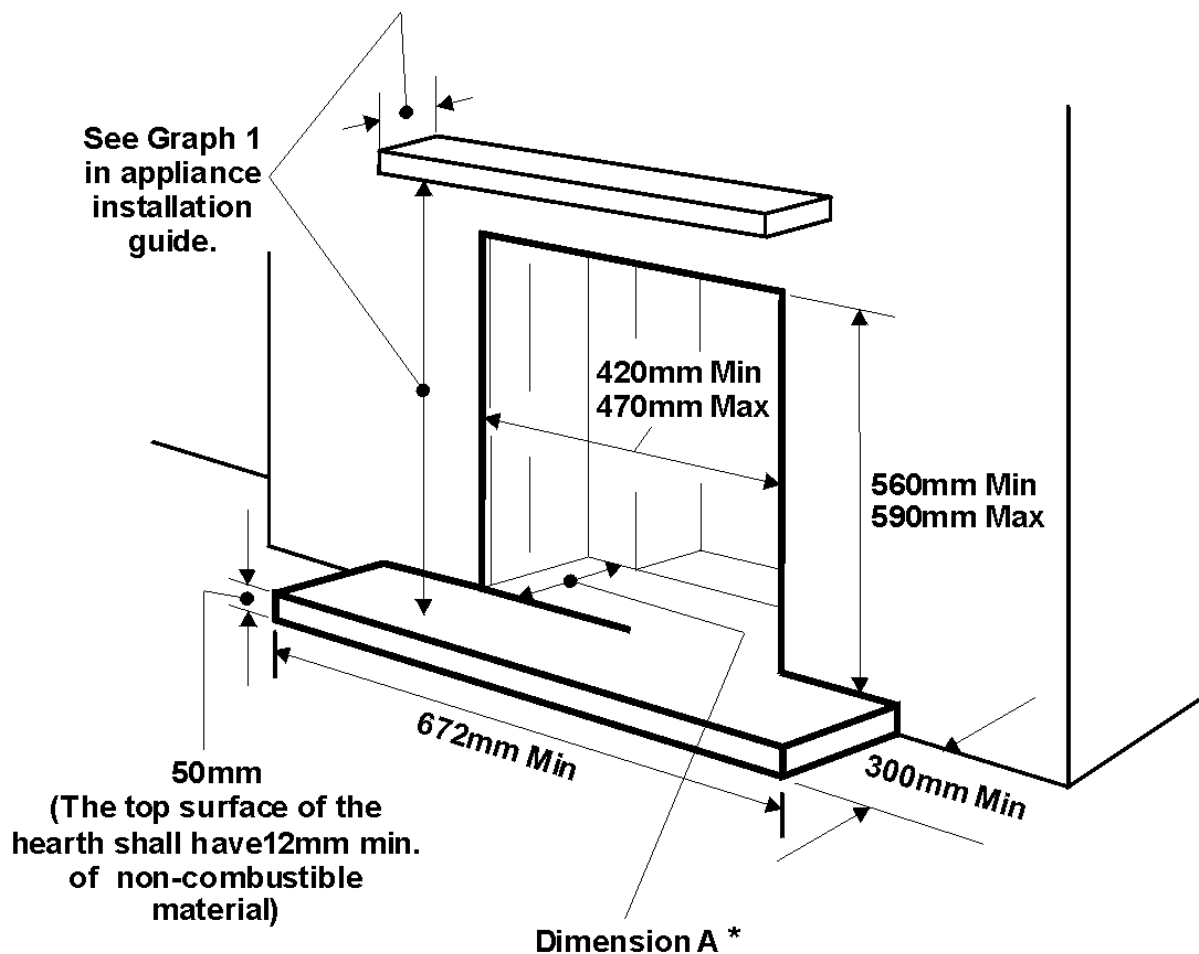
Check that all the contents are present and in good condition.



INSTALLER'S GUIDE

2. GENERAL

2.1 The kit is intended for use in conjunction with a surround / false chimneybreast and hearth meeting the dimensional requirements shown in figure 4. If the surround contains combustible material, it must be removed from any areas where removal of combustible cladding is called for in the appliance installation instructions.



* The spacer is telescopic. The depth from the extreme front face of the fireplace opening to the front face of a false chimney breast can therefore be between 185mm and 200mm. If a mantel / Surround is used then a minimum rebate of 185mm is required.

Figure 4. Surround / False chimneybreast and hearth dimensions

2.2 This kit is for use when installing in the following situations: -

INSTALLER'S GUIDE

2.2.1 A precast concrete or clay flue block system conforming to BS1289 or BS EN 1806 with dimensions as in figure 5. The kit is suitable for installations conforming to older versions of BS1289 as well as the current edition. The flue blocks must have a minimum width not less than 73mm and a cross-sectional area not less than 13,000mm². Older editions of BS1289 required a cross-sectional area of 13,000mm². The current revision of the standard requires 16,500mm². This kit is suitable in both cases. The distance from the back face of the flue starter blocks to the extreme front face of the fireplace including all surfacing must be no less than that shown in figure 6. The distance

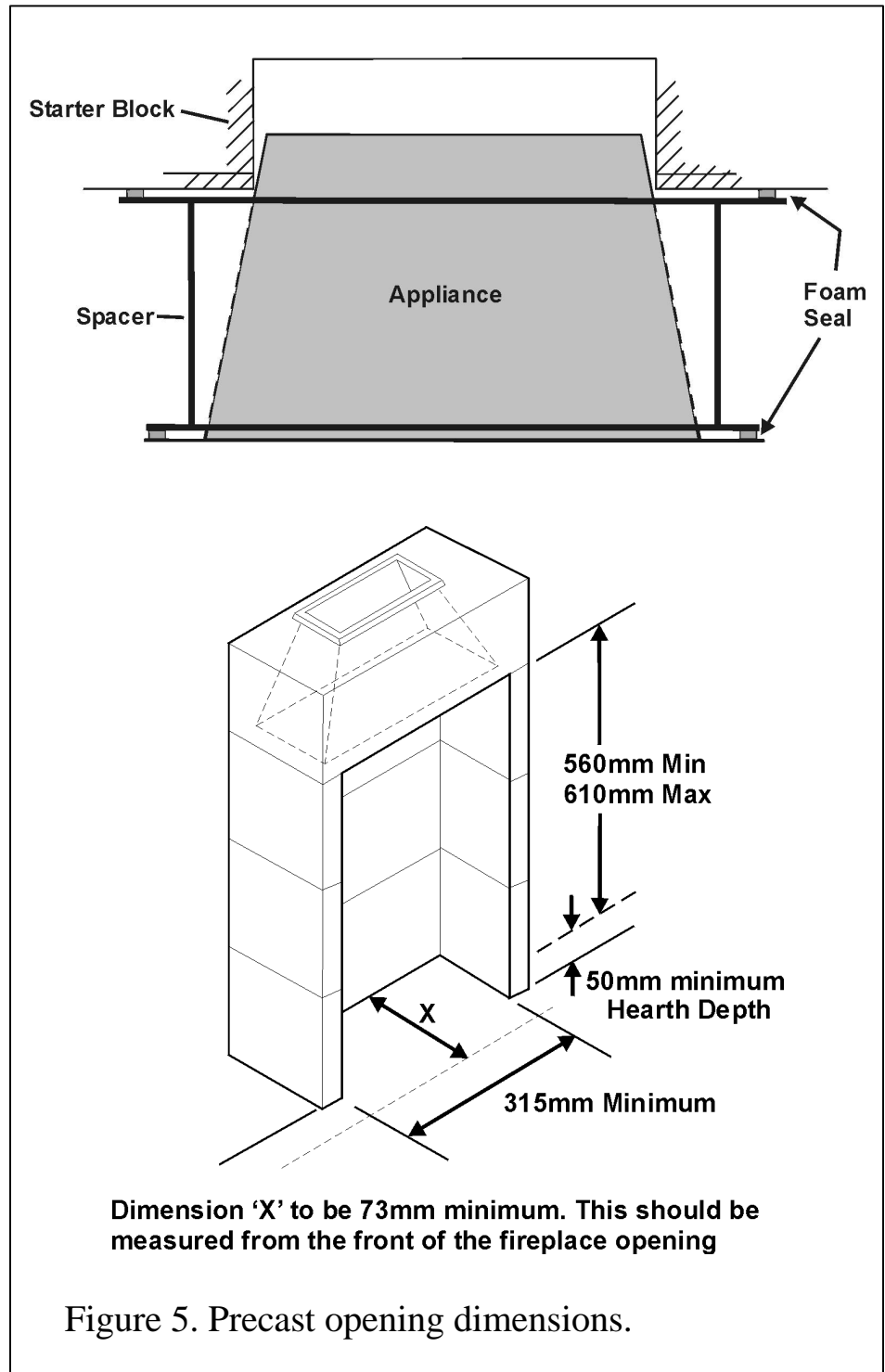


Figure 5. Precast opening dimensions.

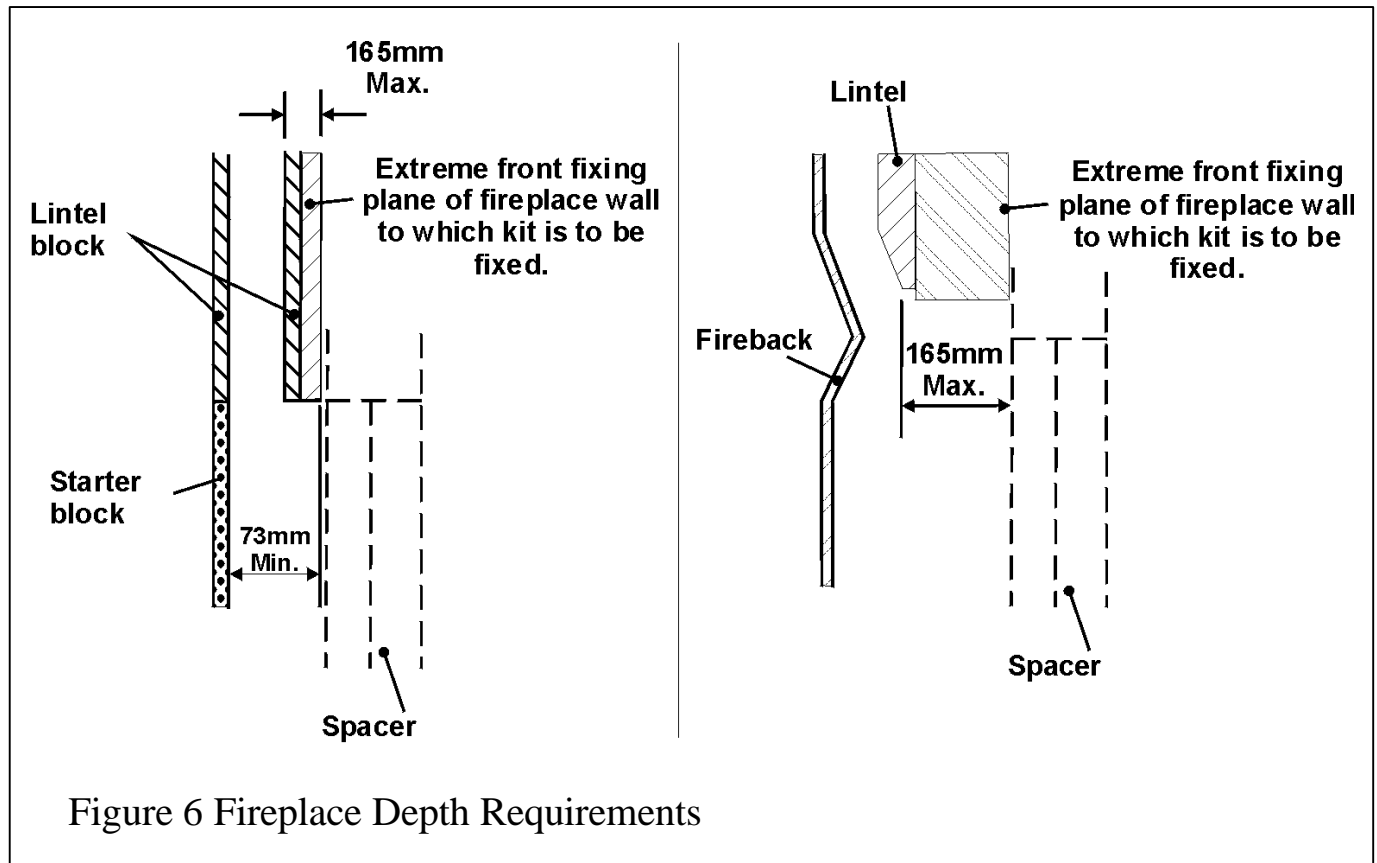
from the front face of the flueway opening in the lintel block (or equivalent) to the extreme front face of the fireplace including all surfacings must be no more than that shown in figure 6. If this maximum is exceeded poor clearance of combustion products could result. The flue starter blocks must not be modified.

The current versions of BS1289 and BS EN 1806 recommend that there should be an air space or insulation between the flue blocks and the plaster because heat transfer may cause cracking on directly plastered flues. However, generally this appliance is

INSTALLER'S GUIDE

suitable for installations under all circumstances unless there is a history of cracking problems.

Remember that faults such as cracking may be caused by poorly built and restrictive



flues, e.g. mortar extrusions, too many bends, flue heights below three metres, restrictive terminations etc.

2.2.2 Into a fireplace that has a fireback conforming to BS 1251. The distance from the front face of the flueway in the lintel (or equivalent) to the extreme front face of the fireplace including all surfacings must be no more than the distance shown in figure 6. If this maximum is exceeded poor clearance of combustion products could result.

2.3 If the fireplace opening is greater than the acceptable dimensions given in this guide, do not use the back of a fire surround or marble to reduce the opening. This may cause cracking of the surround back or marble.

2.4 The minimum effective height of the flue must be 3m.

2.5 The flue must not be used for any other appliance or application.

2.6 The flue should be inspected for soundness and freedom from blockages.

2.7 Note that, as with many appliances, bends or horizontal runs in metal flues at the top of the flue systems can be a cause of problems.

INSTALLER'S GUIDE

- 2.8** The inset fire must be installed in accordance with the instructions supplied with the appliance.
- 2.9** If a proprietary hearth and surround are to be installed, they must be installed in accordance with the instructions supplied with it as well as the conditions of these instructions and those supplied with the appliance.

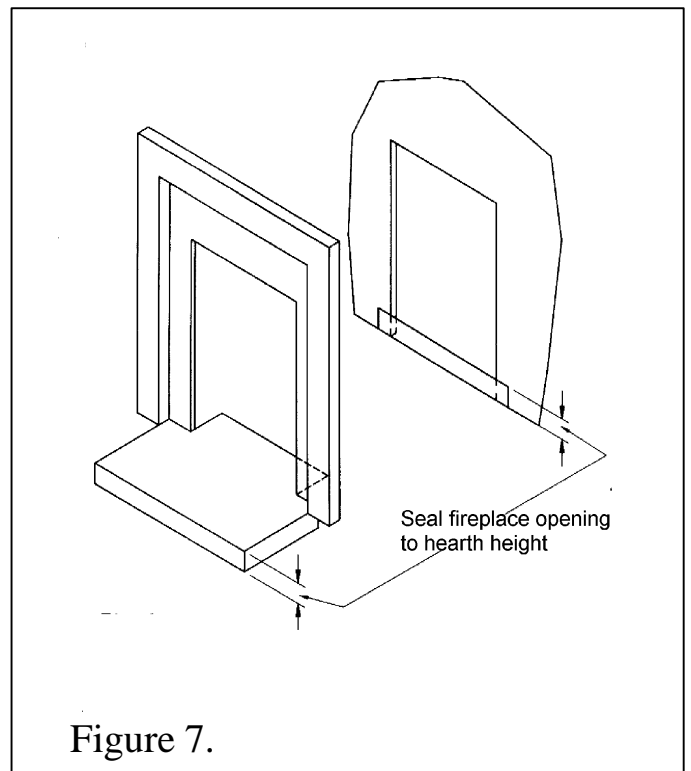
3. PRELIMINARY WORK

1. The front face of the fireplace opening should be reasonably flat over the area covered by the top and side flanges of the kit rear unit in order to ensure good sealing. These faces should be made good if necessary.

2. The bottom front of the fireplace opening must be enclosed to the height of the hearth's top surface. Position the hearth in place and mark the height of the top surface. If the floor of the fireplace is lower than the marked height, fill in to this height or blank off the opening with a strip of non-corrodible metal sealed with a silicone sealant or heat resistant aluminium tape. See figure 7.

3. The top of the fireplace opening should either be level or just above the inside of the rear telescopic unit. Place the rear telescopic unit in position to act as a template. If the top of the fireplace opening is lower than the top of the telescopic unit, the fireplace opening should be trimmed to be level.

4. The fireplace front must be sound enough to take the wall plugs and screws holding the rear telescopic unit. Place the rear telescopic unit in position to check the positions of the fixing holes. Make good if necessary.



INSTALLER'S GUIDE

4. INSTALLING THE KIT

The spacer is telescopic. The depth from the extreme front face of the fireplace opening to the front face of a false chimneybreast can therefore be between 185mm and 200mm. If a mantel / Surround is used the minimum rebate depth is 185mm.

1. It is not necessary to fit the hearth before installing the rear spacer unit. However, if the hearth is fitted at this point then the surface will require suitable protection against scratching and damage.
2. Place the rear unit in position against the fireplace opening. The bottom face of the floor panel must be at the height of the top surface of the hearth. Centralise the unit and support it if necessary (See figure 8).
3. Mark the eight screw fixing positions

on the front face of the fireplace. Remove the rear unit. Drill the fireplace front face at the marked positions with a no.12 masonry drill.

4. Insert a wall plug into each hole.
5. Put the rear unit back in position and fix firmly with eight woodscrews. Seal all round the periphery of the unit with a suitable silicone sealant or some of the aluminium sealing tape supplied (See figure 8). ***Make sure enough tape is left for sealing the front unit to the rear - see section 4, Item 5.***

6. Fit the floor panel to the rear spacer unit with two self tapping screws. See figure 9

7. Place the surround and hearth (If not fitted previously) in its correct position against the fireplace front surface.

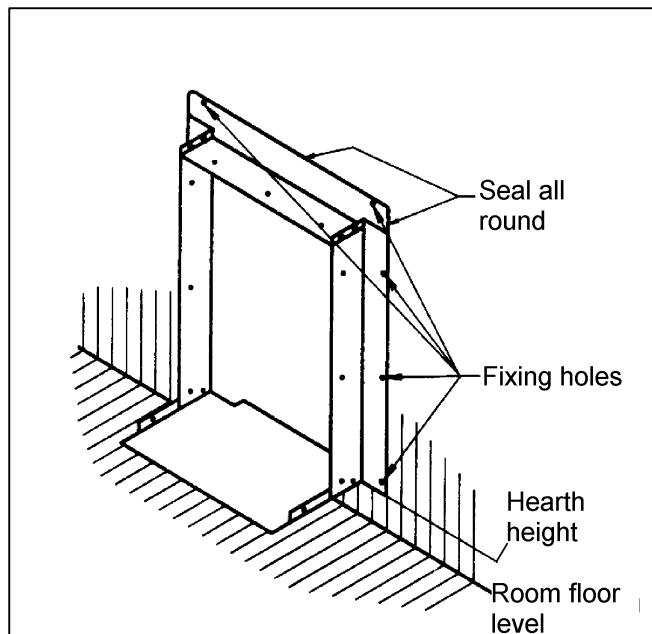


Figure 8 Rear unit installation

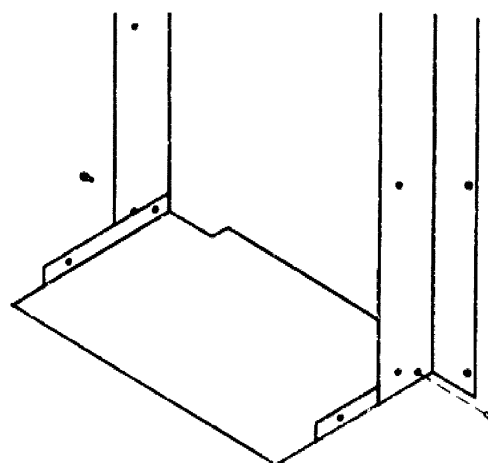


Figure 9. Floor panel fitting

INSTALLER'S GUIDE

8. Insert the front spacer unit into the surround opening. If necessary, adjust the position of the surround so that the front spacer unit is inside the floor panel and rear unit.

9. Fix the surround to the fireplace in accordance with the instructions supplied with the surround.

10. Make sure that the front spacer unit is pushed fully against the front face of the surround. Fix the front unit to the rear unit and floor panel from the inside with eleven self tapping screws (See figure 10).

11. Seal all round the inside joint between the front and rear spacer units with aluminium tape. ***Do not seal the front unit to the surround with tape.*** Sealing here is not necessary and any tape may be visible round the installed appliance (See figure 10).

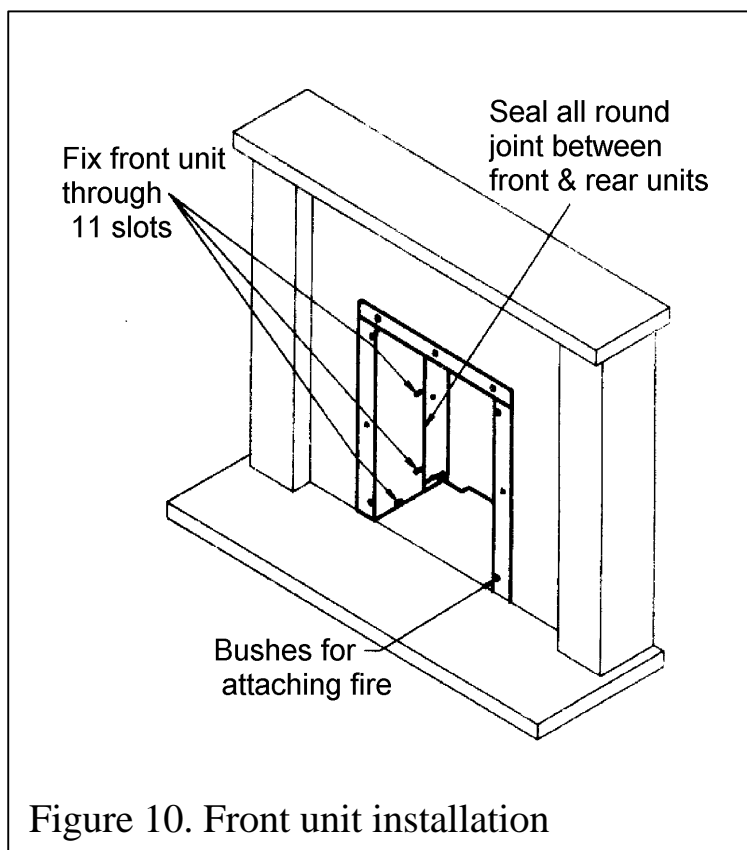


Figure 10. Front unit installation

12. **The inset fire must be installed in accordance with all the relevant sections of the installation instructions supplied with the appliance.**