

**Wonderfire**

**O W N E R ' S G U I D E**

for

**MODEL 530U**



**PRESIDENT  
UNIVERSAL**

**FREE STANDING GAS STOVE**

**(with Logs or Coals)**

**(G.C. 32-032-21)**

This guide is intended to help you care for your Wonderfire gas stove.  
It gives sufficient details to enable your gas stove to be operated and maintained.  
Please read carefully before using your gas stove and keep for future reference.

***Please keep your Owner Guide in a safe place together with the Installer Guide.***

As supplied, this appliance is for use with natural gas (G20)  
When converted using conversion kit no. 9500390 this appliance is for  
use with propane gas (G31)  
This appliance is for use in the United Kingdom (GB) and the Republic  
of Ireland (IE) only.

## C U S T O M E R C A R E

### ***Thank you for choosing Wonderfire.***

All Wonderfire appliances are designed to meet the most stringent quality, performance and safety requirements to provide our customers with many years' trouble-free service.

Your owner guide aims to improve your understanding and appreciation of your gas stove by providing simple and informative instructions to ensure that you benefit from the excellent performance and features it has to offer.

If you require further assistance or any advice about gas in general, the Wonderfire service department will be pleased to help.

In the United Kingdom please telephone **0121 386 6203**.

In the Republic of Ireland please telephone **353 183 75114**

## C O N T E N T S

SAFETY.....	3
APPLIANCE DATA.....	4
OPERATING YOUR STOVE.....	5
CLEANING.....	6
FRONT UNIT & WINDOW REMOVAL.....	7
CERAMIC FUEL BED INSTALLATION .....	8
Ceramic Walls Installation.....	8
Ceramic Logs Installation .....	9
Ceramic Coals Installation .....	10
BATTERY REPLACEMENT.....	11
MAINTENANCE .....	11

# SAFETY

## IF YOU SMELL GAS

**DON'T SMOKE**

**EXTINGUISH ALL NAKED FLAMES**

**DON'T TURN ELECTRICAL SWITCHES ON OR OFF**

**TURN OFF THE GAS SUPPLY AT THE METER**

**OPEN DOORS AND WINDOWS TO GET RID OF THE GAS**

**IMMEDIATELY CALL THE GAS EMERGENCY SERVICE - SEE YOUR LOCAL TELEPHONE DIRECTORY**

1. As with any gas appliance, this fire must be installed and, if applicable, converted for use with other gases by a competent person. In the United Kingdom, installation must be in accordance with the latest edition of the Gas Safety (installation & use) Regulations. In the Republic of Ireland, installation must be in accordance with all national and local regulations in force.
2. The distances from the stove to any construction made from wood or other combustible materials must be at least those shown in figure 1. Please bear this in mind if altering the room.
3. Soft wall coverings (e.g. embossed vinyl etc.), are easily affected by heat. They may, therefore, scorch or become discoloured when close to a heating appliance. Please bear this in mind when having a heating appliance installed and when redecorating.
4. The fire must never be used without the glass panel in position or with damaged glass. If the glass is damaged the fire should be switched off and not used until the glass is replaced.
5. No attempt should be made to clean the bright metal interior of the firebox with metal polish or other abrasives. After a little use the interior of the firebox will colour. This is quite normal.
6. Never put any paper or other material on the fire.
7. It should be appreciated that although this appliance conforms to all the applicable standards, it is a heating appliance and certain parts of its surface will become hot. A suitable guard which complies with BS 6539 or 6778 should be used for the protection of young children, the elderly and the infirm. Such a guard is also recommended for the protection of pet animals.
8. The front castings above the access door, the top castings, and the window are working surfaces which become hot when the stove is alight. Always switch the fire off and allow to cool before touching these areas.
9. Never place clothing, towels or any other fabrics over the stove.
10. This appliance is fitted with a device which will automatically shut off the supply of gas to the fire if, for any reason, the flames go out. If this device does operate or if the fire is turned off accidentally or intentionally, always wait three minutes before attempting to relight.
11. The glass panel acts as a fireguard conforming to BS 1945: 1971 and satisfies the Heating Appliance (Fireguard) (Safety) Regulations 1991 but does not give full protection for young children, the elderly or the infirm. Extra security can be provided by fitting a fireguard which complies with the requirements of BS 6539 (Fireguards for use with Solid Fuel Appliances) 1984. Such a fireguard is also recommended for the protection of pet animals.
12. **Balanced flue appliances**  
The flue terminal on the outside wall must be kept free from all obstructions and blockages.

### **Please note**

When operating your fire for the first time, some vapours may be given off due to the burning of released curing compounds used in the manufacture of the appliance. They may cause a slight odour and could cause the flames to be the full height of the fire box, or even slightly higher, for the first few hours of operation. It is also possible that they could set off any smoke alarms in the immediate vicinity. These vapours are quite normal with new appliances. They are totally harmless and will disappear after a few hours use.

During the first hour of use the ceramic firebox walls may go a smoky colour. This is not soot. It is a temporary effect lasting only while the ceramic material becomes stabilised. The walls will revert to their initial colour after your fire has been used for one or two hours.

## APPLIANCE DATA

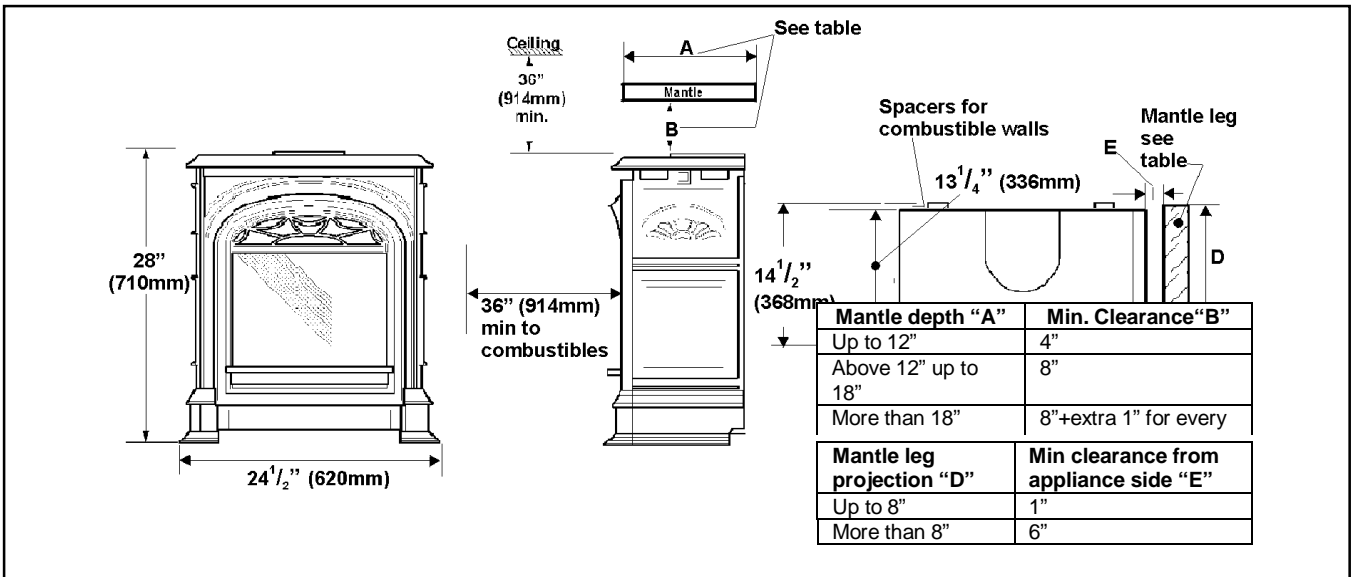


Figure 1 Appliance dimensions & clearances

Natural gas appliances have a maximum gas input at the high setting of 6.12kW (Gross) and a minimum gas input at the low setting of 1.9 kW (Gross).

Propane gas appliances have a maximum gas input at the high setting of 5.7kW (Gross) and a minimum gas input at the low setting of 3.51 kW (Gross).

To calculate the running cost of this fire, multiply the gas consumption (gas input) by the cost of gas which you will find on your gas bill.

$$\text{GAS CONSUMPTION (HEAT INPUT)} \quad \times \quad \text{COST OF GAS} \quad = \quad \text{RUNNING COST}$$

## OPERATING YOUR STOVE

**All appliances whether they have a balanced flue or an open metal flue are fitted with a flame sensing system.**

**The flame sensing system** will automatically shut off the gas supply to the fire if the pilot flame goes out for any reason.

***If this device starts to repeatedly shut off the gas, get expert advice.***

This device incorporates a probe which senses that the heat from the pilot flame is correct. If this probe is cool, the device will prevent any gas flow unless the gas control knob is held in at the "PILOT" position.

If, for any reason, the flames go out when the fire is hot or if the fire is turned off when hot, always ***wait at least five minutes before attempting to relight.***

**Appliances with an open metal flue are also fitted with a flue blockage safety system** which will shut down the appliance in the event of abnormal flue conditions. ***This device is NOT a substitute for an independently mounted Carbon Monoxide detector.***

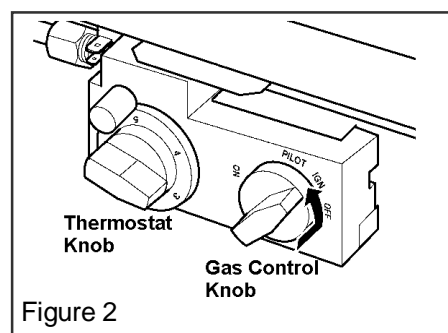
### **The Wonderfire Temperature Control System**

The built-in modulating thermostatic control automatically adjusts flame height up or down to maintain room comfort. This provides steady heat output rather than on/off heating like some other thermostat systems. This results in superior room comfort and better heater efficiency\*.

\*If, however, even when the flames are fully lowered the temperature cannot be reduced down to the chosen heat setting, the system will shut the main burner off leaving the pilot only on until the temperature has dropped to an acceptable level. The burner will then relight. ***If the room is left empty while the heater has shut down to pilot only alight, be aware that the flames will relight if the temperature in the room drops sufficiently – keep combustible objects away from the fire.***

### **To light the fire**

1. Open the bottom access door.
2. Push in and turn the gas control knob anticlockwise until resistance is felt just before the "IGN" position. See figure 2.
3. Keep pushed in for a few seconds to allow gas to flow then, keeping knob depressed, turn to "PILOT" to light pilot. Hold knob in for a further 5 seconds then release. The knob should pop back out. The pilot should remain alight. The pilot flame can be seen through the hole in the front fuel effect at the left side.
4. When pilot is alight, partially depress the knob and turn to "ON" position.
5. Set the thermostat by either
  - By depressing the rocker switch at the side of the stove. Pressing the upper half will raise the thermostat setting and flames. Pressing the lower half should lower them.
  - By rotating the thermostat knob next to the gas control knob (See figure 2).
  - If supplied, by operating the remote control hand set.



### **To turn off**

Push in the gas control knob slightly and turn to "OFF"

## CLEANING

Turn the fire off and allow it to cool before attempting any cleaning. Note that the fire will retain heat for some time after it has been turned off.

### Metal parts

Clean the metal parts with a slightly damp cloth and then dry. ***Do not use abrasive cleaners, they could scratch the surface.***

### Window

It will be necessary to clean the glass periodically. During start-up, condensation, which is normal, forms on the inside of the glass and causes dust, lint etc. to cling to the glass surface. Initially paint, while curing, may deposit a slight film on the glass. We therefore recommend that, during the first few weeks of use, the glass is cleaned two or three times with non-abrasive common household cleaners and warm water. ***Ammonia based cleaners should not be used.*** Subsequently the glass should be cleaned two or three times a season depending on the circumstances. When cleaning, make sure that no particles are brushed into the slots in the burner.

***Do not clean the glass while it is hot.***

See next page for window removal.

### Ceramic fuel effects and walls

This product uses fuel effect pieces and firebox walls containing Refractory Ceramic Fibres (RCF), which are man-made vitreous silicate fibres. Excessive exposure to this material may cause temporary irritation to eyes, skin and respiratory tract. Consequently, it makes sense to take care when handling these articles to ensure that the release of dust is kept to a minimum.

Light coatings of dust particles etc. will usually be burnt off during the normal operation of the fire. Should any accumulation of particles become excessive, the fuel effect pieces and walls should be removed from the stove for cleaning. Cleaning should be carried out in a well-ventilated area or in the open air by gently brushing with the pieces held away from your face so that you avoid inhaling the dust. We do not recommend the use of a normal domestic vacuum cleaner which may blow dust back into the air.

We suggest that you remove the items in the reverse order to that shown in the fuel bed refitting section of this guide. **Always completely remove the window before removing the fuel effects (See next page).**

**Always refit the ceramics as shown in the fuel bed refitting section of this guide.**

**Only use the fuel effects supplied with this appliance or the correct Wonderfire replacement parts. Never attempt to put on any extra fuel effects.**

### Burner

Dust etc. can also be removed from the burner using a soft brush after removing the ceramic fuel effects.

## FRONT UNIT & WINDOW REMOVAL

### Removing the front unit

See figure 3.

1. Appliances with rear flue connection: Lift off the top infill casting if loosely fitted.
2. Lift off the top casting.
3. Lift and unhook the front unit.

### Removing the Window

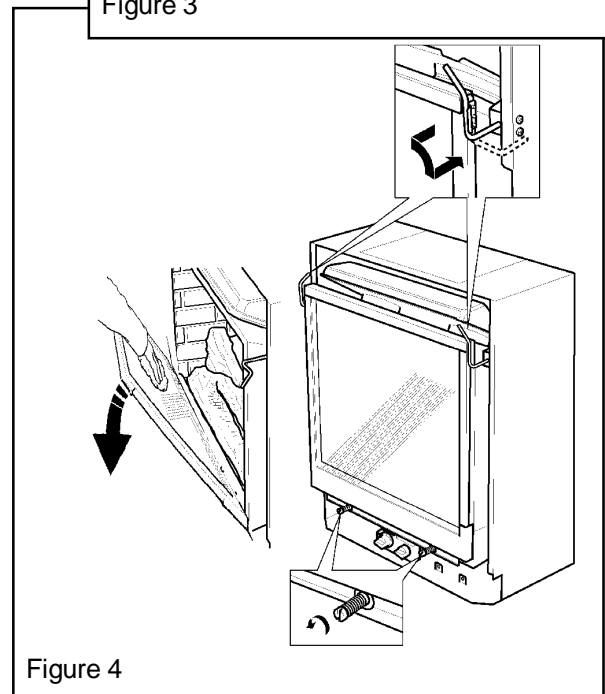
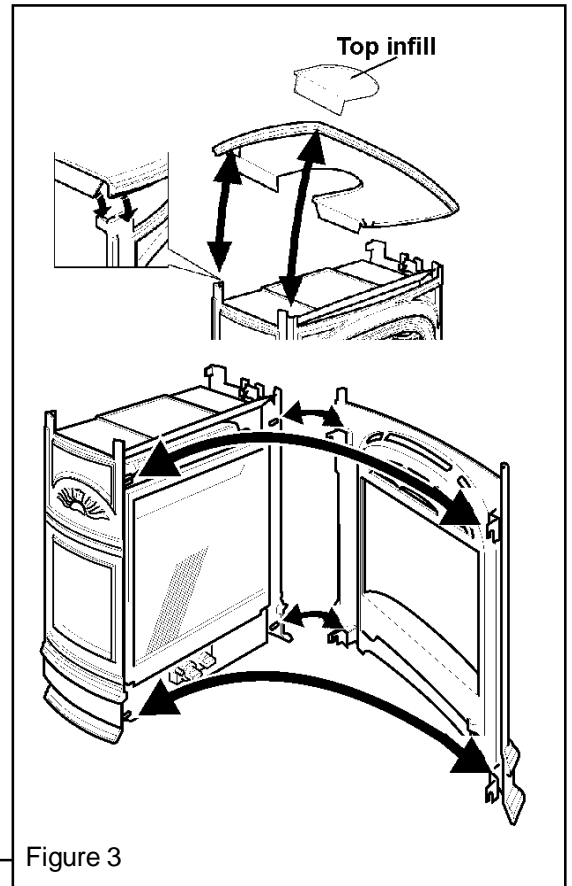
See figure 4.

The inside of the window can be cleaned by pulling forward and rotating the two clamping bars at the top corners of the window and swinging the window part way down. ! **Be careful not to distort or damage the spring-loaded bolts – Don't swing the window down more than is necessary!**

To completely remove the window, also unscrew the two spring loaded bolts at the bottom of the window.

After refitting the window apply light hand pressure against the window frame sides to bed in the window seal.

*Always securely replace the window before lighting.*



## CERAMIC FUEL BED INSTALLATION

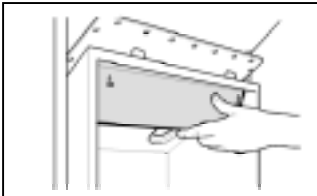


Figure 5

### Ceramic Walls Installation

1. Detach the firebox port cover by removing two screws. see figure 5
2. Locate the ceramic rear wall in the channel at back of the firebox and flat against the back of the firebox. See figure 6.
3. Locate the side walls in the channels at the sides of the firebox. See figure 7.
4. Refit the firebox port cover using the two screws previously removed.

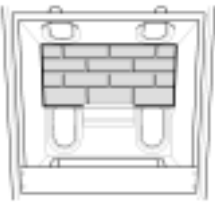
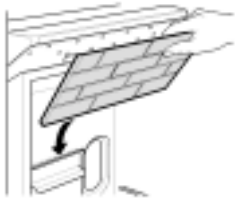


Figure 6

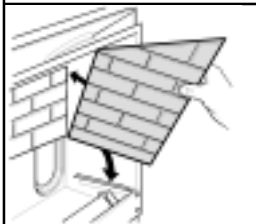


Figure 7



## Ceramic Logs Installation

(For ceramic coals, see next page)

1. Place the base log on the supports in the firebox and against the firebox back. See figure 8.
2. Place the rear log over the base log. Locate the holes in the top log into the pegs in the base log. See figure 9.
3. Place the front log behind the metal lip at front of the firebox. See figure 10.
4. Place the right side log in the hollow at right of the base log. Rest the narrow nose of this log on the projection at front centre of the base log – ***It is important that the narrow nose does not drop down to touch the burner.*** See figure 11.
5. Place the left side log on base log at the left side. Locate its nose tip behind the nose of the right side log. ***It is important that the narrow nose does not drop down to touch the burner.*** See figure 12.

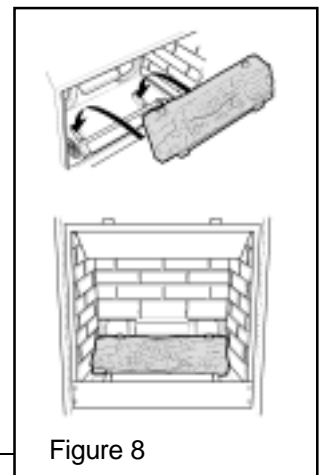


Figure 8

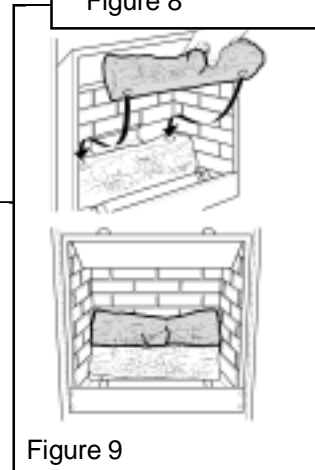


Figure 9

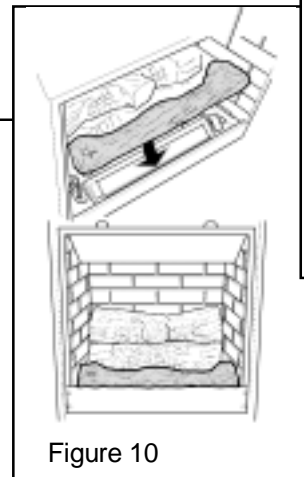


Figure 10

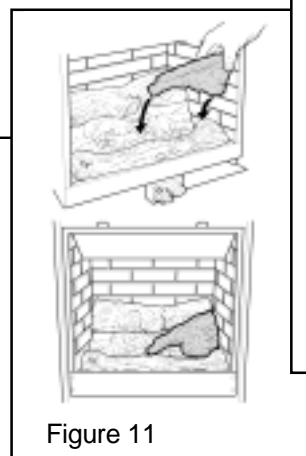


Figure 11

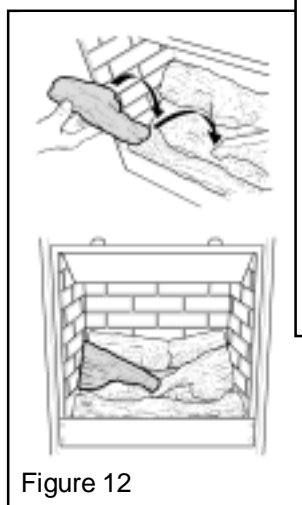
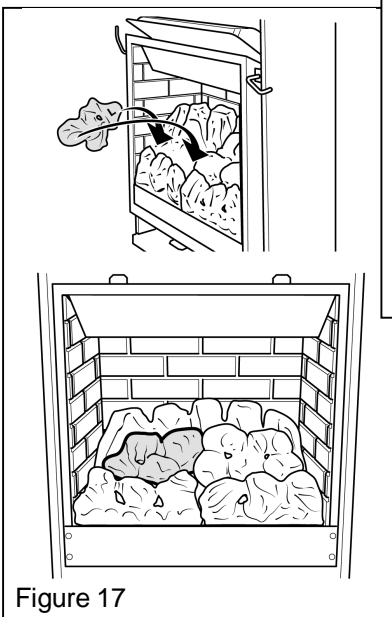
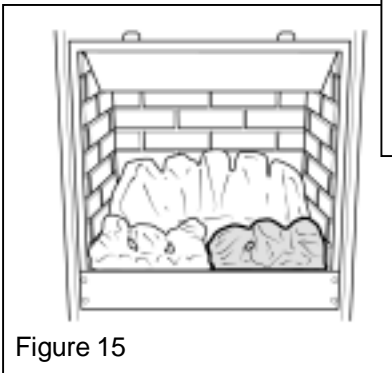
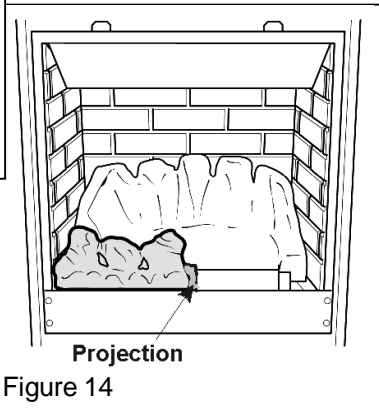
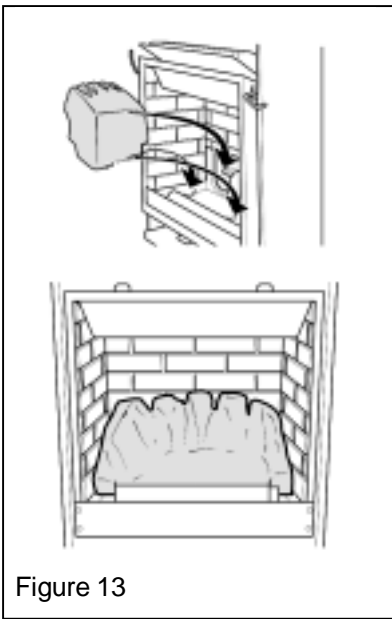


Figure 12

### **Ceramic Coals Installation**

(For ceramic logs, see previous page)

1. Place the base coal on the supports in the firebox and against the firebox back. See figure 13.
2. Place the left front coal in position behind the metal lip at the front of the firebox. The side projection on this coal should be near the middle front of the firebox. See figure 14.
3. Place the right front coal behind the metal lip at the front of the firebox. Its left side should rest over the projection on the left front coal. See figure 15.
4. The centre right coal has letter "R" embossed underneath. Place this coal behind the front right coal. See figure 16.
5. The centre left coal has letter "L" embossed underneath. Place this coal behind the front left coal. See figure 17.



## BATTERY REPLACEMENT

All appliances use four 1.5V AA batteries for the thermostat control.

For Appliances with Rocker Switch on Side the batteries are accessible by opening the bottom access door.

For Appliances with Remote Control the batteries are accessible by opening the bottom access door and removing the lid of the remote control receiver.

The hand set has a 9V battery.

## MAINTENANCE

### Regular maintenance

In order to achieve and maintain high levels of personal safety and performance efficiency, it is essential that the flue is kept clear of any form of obstruction.

In the United Kingdom it is the law that a landlord must have any gas appliance, flue and pipework which is situated in a tenant's premises checked for safety at least every twelve months by a competent person (In the U.K., a CORGI registered installer).

We recommend that all gas appliances and their flues, wherever situated, are checked annually.

### Servicing

- In the United Kingdom servicing can be carried out either by a Wonderfire Service engineer or a CORGI registered installer.
- If you require your fire to be serviced, please contact the Wonderfire service department on **0121 386 6203** and quote the following details:
  - a) - model name and number.
  - b) - appliance serial no. (To be found on a label inside the stove at the bottom, visible when the bottom access door is opened.)
- If you wish to replace any of the owner replaceable parts listed below, please contact your dealer or the Wonderfire service department for your nearest stockist of these parts. When ordering please quote the part number shown below.
- In Republic of Ireland call **353 183 75114** for all enquiries.

<b>Description</b>	<b>Part No.</b>
Window unit	568649
Spring loaded bolt (For window)	568659
Complete set of ceramic logs	568669
Base log only	568679
Front log only	568689
Rear log only	568699
Left side log only	568709
Right side log only	568719
Complete set of ceramic coals	570999
Base coal only	571009
Left front coal only	571019
Right front coal only	571029
Centre left coal only	571039
Centre right coal only	571049
Complete set of ceramic walls	568729
Ceramic rear wall only	568739
Ceramic right side wall	568749
Ceramic left side wall	568759

When fitting replacement parts, **follow the instructions contained in this guide.**

**It is important that only Wonderfire approved parts are used for maximum safety.**

All Wonderfire appliances are CE Approved and designed to meet the appropriate British Standards.



All Wonderfire appliances are manufactured to the highest standards of quality and excellence under the BS EN ISO 9001 quality system accepted by the British Standards Institute.

All Wonderfire gas appliances must be installed by a competent person in accordance with the Installer Guide. If in doubt always use the services of a CORGI Registered Installer

Please fill in the following information for your own future reference. The information should always be quoted in any correspondence with your original supplier or Wonderfire service department.

In the United Kingdom please telephone **0121 386 6203**.

In the Republic of Ireland please telephone **353 183 75114**

Model	<b>530U President Universal</b>
Flue (Tick box)	<b>Balanced</b> <b>Open</b>
Front (Tick box)	<b>Black Textured</b> <b>Black Enamelled</b> <b>Green Enamelled</b>
Supplier's Name	
Supplier's Address	
Supplier's Telephone No.	
Date of Purchase	
Guarantee Card No.	



MANUFACTURED BY WONDERFIRE  
Wood Lane, Erdington, Birmingham B24 9QP

Because our policy is one of constant development and improvement, details may vary slightly from those given in this publication