



INSTALLER AND OWNER GUIDE

Please keep me in a safe place for future use.

Model 348 BLACK BEAUTY

RADIANT / CONVECTOR GAS FIRE

Incorporating the VALOR **FireSlide**® CONTROL

(G.C. No. 32-032-90)



We trust that this guide gives sufficient details to enable this appliance to be installed, operated and maintained satisfactorily. However, if further information is required, our **Valor Technical Helpline** will be pleased to help.

Telephone **0844 8711 565** (National call rates apply in the United Kingdom).

In the Republic of Ireland Telephone **0044 844 8711 565**.



THIS APPLIANCE IS FOR USE WITH NATURAL GAS (G20).

**UNDER NO CIRCUMSTANCES IS THIS FIRE TO BE CONVERTED TO LPG.
AN LPG KIT DOES NOT EXIST FOR THIS GAS FIRE.**

**THIS APPLIANCE IS SUITABLE ONLY FOR INSTALLATION IN THE UNITED
KINGDOM (GB) AND THE REPUBLIC OF IRELAND (IE).**

© GDC Group Ltd. 2011.

All rights reserved. No part of this publication may be reproduced in any material form (including photocopying), stored in any medium by electronic means (including in any retrieval system or database) or transmitted, in any form or by any means, whether electronic, mechanical, recording or otherwise, without the prior written permission of the copyright owner.

Applications for the copyright owner's permission to reproduce any part of this publication should be made, giving details of the proposed use, to the following address: The Marketing Communications Manager, GDC Group Ltd, Millbrook House, Grange Dive, Hedge End, Southampton, SO30 2DF.

Warning: Any person who does any unauthorised act in relation to a copyright work may be liable to criminal prosecution and civil claims for damages.

Valor, Erdington, Birmingham B24 9QP
www.firesandstoves.co.uk

Because our policy is one of constant development and improvement, details may vary slightly from those given in this publication

Safety First.

Valor fires are CE Approved and designed to meet the appropriate British Standards and Safety Marks.



Quality and Excellence.

All Valor fires are manufactured to the highest standards of quality and excellence and are manufactured under a BS EN ISO 9001 quality system accepted by the British Standards Institute.



The Highest Standards

Valor is a member of SBGI and HHIC (Heating and Hot water Industry Council) that work to ensure high standards of safety, quality and performance.



Careful Installation

This gas fire must be installed by a competent GAS SAFE REGISTER operative in accordance with this installer guide.



INSTALLER GUIDE

FOR OWNER GUIDE SEE PAGES 31 TO 43

INSTALLER GUIDE

CONTENTS

<u>Section</u>	<u>Heading</u>	<u>Page</u>
	INSTALLER GUIDE	4 - 30
	OWNER GUIDE	31 - 43
1.	IMAGE	7
2.	SAFETY AND UNPACKING	7
3.	LIST OF ACCESSORIES	8
4.	APPLIANCE DATA, EFFICIENCY AND NO_x	8
	4.1 Appliance data.	8
	4.2 Efficiency.	8
	4.3 NO _x	9
5.	GENERAL INSTALLATION REQUIREMENTS	9
	5.1 Regulations, Standards and Law.	9
	5.2 Ventilation.	10
	5.3 The Atmosphere sensing device (ASD).	10
	5.4 Room considerations.	10
	5.5 Chimney preparation.	11
	5.6 Fireplace preparation.	11
	5.7 Fireplace clearances.	12
	5.8 The flue spigot.	13
	5.9 The hearth.	13
	5.10 Installation options.	14
	5.11 Fireplace opening size.	15
	5.12 The flue.	16
6.	PRE-INSTALLATION PREPARATION	16
	6.1 Unpacking.	16
	6.2 Appliance preparation.	16
	6.3 Fitting the battery.	17
	6.4 Ignition.	17
	6.5 Fireplace flue pull.	17
	6.6 Fitting the closure plate.	18
7.	APPLIANCE INSTALLATION	19
	7.1 Installing to a hearth.	19
	7.2 Wall mounting.	19
	7.3 Gas supply connection.	19
	7.4 Radiants installation.	19
	7.5 Flue restrictor adjustment.	20

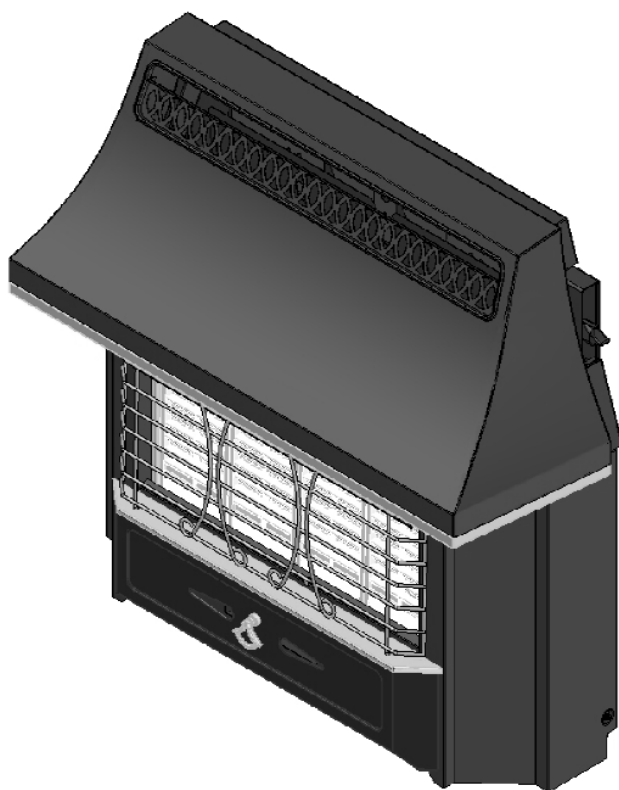
INSTALLER GUIDE

CONTENTS (CONTINUED)

<u>Section</u>	<u>Heading</u>	<u>Page</u>
8.	CONTROL AND PRESSURE CHECKS	20
8.1	Check control settings.	20
8.2	Flame supervision and spillage monitoring system.	21
8.3	Check reference pressure.	22
9.	FASCIA FITTING	22
10.	SPILLAGE CHECK	23
11.	FINAL REVIEW	24
12.	SERVICING AND PARTS REPLACEMENT	25
12.1	To replace radiant(s).	25
12.2	To remove the fascia.	26
12.3	To remove the electronic igniter unit.	26
12.4	To remove the pilot unit.	26
12.5	To remove the injectors.	26
12.6	To remove the burner only.	27
12.7	To remove the complete burner module, pipes and pilot.	27
12.8	To remove the gas flow rate controller.	28
12.9	To remove the 'T' piece.	28
12.10	To remove the shut-off valve assembly.	29
12.11	To grease the gas flow rate controller.	29
12.12	To remove the slider mechanism.	29
12.13	To remove the slider cover.	30

INSTALLER GUIDE

1. IMAGE



2. SAFETY AND UNPACKING

Installer

Before continuing any further with the installation of this appliance please read the following guide to manual handling:

- The approximate lifting weight of this appliance is 16.6 kg (including ceramic radiants).
- One person should be sufficient to lift the fire. If for any reason this weight is considered too heavy then obtain assistance.
- When lifting always keep your back straight. Bend your legs and not your back.
- Avoid twisting at the waist. It is better to reposition your feet.
- Avoid upper body / top heavy bending. Do not lean forward or sideways whilst handling the fire.
- Always grip with the palm of the hand. Do not use the tips of fingers for support.
- Always keep the fire as close to the body as possible. This will minimise the cantilever action.
- Use gloves to provide additional grip.
- Always use assistance if required.

This appliance does not contain any component manufactured from asbestos or asbestos related products.

INSTALLER GUIDE

3. LIST OF ACCESSORIES

Description	Part number
Spigot extension	0595191
Control knob extension kit	5138166

4. APPLIANCE DATA, EFFICIENCY AND NO_x

4.1 Appliance data.

Gas	Natural (G20)
Inlet Pressure	20mbar
Input - Max. (Gross)	5.4 kW (18,424 Btu/h)
Input - Min. (Gross)	2.7 kW (9,212 Btu/h)
Burner Test Pressure (Cold)	17.8 ± 0.75mbar (7.14 ± 0.3in w.g.)
Gas Connection	8mm pipe
Burner Injector - Upper (Centre Radiants)	Cat 28 - 170
Burner Injector - Lower (Outer Radiants)	Cat 28 - 170
Pilot & Atmosphere Sensing Device	COPRECI 21100/235-HK
Ignition	Electronic spark generator
Aeration	Non-adjustable

The appliance information label is on the inner face of the back panel at the lower left hand side. It is visible when the fascia is removed.

4.2 Efficiency.

The efficiency of this appliance has been measured as specified in BS 7977 - 1 and the result is as below:

<u>Model</u>	<u>Efficiency % (Gross)</u>
348 Black Beauty Fireslide	74.0

The gross calorific value of the fuel has been used for this efficiency calculation. The test data from which it has been calculated has been certified by GL Industrial services (0087). The efficiency value may be used in the UK Government's Standard Assessment Procedure (SAP) for energy rating of dwellings.

INSTALLER GUIDE

The conversion of **net** efficiency to **gross** was achieved by multiplying the net efficiency by the following conversion factor from Table E3 of SAP 2005, rounding down to the nearest whole number.

Gas	Conversion factor from net to gross efficiency
Natural Gas	0.901

4.3 NO_x

The natural gas 'weighted' NO_x result is 295.4 mg/kWh which equates to a NO_x class 2 when tested in accordance with clause 6.5.5. of BS 7977-1.

5. GENERAL INSTALLATION REQUIREMENTS

5.1 Regulations, Standards and Law.

The installation must be in accordance with these instructions.

For the user's protection, in the United Kingdom it is the law that all gas appliances are installed by competent persons in accordance with the current edition of the Gas Safety (Installation and Use) Regulations. Failure to install the appliance correctly could lead to prosecution. GAS SAFE REGISTER require their members to work to recognised standards.

In the United Kingdom the installation must also be in accordance with:

- All the relevant parts of local regulations.
- All relevant codes of practice.
- The relevant parts of the current editions of the following Standards:
 - BS 715 - Specification for metal flue boxes for gas-fired appliances not exceeding 20kW.
 - BS EN 1856 Part 1 - Chimneys – Requirements for metal chimneys.
 - BS EN 1806 - Chimneys – Clay/ceramic flue blocks.
 - BS 5440 Part 1 - Flueing and ventilation for gas appliances of rated input not exceeding 70 kW net (1st, 2nd and 3rd family gases).
Specification for installation of gas appliances to chimneys and for maintenance of chimneys.
 - BS 5440 Part 2 - Installation and maintenance of flues and ventilation for gas appliances of rated input not exceeding 70 kW net (1st, 2nd and 3rd family gases).
 - BS 6891 - Installation of low pressure gas pipework of up to 35mm (R1 ¼) in domestic premises (2nd family gas) - specification.
 - BS 1251 - Fireplace components.

INSTALLER GUIDE

BS 5871 Part 1 - Specification for the installation and maintenance of gas fires, convector heaters, fire/back boilers and decorative fuel effect gas appliances. Gas fires, convector heaters, fire/back boilers and heating stoves (2nd and 3rd family gases).

BS EN 1858 - Chimneys – Components – Concrete flue blocks.

BS EN 15287 Part 1 - Chimneys. Design, installation and commissioning of chimneys. Chimneys for non-room sealed heating appliances.

- In England and Wales, the current edition of the Building Regulations issued by the Department of the Environment and the Welsh Office.
- In Scotland, the current edition of the Building Standards (Scotland) Regulations issued by the Scottish Executive.
- In Northern Ireland, the current edition of the Building regulations (Northern Ireland) issued by the Department of the Environment for Northern Ireland.
- In the Republic of Ireland the installation must be carried out by a competent person and installed in accordance with:
 - a) The current edition of IS 813 “Domestic gas installations”.
 - b) All relevant national and local rules in force.
 - c) The current building regulations.

Where no specific instructions are given, reference should be made to the relevant British Standard Code of Practice.

5.2 Ventilation.

Normal adventitious ventilation is usually sufficient to satisfy the ventilation requirements of this appliance. In GB reference should be made to BS 5440 Part 2 and in IE reference should be made to the current edition of IS 813 “Domestic gas Installations” which makes clear the conditions that must be met to demonstrate that sufficient ventilation is available.

5.3 The Atmosphere sensing device (ASD).

The appliance is fitted with an A.S.D (Atmosphere sensing device). If the appliance closes down after a period of operation for no apparent reason, the consumer should be informed to stop using the appliance until the installation and appliance have been thoroughly checked. The A.S.D will shut the appliance down if an unacceptable amount of harmful products of combustion accumulate. Under no circumstances should the A.S.D be altered or bypassed in any way. Only genuine manufacturer’s replacement parts should be fitted.

5.4 Room considerations.

5.4.1 The appliance must not be installed in any room, which contains a bath, or shower or where steam is regularly present.

INSTALLER GUIDE

5.4.2 An extractor fan may only be used in the same room as this appliance, or in any area from which ventilation for the appliance is taken, if it does not affect the safe performance of the appliance. Note the spillage test requirements detailed further on in this manual. If the fan is likely to affect the appliance, the appliance must not be installed unless the fan is permanently disconnected.

5.4.3 Note that soft wall coverings (e.g. embossed vinyl, etc.) are easily affected by heat. They may scorch or become discoloured when close to a heating appliance. Please bear this in mind when installing.

5.5 Chimney preparation.

5.5.1 If the appliance is intended to be installed to a chimney that was previously used for solid fuel, the flue must be swept clean prior to installation. All flues should be inspected for soundness and freedom from blockages.

5.5.2 Any chimney dampers or restrictors should be removed. If removal is not possible they must be fixed in the open position.

5.6 Fireplace preparation.

5.6.1 The appliance can be fitted to a purpose made proprietary class “O” 150°C surround.

5.6.2 If the fireplace opening is an underfloor draught type, it must be sealed to stop any draughts.

5.6.3 The front of the fireplace should be flat over an area sufficient to ensure a good seal with the closure plate. The flat surface should extend for a height equal to that of the closure plate plus 20mm and for a width equal to that of the closure plate plus 40mm.

5.6.4 If the fire is to be fitted against a wall with combustible cladding, the cladding must be removed from the area shown in figure 1.

5.6.5 The space between the fireplace front face and the back of the fascia must not be filled in.

5.6.6 Do not use the back of a fire surround or marble to reduce the opening. This may cause cracking of the surround back or marble.

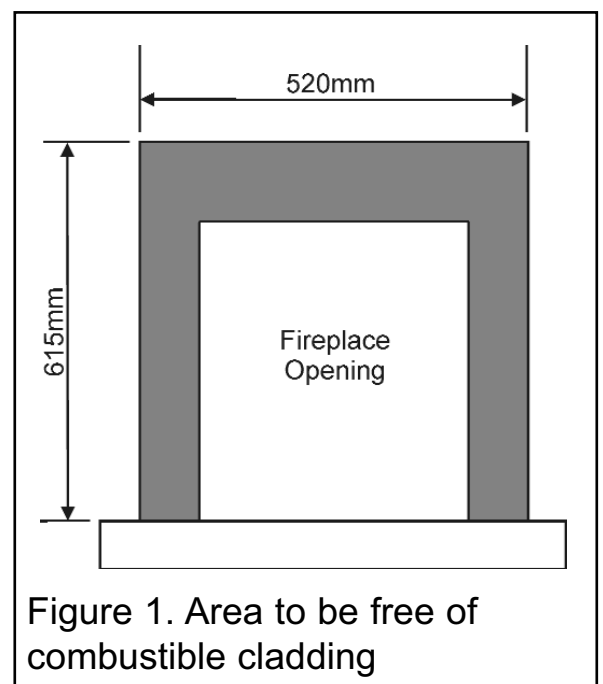
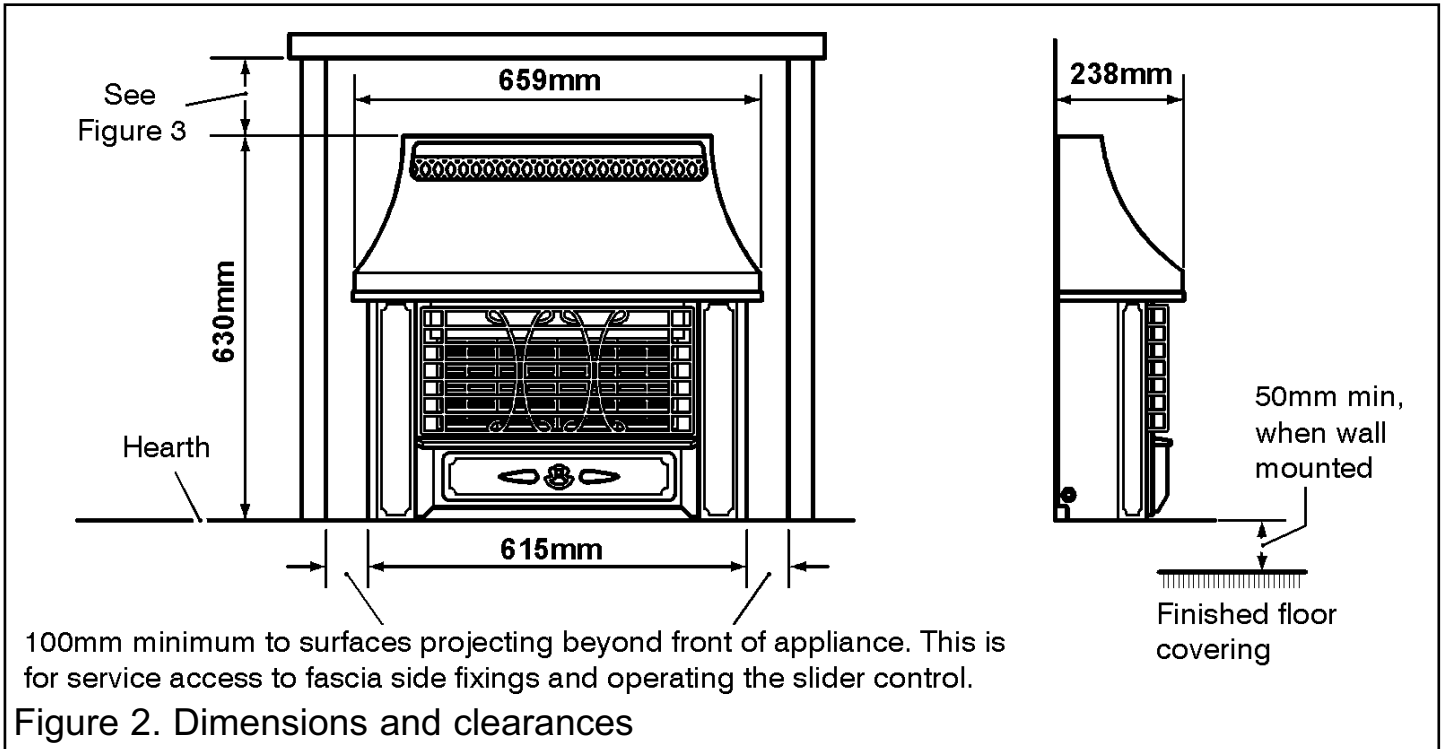


Figure 1. Area to be free of combustible cladding

INSTALLER GUIDE

5.7 Fireplace clearances.

5.7.1 To meet temperature requirements the minimum allowable distance from the outside of the appliance fascia to a corner wall having combustible material or any other combustible surface which projects beyond the front of the appliance is 100mm at either side (See figure 2). Although no side clearance is necessary to non-combustible surfaces we recommend a 100mm clearance for service access to the fascia side fixings and for operating the slider control.



5.7.2 Allow a minimum clearance of **95mm** from the top surface of the appliance fascia to the underside of any shelf whether it is made from **combustible or non-combustible** materials. This clearance is necessary to allow the fascia to be lifted off for servicing.

For a shelf made from **wood or other combustible materials deeper than 150mm**, the minimum clearance must be as below.

- For a shelf up to 150mm deep: Minimum clearance = 95mm.
- For a shelf deeper than 150mm: 95mm + 12.5mm for every 25mm depth over 150mm (See figure 3).

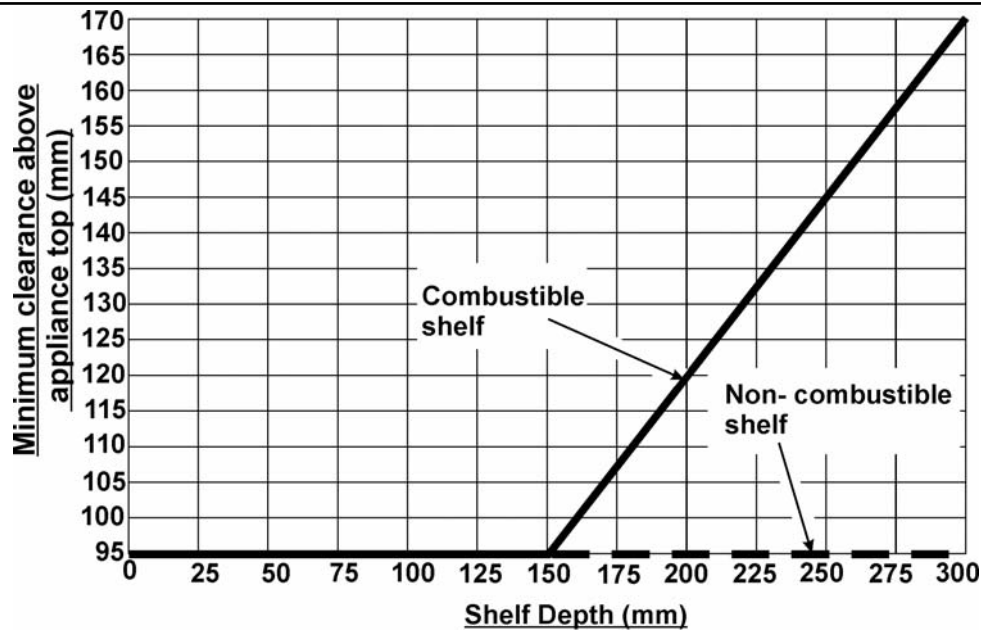


Figure 3. Shelf clearances

5.8 The flue spigot.

5.8.1 The flue spigot and any spigot extension must be capable of passing through the closure plate by at least 38mm with a minimum clearance of 50mm from its open end and the nearest vertical surface (See figure 4).

5.8.2 A spigot extension is available (Valor part number 0595191). The spigot extension is 120mm in length and it is recommended that it be fitted 20mm onto the spigot. This will give a total spigot length of 150mm from the rear fixing plane of the fire. When fitted this shall extend through the closure plate for at least 38mm and have a minimum clearance of 50mm from its open end and the nearest vertical surface.

5.9 The hearth.

The appliance must be mounted on a non-combustible hearth **except when the appliance is elevated 50mm above the finished floor as in figure 4** (N.B. conglomerate marble hearths are considered as non-combustible). The hearth must be at least 680mm wide x 300mm deep. The hearth material must be at least 12mm thick. The periphery of the hearth (or fender) should be at least 50mm above floor level to discourage the placing of carpets or rugs over it.

5.10 Installation options.

In the United Kingdom, as supplied, this appliance can be installed in the following situations:

- **Conventional fireplace (Brick built).**

A conventional fireplace catchment space must be as shown in figure 4.

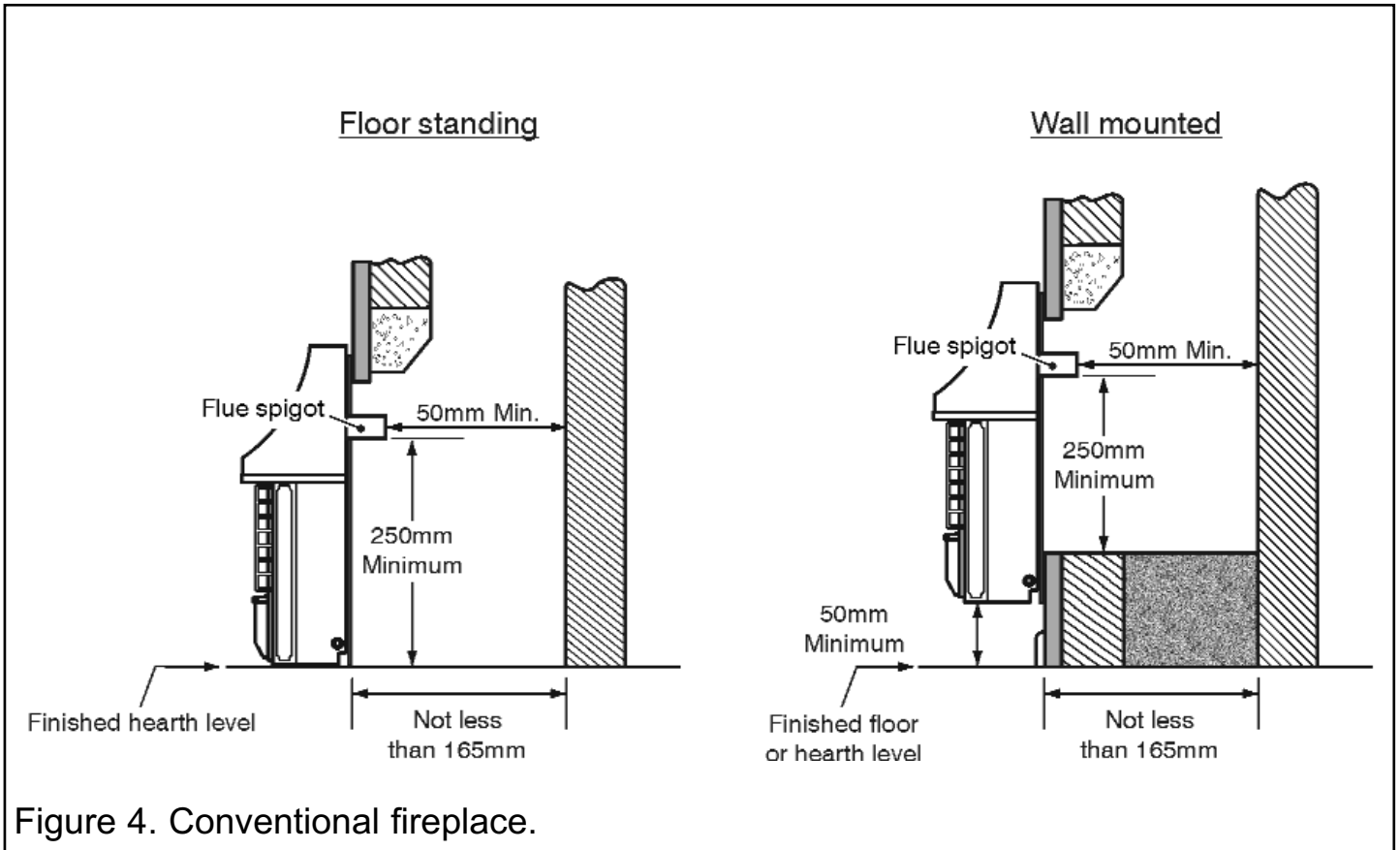


Figure 4. Conventional fireplace.

- **Precast flue.**

The appliance can be installed to a fireplace that has a properly constructed precast concrete or clay flue block system conforming to BS EN 1858 or BS1289. The appliance is suitable for installations conforming to older versions of BS1289 as well as the current standards. The flue blocks must have a cross-sectional area not less than $13,000\text{mm}^2$. Older editions of BS1289 required a cross-sectional area of $13,000\text{mm}^2$. The current revision of the standard requires $16,500\text{mm}^2$. This appliance is suitable in both cases.

The chimney should be one or two storeys high but not less than 3m vertical height and be correctly terminated. No mortar fangs between the blocks should be extruded into the flue way. If raking blocks are used, they must be fitted in accordance with the manufacturer's instructions. Mortar must not be allowed to drop down and accumulate in the raked positions.

INSTALLER GUIDE

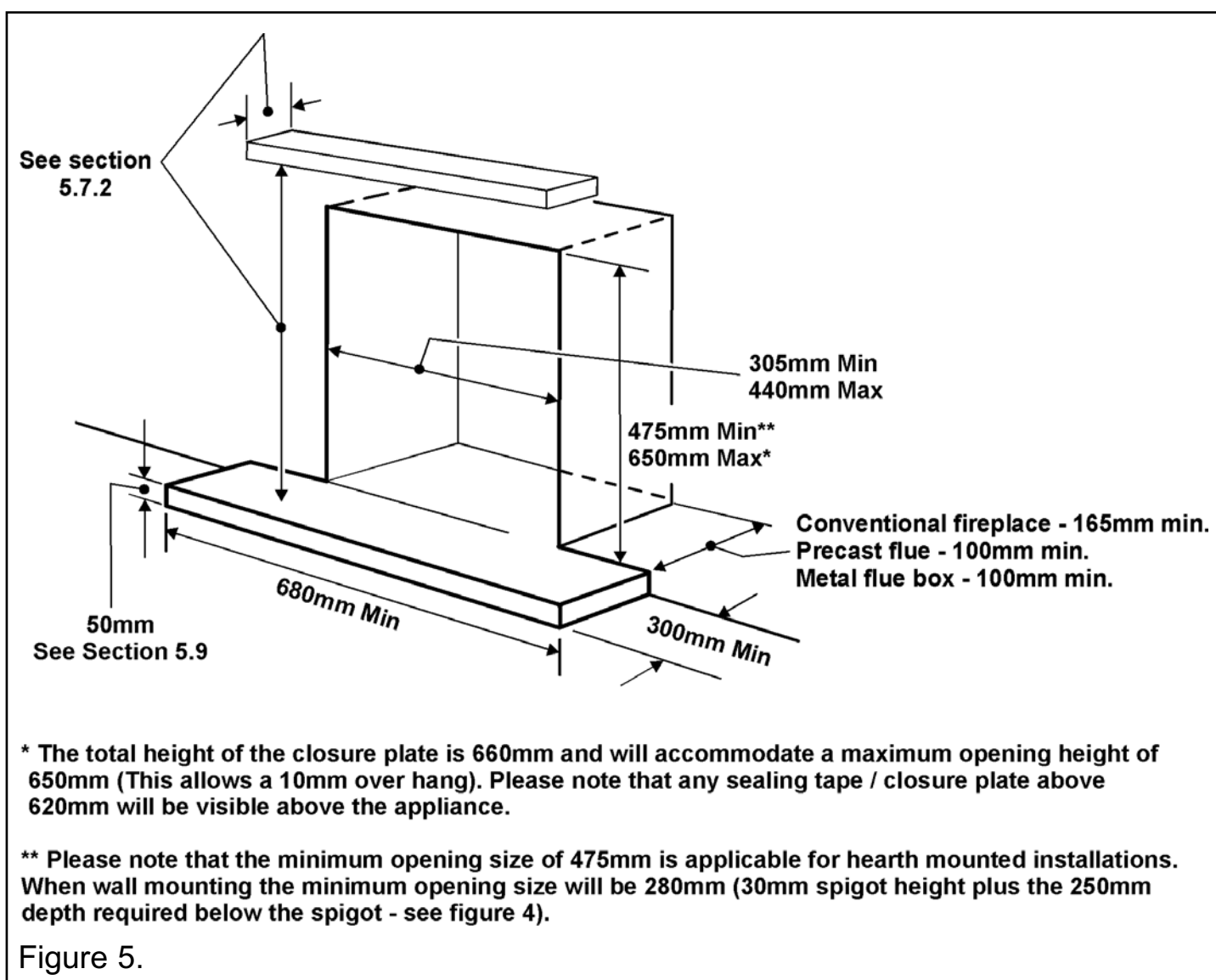
● Metal flue box.

The appliance can be installed to a metal flue box conforming to BS 715 Section 6 (For gas fires to BS 7977-1) having a minimum internal depth of 100mm. Incombustible mineral wool insulation of not less than 50mm thickness must be applied to the top surface of the metal flue box.

In addition the fire has been tested for use with a 'Rite Vent' or 'Selkirk' Flue Gas Collector Box. The opening dimensions may differ from those shown below. It is **IMPORTANT** that each installation passes a properly conducted Spillage test as in section 10.

5.11 Fireplace opening size.

The fireplace opening must be within the dimensions shown in figure 5.



INSTALLER GUIDE

5.12 The flue.

The following flues are suitable:

- 225mm x 225mm conventional brick flue.
If a flue liner is used, it must be a minimum of 125mm diameter. The liner must be sealed to the surrounding area above the fireplace opening and to the top of the chimney. An approved terminal must be fitted.
- A properly constructed precast flue conforming to BS EN 1806, BS EN 1858 or B.S 1289.
- A flue pipe with a minimum diameter of 127mm. See BS EN 15287-1 for suitable materials. Metal flue pipes must comply with BS EN 1856 part 1.
- The flue must conform to BS 5440: Part 1 in design and installation.
The flue, measured from the bottom of the fireplace opening to the bottom of the terminal, shall be not less than 3m in actual vertical height. When calculated in accordance with BS 5440: Part 1 Annex B, the minimum **equivalent** height of the flue shall be 2.0m of 125mm dia. flue pipe.
- The flue must be clear of any obstruction and its base must be clear of debris.
- The flue must be completely sealed so that combustion products do not come into contact with combustible materials outside the chimney.
- The flue must serve only one fireplace.
- Proprietary terminals must comply with BS EN 1858, BS EN 1806 or BS 1289 and older versions of BS 715. Any terminal or termination must be positioned in accordance with BS 5440 Part 1 to ensure that the products of combustion can be safely dispersed into the outside atmosphere. Where the appliance is connected to an unlined brick chimney it is generally unnecessary for the chimney pot to be replaced or for a terminal to be fitted unless the flue has a diameter smaller than 170mm.

6. PRE-INSTALLATION PREPARATION

6.1 Unpacking.

This appliance is supplied completely assembled except for:

- 4 radiants which are in a cardboard pack inside the radiant box.
- The closure plate.
- Literature pack.
- An olive & olive nut for gas line connection.
- 9V (PP3 / 6AM6 / 6LR61) Battery.

Remove all the items carefully to prevent damage. Some items may be contained in the packaging fittings - Examine the packaging carefully before discarding. Check that all the items are present and undamaged.

6.2 Appliance preparation.

1. Stand the fire upright.
2. Remove the two transit screws from near the top of the back panel wings (See figure 6).

INSTALLER GUIDE

3. Remove the two knurled fascia retaining screws located at the rear of the fascia near the bottom.
4. Gently pull the base of the fascia forward, then lift the fascia up and forward to clear the rear top location. Store in a safe place.
5. Remove the radiant pack by gently lifting and pulling forward from the bottom.
6. Remove the cardboard strip from the top of the burner area.
7. Remove any protective film from all the bright trims.

6.3 Fitting the battery.

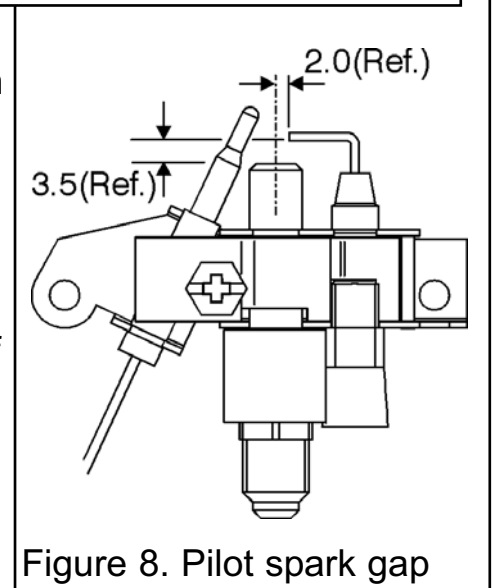
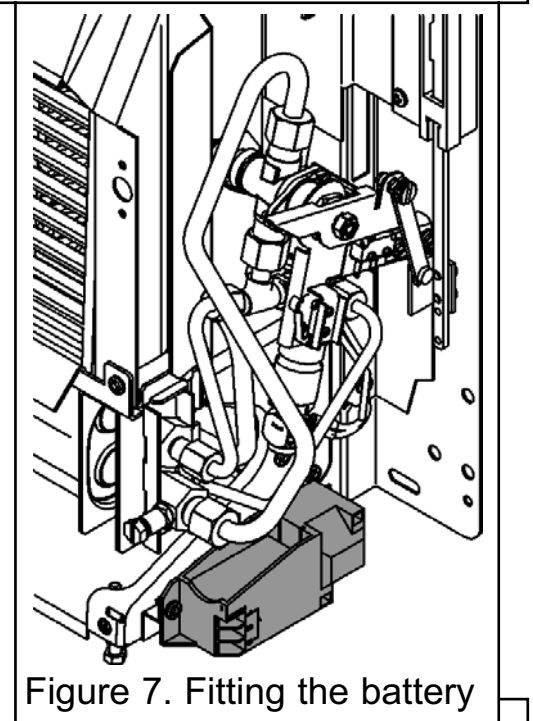
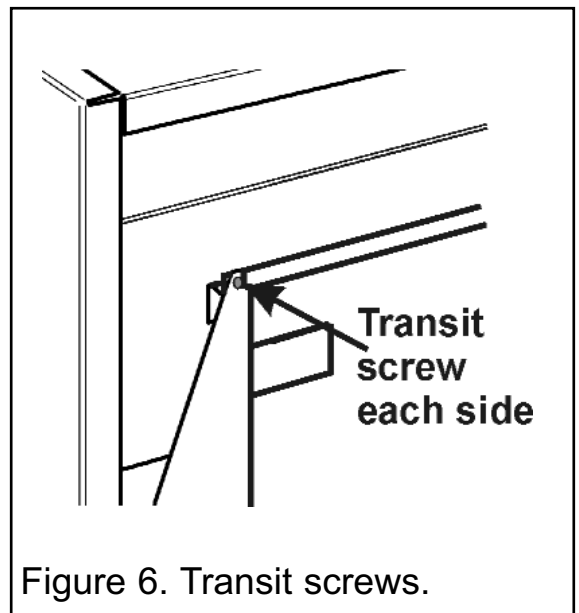
Fit the battery to the ignition block located to the bottom right of the fire (See figure 7). The locations for the +ve and -ve terminals are marked on the battery holder.

6.4 Ignition.

Before attempting to install, it is worth checking that the electronic spark ignition system operates satisfactorily. To initiate the spark, slide the control knob down as far as it will go and retain in this position. Sparks should be generated between the electrode and thermocouple tip on the pilot unit. If there are no sparks or incorrect tracking, check the spark gap between the electrode wire and thermocouple tip (See figure 8). If the spark gap is correct, check the ignition wiring.

6.5 Fireplace flue pull.

Close all doors and windows in the room in which the appliance is to be installed. After confirming with a match that smoke is drawn into the flue, light a 13 gram smoke pellet and check that there is a definite flow through the flue. Verify outside that the smoke exits from one terminal only and that the termination is suitable. Observe, where possible, upstairs rooms and loft spaces for signs of escaping smoke indicating a defective flue. If there is not a definite flow warm the flue for a few minutes and repeat the smoke pellet test. If there is still no definite flow the flue may need remedial work – **Do not fit the appliance until there is a definite flow through the flue.**



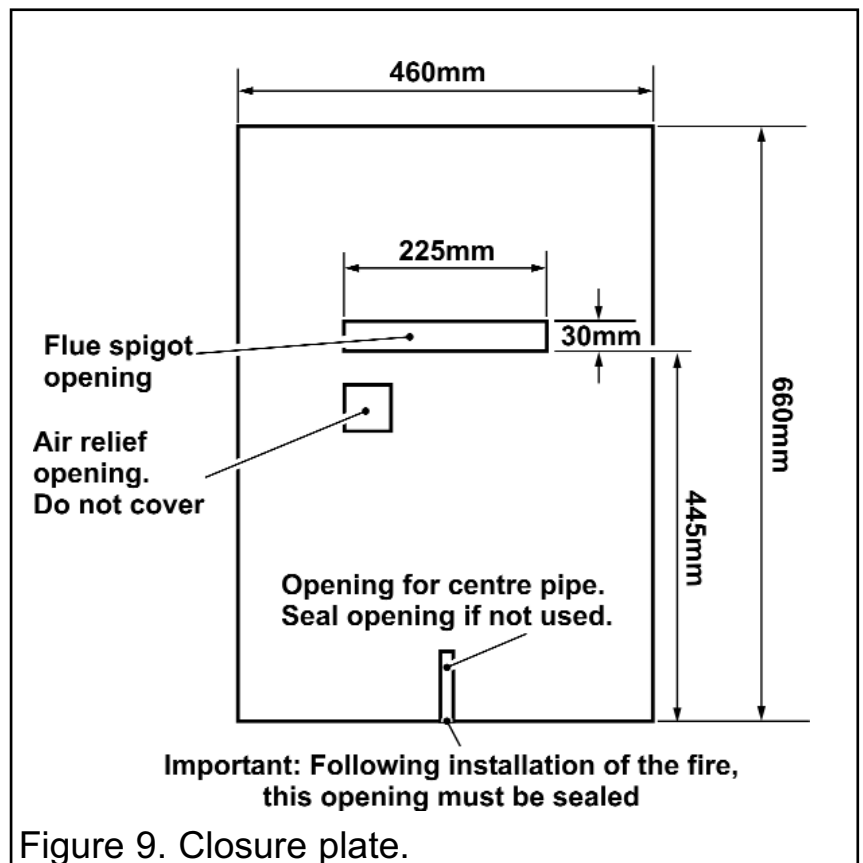
INSTALLER GUIDE

6.6 Fitting the closure plate.

- The spigot opening in the closure plate has two 'flange' sections. **Flange 1** is to be left as supplied. Fold **Flange 2** along the perforated line. **The closure plate has an opening at the bottom for a central gas feed pipe. The gap between the pipe and this opening should be sealed with tape after connection. If a central feed pipe is not required the opening should be completely sealed with tape.**

The closure plate dimensions will now be as shown in figure 9.

- The closure plate must be fitted and sealed to the fireplace opening and hearth (where applicable) using a suitable heat resistant material. If necessary cut the closure plate but make sure that it overlaps the fireplace opening sufficiently to allow satisfactory sealing. Make sure that the square air relief opening is fully within the fireplace opening.
- Check the flue pull with closure plate fitted by applying a lighted match or smoke match to the flue spigot opening in the closure plate and observe the smoke. If there is a definite flow continue with the installation. If not check the fitting of the closure plate. The fireplace flue pull check described in section 6.5 should have confirmed that the fireplace itself is satisfactory.



7. APPLIANCE INSTALLATION

7.1 Installing to a hearth.

1. Place the fire centrally on the hearth making sure that the spigot lines up with the spigot hole in the closure plate. Gently slide the appliance into place, **being careful not to scratch the hearth**. The spigot must enter the closure plate to a depth of at least 38mm.

2. Level the fire by loosening the lock nuts and turning the levelling screws in the feet up or down as required while they bear on the hearth. When the fire is level and square to the wall, tighten the lock nuts.

7.2 Wall mounting.

The fixing hole positions in relation to the flue spigot opening are shown in figure 10. Mark these positions on the wall. The positions can alternatively be marked by placing the fire in position and marking the wall through the holes in the back panel. Drill and plug the holes using no.10 wall plugs. Place the fire in position and secure with four no.10 x 2in. wood screws.

7.3 Gas supply connection.

8mm rigid tubing must be used to connect the gas supply to the appliance. An olive and nut are provided for connection to the inlet "T" connector on the appliance. The connector can be rotated to allow connection from either side or the rear. The connector includes a valve for isolating the gas supply, ensure that the isolating valve is open then replace the end cap.

Pressure check the installation pipework for gas soundness. In the United Kingdom check in accordance with the current edition of BS6891. In the Republic of Ireland refer to the current edition of IS 813 "Domestic gas installations".

7.4 Radiants installation.

Important: Fit the radiants ensuring that their rear face rests against the horizontal ribs in the rear panel. There will be a small gap between their bottom front edges and the retaining channel at the front of the radiant box.

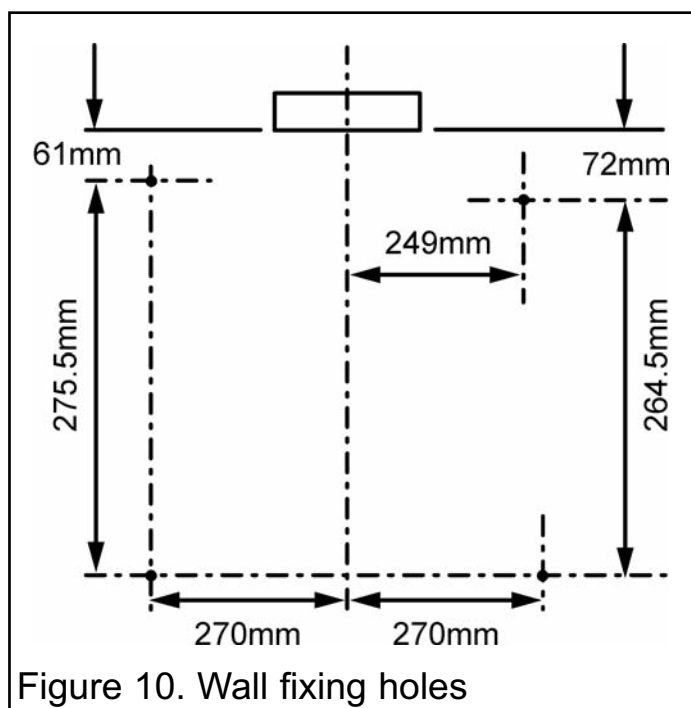


Figure 10. Wall fixing holes

INSTALLER GUIDE

7.5 Flue restrictor adjustment.

The appliance has an integral adjustable flue draught restrictor. This is supplied set in the fully open (unrestricted) position and in most cases no adjustment should be necessary. It can be reset to a fully restricted position if the flue draught is excessive. The restrictor must remain in its fully open position if the flue has an equivalent height of 4m or less (as calculated in accordance with BS 5440: Part 1 Annex B). Generally we recommend the restrictor is NOT fitted where a precast flue is used, however, certain flues may work sufficiently to warrant its use. There may however, be circumstances where closing the restrictor causes the fire to fail the spillage test. In such cases the restrictor will have to be re-opened. After opening conduct the spillage check again.

To close the restrictor:

1. Loosen the screw situated behind the cut-out in the black upper heat shield. Do not fully remove the screw (See figure 11).
2. Push the restrictor firmly down as far as it will go. The top of the slot in the restrictor bracket should touch the screw.
3. Fully tighten the screw.

If closing the restrictor causes the fire to fail the spillage test it will have to be reopened.

To open the restrictor:

1. Loosen the screw situated behind the cut-out in the black upper heat shield. Do not fully remove the screw (See figure 11).
2. Push the restrictor firmly up as far as it will go. The bottom of the slot in the restrictor bracket should touch the screw.
3. Fully tighten the screw.

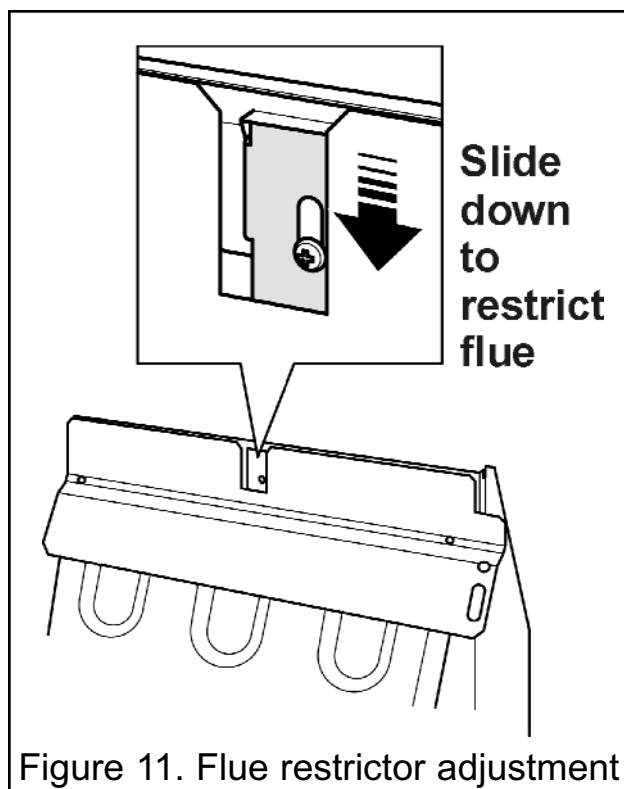


Figure 11. Flue restrictor adjustment

8. CONTROL AND PRESSURE CHECKS

Please note:

When operating the fire for the first time, some vapours may be given off which could set off smoke alarms in the vicinity. These vapours are quite normal with new appliances. They are totally harmless and will disappear after a few hours use.

8.1 Check control settings.

1. Make sure the slider button is at the off (O) position (Topmost position).
2. Slide the button to the bottom. This is the ignition/ low (L) position. Retain in this position to ignite the pilot. The pilot flame can be seen through a hole immediately in front of the centre radiants. The centre radiants should ignite within 4 seconds of the

INSTALLER GUIDE

pilot igniting and will be fully on. Keep at this position for a further 10 seconds to allow the pilot flame to stabilise.


3. Release the button. The button should automatically spring up by approximately 10mm and the centre radiants should remain fully on. *If the flames go out at this stage or when checking the rest of the setting positions, try the full lighting sequence again. If the flames fail after two attempts, investigate the pilot unit. If for any reason the slider control does not spring up, raise the slider to the off (O) position (Topmost position) and investigate why the slider is not operating correctly.*

4. Slide the button up to the medium (M) setting, you should feel a check to the button movement at this position. The outer radiants should light on their low setting.

5. Slide the control button up again to the high (H) setting, you should feel a check to the button movement at this position. The outer radiants should now be on their high setting.

6. Slide the control button up again to off (O) position. Both pilot and all radiants should go out. While cooling the radiants may make some crackling noises. This is quite normal.

7. The control settings are:

Control Positions	Radiants Condition
IGNITION / LOW ( L)	Ignition / Centre radiants fully on. Outer radiants off.
MEDIUM (M)	Centre radiants fully on. Outer radiants on low.
HIGH (H)	All radiants fully on.
OFF (O)	Pilot and all radiants off.

8.2 Flame supervision and spillage monitoring system.

This pilot unit includes a system that will automatically shut off the gas supply if the pilot flame goes out or if there is insufficient oxygen due to spillage or poor ventilation. Check that the system operates properly as follows:

1. Light the appliance. Set the slide control to the high (H) position and leave for one minute.

2. Set the control to the low (L) position. Isolate the gas supply at the inlet 'T' connector. The pilot and main burner will go out. **Note the time when the pilot goes out.** Listen for a snap sound at the gas tap. **Note the time when the sound is heard.** This sound is caused by an electromagnetic valve shutting off the gas supply through the tap. The valve is located in the body of the tap. The valve should operate **within 60 seconds of the pilot going out.** If the valve does not operate within this time limit do not allow the appliance to be used until the fault has been corrected. **This monitoring system must not be adjusted, bypassed or put out of operation.**

This monitoring system, or any of its parts, must only be exchanged using authorised parts.

3. Set the slider to the off (O) position.

INSTALLER GUIDE

4. Open the isolating valve on the inlet 'T' connector. Screw on the end cap and test for leaks.

8.3 Check reference pressure.

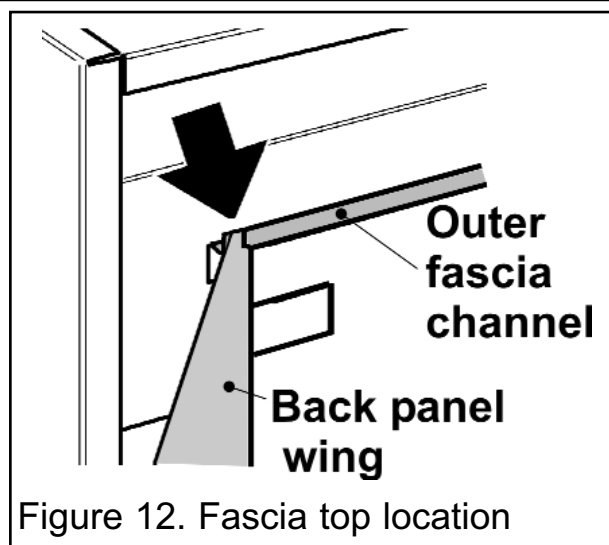
The appliance is pre-set to give the correct heat input at the inlet pressure shown in section 4 of this manual. No adjustment is necessary.

1. Make sure the slider button is at the off (O) position (Topmost position).
2. Remove the fascia (if necessary). To do this, remove the two knurled fascia retaining screws located at the bottom rear sides of the fascia. Gently pull the bottom of the fascia forward then lift the fascia up and forward to clear the rear top location.
3. Check the burner pressure by fitting a pressure gauge at the test point located on the lower injector carrier at the right hand side of the burner. Check the pressure with the appliance alight and set at the high (H) setting.
4. After checking, turn off the appliance. Remove the pressure gauge and replace the test point sealing screw. Relight the appliance. Turn to the high (H) setting and test around the sealing screw for gas soundness with a suitable leak detection fluid.
5. If all the above checks are satisfactory, continue with the installation. If not, check the control and components as described in the servicing and parts replacement section of this manual.

9. FASCIA FITTING

Before continuing with the installation of the fascia it is important that the information contained on the back pages of the Owner guide is completed.

- Place the fascia over the engine. Make sure that the channel near the top of the rear of the fascia locates fully into the wings of the engine back panel (See figure 12).
- Refit the two knurled fascia retaining screws at the rear of the fascia near the bottom.

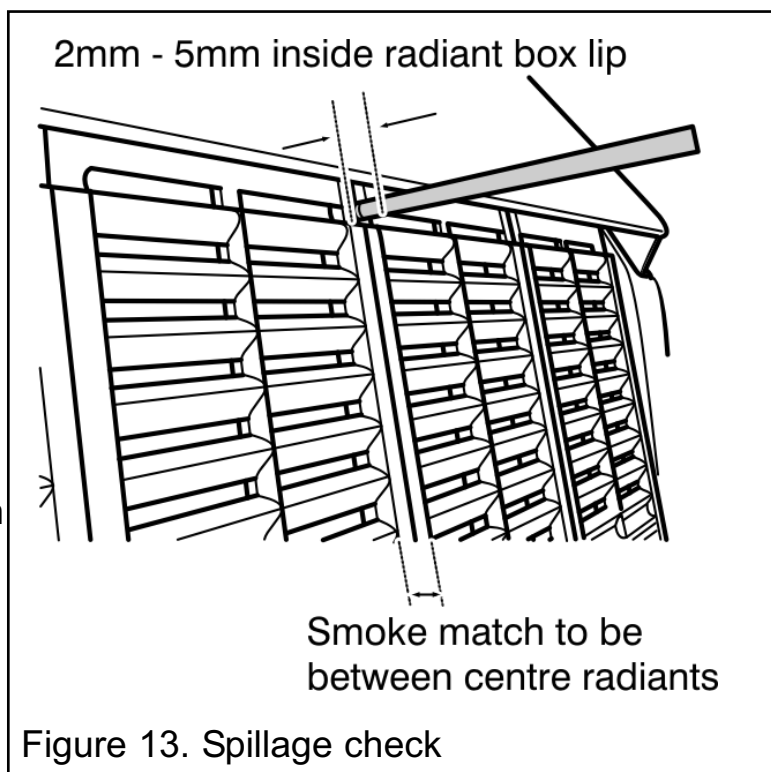


INSTALLER GUIDE

10. SPILLAGE CHECK

A spillage check must be made before leaving the installed appliance with the customer. Make this with all radiants and complete fascia in position.

1. Close all doors and windows in the room containing the fire.
2. Light the appliance and set the control knob to the high (H) setting.
3. Leave the appliance on for five minutes.
4. Place a smoke match tube (with lighted match) horizontally underneath the radiant box but touching the top lip of the box. The tube should be between the two centre radiants. The tip of the match should project between 2mm and 5mm beyond the lowest edge of the radiant box lip (See figure 13).
5. The installation is satisfactory if the smoke is drawn into the appliance. If the smoke is not drawn into the appliance, leave the appliance alight at the maximum setting for a further ten minutes and then repeat the test. If the smoke is still not drawn into the appliance, inspect the sealing of the closure plate. If the sealing is satisfactory but the appliance is installed with the flue restrictor in the closed position (See section 7.5), reopen the restrictor, reseal the appliance and retest. **If smoke is still not drawn into the appliance, disconnect the appliance and seek expert advice.**
6. If the above test is satisfactory, open all internal connecting doors, hatches, etc. in the room. Keep all doors and windows that open to the outside of the building closed. Recheck for spillage as above. If an extractor fan is installed in the same room as the appliance or a connecting room, check that spillage does not occur with the fan operating and all doors and other openings between the fan and the appliance open. If the test is satisfactory continue with the installation. **If the test is not satisfactory disconnect the appliance and advise the customer of the cause of failure.**



INSTALLER GUIDE

11. FINAL REVIEW

- **COMPLETE THE INFORMATION IN THE WARRANTY AND SERVICE SECTION OF THE OWNER GUIDE (See last pages of the OWNER guide).**
- Make sure that the dress guard is securely in position.
- Recheck the operation of the fire at all control positions.
- Visually inspect the appliance. Clean off any marks incurred during installation.
- Advise the customer how to operate the fire.
- Explain to the customer that the appliance has a flame failure and spillage monitoring system. Point out the explanation of this system shown in the owner guide. Advise that if the fire goes out for any reason, wait at least three minutes before relighting. Stress that if the monitoring system repeatedly shuts off the fire, the appliance should be switched off and a specialist should be consulted.
- Advise that the dress guard can be removed to replace the radiants.
- Advise that the fire may give off a slight odour while new. This is quite normal and it will disappear after a short period of use.
- Advise that any cleaning must only be carried out when the fire is off and completely cold.
- Advise the customer that they should read the owner guide before operating the fire and always follow the advice in the section headed “Cleaning your fire”.
- Advise the customer that the appliance can be lit with a match if necessary by inserting it through the opening at the bottom of the fascia (See the ‘Operating your fire’ section in the owner guide).
- Recommend that the appliance should be serviced and the chimney inspected by a competent person (GAS SAFE REGISTER operative) at least annually. If the appliance is in premises in the United Kingdom occupied by a tenant, point out that by law a landlord must have any gas appliance, flue and pipework which is situated in a tenant’s premises checked for safety at least every 12 months.
- Mention that the radiants may become brown with use, that this is quite normal and has no adverse effect.
- **Inform the user that the serial number for the fire is on a label at the bottom of the fascia, usually on the right side.**
- Hand this guide to the customer.

INSTALLER GUIDE

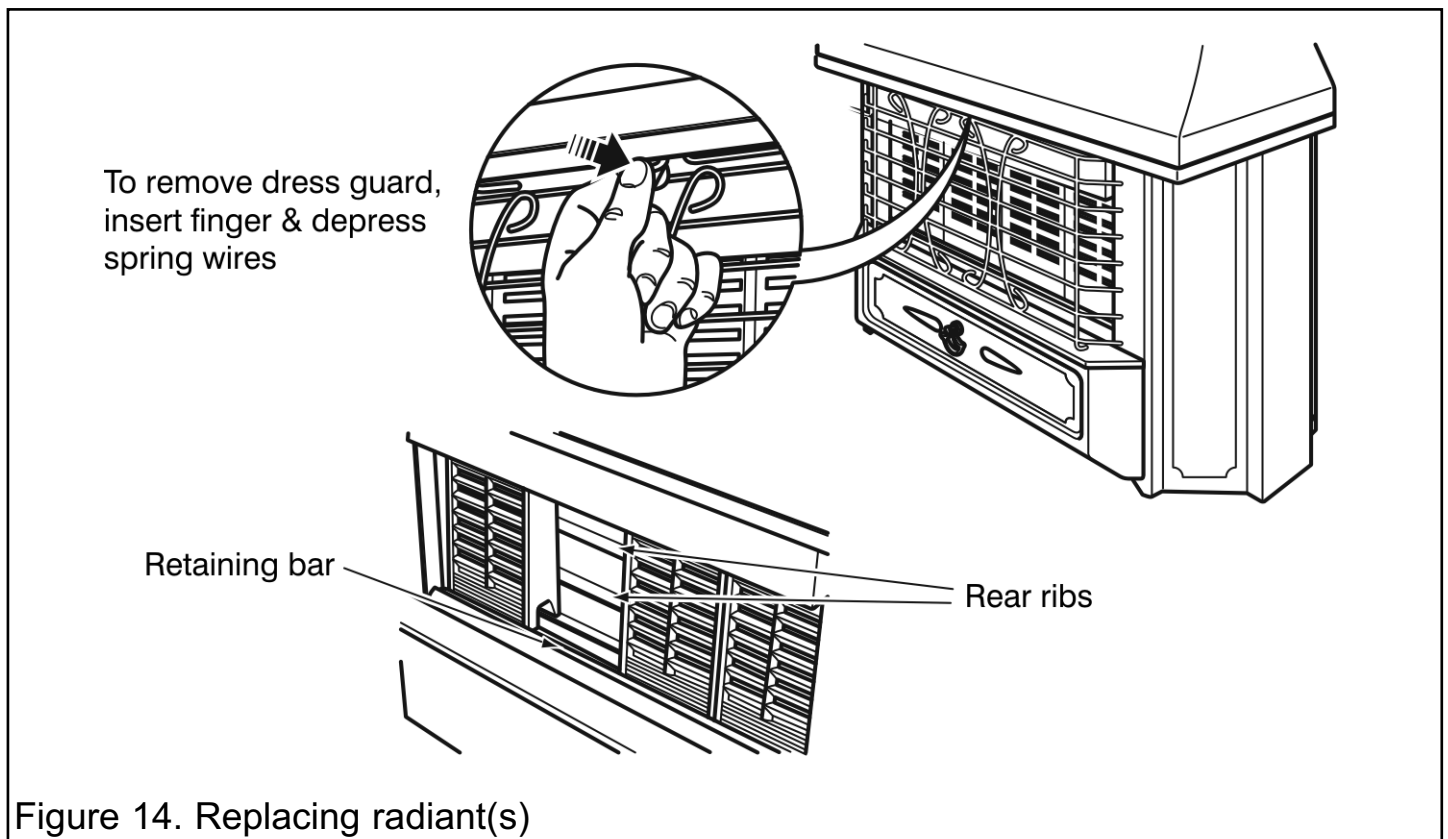
12. SERVICING AND PARTS REPLACEMENT

- Always turn off the gas supply and allow the appliance to cool completely before commencing any servicing (The appliance inlet “T” connector incorporates an isolating valve).
- It is recommended that, at least once a year, the appliance is disconnected and the catchment space behind the closure plate checked and cleared of any debris. The closure plate must be resealed to the wall after checking.
- Check that soot or debris is not impairing the electrode spark or pilot burner.
- Check that soot or debris is not blocking any of the holes in the main burner.
- **Always test for gas soundness and spillage after servicing the appliance.**

12.1 To replace radiant(s).

Always use the correct type of replacement radiant. Ask for Valor part number 5132071 (Single Radiant).

- Remove the dress guard by pressing down the two hooks at the top. Tilt the guard forward and lift out (See figure 14).
- Lift the radiant upward to clear the metal retaining bar then pull out bottom first.
- Fit the new radiant by inserting its top under the top lip of the radiant box then swing the bottom of the radiant over and behind the retaining bar. **It is important that that the rear face of the radiants rest against the horizontal ribs in the rear panel. There will be a small gap between their bottom front edges and the retaining channel at the front of the radiant box.**



INSTALLER GUIDE

- Replace the dress guard. Locate the bottom of the dress guard in the two holes in the bottom panel apron. Push the guard back so that the two spring projections at the top of the guard engage in the slots under the front decorative canopy.

12.2 To remove the fascia.

1. Remove the two knurled fascia retaining screws located at the bottom rear sides of the fascia.
2. Gently pull the bottom of the fascia forward then lift the fascia up and forward to clear the rear top location.
3. Replace in the reverse order. Make sure that the channel near the top of the rear of the fascia locates fully into the wings of the engine back panel (See figure 12) in the installation section.

Make sure that the radiants are not dislodged when refitting the fascia.

12.3 To remove the electronic igniter unit.

1. Remove the fascia as in section 12.2.
2. Remove the battery from the igniter unit.
3. Note the location of the leads to the igniter unit then disconnect them ensuring that it is the tags that are held and not the leads. Pulling on the leads may cause damage.
4. Unscrew and remove the two fixing screws that secure the igniter unit to the mounting bracket.
5. Replace in the reverse order.

12.4 To remove the pilot unit.

1. Remove the fascia as in section 12.2.
2. Disconnect the thermocouple connection at the bottom of the shut-off valve.
3. Disconnect the electrode lead from below the pilot electrode.
4. Disconnect the pilot pipe from the pilot.
5. Carefully remove the pilot unit.
6. Replace in the reverse order ensuring that the pilot injector is supported to prevent the body from rotating whilst tightening the pilot pipe.

Note: 1 The pilot unit must be replaced as a whole assembly. Its individual components are not separately replaceable.

2. Once removed, ensure that the dust cage is cleaned before refitting.

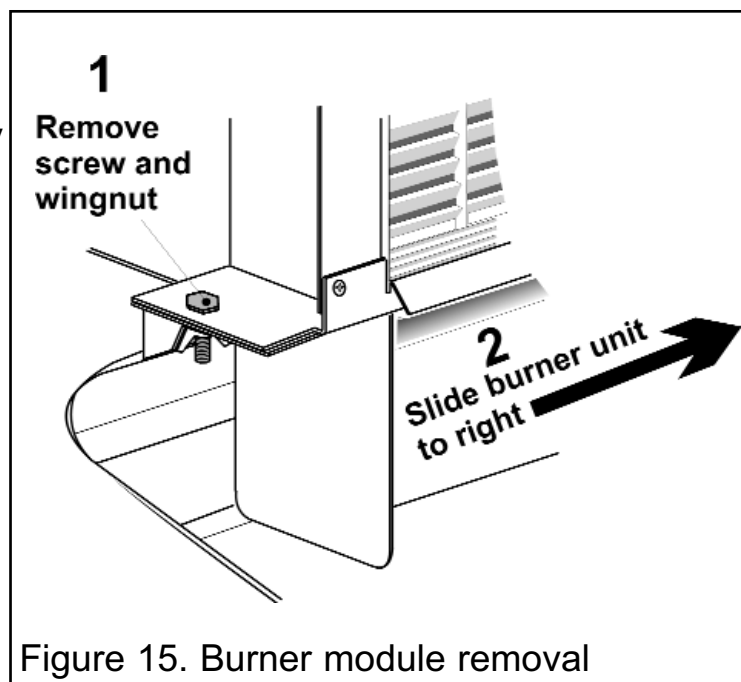
12.5 To remove the injectors.

1. Remove the fascia as in section 12.2.
2. Support the injector carrier to avoid straining the pipe work. If working on the lower injector do NOT hold the pressure test point connector as this may cause damage.
3. Unscrew and remove the injector.
4. When replacing the injector place a very small amount of suitable high temperature (100°C - 150°C) sealant on the thread of the injector. Replace in reverse order being careful not to get any sealant onto the ends of the injector as this may cause the injector to become blocked.

INSTALLER GUIDE

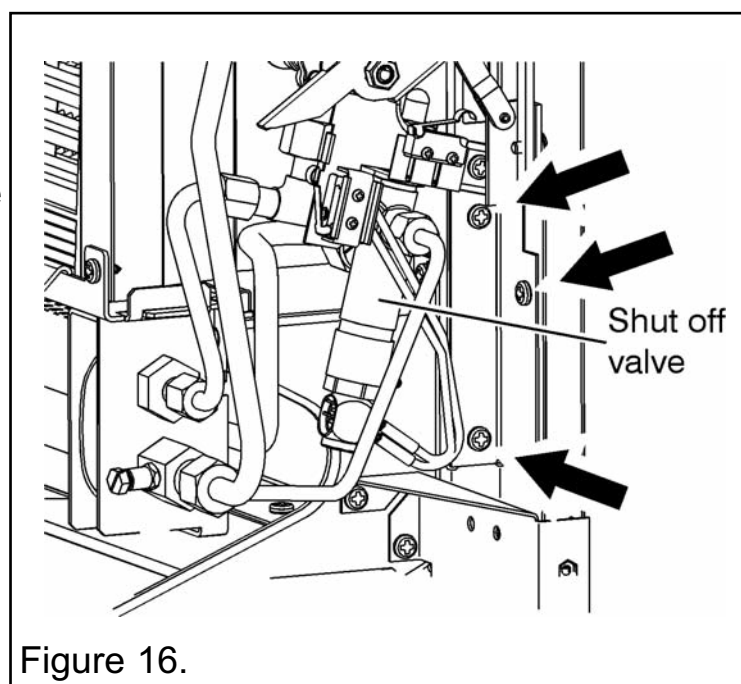
12.6 To remove the burner only.

1. Remove the fascia as section 12.2.
2. Isolate the gas supply.
3. Detach and remove the upper and lower injector pipes. Do NOT hold the pressure test point connector as this may cause damage.
4. Unscrew and remove the two screws that secure the pilot unit to the burner.
5. Remove the battery from the electronic igniter unit.
6. Detach the left end of the burner module from the radiant box by removing one screw and a wing nut (See figure 15).
7. Carefully slide the burner module to the right to free it from the right side of the radiant box (See figure 15).



12.7 To remove the complete burner module, pipes and pilot.

1. Remove the fascia as in section 12.2.
2. Isolate the gas supply.
3. Remove the battery from the electronic ignition unit.
4. Support the inlet 'T' connector to avoid straining the pipework and disconnect the appliance.
5. Disconnect the slider control by removing the knurled screw from the connector arm. Rotate the control pivot bracket fully anticlockwise.
6. Make a note of where the igniter unit leads are located, then remove the two microswitch leads and ignition lead from the igniter unit; pull the tags and not the leads as this may cause damage.
7. Unscrew and remove the three screws from the rear of the assembly (See figure 16).
8. Detach the left end of the burner module from the radiant box by removing one screw and a wing nut (See figure 15).
9. Lift the slider arm and carefully slide the burner module to the right to free it from the right side of the radiant box (See figure 15).
10. Replace in the reverse order.



INSTALLER GUIDE

12.8 To remove the gas flow rate controller.

The gas flow controller and pivot bracket are identified in figure 17.

1. Remove the complete burner module, pipes and pilot as in section 12.7.

2. When working on the module, ensure that the work surface is suitably protected. This will avoid damage to the work surface.

3. Remove the nut and washer securing the control pivot bracket to the controller at the front. Support the pivot bracket while removing the nut to prevent possible damage to the microswitch.

4. Remove the hexagonal bolt securing the control pivot bracket to the controller at the rear.

5. Remove the control pivot bracket.

6. Detach the lower injector pipe at the top of the gas flow rate controller. Support the controller while detaching to prevent excessive strain.

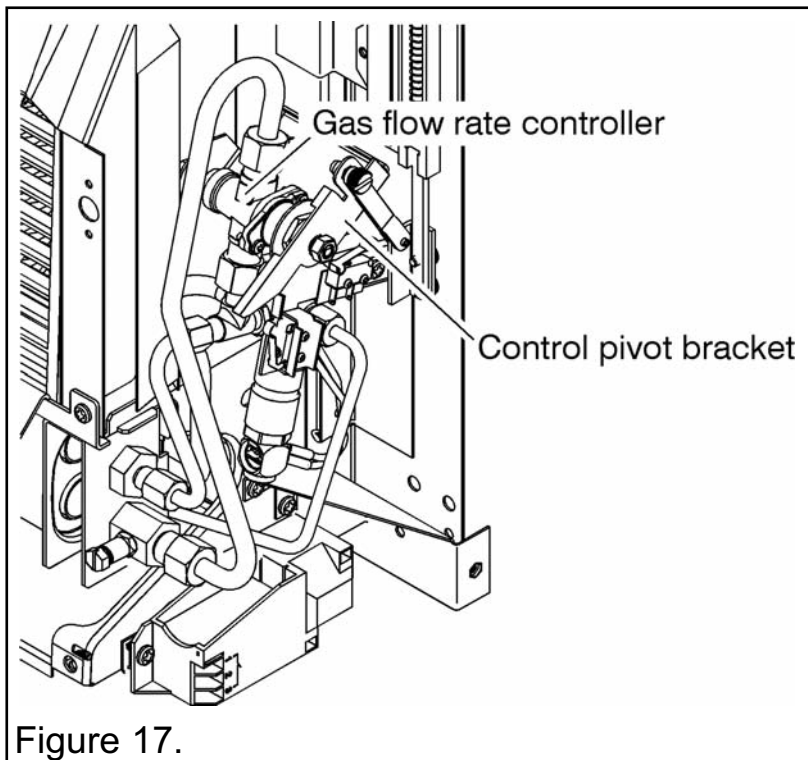
7. Detach the lower injector pipe from the lower injector carrier. Do NOT use the PTP for support as this may cause damage.

8. Detach the nut from the underside of the gas flow rate controller. Support the controller while detaching to prevent excessive strain.

9. Remove the hexagonal nut securing the controller to the mounting bracket.

10. Loosen the brass nut that holds the shut-off valve to the securing bracket, rotate the bracket forward and clear of the shut-off valve. Remove gas flow rate controller.

11. Refit in the reverse order.



12.9 To remove the 'T' piece.

1. Remove the gas flow rate controller as in section 12.8.

2. Unscrew and remove the upper injector pipe.

3. Loosen the locking nut where the 'T' piece joins the shut-off valve.

4. Unscrew the 'T' piece.

5. Refit in the reverse order. If replacing the 'T' piece, remove the locking nut from the removed 'T' piece and fit it to the replacement.

12.10 To remove the shut-off valve assembly.

1. Remove the 'T' piece as in section 12.9.
2. Detach the thermocouple and loosen the interrupter block from the valve, once loosened it will be possible to remove the thermocouple leads. Pull the tags and not the leads as this can cause damage. Remove the interrupter block.
3. Detach the pilot pipe from the valve.
4. Remove and fit the brass nut from the top of the removed valve onto the replacement.
5. Refit in the reverse order. If replacing the shut-off valve, remove the locking nut from the top of the valve and fit it to the replacement valve.

When refitting the thermocouple and interrupter block, make sure that the microswitch wires are properly secured to give a good electrical contact.

12.11 To grease the gas flow rate controller.

1. Remove the fascia as in section 12.2.
2. Disconnect the slider control by removing the knurled screw from the connector arm.
3. Remove the nut and washer securing the control pivot bracket to the controller at the front. Support the pivot bracket while removing the nut to prevent possible damage to the microswitch.
4. Remove the hexagonal bolt securing the control pivot bracket to the controller at the rear.
5. Remove the control pivot bracket.
6. Remove the hexagonal nut securing the controller to the mounting bracket.
7. Loosen the brass nut that holds the shut-off valve to the securing bracket, rotate the bracket forward and clear of the shut-off valve.
8. Remove the two screws from the head of the tap.
9. Rotate the plug and pull it out of the tap.
10. Clean and grease the plug lightly with suitable grease. Do not apply excessive grease. Particularly, make sure that the gas ports are not restricted by grease.
11. Push the plug back into the tap body. Line up the slot in the plug with the mark previously made on the tap body.
12. Reassemble in the reverse order making sure that the components are correctly engaged. Check the operation of the tap.

12.12 To remove the slider mechanism.

1. Remove the fascia as in section 12.2.
2. Disconnect the slider control by removing the knurled screw from the connector arm.
3. Unscrew and remove the two screws from the left side of the slider body.
4. The slider mechanism can now be removed from the fire. To do this move the bottom of the mechanism to the right and upward, this will allow the slider button to pass through the lower opening in the slider cover.

INSTALLER GUIDE

12.13 To remove the slider cover.

- 1.** Remove the fascia as in section 12.2.
- 2.** Remove the large black baffle from the top of the heat exchanger. To do this unscrew and remove two screws.
- 3.** Unscrew and remove the two screws from the left hand side of the cover.
- 4.** Carefully lift the cover and rotate it clockwise to enable the cover to be lifted over the slider button.
- 5.** Refit in the reverse order.

OWNER GUIDE

FOR WARRANTY AND SERVICE INFORMATION
SEE PAGES 40 TO 43

OWNER GUIDE

LIST OF CONTENTS

<u>Section</u>	<u>Page</u>
SAFETY	32
GAS CONSUMPTION	34
APPLIANCE DIMENSIONS AND CLEARANCES	34
OPERATING YOUR FIRE	35
The Oxysafe flame sensing and flue blockage safety system.	35
To light the fire and adjust the settings.	35
Settings.	36
To turn the fire off.	36
Lighting with a match or taper.	36
CLEANING YOUR FIRE	37
REPLACING THE RADIANTS	38
MAINTENANCE	39
Battery replacement.	39
Regular maintenance.	39
WARRANTY AND SERVICE	40

This gas fire is designed to meet the most stringent quality, performance and safety requirements to provide you with many years' trouble-free service.

This guide aims to improve your understanding and appreciation of your gas fire by providing simple and informative instructions to ensure that you benefit from the excellent performance and features it has to offer.

SAFETY

IF YOU SMELL GAS

- **DON'T SMOKE.**
- **EXTINGUISH ALL NAKED FLAMES.**
- **DON'T TURN ELECTRICAL SWITCHES ON OR OFF.**
- **TURN OFF THE GAS SUPPLY AT THE METER OR TANK AS APPROPRIATE.**
- **OPEN DOORS AND WINDOWS TO GET RID OF THE GAS.**
- **IMMEDIATELY CALL THE GAS EMERGENCY SERVICE FROM A NEIGHBOURS PHONE - SEE YOUR LOCAL TELEPHONE DIRECTORY.**

Do have the fire installed by a competent person (Gas Safe Register operative). In the United Kingdom, installation must be in accordance with the latest edition of the Gas Safety (installation & use) Regulations. In the Republic of Ireland, installation must be in accordance with all national and local regulations in force.

Do have the chimney swept prior to installation if it was previously used for solid fuel.

Do have the fire installed in accordance with the installation instructions.

OWNER GUIDE

Do allow a minimum clearance of 95mm from the top of the appliance fascia to the underside of any shelf whether it is made from combustible or non-combustible materials. This clearance is necessary to allow the fascia to be lifted off for servicing. For a shelf made from wood or other combustible materials deeper than 150mm add 12.5mm to the clearance for every 25mm of additional shelf depth (See figure 1). Please bear this in mind if ever you add a shelf.

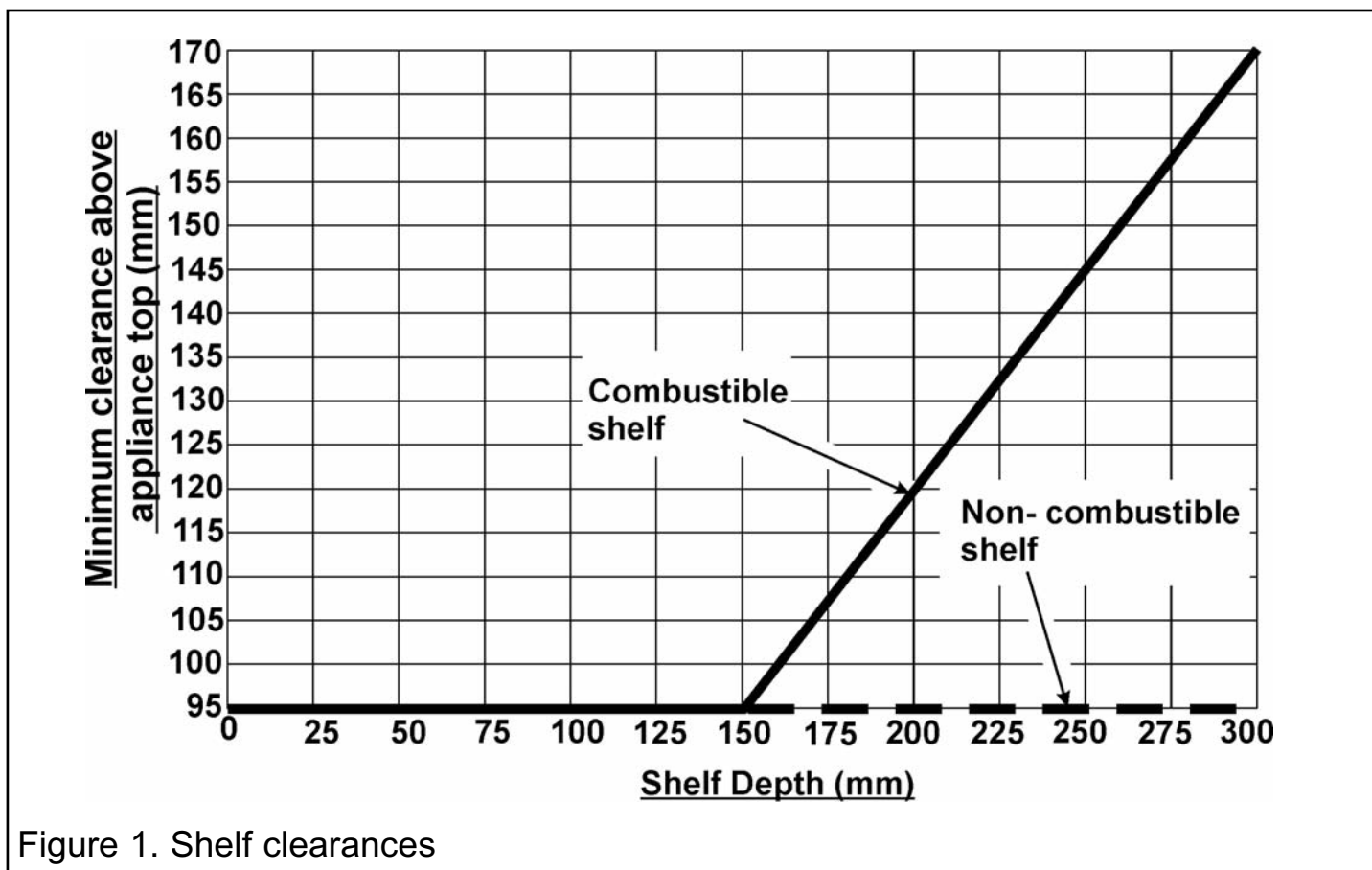


Figure 1. Shelf clearances

Do get advice about the suitability of any wall covering near your fire. Soft wall coverings (e.g. embossed vinyl, etc.) which have a raised pattern are easily affected by heat. They may, therefore, scorch or become discoloured when close to a heating appliance. Please bear this in mind whenever you are considering redecorating.

Do provide a suitable guard that complies with BS 8423 for the protection of young children, the elderly, the infirm and pet animals (Although this fire conforms to all the applicable standards, it is a heating appliance and certain parts of its surface will become hot).

Note: The guard supplied with the fire acts as a fireguard conforming to BS1945:1971 and satisfies the Heating Appliance (Fireguard) (Safety) Regulations 1991.

Do wait three minutes before attempting to relight if the fire is switched off or the flames are extinguished for any reason. (Your fire is fitted with a safety device that will automatically shut off the gas supply to the fire if, for any reason, the flames go out).

OWNER GUIDE

Do provide a minimum clearance of 100mm between the fascia sides and any corner wall having combustible material or other combustible surface which projects beyond the front of the fire (See figure 2). Please bear this in mind if ever you are considering altering the room.

Don't hang clothing, towels or any other fabrics over the fire.

Don't fill in the space behind the fascia.

Don't use the fire without the dress guard being in position.

Don't attempt to clean or service the fire until it has been switched off and allowed to cool completely.

Don't use the fire with damaged radiants.

GAS CONSUMPTION

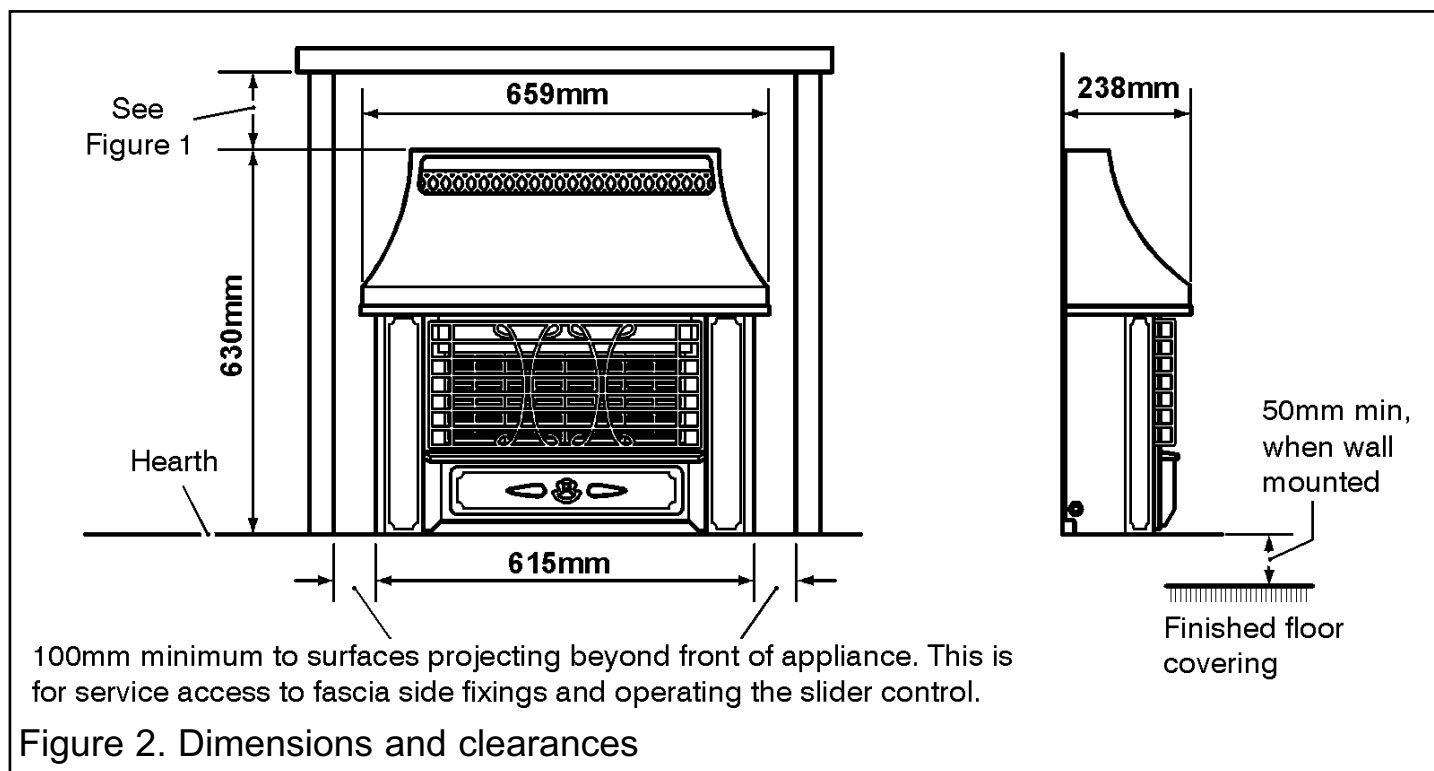
Has a maximum natural gas input of 5.4 kW (Gross)

Has a maximum natural gas output of 4.0 kW

Has a minimum natural gas input of 2.7 kW (Gross)

Has a minimum natural gas output of 1.85 kW

APPLIANCE DIMENSIONS AND CLEARANCES



PLEASE NOTE

When operating your fire for the first time, some vapours may be given off which may cause a slight odour and could possibly set off any smoke alarms in the immediate vicinity. These vapours are quite normal with new appliances. They are totally harmless and will disappear after a few hours use.

The Oxysafe flame sensing and flue blockage safety system.

For your safety, this appliance is fitted with a flue blockage safety device that will shut down the appliance in the event of abnormal flue conditions. **This device is NOT a substitute for an independently mounted Carbon Monoxide detector.**

The device will also automatically shut off the gas supply to the fire if the pilot flame goes out due to lack of oxygen or for any other reason.

If this device starts to repeatedly shut off the gas, get expert advice.

This device incorporates a probe that senses that the heat from the pilot flame is correct. If this probe is cool, the device will prevent any gas flow unless the control button is held down at the ignition position.

If, for any reason, the flames go out when the fire is hot or if the fire is turned off when hot, always **wait at least three minutes before attempting to relight.**

To light the fire and adjust the settings.

1. Slide the control button to the ignition / low (↓ L) position. In this position, the electronic ignition system should cause a series of sparks that should light the pilot. The pilot flame can be seen through a hole immediately in front of the centre radiants (See the upper section of figure 3). Within four seconds of the pilot igniting, the two centre radiants should light.

If no sparks are produced to light the pilot, the battery may need replacing. Details of battery replacement are given further on in this guide.

Until you can obtain a replacement battery the fire can be lit with a taper as described later in this section of the guide.

2. Keep the button at the ignition / low position (↓ L) for a further ten seconds. This will prevent the flame-sensing device from shutting off the gas while its probe warms up as explained previously.

3. Release the button. The button should automatically spring up by approximately 10mm and the centre radiants should remain fully on. *If for any reason the slider control does not spring up, raise the slider to the off (O) position and have the fire inspected by a qualified operative.*

4. Slide the button up to the medium (M) setting, you should feel a check to the button movement at this position. The outer radiants should light on their low setting.

OWNER GUIDE

5. Slide the control button up again to the high (H) setting, you should feel a check to the button movement at this position. The outer radiants should now be on their high setting.

Settings.

The slider control settings are shown in the table below:

Control Positions	Radiants Condition
IGNITION / LOW (↓ L)	Ignition / Centre radiants fully on. Outer radiants off.
MEDIUM (M)	Centre radiants fully on. Outer radiants on low.
HIGH (H)	All radiants fully on.
OFF (O)	Pilot and all radiants off.

- Note**
- If the flames go out while setting the control, repeat the full lighting procedure. If the flames repeatedly go out have the fire serviced.
 - Please note. The radiants will take time to warm up. Although some glow will be seen after approximately ten minutes, the full visual effect will only be apparent after a somewhat longer time.
 - The appliance will operate to its maximum potential if the flue is primed during the first 20 – 30 minutes of operation. To do this, simply slide the control button to the high (H) setting.

To turn the fire off.

1. Slide the control button up again to the off (O) position. Both pilot and all radiants should go out. While cooling the radiants may make some crackling noises. This is quite normal. **Wait at least three minutes before attempting to relight.**

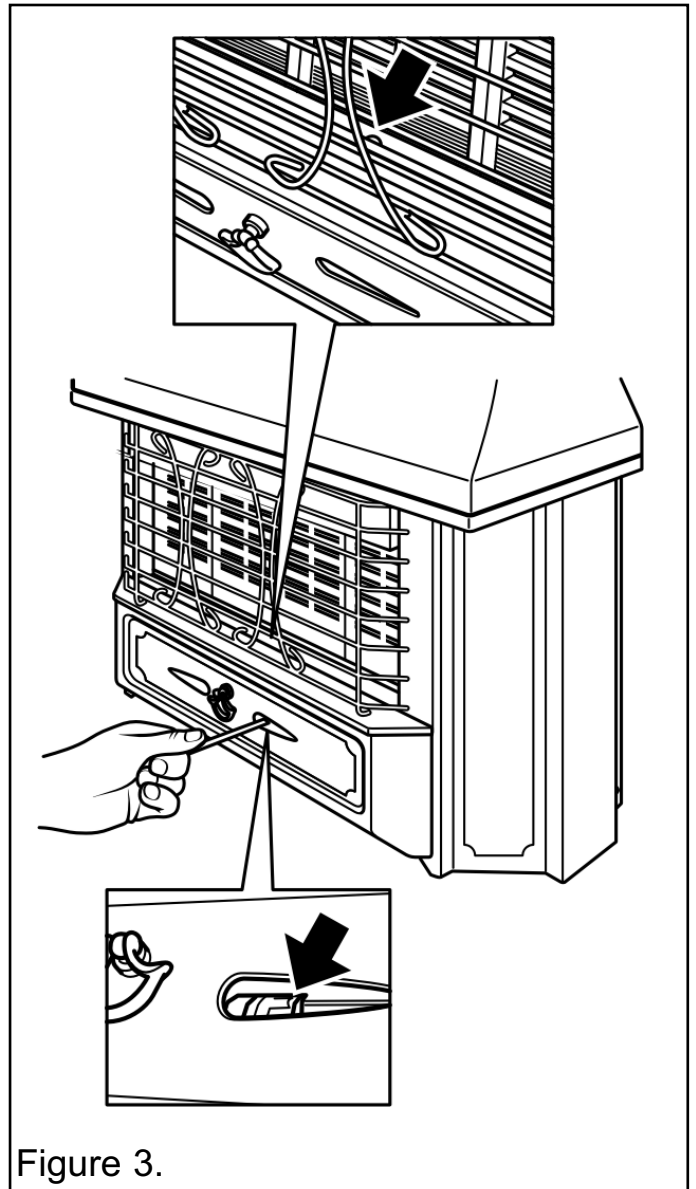
Lighting with a match or taper.

(See figure 3).

In the unlikely event of failure of the ignition spark, the pilot can be lit by a taper or long spill. Slide the control knob to the ignition / low position (↓ L). While keeping the knob depressed, light the pilot by inserting a long match or taper into the opening shown in figure 3 (Second opening on the right).

When the pilot is alight, keep the knob depressed for about ten seconds to allow the flame sensing probe to warm up before setting to your preferred heat level.

For your own convenience, have the heater serviced as soon as possible.



CLEANING YOUR FIRE

Turn the fire off and allow it to cool completely before attempting any cleaning. Normally the fire will only need dusting. The bright metal trims may be cleaned with a damp cloth and dried with a soft duster. Obstinate marks can be removed from the guard and trims using soapy water. **Never use abrasive cleaners.** The radiants can be cleaned with a soft brush - see the following section for how to remove the radiants.

REPLACING THE RADIANTS

Always use the correct type of replacement radiant. Ask for Valor part number 5132071 (Single Radiant).

Turn the fire off and allow it to cool before attempting to remove the radiants.

(See figure 4).

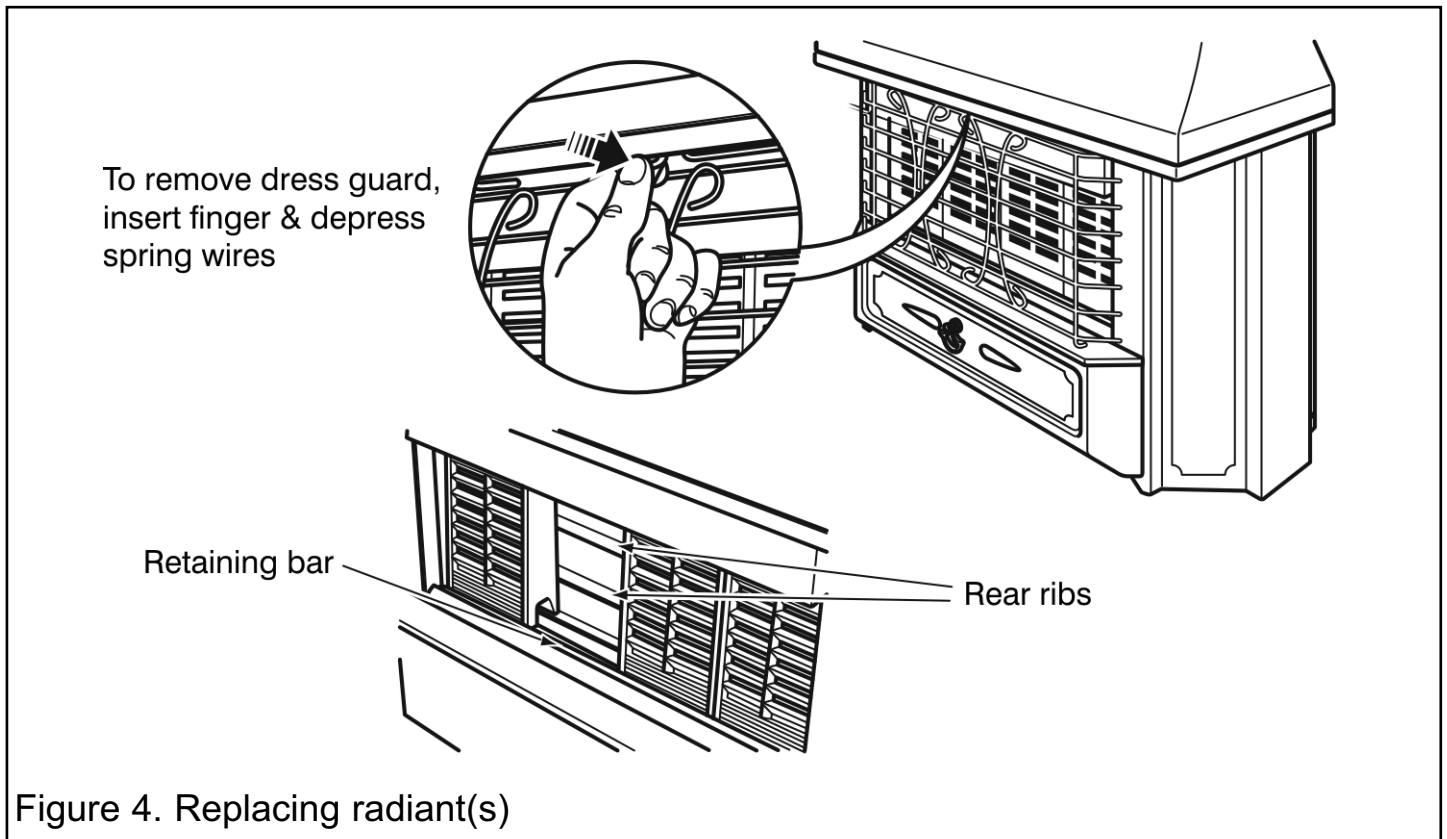


Figure 4. Replacing radiant(s)

- Remove the dress guard by pressing down the two hooks at the top. Tilt the guard forward and lift out.
- Lift the radiant upward to clear the metal retaining bar then pull out bottom first.
- Fit the new radiant by inserting its top under the top lip of the radiant box then swing the bottom of the radiant over and behind the retaining bar.
It is important that the rear face of the radiants rest against the horizontal ribs in the rear panel. There will be a small gap between their bottom front edges and the retaining channel at the front of the radiant box.
- Replace the dress guard. Locate the bottom of the dress guard in the two holes in the bottom panel apron. Push the guard back so that the two spring projections at the top of the guard engage in the slots under the front decorative canopy.

Battery replacement.

1. The electronic ignition unit is located at the base of the fire on the right hand side (See figure 5).
2. To access the electronic ignition unit battery the fascia will have to be removed. The fascia securing screws are located at the bottom rear of the fascia. Remove the securing screws from both sides of the fascia.
3. The fascia can now be removed. To do this firmly hold the fascia sides, gently pull the bottom of the fascia forward whilst lifting the fascia upward and forward. Place the fascia in a safe place.
4. Remove the battery and discard.
5. Remove any protective film from the replacement battery and place into the electronic ignition unit. The negative (-) and positive (+) terminals are marked on the unit.
6. Place the fascia over the engine. Make sure that the top rear of the fascia locates fully into the 'U' shaped notch of the engine back panel (See figure 6).
7. Secure the fascia using the two screws previously removed.

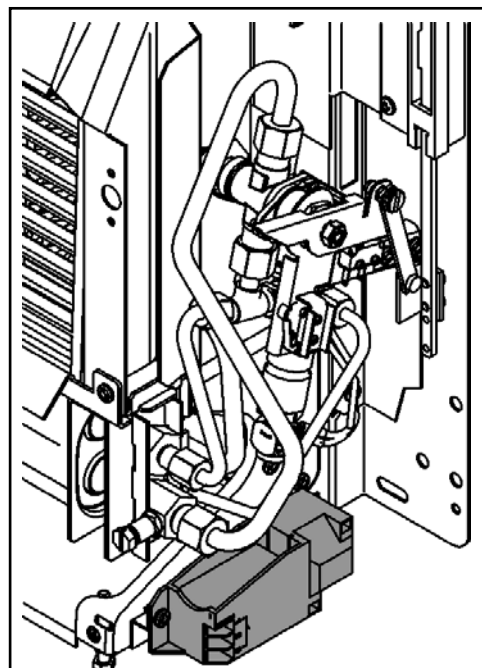


Figure 5. Fitting the battery

Regular maintenance.

In order to achieve and maintain high levels of personal safety and performance efficiency, it is essential that the opening at the back of the fire and the flue are kept clear of any form of obstruction. It is possible that deposits of mortar or soot could fall and accumulate causing the flue to be blocked or restricted and so preventing proper clearance of dangerous exhaust fumes.

In the United Kingdom it is the law that a landlord must have any gas appliance, flue and pipework which is situated in a tenant's premises checked for safety at least every twelve months by a competent person (GAS SAFE REGISTER operative). We recommend that all gas appliances and their flues, wherever situated, are checked annually.

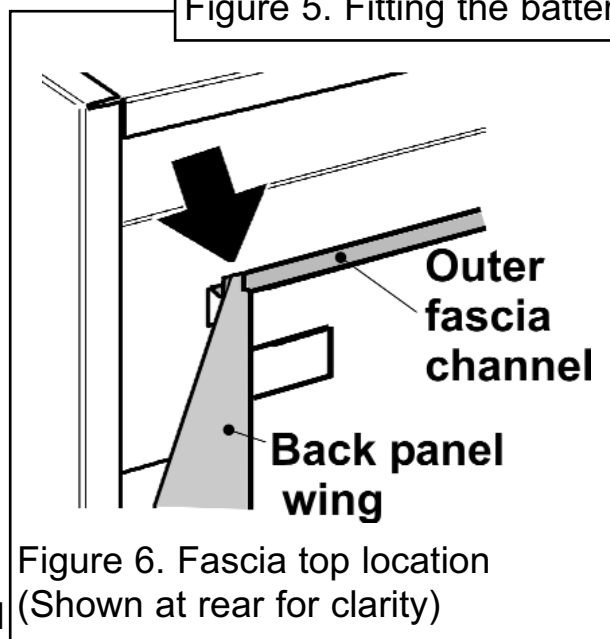


Figure 6. Fascia top location (Shown at rear for clarity)

Standard Warranty Terms & Conditions

The warranty is for 12 months subject to contract.

In the United Kingdom servicing can be carried out either by a **heateam** service operative or a **GAS SAFE REGISTER** operative. You must register your fire with **heateam**, the service division of Baxi Heating UK Limited, either by completing and returning the registration card or calling our free telephone registration line on **0800 032 72 44**.

It is also a requirement of the warranty that the fire has an annual service (every 12 months) in accordance with the installation and servicing instructions, performed by a **GAS SAFE REGISTER** operative. If you would like **heateam** to carry this out this service, please call on **0844 8711 525**.

Our promise to you

If you experience a fault with your new fire, we aim to provide a safe and high quality repair service supported by our dedicated national network of highly skilled operatives. If your installer can't resolve the problem for you, we will do everything we can to get an operative out to you as quickly as possible. Nothing in this warranty will affect your statutory rights.

What you need to do if you experience a problem with the operation of the fire:

- You should always contact your installer first, because the cause of the fault may not be related to the fire.
- If your installer confirms that the fault is with the fire and they can't repair it, our friendly customer service team is on hand to help.
- Simply call our service division **heateam** on **0844 8711 565** to book an operative visit or for any general advice that you may need. Our contact centre is open Monday to Friday 8am – 6pm, weekends and Bank Holidays 8.30am – 2pm, excluding Christmas Day and New Years day.

OWNER GUIDE

When calling **heateam**, it would be helpful if you could have the following information to hand:-

1. Fire serial number (The serial number can be found on the serial number label - See figure 7 on page 47).*
2. Date of installation.*
3. Your installer name and address details.*
4. Fire make and model number.*
5. Proof of purchase (if you do not have the fire serial number).

***Note: Details 1 – 4 should be recorded on pages 42 & 43 at the end of this guide.**

What this warranty covers

Free of charge repair or replacement of components found to be of faulty manufacture.

Free of charge replacement of the complete unit providing the failure is related to a manufacturing fault that cannot be repaired or is uneconomic to repair.

What this warranty does not cover

Repairs to fires which haven't been installed and commissioned properly and as set out in the installation instructions.

Faults caused by inadequate supply of gas or electricity (where applicable).

Reimbursement of any third party repair or replacement costs that we haven't been told about or agreed with you in advance.

Compensation or consequential losses (e.g. loss of earnings, business losses, stress and inconvenience) arising from a production breakdown, including repair delays caused by factors outside our reasonable control.

OWNER GUIDE

To be completed by Installer:

Installer Details (Block Capitals)

Installer Name	
Gas Safe Register Number.	
Company Name.	
Company Address	
Company Telephone number	
Company Fax number	

OWNER GUIDE

Model

3 4 8

Serial number (A label containing this information may have been placed below or can be found on the serial number label - See figure 7)

□ □ □ □ □ □ □ □ □ □ □ □ □

A LABEL CONTAINING THE SERIAL NUMBER MAY HAVE BEEN PLACED INSIDE THIS BOX.

SERIAL NUMBER LABEL
TO BE AFFIXED HERE

Fascia name

B L A C K B E A U T Y

Brand

V A L O R

Date of Installation

□ □ □ □ □ □
D D M M Y Y

GC Number

3 2 - 0 3 2 - 9 0

