

valor
OXYSAFE

CONTOUR

MODEL 3290 - TEAK FINISH



&

SILHOUETTE

MODEL 3291 - MAHOGANY FINISH

MODEL 3297 - BLACK ASH FINISH

RADIANT / CONVECTOR GAS FIRES

INSTALLATION & SERVICING INSTRUCTIONS

**THIS APPLIANCE IS FOR USE WITH NATURAL GAS (G20) AT A
SUPPLY PRESSURE OF 20mbar (8in w.g.)**

**THIS APPLIANCE IS FOR USE IN THE UNITED KINGDOM (GB)
AND THE REPUBLIC OF IRELAND (IE) ONLY**

INSTALLER: Please leave these instructions with the owner

600A591/04

LIST OF CONTENTS

| | Page |
|---|-----------|
| Appliance dimensions | 2 |
| Appliance data | 3 |
| General installation requirements | 3 |
| Unpacking & pre-installation preparation | 5 |
| • Carton contents | 5 |
| • Fireplace flue pull check | 5 |
| • Preparing appliance for installation | 5 |
| • Closure plate fitting | 6 |
| Appliance installation | 7 |
| • Hearth installation | 7 |
| • Wall mounting | 7 |
| • Gas supply connection | 7 |
| • Radiants fitting | 7 |
| Operating checks | 7 |
| • Control settings check | 7 |
| • Spillage check | 7 |
| • Final assembly | 8 |
| Final review | 8 |
| Servicing & parts replacement | 9 |
| • Radiants replacement | 9 |
| • Outer case removal | 9 |
| • Pilot unit replacement | 9 |
| • Burner, gas tap & pilot removal | 9 |
| • Gas tap or injector replacement | 9 |
| • Piezo generator replacement | 9 |
| • Gas tap greasing | 10 |
| • Complete fire removal | 10 |
| Short list of spares | 10 |

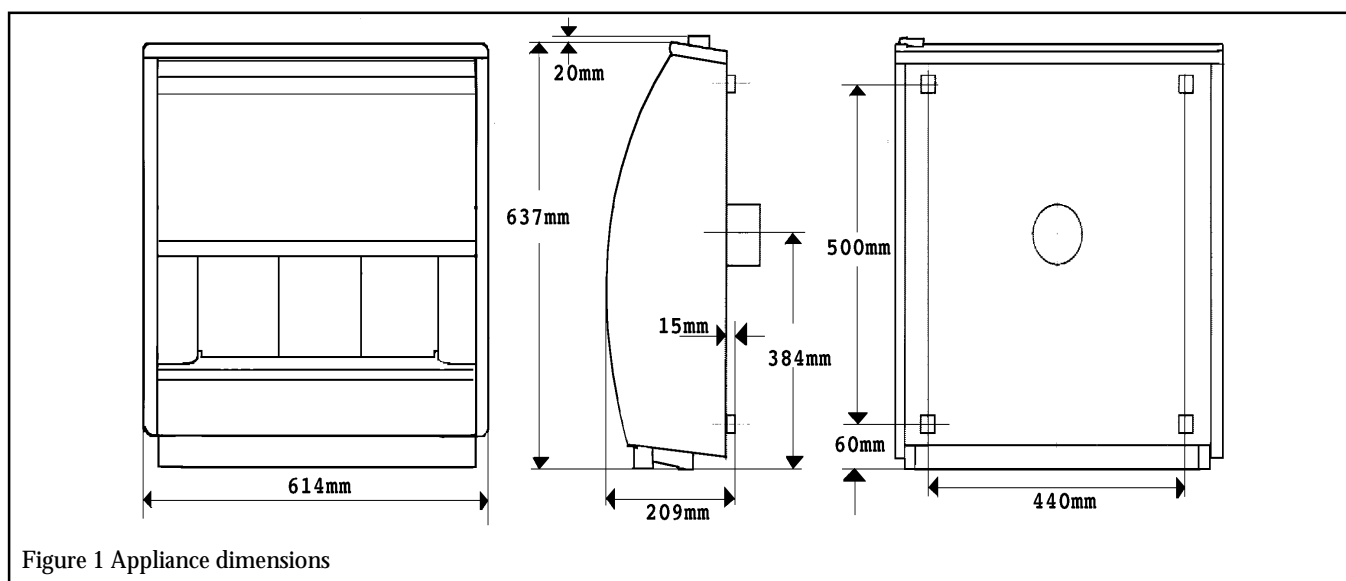


Figure 1 Appliance dimensions

1. APPLIANCE DATA

This appliance does not contain any component manufactured from asbestos or asbestos related products.

The appliance data label is on the inner face of the metal case at the left side. It is visible when the outer case is removed.

| | |
|-----------------|----------------------|
| Gas: | Natural (G20) |
| Inlet pressure: | 20mbar (8in. w.g.) |
| Input - Max: | 5.28kW (18,000Btu/h) |
| (Gross) Min | 1.25kW (4,300Btu/h) |
| Output - Max | 3.2kW (10,900Btu/h) |
| Min | 0.56kW (1,900Btu/h) |

| | |
|------------------------|-----------------------|
| Burner injectors: | |
| Upper (Centre radiant) | Bray cat 28 size 120 |
| Lower (Outer radiants) | Bray cat 28 size 250B |

| | |
|-----------------------------------|-----------------------|
| Burner test pressure (cold): | 18.3mbar (7.2in w.g.) |
| Inlet pipe connection: | Rp1/4 (1/4" BSP) |
| Pilot & Atmosphere sensing device | SIT ref. OP9044 |
| Ignition: | Piezo electric |
| | Integral with gas tap |
| Aeration: | Non-adjustable. |

2 GENERAL INSTALLATION REQUIREMENTS

2.1 The installation must be in accordance with these instructions. For the user's protection, in the United Kingdom, it is the law that all gas appliances are installed by competent persons in accordance with the current edition of the Gas Safety (Installation & Use) Regulations. Failure to install the appliance correctly could lead to prosecution.

The Council for the Registration of Gas Installers (CORGI) requires its members to work to recognised standards.

In the United Kingdom, the installation must be in accordance with:

- All the relevant parts of local regulations.
- The Building Regulations issued by the Department of the Environment and the Welsh Office or the Building Standards (Scotland) (Consolidation) Regulations issued by the Scottish Development Department.
- All relevant codes of practice.
- The relevant parts of the current editions of the following British Standards:-

BS 715
BS 1251
BS 1289 Part 1
BS 1289 Part 2
BS 4543 Part 2
BS 5440 Part 1
BS 5440 Part 2
BS 5871 Part 1
BS 6461 Part 1
BS 6891

In the Republic of Ireland the installation must conform to

- The current editions of :-
ICP3
IS 813
- All relevant national and local regulations in force.

2.2 The appliance must not stand on a carpet or any other combustible material.

If a panel has to be fitted to the fireplace opening to meet the required opening sizes shown below, it must be made of non-combustible material.

2.3 The appliance can be installed in the following situations:

2.3.1 Conventional fireplace and hearth

The appliance can be installed to a fireplace complete with surround and hearth.

The fireplace opening must be within the following dimensions:

| | | |
|--------|------|--------|
| Width: | Max. | 457mm |
| | Min: | 305mm |
| Height | Max: | 610mm* |
| | Min. | 510mm |

* Though the total height of the closure plate will accommodate a maximum opening height of 650mm, heights above 610mm will leave the closure plate and sealing tape visible above the appliance.

The appliance must be mounted on a non-combustible hearth (N.B. conglomerate marble hearths are considered as non-combustible). The hearth must be at least 880mm wide x 300mm deep. The hearth material must be at least 12mm thick. The periphery of the hearth (or fender) should be at least 50mm above floor level to discourage the placing of carpets or rugs over it.

The appliance can be fitted to a purpose made proprietary class "O" 100°C or 150°C surround.

2.3.2. Wall mounted

The appliance can be wall mounted.

The appliance is not suitable for installation on combustible walls.

The opening must be within the following dimensions:

| | | |
|---------|------|--------|
| Width: | Max. | 356mm |
| | Min. | 305mm |
| Height: | Max. | 610mm* |
| | Min. | 376mm |

* Though the total height of the closure plate will accommodate a maximum opening height of 650mm, heights above 610mm will leave the closure plate and sealing tape visible above the appliance.

The bottom of the side feet must be at least 102mm above the finished floor covering. This requires that the top of the opening must be at least 612mm above the finished floor covering.

2.3.3. Precast flue

The appliance can be installed to a fireplace that has a precast concrete or clay flue block system conforming to BS1289. The appliance is suitable for installations conforming to older versions of BS1289 as well as the current edition. The flue blocks must have a minimum width not less than 63mm and a cross-sectional area not less than 13,000mm². Older editions of BS1289 required a cross-sectional area of 13,000mm². The current revision of the standard requires 16,500mm². This appliance is suitable in both cases.

The chimney should be one or two storeys high but not less than 3m vertical height and be correctly terminated. No mortar fangs between the blocks should be extruded into the flueway. If raking blocks are used, they must be fitted in accordance with the manufacturer's instructions. Mortar must not be allowed to drop down and accumulate in the raked positions.

The fireplace opening must be within the following dimensions:

| | | |
|--------|------|--------|
| Width: | Max. | 457mm |
| | Min: | 305mm |
| Height | Max: | 610mm* |
| | Min. | 610mm* |

2.3.4. Metal flue box

The appliance can be installed to a metal flue box complying with the constructional requirements of the current edition of BS715.

The opening must be within the following dimensions:

| | | |
|--------|------|--------|
| Width: | Max. | 457mm |
| | Min: | 380mm |
| Height | Max: | 610mm* |
| | Min. | 510mm |

*Though the total height of the closure plate will accommodate a maximum opening height of 650mm, heights above 610mm will leave the closure plate and sealing tape visible above the appliance.

2.3. Flues

Suitable flues are:

- 225mm x 225mm conventional brick flue. If a liner is used, it must be a minimum of 127mm (5in.) diameter. The liner must be sealed to the surrounding area above the fireplace opening and to the top of the chimney and have an approved terminal.
- A properly constructed precast flue conforming to BS1289 (See section.2.3.3.)
- A flue pipe with a minimum diameter of 127mm (5in.). See BS6461 Part 1 for suitable materials. Metal flue pipes must comply with BS715. See section 2.3.4. for metal flue box requirements.

2.3.1. The flue must have a minimum equivalent height of 3m.

2.3.2. The flue must serve only one fireplace.

2.3.3. Any damper or register plate should be removed. If removal is not possible without carrying out structural work, the damper or plate may be left in the flue *provided that it is permanently secured in the fully open position.*

2.3.4. If the appliance is intended to be installed to a chimney which was previously used for solid fuel,

the flue must be swept clean prior to installation. All flues should be inspected for soundness and freedom from blockages.

2.4 If the fireplace opening is an underfloor draught type, it must be sealed to stop any draughts.

2.5. The flue spigot and any spigot extension must be capable of passing through the closure plate by at least 25mm with a minimum clearance of 50mm between its open end and the nearest obstruction. There must be a minimum clearance of 165mm between the back of the closure plate and the back of the catchment space.

The catchment space below the flue spigot must extend at least 250mm downwards measured from the bottom of the flue spigot. See figure 2.

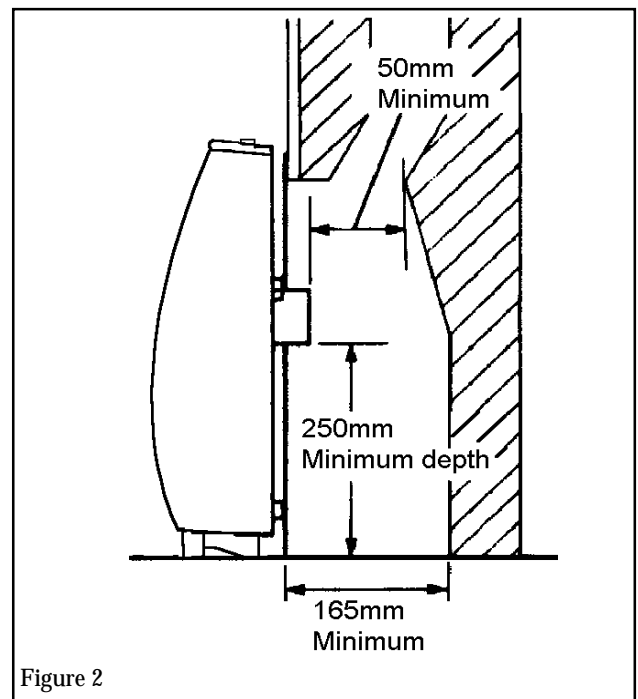


Figure 2

2.6. The front face of the fireplace should be reasonably flat to ensure that a good seal can be made with the closure plate.

2.7. The minimum clearance from the top surface of the appliance to the underside of any shelf made from wood or other combustible materials is as follows:-

- For a shelf up to 150mm deep
Minimum height = 203mm
- For a shelf deeper than 150mm
203mm + 12.5mm for every 25mm depth over 150mm.

2.8. The minimum allowable distance to a corner wall or other projection at either side which extends further forward than the front of the appliance is 100mm.

2.9 The space between the back of the outer case and the front face of the fireplace must not be filled in. *Note: The Valor decorative cover plate is suitable for use.*

2.10. Note that soft wall coverings (e.g. embossed vinyl, etc.) are easily affected by heat. They may scorch or become discoloured when close to a heating appliance. Please bear this in mind when installing.

2.11. An extractor fan may only be used in the same room as this appliance, or in any area from which ventilation for the appliance is taken, if it does not

affect the safe performance of the appliance. Note the spillage test requirements detailed further on in this manual. If the fan is likely to affect the appliance, the appliance must not be installed unless the fan is permanently disconnected.

2.12. In the United Kingdom No special ventilation bricks or vents are required in the room for this appliance. In the Republic of Ireland permanent ventilation must comply with the regulations currently in force.

3. UNPACKING & PRE-INSTALLATION PREPARATION

3.1 CARTON CONTENTS

The carton contains:

- 1 Fire assembly
- 3 Radiants (In pack in radiant box)
- 1 Closure plate
- 1 Flue spigot
- 1 Spigot restrictor
- 4 Screws for flue spigot
- 1 Bottom trim
- 2 Knurled screws for bottom trim
- 1 Set of installation & users instructions

Carefully remove the contents. Check that all the listed parts are present and in satisfactory condition.

3.2. FIREPLACE FLUE PULL

After preparing the fireplace, apply a lighted match, paper or smoke match to the chimney opening. Observe the smoke. If there is a definite flow into the opening continue with the installation. If there is not a definite flow, preheat the chimney for a few minutes and recheck. If there is still no definite flow, the chimney may need attention. **Do not fit the appliance. Seek expert advice.**

3.3. APPLIANCE PREPARATION

- 3.3.1** Stand the fire upright.
- 3.3.2** Remove the control knob by pulling clear of the gas tap spindle.
- 3.3.3** Remove the outer case retaining screws at the bottom sides of the fire (Figure 3).
- 3.3.4** Lift the outer case up and forward to clear the top retaining brackets and the gas tap spindle (Figure 3). Put the case in a safe place.

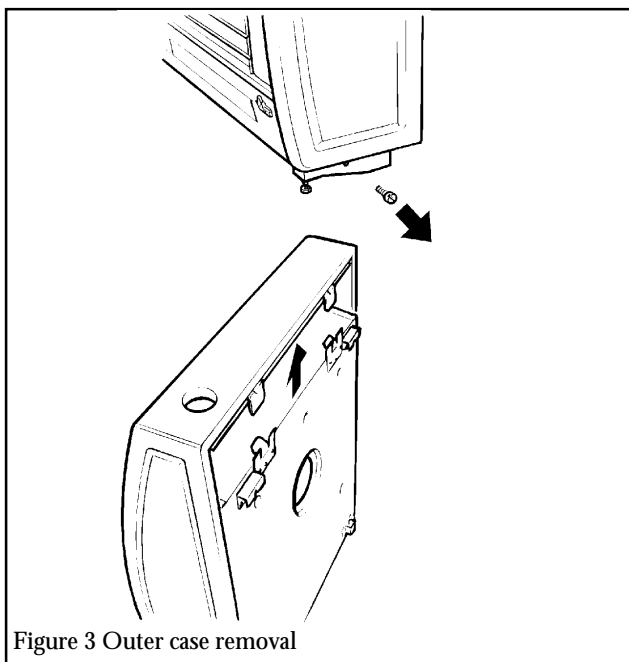


Figure 3 Outer case removal

3.3.5 Remove the radiant pack.

3.3.6. Remove any protective film from all the bright trims.

3.3.7. Check ignition spark

Before attempting to install, it is worth checking that the piezo electric spark ignition system operates satisfactorily.

To initiate the spark, refit and depress the control knob. While keeping it depressed, turn to the 1/IGN position. A spark should track from the electrode pin to the thermocouple tip. If there is no spark or incorrect tracking, check the spark gap between the electrode wire and thermocouple tip (see figure 4). If the spark gap is correct, check the ignition wiring. Remove the control knob after checking.

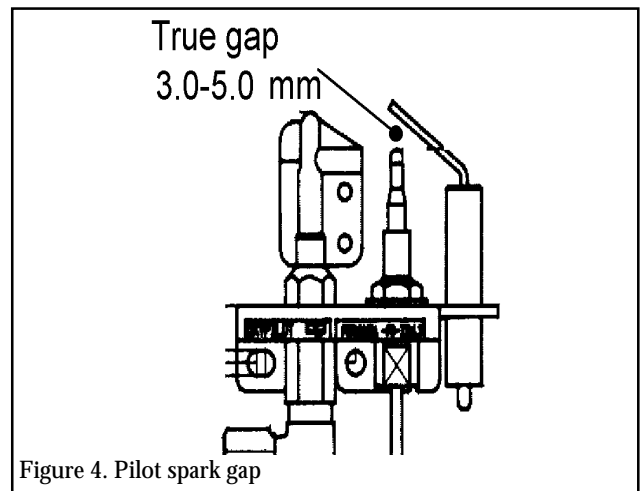


Figure 4. Pilot spark gap

3. 3.8 Fit the flue spigot to the back of the fire using four screws provided. The fire is supplied with a spigot restrictor which is intended for use where the flue draught is excessive. **The restrictor must not be fitted to a flue with an effective height less than 4m or where a precast flue is used.** Where the restrictor is required, fit it at this stage, between the flue spigot and the back of the fire. There may, however, be certain exceptional circumstances where fitting the restrictor causes the fire to fail the spillage test (see section 5.2). In such cases the restrictor will have to be removed.

3.3.9 If the fire is fitted to a recessed fireplace, an extension flue spigot up to a maximum total length of 125mm may be used. The extension must be a tight fit over the flue spigot and be secured by two self tapping screws. Note the minimum clearance required as shown in figure 2.

3.4. FITTING THE CLOSURE PLATE (Figures 5,6 & 7)

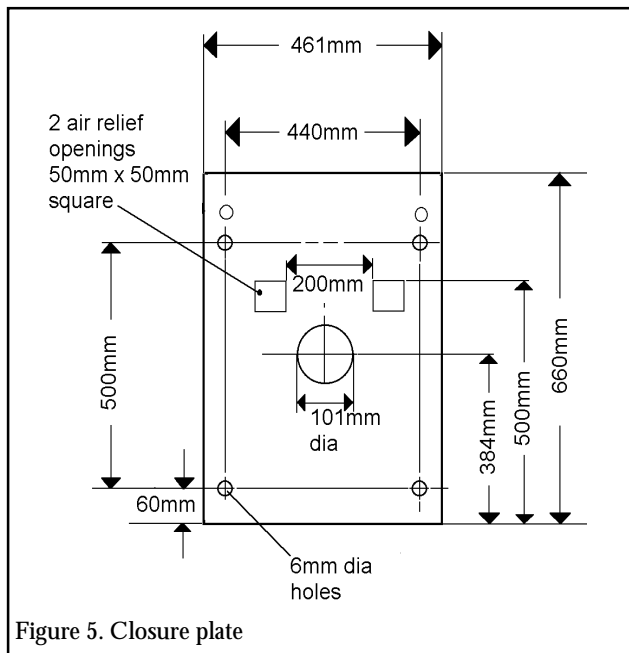


Figure 5. Closure plate

3.4.1. If a centre gas pipe connection is required cut an opening at the bottom of the closure plate. (The gap between the pipe and the opening in the closure plate should be sealed with tape after connection.)

3.4.2. Hearth mounting (figure 6)

The closure plate must be fitted and sealed to the hearth and fireplace opening using a suitable heat resistant material. If necessary cut the closure plate. Leave the closure plate sufficiently large to overlap the fireplace opening by 25mm. Make sure that the rectangular air relief openings are fully within the fireplace opening.

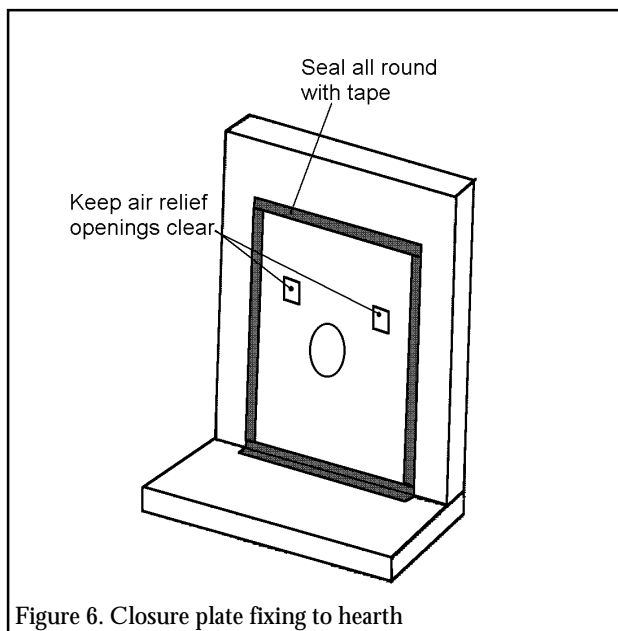


Figure 6. Closure plate fixing to hearth

3.4.3. Wall mounting (Figure 7)

The closure plate must be fitted and sealed to the fireplace opening using a suitable heat resistant material. If necessary cut the closure plate. Leave the closure plate sufficiently large to overlap the fireplace opening by 25mm. Make sure that the rectangular air relief openings are fully within the fireplace opening. The bottom of the side feet must be at least 102mm above any carpet or other floor covering. To achieve this, the bottom of the closure plate must also be at least 102mm above the finished floor covering. The centre of the flue spigot hole will be at least 486mm above the finished floor covering.

1. To improve appearance, remove the front adjustment screws from below the side feet.
2. Place the closure plate over the fireplace opening in its proper position.
3. Mark the positions of the four wall fixing holes. *Use only the lower of the top two pairs of holes.*
4. Remove the plate. Drill and plug the wall using no. 10 wall plugs.
5. Put the closure plate back in position. Make sure that the holes line up with the wall plugs. Seal the plate to the wall with suitable heat resistant tape.

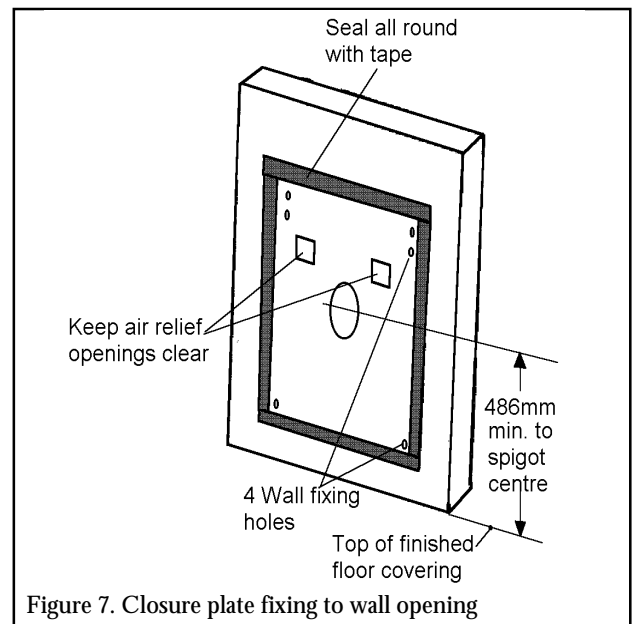


Figure 7. Closure plate fixing to wall opening

3.4.4. Check the flue pull with closure plate fitted by applying a lighted match or smoke match to the flue spigot opening in the closure plate and observe the smoke. If there is a definite flow continue with the installation. If not check the fitting of the closure plate. The fireplace flue pull check described in section 3.2 should have confirmed that the fireplace itself is satisfactory.

4. APPLIANCE INSTALLATION

4.1. INSTALLING TO A HEARTH

- 4.1.1.** Place the fire centrally on the hearth making sure that the spigot lines up with the spigot hole in the closure plate. Gently slide the appliance into place. The spigot must enter the closure plate to a depth of at least 25mm (see figure 2).
- 4.1.2.** Level the appliance on the hearth by slackening the two locknuts and turning the levelling screws up or down as required while they bear on the hearth. When the fire is level and square to the wall, retighten the locknuts.

4.2. WALL MOUNTING

- 4.2.1.** Fit two no. 10 x 2in. long woodscrews in the top two fixing holes. Do not screw fully home at this stage. Leave about 12mm of screw protruding.
- 4.2.2.** Lift the fire and angle it backwards to engage the support brackets on to the top fixing screws. Carefully pivot the fire downwards to engage the flue spigot in the closure plate.
- 4.2.3.** Fit two screws through the bottom spacing brackets and into the lower fixing holes. Fully tighten all four screws.

4.3. GAS SUPPLY CONNECTION

- 4.3.1.** An Rp1/4 (1/4in. B.S.P.) elbow connector is provided. This can be revolved through 360° to the connection position required. If a rear centre connection is required through an opening cut in the closure plate (see section 3.4.1.), seal the gap between the plate and the pipe with tape after connection.
- 4.3.2.** Provision for isolation of the gas supply must be provided upstream of the appliance for safety and servicing.
- 4.3.3.** The supply pipe must be of a rigid material (e.g. copper). A flexible connection must not be made.
- 4.3.4.** Pressure check the installation pipework for gas soundness in accordance with the current edition of BS6891.

4.4. FITTING THE RADIANTS

Fit the radiants ensuring that they rest against the rear support bar and that their bottom front edges are behind the retaining tags near the front of the radiant box.

5. FULL OPERATING CHECKS & FINAL ASSEMBLY

5.1. CHECK CONTROL SETTINGS

- 5.1.1** Temporarily refit the control knob. Depress the knob and turn anticlockwise partially towards the 1/IGN position until some resistance is felt. Keep depressed at this position for a few seconds to purge air from the system then, while keeping it depressed, turn fully to the 1/IGN position. A spark should be generated at the pilot while turning. The spark should ignite the pilot.
- 5.1.2.** When pilot ignition has been achieved, keep the control knob depressed for approximately ten seconds to allow the thermocouple probe to warm up and then release it. If the pilot does not remain alight, ensure that the air has been purged, that the pilot orifice is clear and that the thermocouple connections are sound. Replace the pilot unit if necessary (see servicing section of this manual).
- 5.1.3.** Check all the control settings. These are:-
- | | |
|----------|--|
| Knob | |
| Position | |
| 2 | Centre radiant on low. Outer radiants off. |
| 3 | Centre radiant on full. Outer radiants off. |
| 4 | Centre radiant on full. Outer radiants on low. |
| 5 | All radiants on full. |
- 5.1.4.** Check reference pressure
The appliance is pre-set to give the correct heat input at the inlet pressure shown in section 1 of this manual. No adjustment is necessary. Check the burner pressure by fitting a pressure gauge at the test point. The test point is on the gas tap. Check the

pressure with the appliance alight and set at maximum output (Control position 5). After checking, turn off the appliance. Remove the pressure gauge and replace the test point sealing screw. Relight the appliance. Turn to the maximum output position and test around the sealing screw for gas soundness with a suitable leak detection fluid.

5.2. SPILLAGE CHECK

A spillage check must be made before leaving the installed appliance with the customer.

- 5.2.1** Close all doors and windows in the room containing the appliance.
- 5.2.2** Light the appliance and set the control knob to the maximum position (Position 5).
- 5.2.3** Leave the appliance on for five minutes.
- 5.2.4** Place the smoke match tube horizontally under the top lip of the radiant box and at least 50mm away from the sides of the radiant box. See figure 8. The installation is satisfactory if the smoke is drawn into the appliance. If the smoke is not drawn into the appliance, leave the appliance alight at the maximum setting for a further ten minutes and then repeat the test. If the smoke is still not drawn into the appliance, inspect the sealing of the closure plate. If the sealing is satisfactory but the appliance is installed with the flue restrictor (see section 3.3.8), remove the restrictor, reseal the appliance and retest. If smoke is still not drawn into the appliance ***Disconnect the appliance and seek expert advice.***
- 5.2.5** If the above test is satisfactory, open all internal connecting doors, hatches, etc. in the room. Keep all doors and windows that open to the outside of the building closed. recheck for spillage as above. If an

extractor fan is installed in the same room as the appliance or a connecting room, check that spillage does not occur with the fan operating and all doors and other openings between the fan and the appliance open. If the smoke is drawn into the appliance, continue with the installation. If the test is not satisfactory, **Disconnect the appliance and advise the customer of the cause of failure**

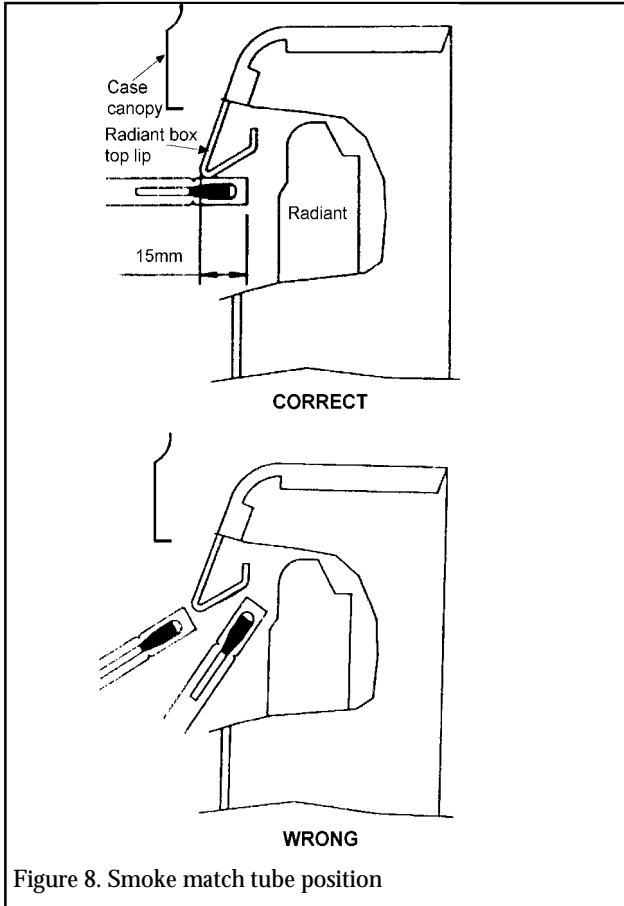


Figure 8. Smoke match tube position

5.3 FINAL ASSEMBLY

5.3.1 Fit the bottom trim using the two knurled screws to secure it to the side feet (see figure 9)

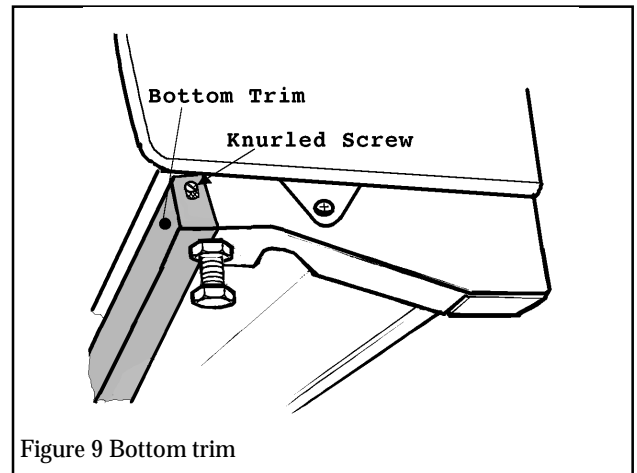


Figure 9 Bottom trim

5.3.2 Remove the control knob.

5.3.3 Refit the outer case making sure that the metal flanges at the top of the wood case locate fully in the brackets at the top of the back panel.

5.3.4 Refit the outer case retaining screws at the bottom sides.

5.3.5 Refit the control knob.

6. FINAL REVIEW

- 6.1.** Recheck the operation of the control.
- 6.2.** Visually inspect the appliance. Clean off any marks incurred during installation.
- 6.3.** Advise the customer how to operate the appliance.
- 6.4.** Advise the user that the appliance can be lit with a match if necessary by inserting it through the central opening at the bottom of the radiant box.
- 6.5.** Advise that the dressguard can be removed to replace the radiants. Show the customer how to remove the guard.
- 6.6.** Advise that any cleaning must only be carried out when the fire is off and cold.
- 6.7.** Mention that the radiants may become brown with use, that this is quite normal and has no adverse effect.
- 6.8.** Recommend that the appliance should be serviced and the chimney inspected by a competent person at least annually.
- 6.9.** Hand these instructions and the user's instructions to the customer.

7. SERVICING & PARTS REPLACEMENT

- *Always turn off the gas supply and make sure that the appliance is cool before commencing any servicing*
- *Always test for gas soundness and spillage after servicing the appliance*
- *It is recommended that, at least once a year, the appliance is disconnected and the catchment space behind the closure plate checked and cleared of any debris. The closure plate must be resealed to the wall after checking.*

7.1. TO REPLACE RADIANT(S)

- 7.1.1.** Remove the dress guard by pressing down the two hooks at the top. Tilt the guard forward and lift out.
- 7.1.2.** Remove the old radiant(s) Fit the new radiant(s) ensuring that they rest against the rear support bar and that their bottom front edges are behind the retaining tags near the front of the radiant box.
- 7.1.3.** Replace the dress guard.
Locate the bottom of the dress guard in the two holes in the bottom panel apron. Engage the two spring projections at the top of the guard in the slots under the front decorative canopy.

7.2 TO REMOVE THE OUTER CASE

- 7.2.1** Remove the control knob by pulling clear of the gas tap spindle.
- 7.2.2** Remove the outer case retaining screws at the bottom sides of the fire (Figure 3).
- 7.2.3** Lift the outer case up and forward to clear the top retaining brackets and the gas tap spindle (Figure 3). Put the case in a safe place.

7.3. TO REPLACE THE PILOT UNIT

- 7.3.1.** Remove the outer case - see section 7.2.
- 7.3.2.** Disconnect the thermocouple connection at the bottom of the gas tap.
- 7.3.3.** Disconnect the pilot pipe from the gas tap. It is the upper connection at the right side of the tap.
- 7.3.4.** Remove the first screw securing the dust cage to the pilot unit & burner. Carefully remove the dust cage and place aside. Remove the second screw securing the pilot unit to the burner.
- 7.3.5.** Disconnect the electrode lead from below the pilot electrode. Carefully remove the dust cage.
- 7.3.6.** Carefully remove the pilot unit together with the pilot pipe then disconnect the pipe from the pilot unit.
- 7.3.7.** Replace in the reverse order.

Note: 1 The pilot unit must be replaced as a whole assembly. Its individual components are not separately replaceable.

2. Once removed, ensure that the dust cage is cleaned before refitting. Make sure that it locates squarely onto the pilot unit without any gaps between the cage edges and the pilot unit.

7.4. TO REMOVE THE BURNER, GAS TAP & PILOT ASSEMBLY

- 7.4.1.** Remove the outer case - see section 7.2.
- 7.4.2.** Make sure that the gas tap is in the off position. Disconnect the control spindle & adapter from the gas tap by removing the split pin. Lift the adapter clear of the gas tap spindle.
- 7.4.3.** Disconnect the inlet pipe from the gas tap. It is the lower connection at the right side of the tap.
- 7.4.4.** Slacken the wing nut at the left side of the burner. Remove the screw from the captive nut at the right side of the burner. Carefully remove the burner, tap & pilot unit.
- 7.4.5.** Replace in the reverse order. Leave the burner fixing screw and wing nut loose while reconnecting the inlet pipe to aid alignment.
Make sure that the control knob with spindle is correctly turned to agree with the gas tap position before refitting the split pin.

7.5 TO REPLACE GAS TAP OR INJECTOR(S)

- 7.5.1.** Remove the burner, tap & pilot unit - see section 7.4.
- 7.5.2.** Disconnect the electrode lead from below the pilot electrode.
- 7.5.3.** Disconnect the thermocouple connection at the bottom of the gas tap.
- 7.5.4.** Disconnect the pilot pipe from the gas tap.
- 7.5.5.** Remove the gas tap fixing nut from the burner and slide out the gas tap.
- 7.5.6.** Unscrew the injector(s).
- 7.5.7.** Replace in the reverse order using jointing compound complying with BS 5292. *Take care when replacing the injectors. The injectors have ceramic tips at each end. It is important not to allow jointing compound to get on either end of the injectors.*
Make sure that the control knob with spindle is correctly turned to agree with the gas tap position before refitting the split pin.

7.6 TO REPLACE THE PIEZO GENERATOR

- 7.6.1.** Remove burner, tap & pilot unit - see section 7.4.
- 7.6.2.** Disconnect the electrode lead from below the piezo unit.
- 7.6.3.** Straighten the tabs securing the piezo unit to the tap niting plate and pull the piezo unit clear.
- 7.6.4.** Replace in the reverse order. Twist the tabs on the piezo unit to secure to the niting plate. *Make sure that the control knob with spindle is correctly turned to agree with the gas tap position before refitting the split pin.*

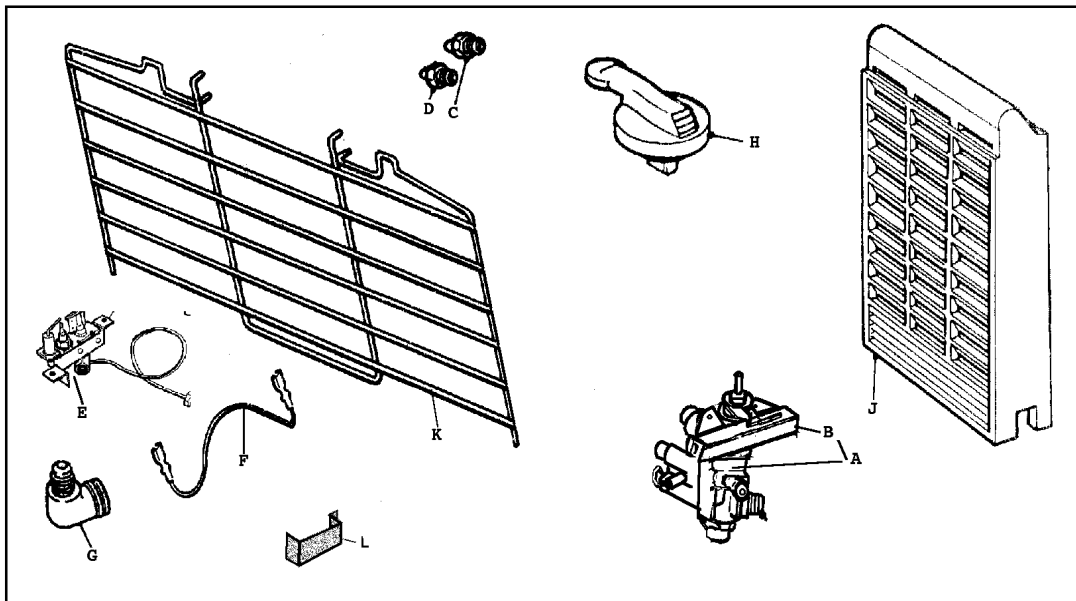
7.7. TO GREASE THE GAS TAP

- 7.7.1.** Remove the gas tap complete with piezo generator - see section 7.5.
- 7.7.2.** Remove the two screws and shakeproof washers securing the piezo generator. Carefully lift the piezo generator clear together with the gas tap head.
- 7.7.3.** Remove the spindle and spring from the tap.
- 7.7.4.** Note the position of the slot in the plug. Mark its position on the tap body.
- 7.7.5.** Rotate the plug and pull it out of the tap.
- 7.7.6.** Clean and grease the plug lightly with a suitable grease. Do not apply excessive grease. Particularly, make sure that the gas ports are not restricted by grease.
- 7.7.7.** Push the plug back into the tap body. Line up the slot in the plug with the mark previously made on the tap body.
- 7.7.8** Reassemble in the reverse order making sure that the components are correctly engaged. Check the operation of the tap and piezo. *Make sure that the control knob with spindle is correctly turned to agree with the gas tap position before refitting the split pin.*

7.8. TO REMOVE THE COMPLETE FIRE TO CHECK CHIMNEY FOR DEBRIS.

- 7.8.1.** Remove the outer case - see section 7.2.
- 7.8.2.** Remove the radiants and store in a safe place.
- 7.8.3.** Undo the inlet connection at the elbow located centrally below the burner.
- 7.8.4.** If wall mounted, remove the two lower fixing screws located in the back panel below the burner then remove the two upper screws accessible through the upper canopy grill. Lift the fire away from the wall.
- 7.8.5.** If hearth mounted, pull the fire away from the wall. *Take care that the levelling screw heads do not scratch the hearth surface.*
- 7.8.6.** Remove the closure plate from the chimney opening.
- 7.8.7.** Inspect the opening and clear away any debris from the base of the flue.
- 7.8.8.** Reseal the closure plate and refit the fire in the reverse order.

SHORT LIST OF SPARES



| KEY | DESCRIPTION | No. OFF | MAKER'S PART No. |
|-----|---|---------|------------------|
| A | Gas tap | 1 | 544609 |
| B | Piezo generator | 1 | 536939 |
| C | Injector Upper Bray cat 28 size 120 | 1 | 544619 |
| D | Injector lower Bray cat 28 size 250B | 1 | 545199 |
| E | Pilot unit | 1 | 545949 |
| F | Electrode lead | 1 | 544629 |
| G | Inlet elbow | 1 | 532519 |
| H | Control knob (Contour & Silhouette mahogany finish) | 1 | 559759 |
| | Control knob (Silhouette Black ash finish) | 1 | 544659 |
| J | Radiant | 3 | 544649 |
| K | Dress guard | 1 | 559749 |
| L | Dust cage | 1 | 567619 |

VALOR HEATING

ERDINGTON, BIRMINGHAM B24 9QP



Because our policy is one of constant development and improvement, details may vary slightly from those given in this publication.

©Valor Heating