

ATI CC

Operating and Maintenance

ATI CC INDIRECT HOT WATER CYLINDER

This ATI CC Indirect Storage Calorifier is supplied complete with magnesium anode, and a control panel containing - On/Off switch, control thermostat & thermometer.

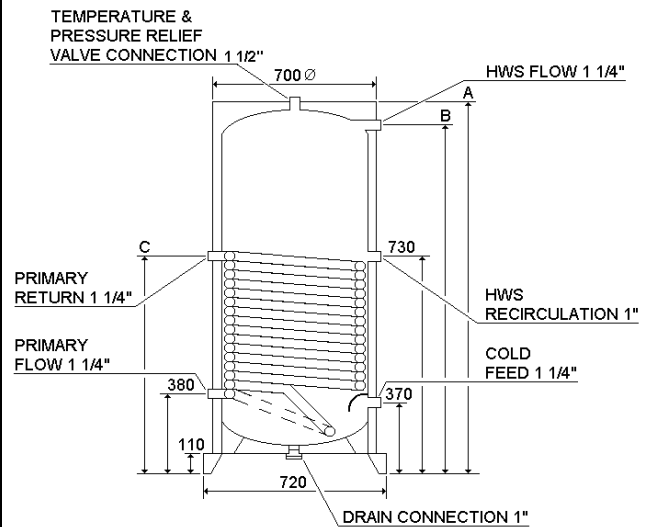
The storage tank is Opal glass lined internally and is fitted with a clean out and inspection flange. The unit is encased inside a red steel jacket complete with 50mm high density expanded foam insulation to minimise standing losses, and mounted on its own steel plinth.

INTERNAL INSPECTION OF THE WATER TANK.

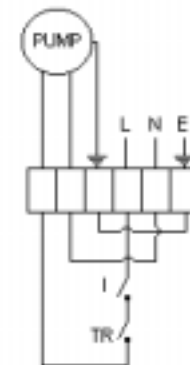
The unit should have an internal inspection of the water tank and cleaned at least once a year or the Warranty will be invalidated. However depending on the local water conditions and the usage of the water heater additional inspections may be required. We would recommend that within the first six months of a new installation an internal inspection is undertaken to determine the frequency of future inspections.

INSPECTION PROCEDURE

1. Turn off the electrical supply to the calorifier
2. Turn off the water supply to the heater and drain down.
3. Remove the clean out and inspection plate cover on the unit jacket.
4. Remove the six nuts on the inner inspection cover plate.
5. Remove the inner inspection cover plate and gasket with attached magnesium anode.
6. Inspect internal surface of the storage tank, removing any loose scale. Should any scale be firmly attached to the tank surface, then a chemical de-scale will be required.
7. Inspect Magnesium anode and if required unscrew and replace with new anode.
8. Re-fit cover plate with new gasket.
9. Re-fill system and test for water leaks.
10. Re-fit clean out and inspection plate cover on the unit.
11. Turn on electric supply.
12. Put calorifier back into operation.
13. Check calorifier water service for soundness and electric supply for conductivity.



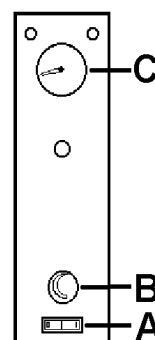
ELECTRICAL DETAIL FOR ATI CC MODELS



LEGEND

I = ON/OFF Switch TR = Control

ATI CC CONTROL PANEL



- A ON/OFF Switch
- B Adjustable control thermostat 0 - 70°C
- C Thermometer

STREBEL LTD
1F ALBANY PARK INDUSTRIAL ESTATE
FRIMLEY ROAD, CAMBERLEY
SURREY GU16 7PB
TELEPHONE: (01276 685422) FAX: (01276 685405)
E-mail address: info@strebel.co.uk
Website: www.strebel.co.uk