

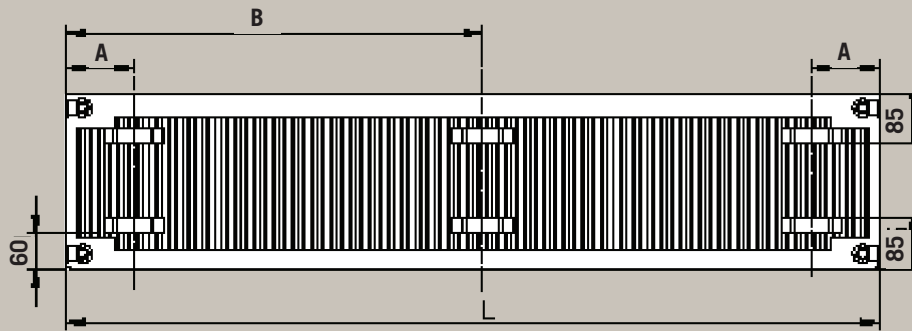
**Stelrad** RADIATORS  
Europe's leading radiators

# Stelrad Softline

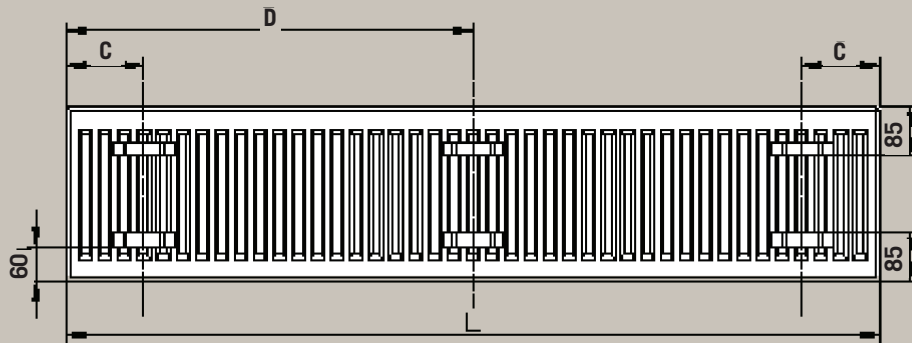
The NEW all-round radiator



## SOFTLINE COMPACT LUG POSITIONS



**TYPE K1**



**TYPE P+/K2**

	TYPE K1		TYPE P+/K2	
L	A	B	C	D
400	117	-	133	-
500 - 1100	150	-	133	-
1200 - 1600	283	-	267	-
1800 - 2000	283	$(L/2) + 17$	267	$(L/2)$



## Stelrad Softline compact TECHNICAL DATA & DIMENSIONS

## Heat outputs EN442 DT50 Watt

LENGTH	TYPE KI				TYPE P+		TYPE K2			
	HEIGHT									
	300	450	600	700	450	600	300	450	600	700
400		302	392	447		538		548	693	784
500	255	378	490	559		673	491	686	866	981
600		454	588	670		807		823	1039	1177
700		529	686	782		942		960	1212	1373
800		605	784	894		1076		1097	1386	1569
900		680	882	1005		1211		1234	1559	1765
1000	509	756	980	1117	1055	1345	982	1371	1732	1961
1100		832	1078	1229	1161	1480		1508	1905	2157
1200		907	1176	1340	1266	1614		1645	2078	2353
1400		1058	1372	1564	1477	1883		1919	2425	2745
1500	764						1473			
1600		1210	1568	1787	1688	2152		2194	2771	3138
1800		1361	1764	2011				2468	3118	3530
2000	1018	1512	1960	2234			1964	2742	3464	3922

## Stelrad Softline compact TECHNICAL DATA & DIMENSIONS

## Conversion to Btu/hr

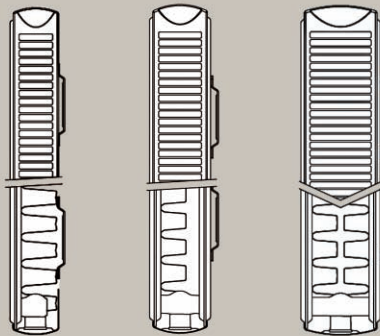
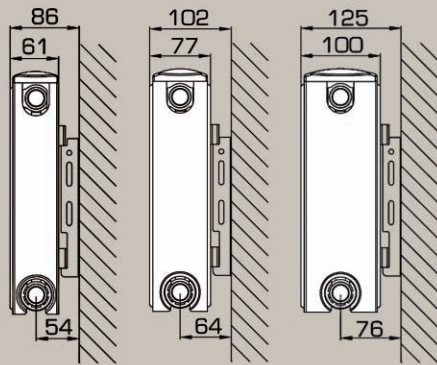
LENGTH	TYPE KI				TYPE P+		TYPE K2			
	HEIGHT									
	300	450	600	700	450	600	300	450	600	700
400		1030	1338	1525		1836		1870	2365	2675
500	870	1290	1672	1907		2295	1675	2341	2955	3347
600		1549	2006	2286		2753		2808	3545	4016
700		1805	2341	2668		3212		3276	4135	4685
800		2064	2675	3050		3671		3743	4729	5353
900		2320	3009	3429		4130		4210	5319	6022
1000	1737	2579	3344	3811	3600	4589	3351	4678	5910	6691
1100		2839	3678	4193	3960	5048		5145	6500	7360
1200		3095	4013	4572	4320	5507		5613	7090	8028
1400		3610	4681	5336	5040	6425		6548	8274	9366
1500	2607						5026			
1600		4129	5350	6097	5759	7343		7486	9455	10707
1800		4644	6019	6862				8421	10639	12044
2000	3473	5159	6688	7622			6701	9356	11819	13382

## EN 442 Certification Data

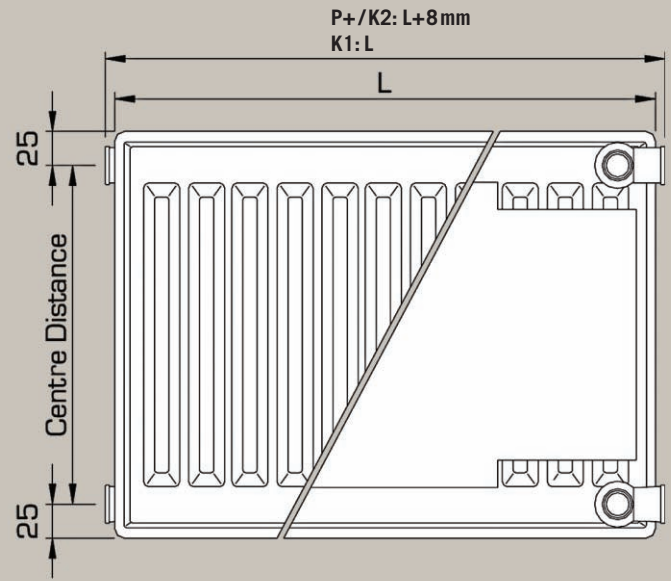
## HLK tested in accordance with BS EN 442

	TYPE KI				TYPE P+		TYPE K2			
	HEIGHT									
	300	450	600	700	450	600	300	450	600	700
W/m at 75/65/20	509	756	980	1117	1055	1345	982	1371	1732	1961
n-coefficients	1.32	1.31	1.29	1.29	1.33	1.34	1.33	1.33	1.33	1.34
Heated Surface Area (m <sup>2</sup> /m)	2.09	3.37	4.66	5.51	3.84	5.24	3.51	5.62	7.74	9.15
Weight (kg/m)	9.31	14.51	19.70	22.90	22.04	29.80	16.80	25.90	35.00	40.53
Water Contents (l/m)	1.89	2.57	3.25	3.77	5.15	6.60	3.70	5.15	6.60	7.63

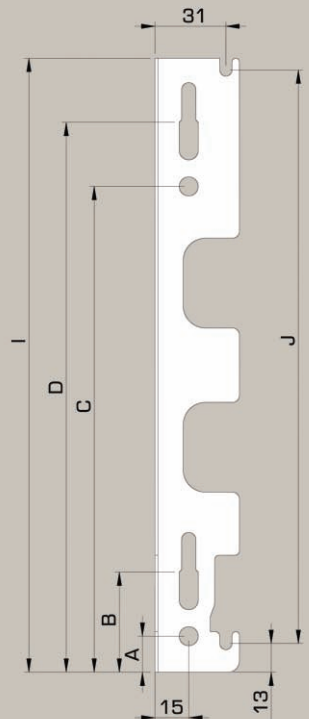
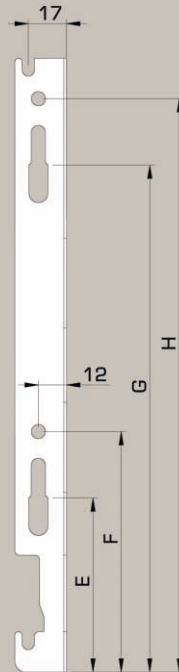
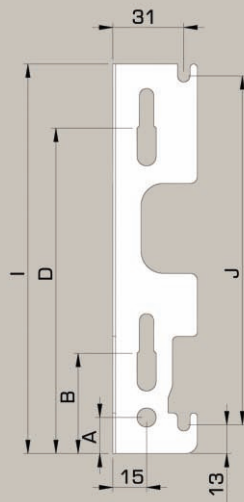
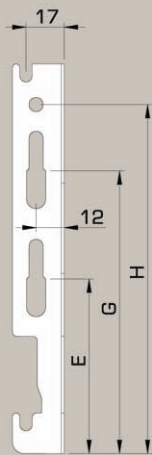
## SOFTLINE COMPACT: WALL DISTANCES AND L BRACKET



TYPE K1 TYPE P+ TYPE K2

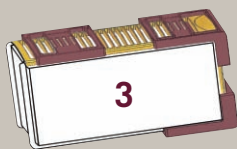
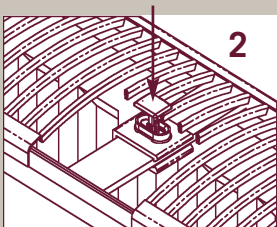
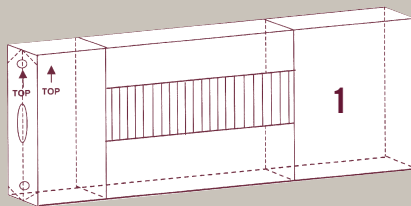


### L BRACKET DIMENSIONS



### SOFTLINE packaging and components -

1. End box design
2. Grille retaining clip
3. Plastic corner protection



H300

H450 - 600 - 700

RAD HEIGHT	300	450	600	700
A	16	16	16	16
B	44	44	44	44
C	-	266	416	516
D	144	294	444	544
E	77	77	77	77
F	-	107	107	107
G	125	275	425	525
H	155	305	455	555
I	173	323	473	573
J	155	305	455	555

## EXTRA PERFORMANCE TO GUARANTEED STANDARDS

The new Stelrad Softline range comes complete with all the features expected from a market leader and more. Combining the most sophisticated production resources in Europe, with substantial investment directed towards testing and verification of performance data, has resulted in the creation of a high output Compact radiator for heating performance that exceeds expectation.

Strictly controlled independent laboratory testing ensures that all Stelrad Compact radiators are guaranteed to perform to a maximum working pressure of 116 psi (8 bar) and conform to BS EN 442 - the European Standard for radiators.

As a measure of the all round dependable quality and performance, the Stelrad Softline comes complete with a 10 year Manufacturer's Warranty.

## SUPERB QUALITY FROM DESIGN TO INSTALLATION

The elegant, beautifully curved top grille and end panels, have been specifically designed to eradicate any movement, providing a tight, professional fit, that will remain in place, even after storage, transit and installation.

As you would expect from a radiator with the Stelrad pedigree, the convectors are precision welded directly onto the waterways for greater efficiency and economy, with flexible connection options for the highest of commercial and domestic application specifications.

Every radiator comes wrapped in robust, practical packaging that will keep the product pristine, right through to hand over! Protective through storage and transit, the new packaging design also allows installation prior to removal.

With beautifully curved top grille and end panels, the New Stelrad Softline compact radiator is the mould-breaking next generation compact from Stelrad.



## General TECHNICAL DATA

### TEMPERATURE TABLE

To apply the factors shown in the table below to our quoted outputs, multiply the quoted output by the chosen operating factor to give new output.

To apply the factor to required output, divide required output by factor to give correct radiator from the Stelrad Softline range.

### TESTING AND OPERATING PRESSURES

All models are high pressure tested to withstand 152.3 psi (10.5 bar), to perform at a maximum working pressure of 116 psi (8 bar) at a maximum temperature of 95°C.

### CAUTION

When designing for domestic systems we recommend that the Softline range be used only in heating systems complying with the British Standard Code of Practice for Central Heating for Domestic Premises BS 5449 Part 1.

Single feed, direct cylinders are not recommended as should interchange of water occur, fresh aerated water would enter the heating system, resulting in corrosion.

### INSTALLATION

Everything required for installation can be found within the robust packaging. Brackets are of a strong design, with open top and deep slots, which facilitate easy and secure installation. Plastic inserts seat the radiator precisely on the bracket minimizing expansion and contraction noise.

The neat nickel-plated plug and vent provide a watertight joint, whilst complementing the superior finish. To facilitate easy one off replacement, nickelplated brass extension pieces are also available, complete with sealing washer, in 20mm, 30mm and 40mm options. Recommended height from the floor to the base of the radiator is 150 mm minimum. This allows adequate airflow when the radiator is placed on the bracket.

TEMPERATURES			
Factors for differences between mean water temperature and room temperature in °C and °F other than 50°C (90°F)			
°C		°F	
5°C	0.050	10°F	0.057
10°C	0.123	20°F	0.142
15°C	0.209	30°F	0.240
20°C	0.304	40°F	0.348
25°C	0.406	50°F	0.466
30°C	0.515	60°F	0.590
35°C	0.629	70°F	0.721
40°C	0.748	80°F	0.858
45°C	0.872	90°F	1.000
50°C	1.000	100°F	1.147
55°C	1.132	110°F	1.298
60°C	1.267	120°F	1.454
65°C	1.406	130°F	1.613
70°C	1.549	140°F	1.776
75°C	1.694		

## WATER TREATMENT

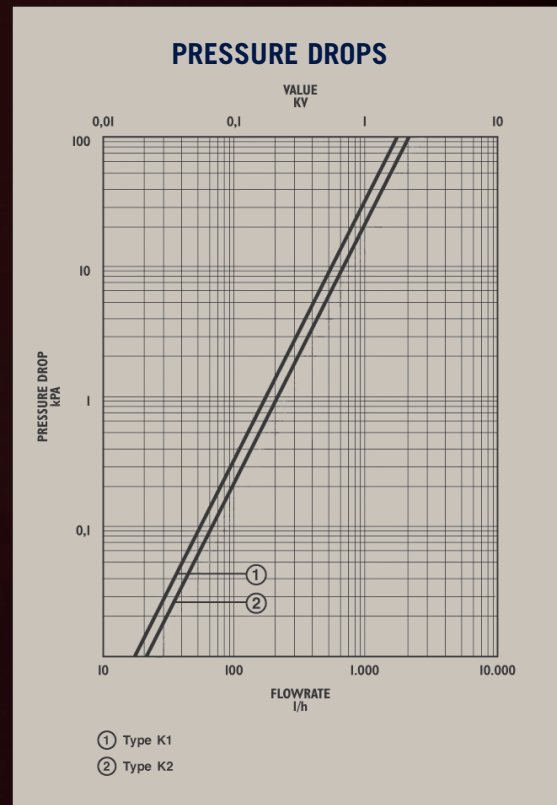
On completion of the installation the system should be flushed and filled in accordance with the British Standard Code of Practice for the Treatment of Water in Domestic Hot Water Central Heating Systems BS 7593.

This will remove flux residues and installation debris, which might promote corrosion and damage within the system.

If it is decided to apply a corrosion inhibitor to maximise the working life of the system, it should be applied in accordance with the manufacturer's instructions and should be suitable for the particular metals within the system.

Further details of readily available inhibitors can be obtained from: Sentinel Division, BetzDearborn Limited Foundry Lane, Widnes WA8 8UD

Tel: 0151 420 9595  
Alpha Fry Technologies, Tandem House  
Marlowe Way, Beddington Farm Road  
Croydon CR0 4XS Tel: 01799 550811



**BOILERS** *Stelrad* **RADIATORS**  
Together we are heating