



Staccato Turquoise

A low-level, wall-mounted fan convector, with thermostatic control, in a striking visual design to complement modern interiors. Front panel available in a range of seven colour options, with special colours available to order.

Independent tests* show that fan convectors are at least 24% more energy efficient than a panel radiator in heating up a room.

*Tests carried out by BSRIA (Building Services Research and Information Association) in August 2008

Model	Room Size Guide* (m ³)	Heat Output Δt 60°C		Heat Output Δt 50°C		Sound Levels		Colour options		Fan-Only
		Normal kW (Btu/h)	Boost kW (Btu/h)	Normal kW (Btu/h)	Boost kW (Btu/h)	Normal (dBA)	Boost (dBA)	Chassis	Fascia Panel	
Hydronic										
Staccato 11	60	2.1 (7200)	3.2 (10900)	1.7 (5800)	2.6 (8900)	34	50	Silver	Yellow/Orange/Red/Green/Turquoise/Blue/Black	•

*Room sizes given in cubic metres for general guidance only based on normal heat output (Δt 60°C) for domestic applications - always calculate heat losses. Δt 60°C assumes a mean water temperature of 80°C and room temperature of 20°C. Δt 50°C assumes a mean water temperature of 70°C and room temperature of 20°C. Hydronic outputs tested in accordance with BS 4856. Fan-only option operational only when central heating system is switched off. Sound levels measured at 1.5m.

Model	Flow & Return Connections	Mains Cable	Transformer	Flexible Hoses	Isolating Valves	Fused Spur	Power Consumption		Water Capacity (Litres)
							Normal Watts	Boost Watts	
Hydronic									
Staccato 11	15mm	1.5m	n/a	n/a	n/a	3A	28	36	0.75

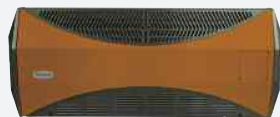
Staccato fascia panel options



Yellow



Green



Orange



Blue



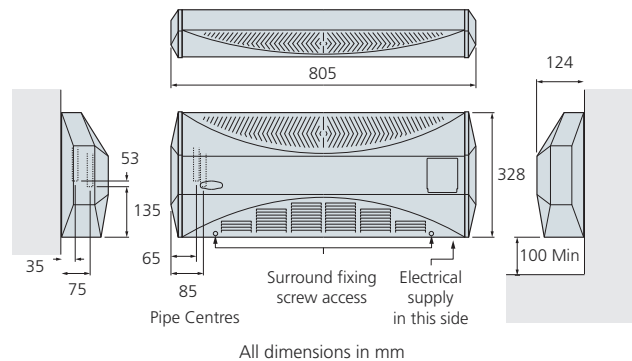
Red



Black

Colour	RAL Reference
Yellow	1016
Orange	2004
Red	3020
Green	6024
Turquoise	5018
Blue	5005
Black	9005

Other RAL colours available on request.



Staccato

Finish

Front fascia panel and chassis 0.9mm zinc-coated steel. Chassis polyester powder-coated in textured silver crackle (brilliant metallic EW4 OIF) with clear lacquer.

Front fascia panels available in the colours shown.

End panels: formed plastic coated MDF.

Installation

- Mounting bracket supplied
- Unit must be earthed
- Access to casing fixing screws from the front
- Suitable for two-pipe central heating systems only
- Minimum height above floor level 100mm, maximum height above floor level 500mm

Commissioning

Check water temperature is hot enough to activate low temperature cut-out thermostat (LTC).

Controls

Two rocker switches – normal/off/boost, fan-heating/fan-only.

Built-in room thermostat.

Low temperature cut-out thermostat set to energise fan at approx. 42°C (108°F).