

LPG 100E

USERS INSTRUCTIONS

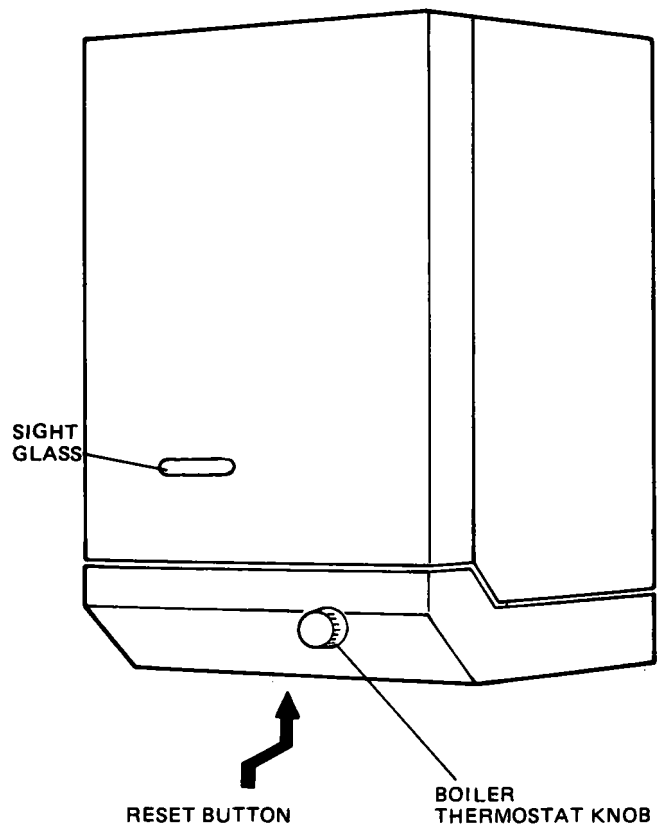
IT IS IMPORTANT THAT THE CASE OF THIS APPLIANCE IS NOT REMOVED FOR ANY REASON OTHER THAN FOR SERVICING BY A QUALIFIED SERVICE ENGINEER. THE APPLIANCE MUST NOT BE OPERATED WITHOUT THE CASING CORRECTLY FITTED AND FORMING AN ADEQUATE SEAL.

THIS APPLIANCE IS FOR USE ON PROPANE GAS ONLY.

IT MUST BE INSTALLED AND SERVICED BY A COMPETENT PERSON AS STATED IN THE GAS SAFETY (INSTALLATION AND USE) REGULATIONS 1994.

IF THE APPLIANCE IS INSTALLED IN A COMPARTMENT, DO NOT USE FOR STORAGE PURPOSES AND DO NOT OBSTRUCT ANY PURPOSE PROVIDED VENTILATION OPENINGS.

IF A GAS LEAK OR FAULT IS SUSPECTED TURN OFF THE APPLIANCE AND CONSULT YOUR LOCAL GAS REGION OR SERVICE ENGINEER



POTTERTON
user's
guide

INTRODUCTION

The information given on this card will help you to obtain the maximum comfort from your boiler with the minimum trouble and cost. Your boiler is fully automatic in operation and requires very little attention apart from setting the thermostat.

Regular skilled servicing is required to maintain the safe and efficient operation of your boiler throughout its long working life. Further information on this subject is given at a later stage.

ELECTRICITY SUPPLY

WARNING: THIS APPLIANCE MUST BE EARTHED

Connection shall be made to a 240V~ 50 Hz supply. The appliance must be protected by a 3 amp fuse.

SAFETY

The boiler should have the following minimum clearances for Safety and Maintenance, 610mm (2ft) at the front of the boiler, 5mm (3/16in) each side, 100mm (4in) at the bottom, 50mm (2in) at the top.

Flammable materials must not be stored in close proximity to the boiler.

Ensure that the flue terminal outside the house does not become obstructed, particularly by foliage.

THE BOILER THERMOSTAT

The boiler thermostat enables you to control the temperature of the water as it leaves the boiler and is also used for turning the boiler on and off. The thermostat knob can be set to O (OFF), 1,2,3,4,5 or Max. The graduations 1 to Max. correspond approximately to a temperature range of 55°C to 82°C (130°F -180°F).

During the summer months, when the boiler is only being used to supply stored domestic hot water and there is no independent hot water temperature control, the thermostat can be set to position 1 or 2 which will probably be hot enough for bathing or washing up requirements. For washing clothes, a higher setting may be necessary.

In winter weather, when central heating is required, the thermostat knob can be turned up higher but it must be remembered that unless the temperature of the water in the domestic hot water cylinder is independently controlled, the stored hot water could be at a temperature that could scald, i.e. about 82°C (180°F).

OTHER CONTROLS

A Potterton Electronic Programmer or other type of clock may have been fitted in your system, together with room and/or cylinder thermostats. Full instructions on the use of these controls should be supplied with them.

TO LIGHT

1. Ensure that the boiler thermostat knob is at 'O' (fully anti-clockwise).
2. Switch 'ON' the main electricity supply.
3. Ensure the electronic programmer or other time control, if fitted, is in an 'ON' period (refer to time control literature).
4. Ensure that any room and/or cylinder thermostats are at a high temperature setting.

Proceed as follows:-

Turn the boiler thermostat on and to the required setting. After a short period, the boiler will light: the main burner can be seen through the sight glass on the front of the boiler. Set the time control and any thermostats, where fitted, to their desired settings.

NOTE:- When the boiler is first lit, there may be a slight smell. This will disappear with use.

TO SHUT THE BOILER OFF

Turn the boiler thermostat knob to 'O', or switch the external programmer to the 'OFF' position. To relight the boiler, simply turn the boiler thermostat 'ON' or switch the programmer to the 'ON' position.

FOR LONGER SHUT DOWN PERIODS

Turn the boiler thermostat to 'O', isolate the electrical supply at the isolating switch, or pull the plug out of its socket.

NOTE

If the system is fitted with a low limit thermostat and protection of the system is required during cold weather, all that is required is for the programmer to be turned to the 'OFF' position. This will allow the boiler to cycle if the temperature within the house becomes too low.

IMPORTANT

Gas and electricity are required to operate your boiler. Its performance will not be affected by normal variation in gas or electricity supply, but a gas or electricity failure will put the boiler out of operation. It will automatically re-start when the supply is restored, provided that the time clock and/or thermostats are in an 'ON' position.

In the event of your boiler not working, there are several checks you should carry out before calling in a service engineer, as this could save you unnecessary expense.

1. Check that the gas, electricity and water are all turned on at the main supply.
2. Check that the time control, if fitted, is in an 'ON' period.
3. Check that all the thermostats in the system are not on low settings.

4. Overheat Limit Thermostat

The boiler is fitted with a safety thermostat to protect against overheating of the water. Should the boiler fail to light, allow it to cool and press the reset button. Access to the button is through a hole in the underside of the controls cover, see illustration on front page. If the problem persists, turn off the boiler and consult your local Gas Region or Service Engineer.

NOTE: Interruption of the electrical supply to the boiler may also cause the overheat limit thermostat to operate.

Having checked these points, run through the lighting procedure once more and if the boiler still fails to light, call in your local service engineer.

FROST PRECAUTIONS

If your boiler has to be shut down for several hours or more during very cold weather, it may be in danger of freezing, due to its position, i.e. it may be in an outhouse or part of the pipework may be vulnerable to frost. To avoid freezing, various methods of protection can be used:-

1. Insulation of the boiler and pipework, taking care not to impede any ventilation or air supply.
2. Completely draining the water system if not in use for long periods. On a sealed system, draining and refilling must be carried out by a competent person, e.g. your Service Engineer.

NOTE:

Although the system can be emptied by using the drain-off taps installed in the pipework around the system, to empty the boiler, it is necessary to remove the drain cap which is situated within the boiler case. This operation is best left to your Service Engineer.

3. Having a low limit thermostat fitted. Seek advice from your installer.

NOTE:

If a low limit thermostat has been fitted, it cannot operate if the boiler is completely shut down and the electricity supply is turned off. In this instance, the system will have no protection and one of the other methods must be used.

4. Where no frost protection is provided it may be necessary to run the boiler at low thermostat settings at times when it would normally be shut off.

CLEANING THE OUTSIDE OF THE BOILER CASING

The outside of the boiler casing can be wiped when necessary by using a damp cloth to remove finger marks etc. Do not use an abrasive as this may damage the casing finish.

CARE OF YOUR BOILER AND SYSTEM DURING
THE GUARANTEE PERIOD AND BEYOND

See Back Page

CARE OF YOUR BOILER AND SYSTEM DURING THE GUARANTEE PERIOD AND BEYOND

1. Registration of Purchase

It is important to register the purchase of your Potterton boiler to ensure you receive prompt and efficient handling in the event your boiler requires attention during the guarantee period.

To register your guarantee simply complete and detach the Registration of Purchase form enclosed with these instructions. It is important to include details of your installer (if known) and to return the completed form to the Potterton Registration Department.

2. During the Guarantee Period

In the event of any problems with your system or the operation of your boiler, you should **first call your installer**. If there is a fault with the boiler under guarantee which your installer is unable to rectify, he will call Potterton Service Operations. For 12 months after the date of installation of the boiler (or 18 months from the date of manufacture, whichever is the shorter), Potterton will attend to any manufacturing defect, on the appliance only (not the system or ancillary controls), free of charge for parts and labour, subject to there being no misuse or abuse. This does not affect your statutory rights.

Service visits by Potterton Service Operations outside the terms of the boiler guarantee will be charged for both parts and labour at our normal rates for chargeable work.

Back Page

During the period of the boiler guarantee, Potterton will only be responsible for the costs of work done by them or on their instructions by their Agent. We cannot accept any liability for expenditure or work done by other parties without our knowledge and/or approval.

3. Safety Check/Routine Maintenance

It is strongly recommended you have your boiler checked annually for safety and to have routine maintenance. This should be carried out by a CORGI Registered Installer/Service Agent or Potterton Service Operations to comply with the requirements of the Gas Safety (Installation and Use) Regulations 1994

4. Boiler Breakdown Insurance

We are pleased to offer you the opportunity to protect your investment once your boiler guarantee has expired, by the payment of an annual premium. You can continue with this insurance for the normal life of your boiler and you will find a special 30 day introductory offer for second year cover together with a card to register your purchase, as part of the 'User Pack' supplied with your boiler.

If you have not been handed a Registration Card/Optional 2nd Year Breakdown Insurance Offer, please contact the Potterton Registration Department for a copy by telephoning 0181 944 4972