

PARAGON SYMPHONY

ROOM SEALED INSET LIVE FUEL EFFECT GAS FIRE

OWNER'S MANUAL

**Please read these instructions carefully before you start
using the appliance**

Keep this booklet handy for future reference

**This appliance is
For use in GREAT BRITAIN or
IRELAND only**

**TELFORD
SHROPSHIRE
ENGLAND**

PARAGON SYMPHONY Instructions

CONTENTS

	PAGE
User's Instructions	
SECTION ONE Important Information	3
Consumer Protection	3
Health and Safety Notice	3
SECTION TWO Introduction	5
SECTION THREE Operation	5
Lighting the Fire	5
Turning Off the Fire	5
SECTION FOUR Cleaning and Log Laying	6
Cleaning Decorative Trim	6
Cleaning: Black Painted Surfaces	6
Cleaning: Glass Panel	6
Cleaning and Replacing Log	7
Installation Instructions	
SECTION FIVE Appliance Data	10
SECTION SIX Regulations and Warnings	11
SECTION SEVEN Siting the Appliance	12
General Requirements	12
SECTION EIGHT Preparing the Appliance for Installation	13
SECTION NINE Install the appliance	14
Installing the Appliance into a Cavity Wall	14
Installing the Appliance into a Deep Rebated Surround or Dummy Breast	16
Installing the Appliance into a Timber Framed Dwelling	17
Connecting the Gas Supply	19
Checking Gas Soundness	19
SECTION TEN Assemble the Appliance	19
SECTION ELEVEN Check Operation of Fire	20
Check Burner Pressure and General Operation	20
SECTION TWELVE Instruct and Advise Customer	20
Maintenance Instructions	
SECTION THIRTEEN Maintenance Instructions	21
General	21
Replacement of Gas Control	21
Replacement of Injector	21
Replacement of the Micro Switch	22
Replacement of the Thermocouple	22
Replacement of Pilot Injector	22
Replacement of Spark Electrode	22
Replacement of Spark Generator	22

PARAGON SYMPHONY Users Instructions

SECTION ONE Important Information

Consumer Protection Information

As manufacturers and suppliers of heating products, we take every care, as far as is reasonably practicable, that these products are so designed and constructed as to meet the general safety requirement when properly used and installed. To this end, our products are thoroughly tested and examined before despatch.

IMPORTANT NOTICE: Any alteration that is not approved by the appliance manufacturer could invalidate the approval of the appliance, operation of the warranty and could affect your statutory rights.

Health and Safety Notice

Important

This appliance could contain some of the materials, indicated below, that could be interpreted as being injurious to health and safety. It is the users / installers responsibility to ensure that the necessary personal protective clothing is worn when handling these materials, see below for information.

Artificial Fuels, Mineral Wool, Insulation Material, Refractory/Ceramic Fibres, Glass Yarn - *may be harmful if inhaled, may be irritating to skin, eyes, nose and throat.*

When handling *avoid inhaling and contact with skin or eyes. Use disposable gloves, facemasks and eye protection. After handling wash hands and other exposed parts. If a vacuum is used for cleaning the coals or cleaning after servicing / installation it is recommended that it be of the type fitted with a HEPA filter.*

Disposal of refractory/ceramic materials. *To keep dust to a minimum these materials should be securely wrapped in polythene and be clearly labelled 'RCF waste'. These materials are not classified as 'hazardous waste' and should be disposed of at a site licensed for the disposal of industrial waste.*

- The PARAGON SYMPHONY is an inset room sealed decorative fuel-effect gas appliance.
- The PARAGON SYMPHONY is available in **Natural Gas only**.
- The PARAGON SYMPHONY **must not** be installed into a natural draught flue or chimney.
- The PARAGON SYMPHONY should only be installed and serviced by a competent person i.e. CORGI registered, in accordance with the GAS SAFETY (INSTALLATION AND USE) REGULATIONS.
- The PARAGON SYMPHONY does not require a chimney, but **must be** installed against an outside wall.
- It is important that the flue terminal is regularly checked and kept clear at all times.
- If the terminal is accessible to people (i.e. less than 2m above a walkway, balcony etc.) the terminal guard must be fitted to prevent access to the flue outlet, which becomes hot when the fire is in use.
- As the PARAGON SYMPHONY is a room sealed appliance (i.e. air for the combustion process is taken from outside the room) no purpose built ventilation is required.
- The PARAGON SYMPHONY is designed and tested to meet the requirements of the European Standard EN 613.

PARAGON SYMPHONY Users Instructions

SECTION ONE Important Information Cont.

- Failure to install appliance correctly could lead to prosecution.
In GB (Great Britain), the appliance must be installed by a competent person i.e. CORGI-registered, in accordance with the GAS SAFETY (INSTALLATION AND USE) REGULATIONS, The Building Regulations (or The Building Regulations (Scotland) or The Building Regulations (Northern Ireland)) and The Current I.E.E. Wiring Regulations, if appropriate.
In IE (Ireland), the appliance must be installed by a competent person and installed in accordance with the current edition of I.S.813 Domestic Gas Installation, the current Building Regulations and the current ETCI rules for electrical installation, if appropriate.
- Although the PARAGON SYMPHONY is fitted with a glass front which acts as a dress guard it is strongly recommended that a fireguard should be used for the protection of children, the elderly or infirm. Fireguards should conform to B. S. 6539 (1984) (Fireguards for use with solid fuel appliance).
- The slots located at the top of the PARAGON SYMPHONY are the hot air outlets and as such must not be obstructed in any way (particularly by clothes or other combustibles). In addition such items should not obstruct the base of the appliance as this may adversely affect the performance of the appliance.
- Care should be taken to prevent any damage being caused to surrounding soft furnishings or decoration. Many wall coverings may become discoloured if placed too close to the appliance, it is strongly recommended that any proposed wall covering intended for use immediately above the appliance should be tested in the hottest position (immediately above) first. Run the fire on high over a few days
- All combustible material must be removed from behind the fire and fire trim.
- The first time you light your new appliance a smell may occur due to its new condition. This is quite normal and will soon disappear after a few hours use at maximum setting (open a window until the smell disappears)
- With use the inside of the air box will change colour, particularly the sides and rear. This is quite normal and often adds to the overall effects of the appliance.
- The appliance **MUST NOT** be used if the glass panel is not correctly fitted or if this panel is cracked or broken.
- Any debris should be cleaned from the appliance. A vacuum cleaner can be used but only after all the loose coals have been removed.
- ***Prior to removing or cleaning the coals refer to the 'Health and Safety Notice' located on page 3 of this booklet.***
- The appliance should be serviced annually by a competent person i.e. a **CORGI registered engineer** in accordance with these instructions.
- The glass or any part of the appliance **MUST NOT** be cleaned or wiped whilst the appliance is **HOT**, to do so could be dangerous and may damage the paintwork of the appliance.
- Only the fascia / ash pan cover provided with the appliance should be used.
- The Cerrowool would be expected to last approximately 250 hours subject to use and operational conditions it is normal for it to deteriorate over this time, it is not essential that it is used. Its does not impair the appliance or reduce the safety. This is provided no more than 2.5 grams are used. Old material must be fully removed before new material is applied.

PARAGON SYMPHONY Users Instructions

SECTION TWO Introduction

- The PARAGON SYMPHONY is an inset room sealed decorative fuel-effect gas appliance designed for use in locations that do not have a conventional chimney. The appliance must be installed against an outside wall because the air to support combustion is taken from the outside and the products of combustion are expelled to the outside.
- The gas control knob is located behind the ash pan cover.
- The appliance incorporates a safety device in the form of a FLAME SUPERVISION DEVICE, which constantly monitors the flame and will cause the gas to be switched off if the flames are extinguished for any reason. **THIS DEVICE MUST NOT BE OVERRIDDEN.** If this situation occurs on a regular basis have the appliance checked by a qualified engineer. The problem may be due to a blocked or restricted flue.
- Before removing the, trim, glass or log shapes for cleaning the fire should be turned off, and left to cool down.
- **NOTE:** In use some discoloration of the components will take place in the combustion box, this is normal, but can be kept to a minimum if the coals are placed correctly (i.e. after cleaning). See Section 4.
- As with all heating appliances certain areas (Working Surfaces) become very hot when the appliance is in use. Only the ashpan knob and the gas control knob should be touched when the fire is being used.

SECTION THREE Operation

Do not use this appliance without the glass panel fitted, or if this panel is cracked or broken.

The appliance control knob is located behind the ashtray cover.





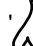


WARNING: If the burner or pilot is extinguished for any reason, do not attempt to re-light the pilot for at least three minutes.

LIGHTING THE FIRE

The pilot can be left on or the pilot can be extinguished and relit each time the fire is used.

The appliance Control Knob is positioned behind the fascia cover.

The full lighting procedure is as follows: -

- a. Push knob in as far as possible on gas control.
- b. Turn knob anti-clockwise until a click is heard. The knob will stop at the position marked  and a spark should be seen at the tip of the ignition probe. At the same time the pilot flame should light. KEEP THE KNOB PRESSED IN FOR 20 SECONDS. Should the pilot fail to light, turn the control knob clockwise to the  position, wait 3 minutes, and repeat the procedure.
- c. After lighting the pilot flame the control knob should be allowed to spring out slightly. This will allow you to turn the knob further anti-clockwise to the position marked . The pilot flame should then ignite the main fire.
- d. It is possible to adjust the height of the flames by turning the control knob between the positions marked  and . Note that the knob 'latches' in position at either end of this movement and must be pushed in slightly before it can be turned.
- e. To turn the fire off, depress the knob slightly and turn it to the  position.
- f. To completely extinguish the fire, depress the knob slightly and turn to  the position.

PARAGON SYMPHONY Users Instructions

SECTION FOUR Cleaning & Log Laying

Warning:-Before you clean any part of the appliance ensure that the appliance is switched off and cool.

CLEANING: DECORATIVE FASCIA

- Fascia assembly can be wiped with a soft, clean, dry, cloth only.

CLEANING: BLACK PAINTED SURFACES

- These surfaces should be dusted regularly and any marks removed with a soft cloth.
- Abrasive or chemical cleaner should never be used.

CLEANING: GLASS PANEL

From time to time it may be necessary to clean the glass panel.

We recommend you use a Ceramic Hob Cleaner (brands such as **HOB BRITE** and **VITRO CLEN** **have been found to be acceptable**) these are available from most leading Supermarkets.

Remove the glass panel as follows:

- Carefully lift off front fascia
- Slacken **do not remove**, the nuts securing the bottom glass clamp.
- Remove the nuts securing the side glass clamps, and remove the side glass clamps and buffer pads.
- While supporting the glass panel, remove nuts and the top glass clamp and buffer pad, and carefully lift the glass panel out of the bottom glass clamp and buffer pad.
- Lay the glass panel down on a flat working surface on top of an old opened newspaper with the side to be cleaned uppermost.

Follow the Instructions on the Hob Cleaner Bottle.

On stubborn stains (where the appliance has been used for a long period without glass panel being cleaned), use a new **Brillo Pad** well wetted with the Hob cleaner applied directly to it.

Ensure all the residues of the cleaner are removed with a damp cloth and the glass panel is completely dry before fitting to the appliance.

PARAGON SYMPHONY Users Instructions

SECTION FOUR Cleaning & Log Laying Continued

Note: - If the logs have not been placed correctly, causing the gas flame to contact the glass this may result in glass staining that cannot be removed by cleaning.

- Re-assemble in reverse order ensuring the seal on the glass clamps and buffer pads are fitted against the glass.
- Re-fit the fascia.

CLEANING AND REPLACING LOGS

Important: - Refer to the 'Health & Safety Notice located on page 3 of this booklet before cleaning or replacing any refractory material.

Use only the Logs provided NO OTHER LOGS SHOULD BE ADDED to the appliance

If logs are broken then they must be replaced before the appliance is used.

- The logs are delicate and should be handled with great care.
- The logs may be removed for cleaning. They can be brushed very gently with a soft brush to remove dust or any deposits.
- A vacuum cleaner may only be used after all the loose logs have been removed.

The Fuel bed set consists of:

- Rear Matrix Log.
- Bag of Vermiculite.
- Nine Individual log shapes.
- Bag of loose Bark.

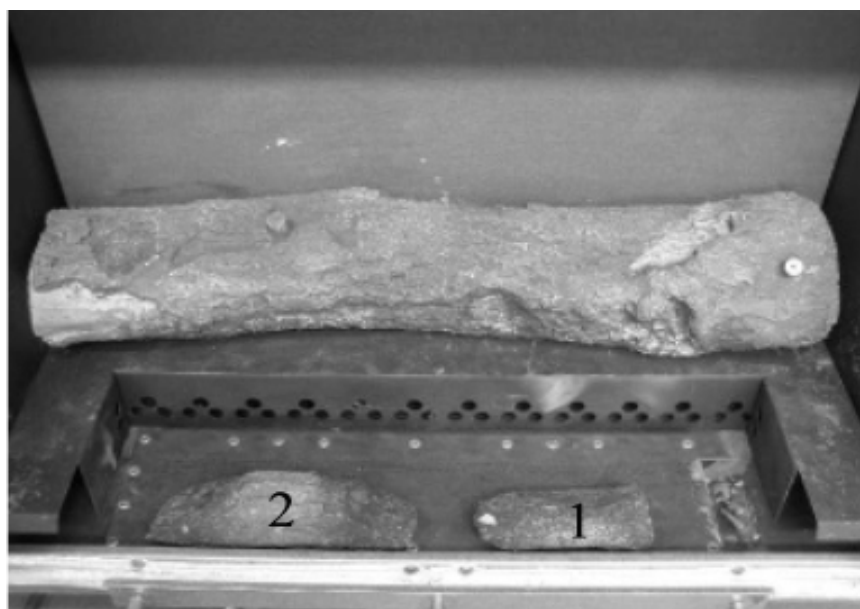
PARAGON SYMPHONY Users Instructions

SECTION FOUR Cleaning & Log Laying Continued

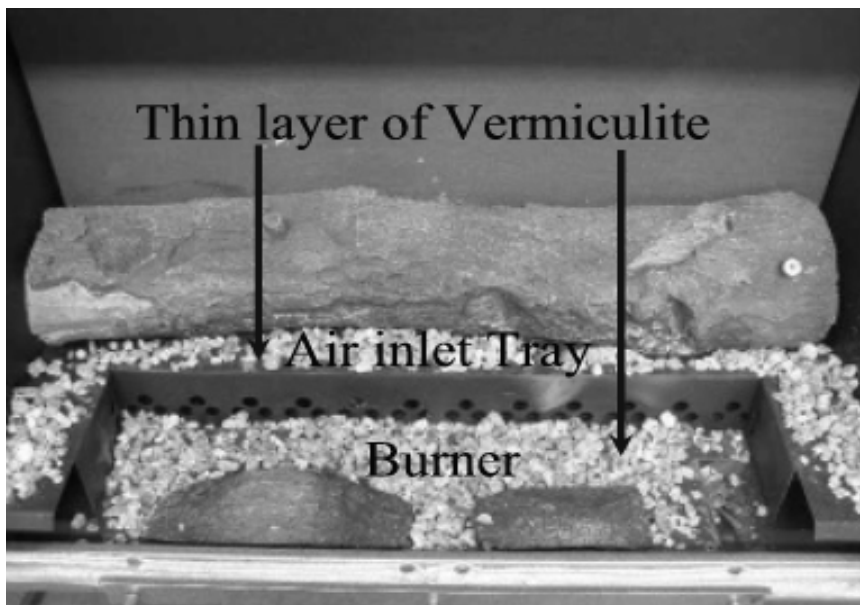
- Place the rear log matrix on top of Air inlet tray.(Lug to the right)



- Place the log shapes 1 and 2 as shown lying against the front edge of the burner.



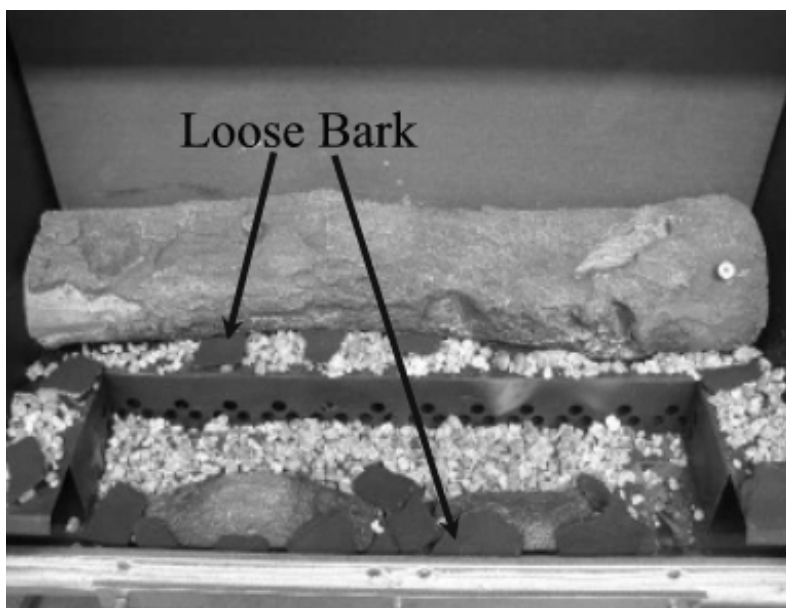
- Lay a thin layer of vermiculite over the burner top taking special attention to prevent blocking the pilot head assembly.
- Plus a further light covering over the exposed area on the Air inlet tray top.



PARAGON SYMPHONY Users Instructions

SECTION FOUR Cleaning & Log Laying Continued

- Place the loose bark shapes at random along the front edge of the burner top plus on top of the air inlet tray.
- Lay a cover of the Cerrowool over the burner by tease out the fibres until they form a very loose, very light network. Try to ensure that clumps of fibre are not formed. A loose net will allow gas to pass through them and ensure the maximum glow is attained.
- Position log shapes 3 and 4 as shown.



- Place Log shapes 5 and 6 as shown.



PARAGON SYMPHONY User Instructions

SECTION FOUR Cleaning & Log Laying Continued

Place Log shapes 7 and 8 as shown.



PARAGON SYMPHONY Installation Instructions

SECTION FIVE Appliance Data

Overall dimensions: Height 665mm
 Width 710mm
 Forward Projection: 75mm

Weight:

Flue Length Rear Vent 100mm (minimum) to 350mm (maximum)
 Top Vent 0.5 Metres (minimum) to 3 Metres (maximum)

Pressure Test Point Location: Gas inlet elbow

Gas Connection: 8.0mm O/D, tube.

Data Badge Location: On base of appliance behind control cover.

MODEL		Natural Gas (G20) Version
Category of appliance		C _{II}
NO _x Class		3
Efficiency Class		1
Gas Category		I _{2H}
Gas Type		G20 Natural Gas
Gas Pressure +/- 1.0mbar		20 mbar
Gas Input	Rear Vent	5.0 KW Gross
	Top Vent	6.5 KW Gross
(Min)		2.4 kW Gross
Injectors size	Rear Vent	360 Mark
	Top Vent	460 Mark

NOTE: The efficiency of this appliance has been measured as specified in BS EN613-2001 and the result is 78% natural gas. The gross calorific value of the fuel has been used for this efficiency calculation. Gas Tec have certified the test data from which it has been calculated. The efficiency value may be used in the UK Government's Standard Assessment Procedure (SAP) for energy rating of dwellings.

PARAGON SYMPHONY Installation Instructions

SECTION SIX Regulations and Warnings

- This appliance must only be installed in Great Britain or Ireland.
- The appliance is available in natural gas only.
- This appliance must be installed on a suitable outside wall.
- No special ventilation bricks or vents are required into the room containing the appliance.

- **In GB (Great Britain)**

It is the law that all gas appliances must be installed by a competent person; i.e. a CORGI registered installer, in accordance with the current Gas Safety (Installation and Use) Regulations (as amended), all relevant parts of the local and national building regulations and all relevant recommendations of the current British Standards. Failure to do so could lead to prosecution.

The following are the relevant codes of practice and British Standards: -

B.S. 5871 PART 2

B.S. 5440 PART 1

B.S. 6891

B.S. 1945

Note:- This appliance must be installed to current versions of the above standards and include any relevant amendments.

The Building Regulations issued by The Department of the Environment.

The Building Standards (Scotland) (Consolidated) Regulations issued by The Scottish Development Office.

- **IN IE, (Ireland)**

The appliance must be installed by a competent person and installed in accordance with the current edition of I.S.813 Domestic Gas Installation, the current building regulations, and the current ETCI rules for electrical installation, if appropriate.

WARNINGS

- As this appliance has components, which get very hot as with all such fires, it is recommended that a fireguard should be used for the protection of children, the elderly, or the infirm. Fireguards should conform to B.S.6539 (1984) (Fireguards for use with solid fuel appliances).
- During initial use, an odour may be evident. This will soon disappear if the fire is run on its maximum setting for a few hours.
- Care must be taken to prevent any damage being caused to surrounding soft furnishing or decoration, e.g. wall coverings may become discoloured if placed too close to the appliance.

PARAGON SYMPHONY Installation Instructions

SECTION SEVEN Siting the Appliance

(When installing in a timber framed dwelling reference must be made to the specific installation requirements stated in **Section 9 Installing the Appliance in Timber Framed Dwelling**). This appliance can be flued using two methods.

1 Rear vented using a standard flue air duct up to 350mm.

2 Top vent which will involve the changing over of the spigot position from rear to top, plus fitting a replacement injector plus addition restrictor plate with flue length exceed 2metres on a vertical rise.

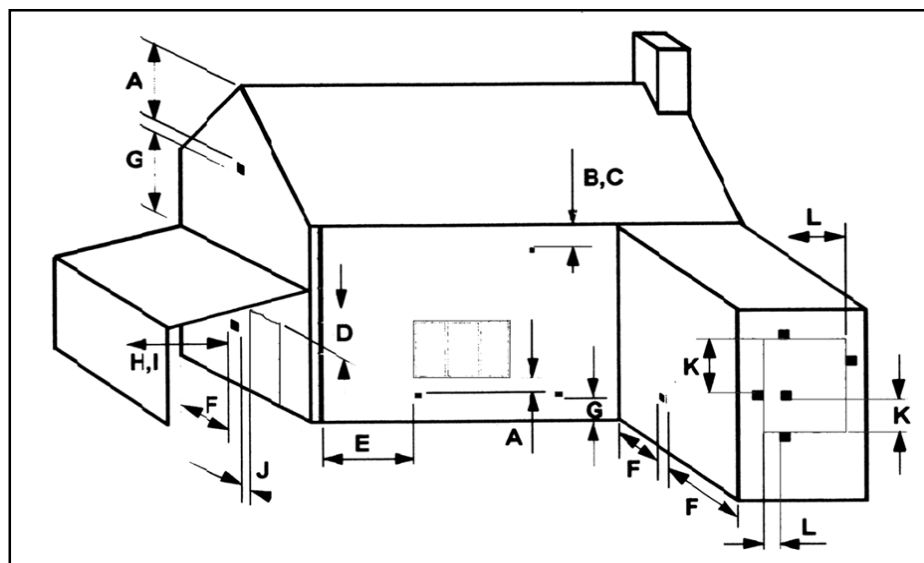
GENERAL REQUIREMENTS

Rear Flue

- The flue and air duct length must be between 100mm to 350mm. The flue and air duct must not have any bends. The 600mm length of flue can be cut down as requested.
- The flue outlet must terminate on a suitable outside wall.
- The minimum flue terminal clearances, which must be maintained, are as shown below.

Top Flue Up & Out

- The flue air duct length must not exceed between 0.5metre to 3metre. The flue air duct will require a 90 degree bend plus air duct terminal to a maximum length of 5 metre.
- The outlet must terminate on a suitable outside wall.
- The minimum flue terminal clearance, which must be maintained, are as shown below.

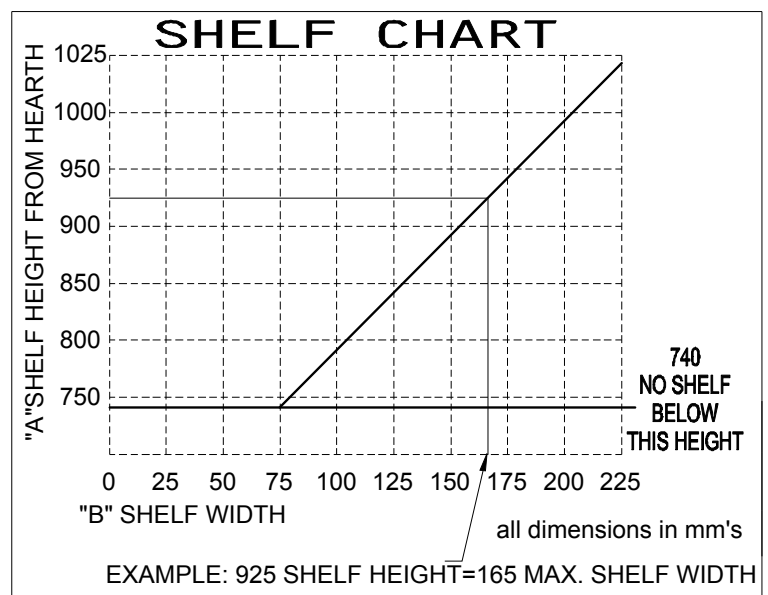
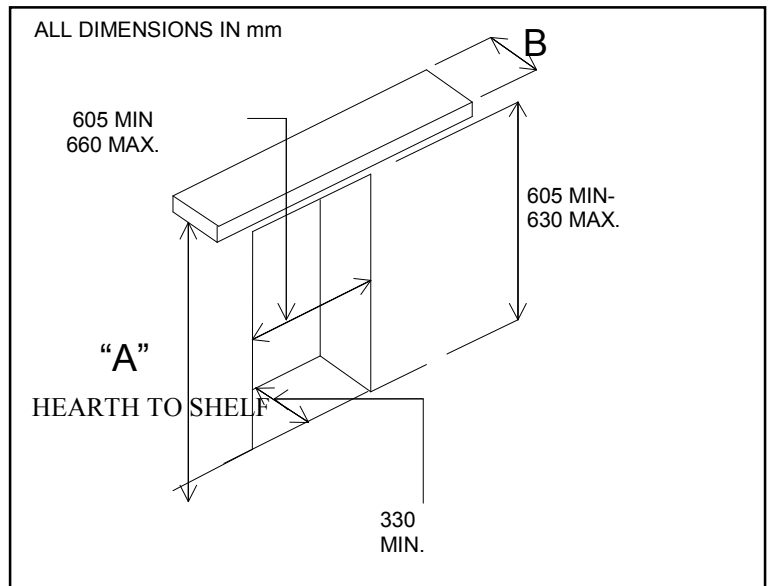


A	Directly below an openable window or other opening. E.g. air brick.....	300mm
B	Below gutters, soil pipes or drain pipes.....	300mm
C	Below eaves.....	300mm
D	Below balconies or carport roofs.....	600mm
E	From vertical drain pipes and soil pipes.....	75mm
F	From internal and external corners.....	300mm
G	Above ground, roof or balcony level.....	370mm
H	From a surface facing the terminal.....	600mm
I	From a terminal facing the terminal.....	1200mm
J	From an opening in a car port into a dwelling e.g. door, window, etc.....	1200mm
K	Vertically from a terminal on the same wall.....	1500mm
L	Horizontally from a terminal on the same wall.....	300mm

PARAGON SYMPHONY Installation Instructions

SECTION SEVEN Siting the Appliance Continued

- The back panel of the surround must have a cutout within the maximum and minimum dimensions as shown.
- Ensure that gas supply is suitably sited.
- A non-combustible hearth must be provided beneath the appliance if the appliance is fitted at low level (less than 150mm from floor). The hearth must have a minimum thickness of 12mm and the perimeter 50mm above floor level. The hearth must extend the full width of the appliance and must project forward a minimum of 100mm in front of the appliance.
- Alternatively the appliance may be fitted without a hearth (Hole in the Wall type installations), 150mm min. from the floor to the base of appliance.
- The minimum clearance from the hearth (base of appliance) to the underside of a combustible shelf should be determined using the shelf chart.
- Check with the supplier or manufacturer that the surround meets 150°C minimum rating (attention should especially be given to man made materials such as resin).
- When installing in a timber framed dwelling reference must be made to the specific installation requirements stated in **Section 10 Installing The Appliance In Timber Framed Dwelling.**



SECTION EIGHT Preparing the Appliance for Installation

- Carefully unpack the appliance from the carton and check the contents.
- Lift away the fascia unit, which hooks over the lip of the combustion chamber.
- Lay the appliance on its back ensuring suitable protection is provided for the carpet / floor.
- Remove the wing nut from around the glass panel and lift away carefully the four clamps and buffer pads holding the glass.
- With extreme care lift away the glass panel and put to one side in a safe place.
- Remove the refractory components from the inside of the appliance.
- The appliance is now ready for installation.

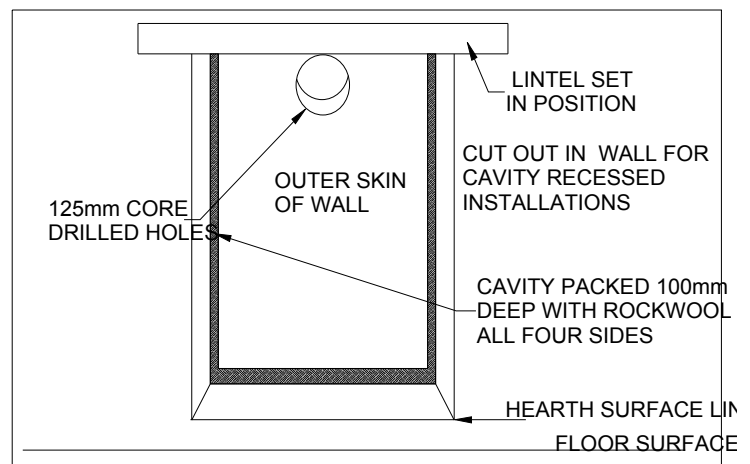
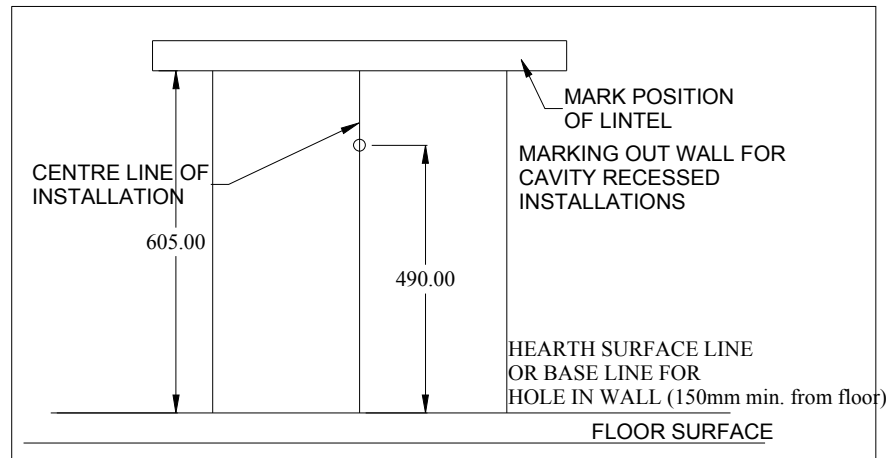
PARAGON SYMPHONY Installation Instructions

SECTION NINE To Install the Appliance

Rear Flue

INSTALLING THE APPLIANCE INTO CAVITY WALL OR SURFACE MOUNTING WITH SPACER FRAME KIT. (When installing in a timber framed dwelling reference must be made to the specific installation requirements stated later in this Section 'Installing The Appliance In Timber Framed Dwelling').

- Ensure it is a suitable outside wall constructed of non-combustible materials and that the flue position meets the requirements previously described in **Section 8**.
- Mark a horizontal line on the wall at the intended hearth surface or appliance base height.
- Mark a vertical line on the wall at the intended centre of the appliance up from the horizontal line for a height of 605mm.
- If inseting into the wall mark a horizontal line at a height of 605mm above the hearth line, joining the two outside lines together.
- If inseting into the wall mark the position for a lintel above the top horizontal line.
- Mark a short horizontal line so it crosses the centre line at 490mm above hearth level line. This is the centre point for the flue pipe hole.
- Using a long masonry drill, make a pilot hole completely through the wall. Ensure the hole is drilled accurately at the centre and square to the wall both horizontally and vertically at the cross point previously marked.
- If inseting into the wall proceed as follows: Cut out the brickwork of the inner skin of the cavity wall for the lintel, and fix the lintel.
- Cut out the brickwork under the lintel, between the two outside vertical lines into the cavity. Ensure the cutout width is square and try the appliance into the opening.



SECTION NINE To Install the Appliance Continued

- Using 150mm (6") core drill cut a hole following the pilot hole. Drill from the outside through to the cavity to give a good finish on the outside.
- Remove any cavity insulation from the cutout opening and for a further 100mm into the cavity gap each side and above.
- Pack "Rockwool" around the sides and top of the opening into the cavity for a depth of 100mm. Also put some behind the firebox if space is available.
- Lay the hearth if required so that it is positioned correctly to the horizontal line.
- Position and fix the back panel and surround if required.
- Offer the appliance into the opening and mark through the gas pipe entry hole (see connecting the gas supply section).
- Pass a tape measure through the core-drilled holes and record the distance from the inner and outer spigots to the surface of the outside wall. Include the length of the spigots themselves in this measurement for the engagement allowance.
- Increase both the recorded distances by 5mm (1/4") each, and mark the outer pipe measuring from the end of last rectangular slots in the terminal which will end up nearest the wall. DO NOT cut right through at this stage, as the inner tube needs to be LONGER than the outside one. Failure to do this correctly could lead to scrapping of the flue tube and having to order another to ensure safe operation. Cut the outer tube to length.
- Now measure from the same slots for the inside pipe dimension and cut to length.
- Remove the appliance from the opening, and position the gas supply (see connecting the gas supply later in this manual), taking account of the relative gas regulations regarding a gas pipe in a cavity (sleeving and sealing etc). Note the gas feed must be fitted with an isolation valve.
- Position and seal the pipes to their respective spigots on the rear of the appliance (use flue seal or fire cement to ensure airtight seal, it must not obstruct the flue).
- Push the appliance back into the opening and fill any space behind the appliance with "Rockwool".
- Complete the gas connection (see connecting the gas supply later in this manual).
- Drill the four fixing holes through the hole in the flange of the appliance and fix back using plug and screws (or machine screws provided for the spacer frame).
- If the flue outlet is fitted below 2m from the floor or a balcony then a flue terminal guard must be fitted.

PARAGON SYMPHONY Installation Instructions

SECTION NINE To Install the Appliance Continued

INSTALLING THE APPLIANCE INTO DEEP REBATED FIRE SURROUND OR DUMMY CHIMNEY BREAST. (When installing in a timber framed dwelling reference must be made to the specific installation requirements stated later in this **Section 'Installing The Appliance In Timber Framed Dwelling'**).

- Ensure there is a suitable outside wall constructed of non-combustible materials and that the flue position meets the requirements previously described.
- Mark a horizontal line on the wall at the intended hearth surface or appliance base height. If required the skirting board must be cut away from behind the fire.
- Mark a vertical line on the wall at the intended centre of the appliance up from the horizontal line for a height of 605mm.
- Mark a short horizontal line so it crosses the centre line at 490 mm above hearth level line. This is the centre point for the flue duct hole.
- Using a long masonry drill, make a pilot hole completely through the wall. Ensure the hole is drilled accurately at the centre and square to the wall both horizontally and vertically at the cross point previously marked.
- Using 150mm (6") core drill cut the hole following the pilot hole. Drill from the outside of the dwelling through to the cavity, and from the inside through to the cavity for best results.
- Remove any combustible material that may be present if the rear of the appliance is contacting the wall i.e. ensure no battens etc., behind dry lining in the area shown around the flue and top of firebox. Always remove a 25mm (1") area around the flue if plasterboard etc is present anyway.
- Lay the base (for Hole in Wall) so that it is positioned correctly to the horizontal line.
- Temporarily position and fix the back panel and deep surround, or construct a dummy chimneybreast as required, avoiding combustible materials coming in close proximity to the appliance or the flue.
- Offer the appliance into the opening and mark through the gas pipe entry hole (see connecting the gas supply later in this manual).
- Pass a tape measure through the core-drilled holes and record the distance from the inner and outer spigots to the surface of the outside wall. Include the length of the spigots themselves in this measurement for the engagement allowance.
- Increase both the recorded distances by 5mm (1/4") each, and mark the outer pipe measuring from the end of last rectangular slots in the terminal which will end up nearest the wall. **DO NOT** cut right through at this stage, as the inner tube needs to be **LONGER** than the outside one. Failure to do this correctly could lead to scrapping of the flue tube and having to order another to ensure safe operation. Cut the outer tube to length.
- Now measure from the same slots for the inside pipe dimension and cut to length.
- Remove the appliance from the opening, and position the gas supply (see connecting the gas supply later in this manual), taking account of the relative gas regulations regarding a gas pipe in a cavity (sleeving and sealing etc). Note the gas feed must be fitted with an isolation valve.
- Permanently fix the deep rebated surround in position, there is no need to pack the void behind the fascia panel of the deep rebated surround with "Rockwool" as the appliance casing has return edges to allow some convection air outlet to this space.
- Position and seal the pipes to their respective spigots on the rear of the appliance (use flue seal or fire cement to ensure airtight seal, it must not obstruct the flue).
- Push the appliance back into the opening.
- Complete the gas connection (see connecting the gas supply later in this manual).

PARAGON SYMPHONY Installation Instructions

SECTION NINE To Install the Appliance Continued

- Drill the four fixing holes through the holes in the flange of the appliance and fix back using plugs and screws.
- If the flue outlet is fitted below 2m from the floor or a balcony then the flue terminal guard must be fitted.

TIMBER FRAMED DWELLING

This method allows for installation in timber frame buildings. Where removal of any part of the inner timber leaf of the wall is involved the structural integrity of the wall must be maintained and the advice of your local Building Control Department should be sought. If the property is under N.H.B.C. cover, it is advised that their advice should also be sought. Reference should be made to the British Gas Publication DM2 "Guide For Gas Installations In Timber Frame Housing" or CORGI "Gas installations in Timber Frame Buildings" ISBN1-902632-30-3

Special attention must be paid to the location of the studwork frames of the inner leaf and the appliance positioned accordingly. Electrical cables and pipe work that run within the inner timber leaf must also be located and taken into account when positioning the appliance.

The following methods of installation may be adapted for use in timber frame buildings providing extra care is taken to protect combustible materials from contact with hot surfaces or build up of heat.

Method 1 (For installation into a extended fire surround or false chimney breast)

- An insulation material (20mm "Superlux" or equivalent) must protect all combustible surfaces (including plasterboard) situated within the opening.
- Where the flue duct passes through the inner timber leaf a concentric hole 200 mm diameter should be cut around the duct pipe, allowing a minimum 25mm air gap all round the duct pipe. A non-combustible sleeve 200mm diameter must be fitted to these clearance holes. Sheet metal is usually suitable.
- To ensure that any condensation formed on the duct pipe does not drip on to the inner wall a length of galvanised wire must wrapped around the flue pipe and secured in position by twisting the ends together. Ensure that the twisted ends are located at the bottom of the pipe and the wire is centrally located within the cavity.
- The vapour barrier on the back of the inner timber leaf should be carefully cut and fixed to prevent ingress of damp into the plasterboard layer.

TOP FLUE UP & OUT

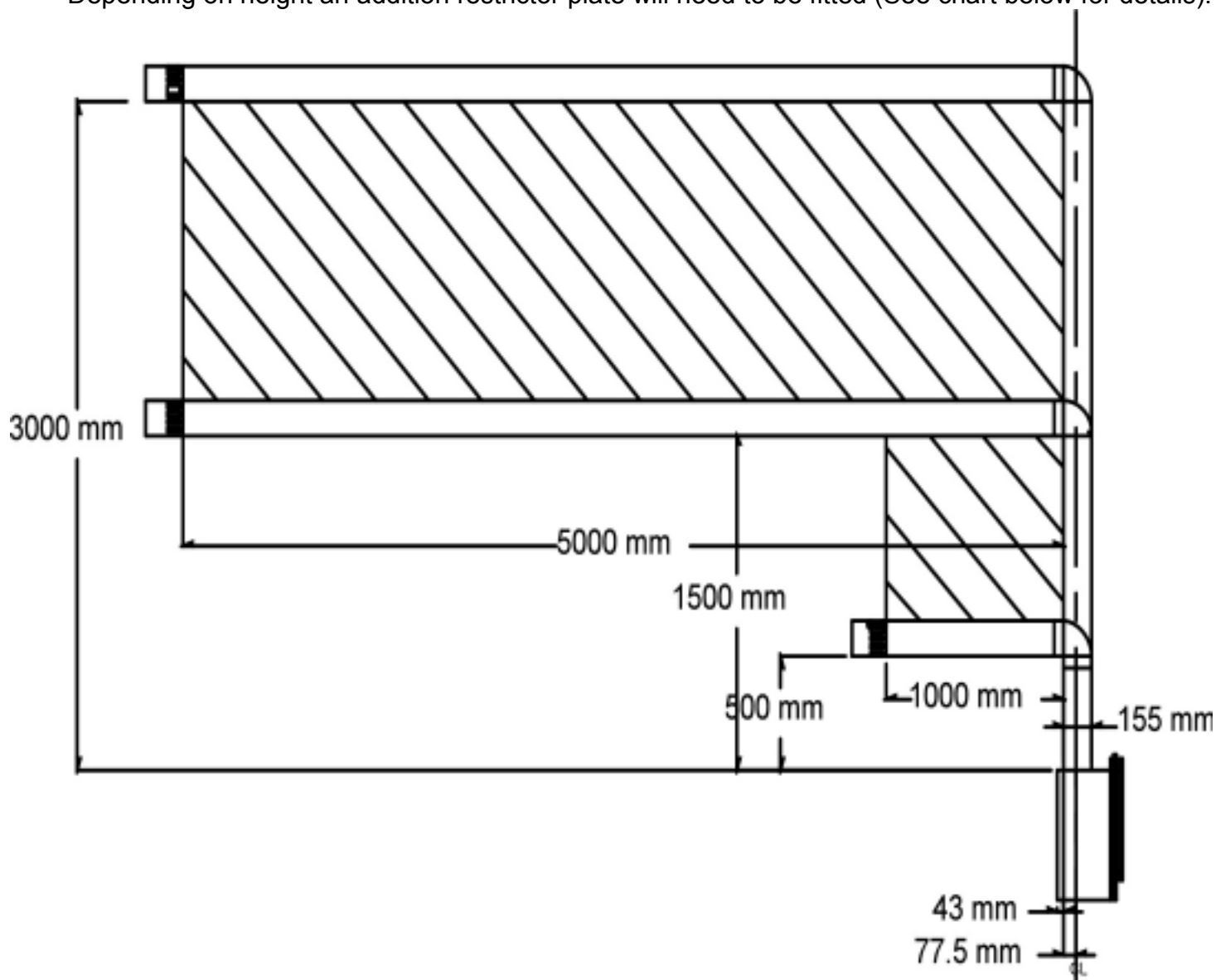
A top flue exit kit will be required (Part Number 0941) consisting the following

- 1 off Restrictor plate. (Only to be fitted when vertical runs exceed 2 metres).
- 2 off Gasket for both spigots.
- 1 off Injector (460MK)
- 1 off appliance adaptor
- 1 off Horizontal Terminal.
- 1 off 90 degree Elbow.
- Additional Flue lengths will be required. (See Optional Extra Flue Length Chart for Details).
- Carefully unpack the appliance from the carton and check the contents.
- Lift away the fascia unit, which hooks over the lip of the combustion chamber.
- Lay the appliance on its back ensuring suitable protection is provided for the carpet / floor.
- Remove the wing nut from around the glass panel and lift away carefully the four clamps and buffer pads holding the glass.
- With extreme care lift away the glass panel and put to one side in a safe place.
- Remove the refractory components from the inside of the appliance.
- Remove the inner and outer flue spigots from the rear exit of the fire box.

PARAGON SYMPHONY Installation Instructions

SECTION NINE To Install the Appliance Continued

- Remove the inner and outer blanking plates from the top of the firebox.
- Refit component in opposite position fitting the gasket provided.
- Remove and refit injector provided (See section fourteen changing injector)
- Decide on the terminal position and measure the height from the top of the appliance to the centre of the required hole. For the minimum and maximum flue dimensions. (Please see diagram below for details)
- Depending on height an addition restrictor plate will need to be fitted (See chart below for details).



Vertical Height mm	Injector Change Required	Restrictor Plate Required
500	1	0
1000	1	0
1500	1	0
2000	1	1
2500	1	1
3000	1	1

PARAGON SYMPHONY Installation Instructions

SECTION NINE To Install the Appliance Continued

OPTIONAL EXTRA FLUE LENGTHS

Addition Flue Length	Part Number
250mm Flue Length	4776
500mm Flue Length	4775
1000mm Flue Length	4774

CONNECTING THE GAS SUPPLY

TURN OFF ANY GAS APPLIANCES THAT ARE FED BY THE METER AND ISOLATE THE GAS SUPPLY BY TURNING OFF AT THE METER.

- Connections may be made from the front of the appliance from either the left or the right in 8mm-dia. pipe or a concealed connection from the rear of the appliance a hole with a grommet is provided at the rear.
- An isolating cock is fitted in the supply feed to the fire to facilitate servicing. It may be rotated for right gas connection.
- When a concealed gas fitting from the rear is required it is necessary to route the pipe to the left side of the unit, taking into account the requirements of BS 6891 1988 dealing with enclosed pipes.
- When installing the firebox into a cavity wall, any part of the installation pipe work installed in the void open to the cavity wall must be enclosed in a gas tight sleeve. It must be sealed at the point at which the sleeved installation pipe enters the fire (The Gas Safety (Installation and Use) Regulations Certificate of exemption number 1 of 1996). Where the pipe enters the fire the outer sleeve must be sealed to the grommet and the pipe must be sealed to its outer sleeve using suitable mastic.

CHECKING GAS SOUNDNESS

- Complete gas connection to the fire and check for gas soundness in accordance with current codes of practice.


SECTION TEN Assemble the Appliance

- Position the refractory Log components as described in section four of this manual, it is important that the logs are positioned exactly as described to ensure the correct operation of the appliance. Badly positioned Logs may result in the gas flame being driven forward onto the glass and permanently marking it.
- Position the lower glass clamp over the lower six studs ensuring the buffer pad is in position behind the clamp. Start the wing nuts on these six studs two turns on each.
- Taking great care, locate the glass panel into the space behind the lower glass clamp, ensuring it is positioned centrally, push it back into position and fit the top clamp and buffer pad with six wing nuts in the same manner.
- Fit the side clamps and buffer pads in the same manner with two wing nuts each.
- Tighten the wing nut up evenly ensuring that the glass compresses the seal on all four sides.
- Position the grill fascia so that it hooks centrally over the top flange of the combustion box and covers both glass side clamps. Note: - if the installation has no hearth (Hole in Wall) attach the bolt on fret to the rear of fascia first
- Position eight magnets in two pairs up each side of the appliance flange, and offer the decorative trim up squarely and centrally.

PARAGON SYMPHONY Installation Instructions

SECTION ELEVEN Check Operation of Fire

CHECK BURNER PRESSURE AND GENERAL OPERATION

- Remove the screw from the pressure test point on the burner inlet elbow and fit a pressure test gauge.
- Turn on the gas to the appliance. Purge the air from the appliance by rotating the control to the ignition position; push in to allow the air in the pipe work to be purged and the piezo to ignite the pilot.
- Check that the electrode is sparking at the gap between the thermocouple tip and the electrode; continue until pilot ignition is established.
- Depress the control knob slightly and rotate anti-clockwise until the index symbol is aligned with the  on the indicator label, release and allow the appliance to run for a period of approximately 5 minutes. Check that the inlet pressure 20mbar +/- 1 mbar for natural gas or 37mbar +/- 1mbar for propane.
- Turn off the gas control and remove pressure test gauge.
- Refit the screw into the pressure test point and turn on the appliance again, check that the screw has sealed with leak detection fluid.
- Turn the appliance off.
- Position a suitable fire fret up to the appliance conforming to the requirements referred to in section one of this manual.

SECTION TWELVE Instruct and Advise the Customer

- Demonstrate the lighting and extinguishing procedure to the consumer/user and the removal and refitting of the trim for cleaning.
- Explain that for the first few hours of the fire operating there will be an initial odour. This is due to the curing of the paint, the appliance should be operated on its high setting, and it is recommended that a window is left open until that odour has completely disappeared.
- Instruct on the glass removal and refitting.
- Instruct on the log cleaning and advise that a vacuum cleaner can be used but only after all the loose log and shapes have been removed. **Refer to 'Health & Safety Notice (See Section One) at the front of this booklet before proceeding.**
- Advise customer that with use the inside of the air box will change colour, particularly the sides and rear. This is quite normal and often adds to the overall effects of the appliance.
- Advise that the appliance should be serviced annually by a competent person i.e. a **CORGI registered engineer** in accordance with these instructions.
- Although the appliance is fitted with a glass front which acts as a dress guard it is strongly recommended that a fireguard should be used for the protection of children, the elderly or infirm. Fireguards should conform to B. S. 6539 (1984) (Fireguards for use with solid fuel appliance).
- **Hand these instructions to the user.**

PARAGON SYMPHONY Maintenance Instructions

SECTION THIRTEEN Maintenance Instructions

General

- Servicing should be carried out annually by a competent person such as a CORGI-registered person in accordance with the relevant regulations, to ensure the safe and correct operation of the appliance.

Warning: - Before commencing any service or replacement of parts, turn off the gas supply to the fire.

- After servicing check for gas soundness.
- When ordering spare parts please quote appliance name and serial number these can be found on the data badge, which is located on the base of the appliance behind the control cover.
- If soot has accumulated check to establish cause, rectify and clean flue accordingly.

Important: - Refer to 'Health & Safety Notice (See Page 3) at the front of this booklet before removing the fuel bed components.

- Examine the log for signs of cracking and replace if necessary.(IMPORTANT) see log layout procedure in section four of this manual before attempting to replace log, which should only be replaced as a complete set with no extra log added.
- Check pilot aeration holes for linting, use a vacuum cleaner to remove any lint taking care not to damage the pilot head.

Replacement of Gas Control

1. Remove the fret and turn off the gas supply by the isolation cock.
2. Remove glass panel as described in this manual.
3. Remove all loose logs.
4. Remove moulded ceramic parts.
5. Remove 2 nuts fixing the rear refractory matrix support in place, and lift out the support.
6. Remove the long nut; fixing the burner in place this is at the left-hand end of the burner and lift out the burner.
7. Remove the nut fixing the thermocouple to the pilot bracket.
8. Remove the nut fixing the pilot tube to the pilot bracket
9. Pull off the connection to the spark electrode
10. Undo the supply connection to the pressure test elbow.
11. Undo and remove the back nut fixing the main injector in place.
12. Remove the two screws holding the gas valve bracket to the casing.
13. Remove the two screws holding the gas feed pipe.
14. Move the whole assembly to the right to release the injector and pull forward to remove.
15. Disconnect the pipes and thermocouple from the gas valve.
16. Pull off the control knob and remove the two screws fixing the gas valve to its bracket.
17. Change or service the valve and replace in reverse order, ensuring that the seal around the injector fixing is sound (change if in doubt).
18. Turn on the gas supply, check for soundness and re- commission.

Replacement of Injector

1. Repeat operations 1-14 for removal of gas control.
Clean or replace injector and replace in reverse order, ensuring that the seal around the injector fixing is sound (change if in doubt).
2. Turn on the gas supply, check for soundness and re- commission.

SECTION THIRTEEN Maintenance Instructions Continued

Replacement of the Micro Switch

1. Repeat operations 1-14 for removal of gas control.
2. Pull off the cable connections from the switch.
3. Remove the two nuts holding the switch in place and lift away the switch, replace in reverse order, ensuring that the seal around the injector fixing is sound (change if in doubt).
4. Turn on the gas supply, check for soundness and re- commission.

Replacement of the Thermocouple

1. Repeat operations 1-14 for removal of gas control.
2. Pull off the cable connections from the switch, and undo from rear of valve.
3. Replace in reverse order, ensuring that the seal around the injector fixing is sound (change if in doubt).
4. Turn on the gas supply, check for soundness and re- commission.

Replacement of the Pilot Injector

1. Undo the pilot tube nut at the pilot bracket.
2. Pull the pipe gently back taking care not to damage.
3. Remove the pilot injector from inside the pilot bracket.
4. Clean or replace in reverse order, turn on the gas supply, check for soundness and re- commission.

Replacement of the Spark Electrode

1. Remove the cable from the electrode connection.
2. Undo the electrode nut at the pilot bracket.
3. Remove the electrode carefully.
4. Clean or replace in reverse order, and re- commission.

When ordering parts quote 'PARAGON IBF' and the serial number of the fire, which can be found on the data badge located behind the ash pan cover. (Refer to cleaning instructions for trim removal.)

Paragon Fires

Telford
Shropshire
TF7 4QJ

Telephone 01952 278 020

Web Site www.paragonfires.co.uk

PARAGON SYMPHONY

**THIS IS YOUR EXTENDED THREE YEAR PARTS
WARRANTY**

PLEASE READ IT CAREFULLY AND ENSURE YOUR INSTALLER HAS FILLED IN THE FIRST PORTION, KEEP IT IN A SAFE PLACE SO THAT IT IS AVAILABLE WHEN YOUR CORGI ENGINEER CARRIES OUT THE ANNUAL SERVICE.

THIS IN NO WAY REDUCES YOUR STATUTORY RIGHTS

THE WARRANTY COMMENCES FROM THE DATE OF PURCHASE YOU MUST RETAIN YOUR RECEIPT OR INVOICE AS PROOF OF PURCHASE.

THIS EXTENDED WARRANTY SPECIFICALLY EXCLUDES SOFT REFRACTORY COMPONENTS, THE BULB AND ANY BATTERIES.

Terms and Conditions

1. The appliance must be installed by a CORGI registered person.
2. The appliance must be used in accordance with the users instructions.
3. The appliance must be serviced annually by a CORGI registered person.
4. The service log must be correctly filled out and the record of annual services must be up to date and supported by receipts in each case.
5. This warranty is not transferable and relates to the original installation only.
6. The Registration Form must be correctly filled out and returned.
7. The appliance has not been subjected to misuse or accident or been modified or repaired by any person other than the authorised employee or authorised representative of Charlton and Jenrick Ltd.
8. The registration form must be returned within 3 months of purchase.

PARAGON HELPDESK NUMBER 01952 278 020

WARRANTY COVER

Important

For future reference we suggest you record the following details here, and keep the receipt as proof of purchase. This information may be asked for when you contact the helpdesk.

Model: **PARAGON SYMPHONY**

Serial No.

This information can be found on the label attached to the packaging and on the data badge, which is located on the base of the appliance behind the control cover.

Retailer Name: _____

Address: _____

Date of Purchase:

Service Log

The following information must be complete and supported by receipts as part of the conditions of the extended three year parts warranty and the appliance must be registered by completing and returning the registration document (last page of this booklet) to Paragon Fires.

Date of First annual service:

Engineer Name _____

Corgi Registration No.

Date of Second annual service:

Engineer Name _____

Corgi Registration No.

We may introduce modifications to products from time to time, and consequently the details given in this booklet are subject to alteration without notice.

Paragon Fires

Telford

Shropshire

TF7 4QJ

Telephone 01952 278 020

Web Site www.paragonfires.co.uk

PLEASE REGISTER YOUR 12 MONTH WARRANTY WITH US TODAY

Simply detach this sheet from this booklet, complete and return it in a stamped addressed envelope to:

PARAGON FIRES

Charlton and Jenrick Ltd
UNIT G1 – G3
HALESFIELD 5
TELFORD
SHROPSHIRE
TF7 4QJ

YOUR DETAILS

Name _____

Address _____

Post Code

--	--	--	--	--	--	--	--

TELEPHONE No.

--	--	--	--	--	--	--	--	--	--	--	--	--	--	--	--	--	--	--

PRODUCT DETAILS

Model: **PARAGON SYMPHONY**
Serial No.

--	--	--	--	--	--	--	--	--	--	--	--	--	--	--	--	--	--	--

Date of Purchase

--	--	--	--	--	--	--	--

This information can be found on the label attached to the packaging and on the data badge, which is located on the base of the appliance behind the control cover.

WHERE DID YOU PURCHASE THIS PRODUCT

Name _____

Address _____

Post Code

--	--	--	--	--	--	--	--

TELEPHONE No.

--	--	--	--	--	--	--	--	--	--	--	--	--	--	--	--	--	--	--

Paragon SYMPHONY Packing

Product ID Label	0939	Serial No Prefix	HK
Data Badge			
Burner Tray / Box Assembly			
Air Test Completed			
Microswitch Check			
Warning Label (Fire Guard)			
Coal Set (2219) Included Rear Matrix, Front Matrix & 6 no. coals.			
Cerrowool (2pks 4997)			
Seal with Fascia Fixing Screw (2)			
Restrictor Elbow (2189)			
Vermiculite			
Glass Panel			
Owners Book			
Serial Number			
Inspector			