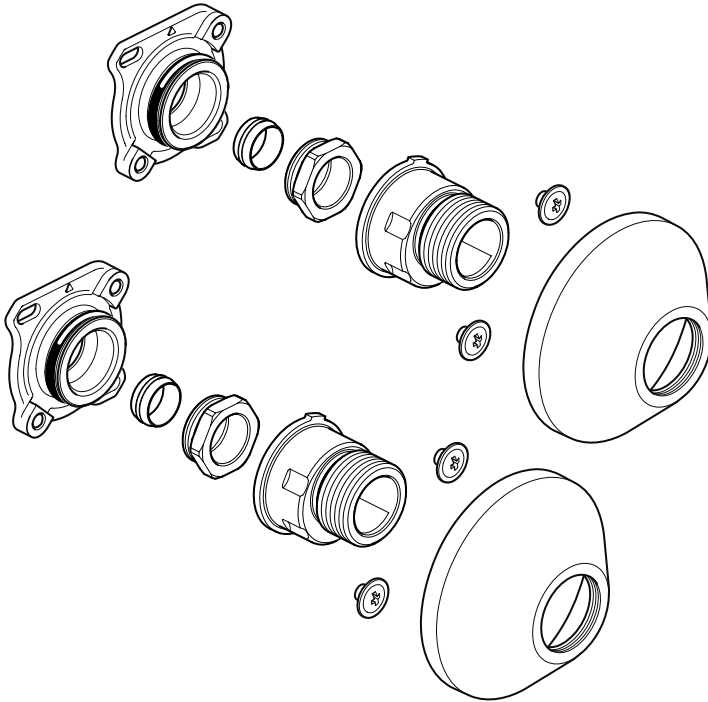


mira

SHOWERS



BAR VALVE FIXING KIT

PART NO: 1663.017

Genuine Mira Accessories

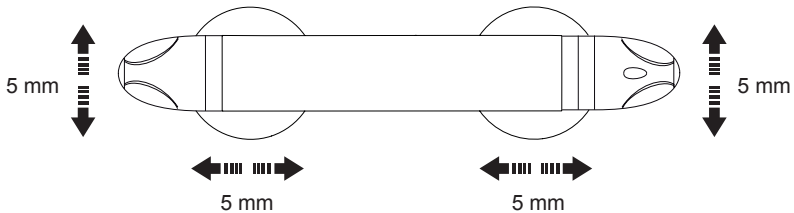
Introduction

Please take time to read this guide thoroughly, having done so, keep it handy for future reference.

This Fixing Kit has been designed to make the installation of Bar Valves easier and more secure and has the following benefits over traditional 'Z' connectors:

- Water connections are made in front of the finished wall surface
- Easy centre and levelling adjustment
- Foam seal to prevent water ingress
- Bar valve is secured to the wall
- Suitable for any bar valve using 3/4" female threads
- Can be used on plastic barrier pipes (with suitable pipe insert)

Adjustment

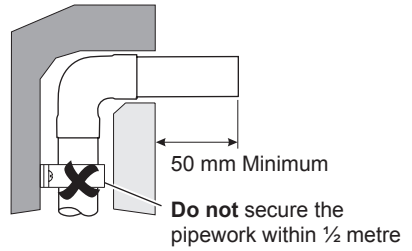
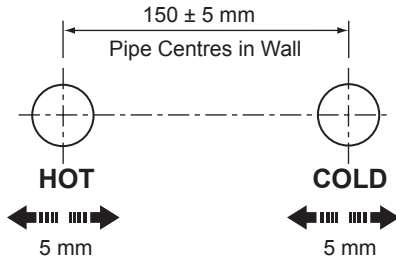


Note! These instructions are for the installation of the Bar Valve Fixing Kit only and should be read in conjunction with your Bar Valve Installation and User Guide. This kit replaces any 'Z' connectors or wall mounting brackets that may have been supplied with your Bar Valve.

Patent Application:

GB 0818001.0

Installation

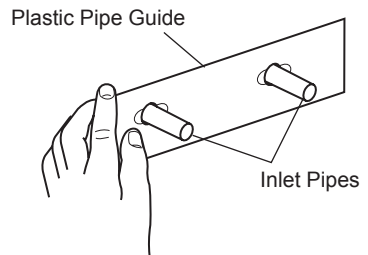


1. Install the pipework making sure that it is level and set the correct distance apart (150 ± 5 mm).

Important!

- Pipework must not be secured behind the wall surface within $\frac{1}{2}$ metre of the bar valve.
- Each pipe must allow a minimum 5 mm horizontal movement (if this is not possible an alternative fixing method for rigid pipes is available).
- Pipes must be left a minimum of 50 mm long.
- Connections are: **Hot-Left, Cold-Right**. This is very important as most bar valves do not allow for reversed inlets.
- For solid walls flexible conduit must be used.
- Pipes must be straight and at 90° to the finished wall surface.

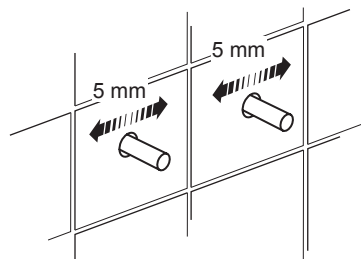
2. Fit the plastic pipe guide over the inlet pipes to hold them in position.



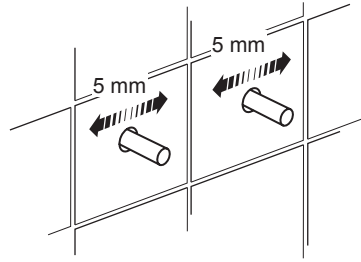
3. Leave the plastic pipe guide in place and finish the wall.

Important! Make sure that when tiling, 5 mm pipe movement remains.

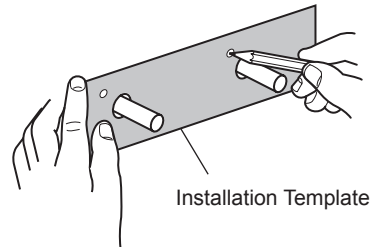
Holes should be drilled between $\text{Ø}19$ mm and $\text{Ø}22$ mm.



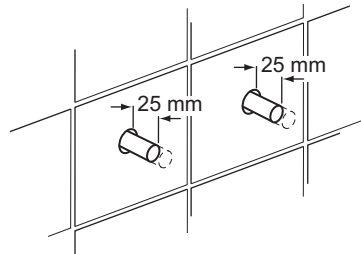
4. **Important!** Make sure that there is still horizontal movement on the inlet pipes, if not, continue with the installation making sure that you complete section: '**Installation with Fixed Pipework**' when instructed, this will avoid cracking tiles.



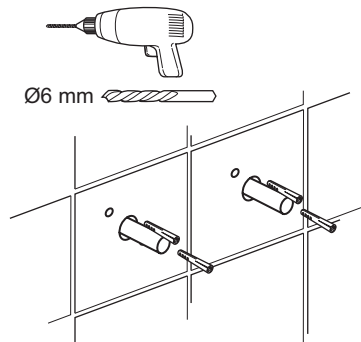
5. Fit the installation template over the inlet pipes and mark the positions of the 4 wall bracket fixing holes.



6. Mark the pipe distance 25 ± 5 mm from the finished wall and cut to length.
Important! If using plastic pipes then they should be cut to suit the insert.

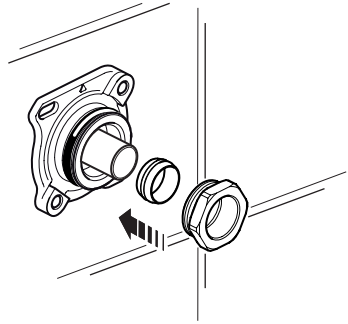


7. Drill the 4 holes for the wall brackets with a 6 mm drill and insert the wall plugs (some wall structures may require alternative fixings, not supplied).
Caution! Take care not to drill through any concealed pipework.

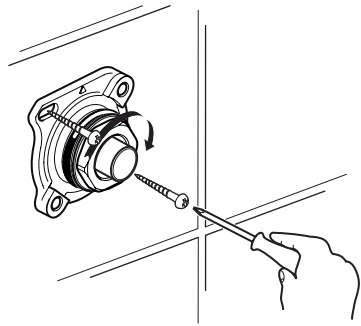


8. Fit the wall brackets and olives onto the inlet pipes and loosely fit the nuts.

Caution! Make sure that when fitting the nut and olive you do not push the pipe into the wall cavity.



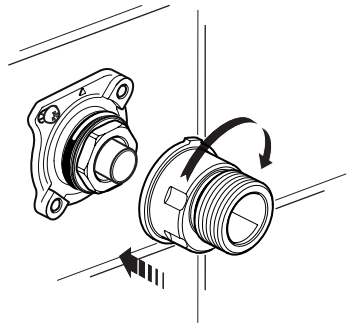
9. Secure the wall brackets (with the arrow at the top) to the wall with the screws supplied.



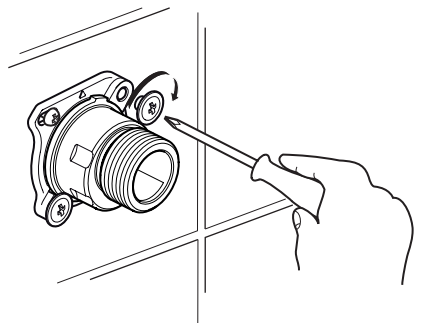
10. Tighten the nuts.

11. Carefully push the offset connectors onto the wall brackets and rotate them clockwise until the lug hits the stop.

Important! If, at step 4, there was no horizontal movement on the inlet pipes you must manually level the bar valve, go to section: 'Installation with Fixed Pipework', otherwise continue with the installation.



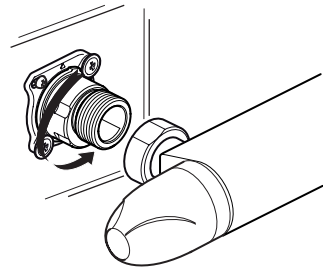
12. Secure the offset connectors to the wall brackets with the screws supplied.



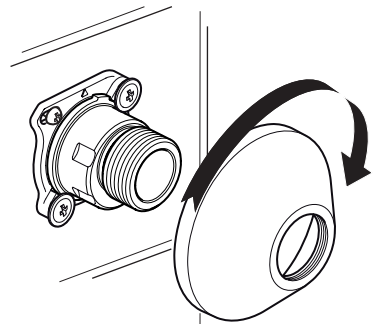
13. **Caution!** It is essential at this point that the supply pipework is thoroughly flushed through before connection to the bar valve.



14. Offer the bar valve up to the offset connectors, and if necessary, rotate the connectors anti-clockwise to adjust the centres.

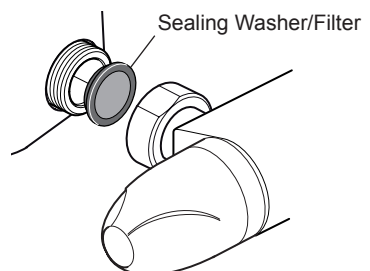


15. Loosely screw the concealing plates onto the offset connectors
Important! Do not fully tighten at this stage.



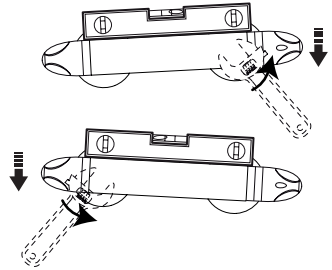
16. Make sure that the sealing washer/filter is fitted in the correct orientation, offer the bar valve up to the offset connectors and tighten the nuts.

Caution! Take care not to damage the chrome plated surfaces.

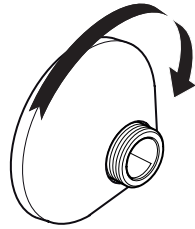


17. Using a spirit level make sure that the bar valve is level. If adjustment is required rotate the nut on the highest side anti-clockwise (up to 1/2 turn) until the valve is level.

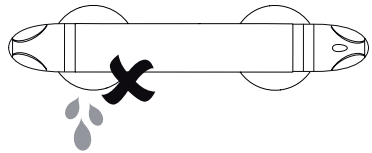
Note! The nuts can be rotated anti-clockwise without disengaging from the offset connector **until** the stop point on the wall bracket is reached, at this point the nut will start to undo and the bar valve can be removed from the wall.



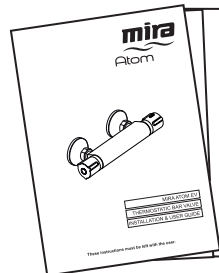
18. Tighten the concealing plates until they are flush with the finished wall.



19. Turn on the hot and cold water supplies and check for leaks.



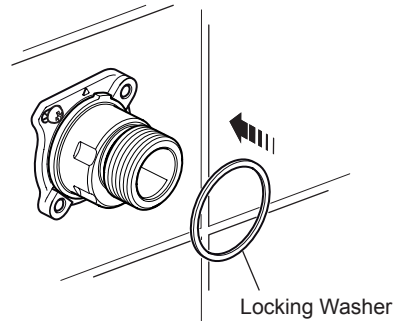
20. Refer to your Bar Valve Installation and User Guide for further details on Installation, Commissioning and Operation.



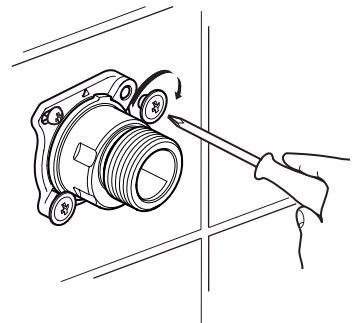
Installation with Fixed Pipework

This section should be followed in installations where it has not been possible to achieve the 5 mm horizontal pipe movement required to allow automatic levelling of the bar valve.

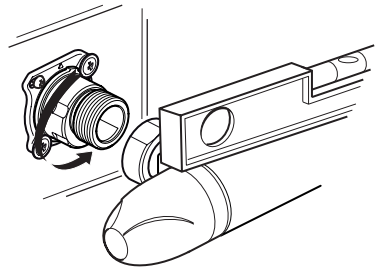
1. Fit the locking washers over the offset connectors.



2. Loosely fit the screws to hold the offset connectors in place.



3. Offer the bar valve up to the offset connectors, and if necessary, rotate the connectors anti-clockwise to adjust the centres so that they are in line with the bar valve inlets and are level.

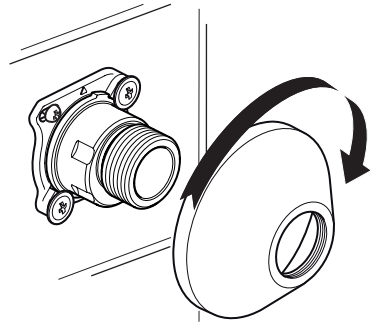


4. Firmly tighten the screws to lock the offset connectors in position.

5. **Caution! It is essential at this point that the supply pipework is thoroughly flushed through before connection to the bar valve.**

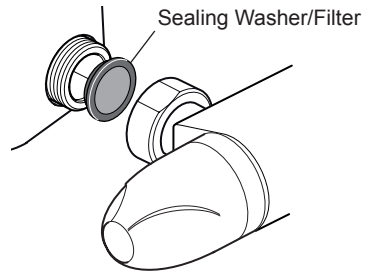


6. Tighten the concealing plates until they are flush with the finished wall.

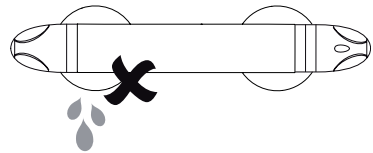


7. Make sure that the sealing washer/filter is fitted in the correct orientation, offer the bar valve up to the offset connectors and tighten the nuts.

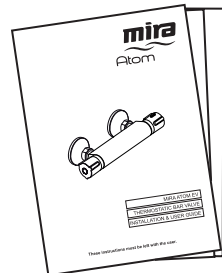
Caution! Take care not to damage the chrome plated surfaces.



8. Turn on the hot and cold water supplies and check for leaks.



9. Refer to your Bar Valve Installation and User Guide for further details on Installation, Commissioning and Operation.



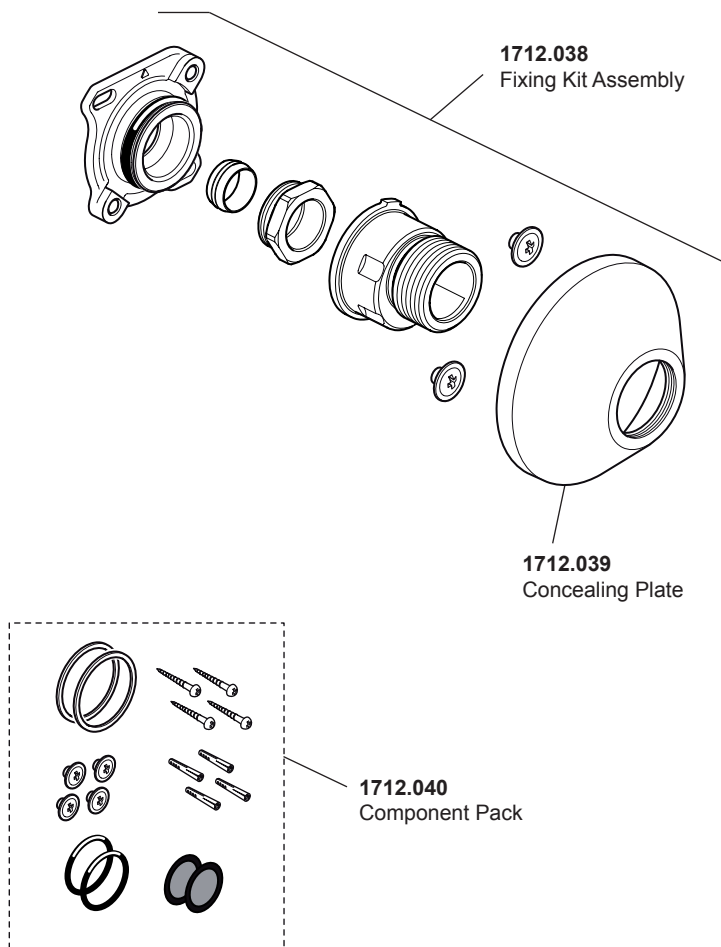
Bar Valve Removal

1. Isolate the hot and cold water supplies.
2. Unscrew the concealing plates at least 2 turns to allow the bar valve to be removed from the wall.
Important! Failure to loosen the concealing plates may result in them becoming tight to the finished wall.
3. Unscrew the nuts from the offset connectors and remove the bar valve.
4. **Before refitting make sure that the inlet connectors are tight.**

Fault Diagnosis

Fault	Possible Cause / Remedy
Leak from inlet connector.	On rare occasions when levelling the valve, the inlet connectors can become loose. Remove the bar valve and tighten the inlet connectors in accordance with the manufacturers instructions. If the inlet connectors continually become loose follow the instructions in section: 'Manual Levelling' .

Spare Parts



Mira Showers

Kohler Mira Ltd
Cromwell Road,
Cheltenham GL52 5EP.

Telephone: 0870 241 0888
Fax: 01242 282595
E-mail: technical@mirashowers.com

Mira is a registered trade mark of
Kohler Mira Limited.
The company reserves the right to alter
product specifications without notice.

www.mirashowers.co.uk



FM 14648

mira
SHOWERS