

MAIN

THE MAIN ECO RANGE

SEDBUK Band A rated Boilers



Main Combi Eco



Main System Eco

Main, a range of boilers solely for independent merchants and installers.

DESIGNED AND BUILT TO THE VERY HIGHEST QUALITY STANDARDS

Main manufactures domestic gas appliances that are specifically designed to make life more affordable and comfortable for as many people as possible.

Over 75 years of reliable service

We've been designing and building domestic gas appliances for over 75 years – working to the very highest quality and safety standards for each and every appliance.

That's why Main is such a trusted name within the industry. We have a long and proud heritage of exceptional quality and outstanding reliability.

Local service and an international reputation for quality

Today, Main is part of Baxi Group, one of Europe's largest heating appliance manufacturing groups. This means that we can take full advantage of the group's huge international resources to deliver quality products that are second to none.

All of our products are manufactured in the UK and backed up by outstanding training support and service.

Main appliances have always been designed and built to satisfy the very latest technical standards. And our new Main Eco range of energy efficient SEDBUK Band A boilers is no exception. It combines tried and tested technology with versatile, lightweight materials to make life easier for you – and your customers.

Contents

Introduction	page 2
Range Overview	page 3
Main Combi Eco	page 4
Main System Eco	page 6
Technical Specifications	page 8
Flues & Accessories	page 10
heateam	page 15
Contacts	page 16



OUR SEDBUK BAND A BOILERS ENABLE EVEN GREATER EFFICIENCY

High efficiency Main Eco Combi and System boilers feature tried and tested technology and materials to make life easier for everyone.

They are competitively priced and come with a 12-month parts and labour warranty, which can be extended to 15 months, simply by registering the product with us, for ultimate peace of mind.

Protecting the environment...

The brand new Main Eco range of SEDBUK Band A boilers was specifically designed and built to meet growing demand from consumers for high efficiency boilers – and it doesn't disappoint.

We are proud to introduce our very first A-rated appliances. Successfully achieving the highest possible energy efficiency rating helps everyone to play their part in protecting our environment.

...while reducing energy bills

Main Eco Band A boilers are available as Combi or System products, with popular outputs to meet common household requirements.

Now your customers can choose between Main Combi 25 Eco, Main Combi 30 Eco, Main System 24 Eco and Main System 28 Eco to select the boiler that best suits their energy – and energy efficiency – needs.



Main Combi 25 Eco



Main Combi 30 Eco

THE MAIN COMBI ECO RANGE

The Main Combi Eco range is designed to meet the domestic hot water and central heating needs of a variety of properties.

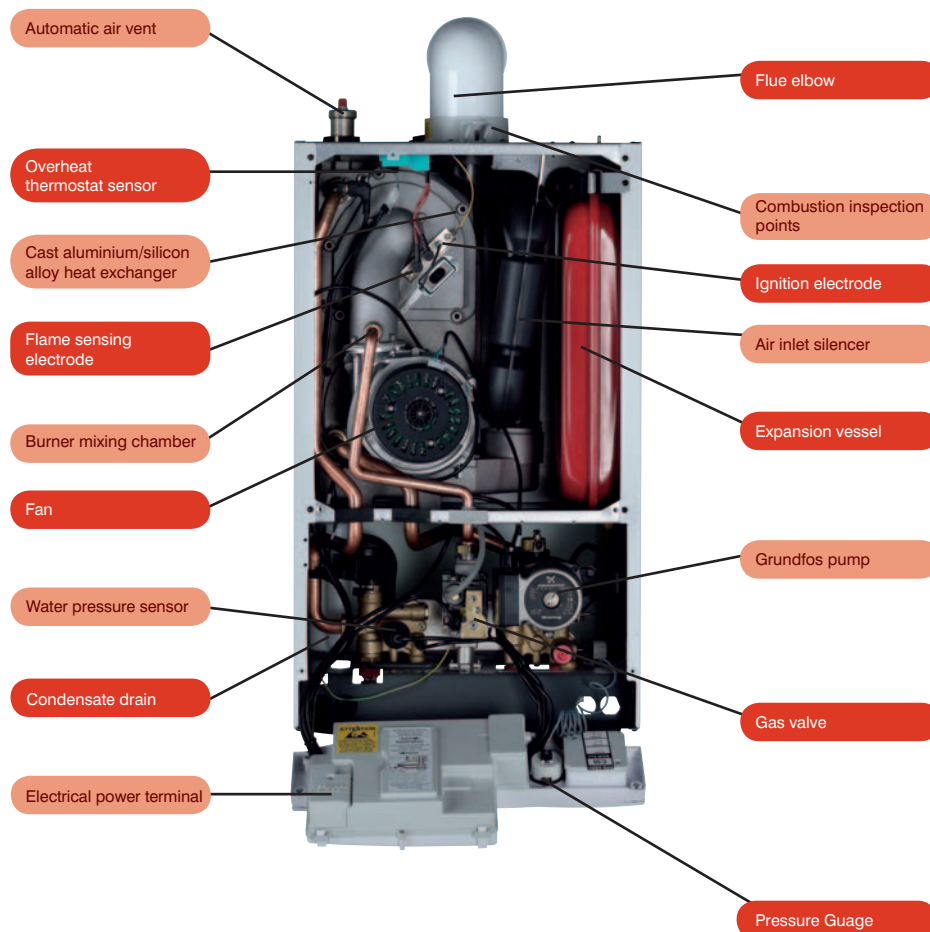
As one of our very first A-rated products, the Main Combi Eco boiler offers impressive performance, energy conversion and conservation, resulting in improved efficiency and lower gas bills for your customers.

This brand new range offers a choice of two models – the Main Combi 25 Eco and the Main Combi 30 Eco – both offering the highest possible energy efficiency rating.

Each is specifically designed and built to provide ease of use for your customers and ease of installation for you. The clean, uncomplicated design features flexible fittings, user-friendly controls and display panels. Its simplicity enables straightforward service and maintenance.

Key features and benefits

- Choice of 25kW or 30kW output models
- High Efficiency SEDBUK Band A
- Pre-plumbing jig included as standard
- Low NO_x Emissions - class 5
- Compatible with flue options up to 20m
- Built in pump overrun
- No compartment ventilation required
- Integral frost protection
- Grundfos pump on all models
- User friendly controls
- Upward piping
- Made in the UK to ISO 9000 quality standard





Main System 24 Eco



Main System 28 Eco

THE MAIN SYSTEM ECO RANGE

New Main System Eco boilers are designed to satisfy all the hot water and central heating requirements of a range of domestic properties.

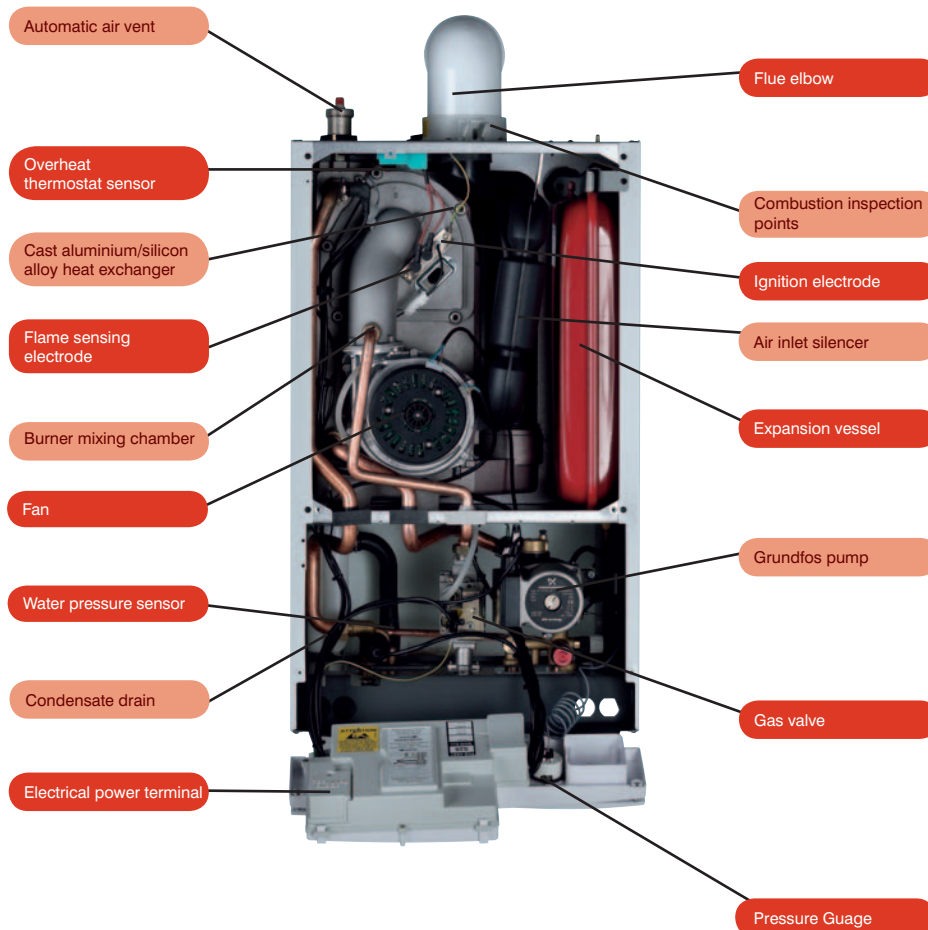
As the very first A-rated products designed and built by Main, these boilers offer optimal energy efficiency – to help save the environment as well as your customers' fuel bills.

The two models in this brand new range of SEDBUK Band A boilers – the Main System 24 Eco and the Main System 28 Eco – both boast the highest possible energy efficiency rating.

Each boiler is designed to be both easy to use and easy to install. This is achieved through the use of a clean, simple design, which incorporates user-friendly controls and display panels while also reducing the time required for service and maintenance.

Key features and benefits

- Choice of 24kW or 28kW output models
- High Efficiency SEDBUK Band A
- Pre-plumbing jig included as standard
- Low NO_x Emissions - class 5
- Compatible with flue options up to 20m
- Built in pump overrun
- No compartment ventilation required
- Integral frost protection
- Grundfos pump on all models
- User friendly controls
- Upward piping
- Made in the UK to ISO 9000 quality standard

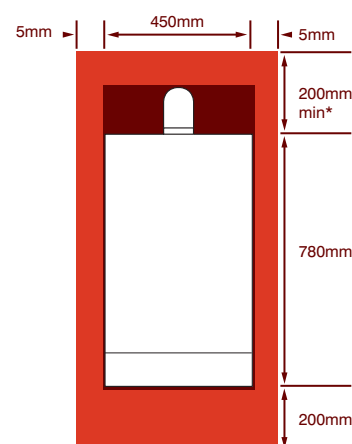


SPECIFICATIONS

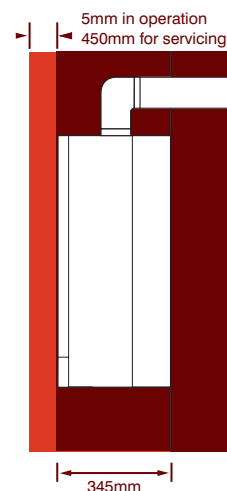
THE MAIN COMBI ECO RANGE

Model	Units	Combi 25 Eco	Combi 30 Eco
Boiler only code		5116329	5118139
Controls			
User adjustable CH temperature		Yes	Yes
User adjustable DHW temperature		Yes	Yes
Operating mode selector switch		Yes	Yes
LED operating / fault status display		Yes	Yes
Integral 24 hr electro-mechanical timer		Optional	Optional
Integral 7 day electronic timer		Optional	Optional
Wireless programmable room thermostat		Optional	Optional
Gas			
Natural gas		Yes	Yes
Inlet supply pressure (Natural gas)	mbar	20	20
Gas rate	m ³ /hr	2.76	3.17
Heat input (maximum)	kW	28.92	32.54
Heat input (minimum)	kW	8.68	9.77
Heat output - condensing (maximum)	kW	26.95	30.2
Heat output - condensing (minimum)	kW	8.37	9.42
Heat output - non-condensing (maximum)	kW	25.94	28.63
Heat output - non-condensing (minimum)	kW	7.61	8.56
Domestic hot water flow rate (maximum) @ 35°C rise	litres/min	10.2	12.3
Domestic hot water flow rate (minimum)	litres/min	2	2
Seasonal efficiency band	SEDBUK	A	A
NO _x	Class	5	5
Electrical			
Electrical supply	Volts / Hz	230 / 50	230 / 50
Power consumption	Watts	150	150
External fuse rating	Amps	3	3
Ingress protection rating (as supplied)		IPX4D	IPX4D
Pump overrun		Yes	Yes
24hr pump exercise		Yes	Yes
Integral frost thermostat (boiler protection only)		Yes	Yes
Weight			
Installation lift weight	kg	47.5	47.5
Mechanical & Hydraulic			
DHW system pressure (maximum)	bar	8	8
DHW operating pressure (minimum)	bar	0.15	0.15
Safety pressure discharge	bar	3	3
Integral automatic bypass		Yes	Yes
CH system capacity (maximum)	litres	125	155
Gas supply pipe size	mm	22	22
Flow & return pipe size (CH)	mm	22	22
Flow & return pipe size (DHW)	mm	15	15
Temporary filling loop		Optional	Optional
Compartment ventilation required		No	No
Pre-plumbing jig		Yes	Yes
Flue Systems			
Standard concentric flue diameter	mm	60/100	60/100
Standard flue length	mm	1000	1000
Maximum equivalent length horizontal	m	10	10
Maximum equivalent length vertical	m	10	10
Optional twin pipe vertical flue diameter	mm	80 / 80	80 / 80
Maximum equivalent length horizontal	m	20	20
Maximum equivalent length vertical	m	20	20

Dimensions and minimum clearances



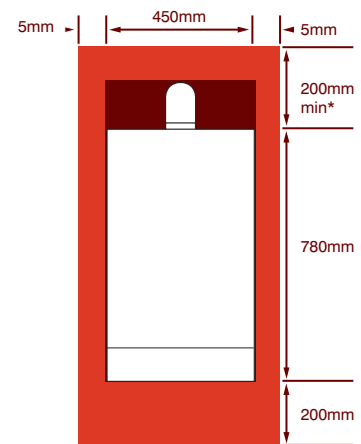
*300mm min if using 80/125mm flueing system



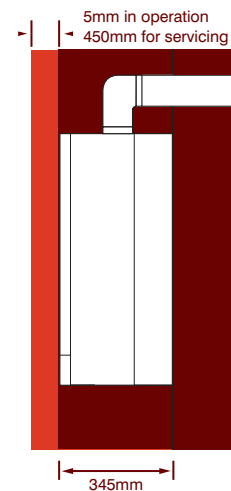
THE MAIN SYSTEM ECO RANGE

Model	Units	System 24 Eco	System 28 Eco
Boiler only code		5118141	5119734
Controls			
User adjustable CH temperature		Yes	Yes
Operating mode selector switch		Yes	Yes
LED operating / fault status display		Yes	Yes
Gas			
Natural gas		Yes	Yes
Inlet supply pressure (Natural gas)	mbar	20	20
Gas rate	m ³ /hr	2.76	3.10
Heat input (maximum)	kW	28.92	32.54
Heat input (minimum)	kW	8.68	9.77
Heat output - condensing (maximum)	kW	26.95	30.20
Heat output - condensing (minimum)	kW	8.37	9.42
Heat output - non-condensing (maximum)	kW	25.94	28.63
Heat output - non-condensing (minimum)	kW	7.61	8.56
Seasonal efficiency band	SEDBUK	A	A
NO _x	Class	5	5
Electrical			
Electrical supply	Volts / Hz	230 / 50	230 / 50
Power consumption	Watts	150	150
External fuse rating	Amps	3	3
Ingress protection rating (as supplied)		IPX4D	IPX4D
Pump overrun		Yes	Yes
24hr pump exercise		Yes	Yes
Integral frost thermostat (boiler protection only)		Yes	Yes
Weight			
Installation lift weight	kg	44.5	44.5
Mechanical & Hydraulic			
DHW system pressure (maximum)	bar	N/A	N/A
DHW operating pressure (minimum)	bar	N/A	N/A
Safety pressure discharge	bar	3	3
Integral automatic bypass		Yes	Yes
CH system capacity (maximum)	litres	125	155
Gas supply pipe size	mm	22	22
Flow & return pipe size	mm	22	22
Temporary filling loop		Optional	Optional
Compartment ventilation required		No	No
Pre-plumbing jig		Yes	Yes
Flue Systems			
Standard concentric flue diameter	mm	60/100	60/100
Standard flue length	mm	1000	1000
Maximum equivalent length horizontal	m	10	10
Maximum equivalent length vertical	m	10	10
Optional twin pipe vertical flue diameter	mm	80 / 80	80 / 80
Maximum equivalent length horizontal	m	20	20
Maximum equivalent length vertical	m	20	20

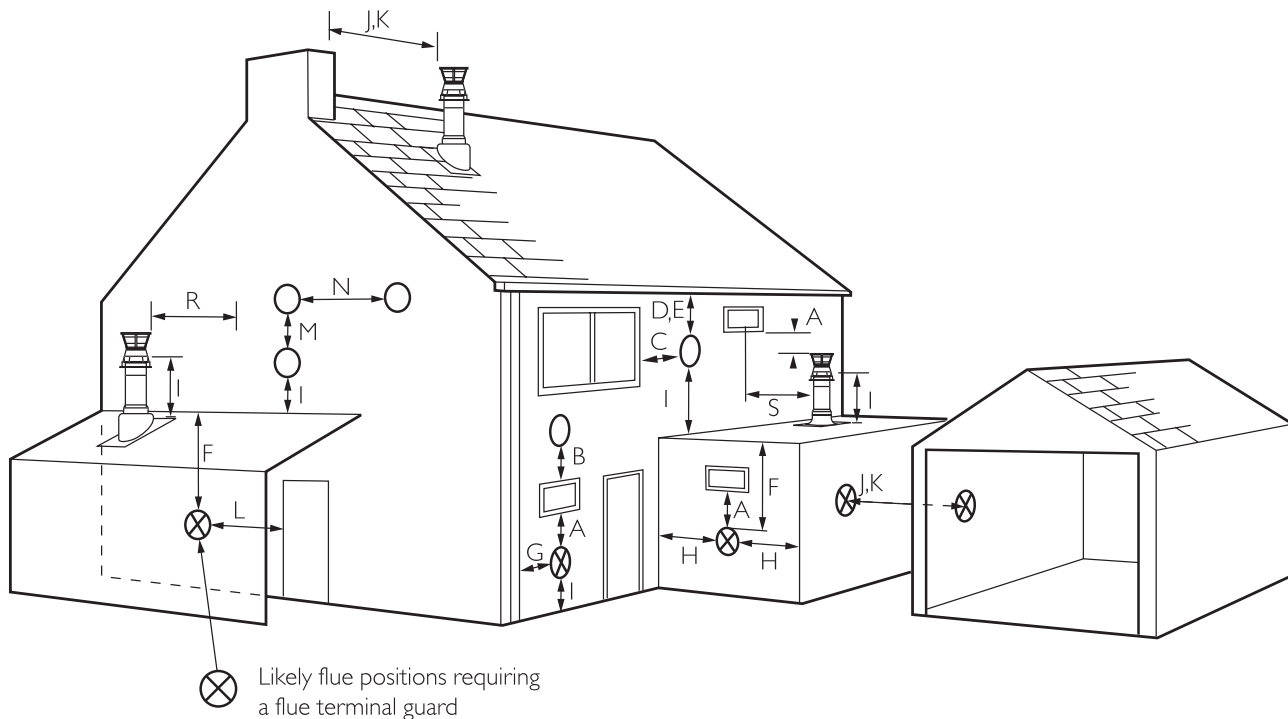
Dimensions and minimum clearances



*300mm min if using 80/125mm flueing system



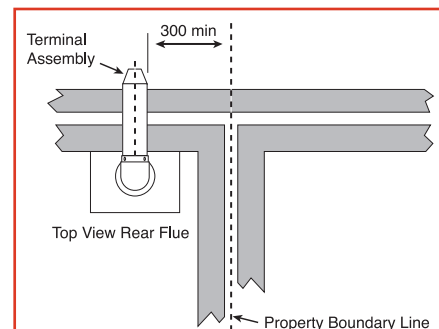
FLUE OPTIONS



Terminal Position with Minimum Distance (mm)

A*	Directly below an opening, air brick, opening windows etc.	300
B*	Above an opening, air brick, opening window etc.	300
C*	Horizontally to an opening, air brick, opening window etc.	300
D	Below gutters, soil pipes or drain pipes.	150
E	Below eaves.	200
F	Below balconies or carport roof.	200
G	From a vertical drain pipe or soil pipe.	150
H	From an internal (i) or external (ii) corner.	300
I	Above ground, roof or balcony level.	300
J	From a surface or boundary line facing a terminal.	600
K	From a terminal facing a terminal (horizontal flue). From a terminal facing a terminal (vertical flue).	1200 600
L	From an opening in carport (e.g. door, window) into the dwelling.	1200
M	Vertically from a terminal on the same wall.	1500
N	Horizontally from a terminal on the same wall.	300
R	From adjacent wall to flue (vertical only).	300
S	From an adjacent opening window (vertical only).	1000

Reduced clearances This range of boilers has been tested and approved for use with certain clearances less than those shown. Horizontal flues in positions D, E, F, G & H(i) may be reduced to 25mm. H(ii) may only be reduced to 115mm. **Only one of these reductions may be used on a single installation.**



NOTE: The distance from a fanned draught appliance terminal installed parallel to a boundary may not be less than 300mm in accordance with the diagram above, unless the flue deflector kit is used. This can then be reduced to a min of 25mm.

*In addition, the terminal should be no nearer than 150mm to an opening in the building fabric formed for the purpose of accommodating a built-in element such as a window frame. See BS 5440 Pt1.

Flue options

Maximum permissible equivalent flue lengths are:

	Combi 25 Eco	Combi 30 Eco	System 24 Eco	System 28 Eco
Concentric Horizontal (60/100)	10m	10m	10m	10m
Concentric Horizontal (80/125)	20m	20m	20m	20m
Concentric Vertical (60/100)	10m	10m	10m	10m
Concentric Vertical (80/125)	20m	20m	20m	20m
Twin Pipe Vertical (80/80)	20m	20m	20m	20m

Any additional “in line” bends in the flue system must be taken into consideration.

Their equivalent lengths are:

Concentric Pipes	135° bend	0.5m
	93° bend	1.0m
Twin Flue Pipe	135° bend	0.25m
	90° bend	0.5m

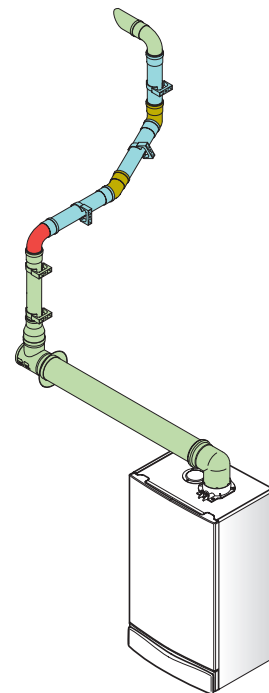
The elbow supplied with the standard horizontal flue is not included in any equivalent length calculations.

General principles

Flue systems must be constructed using the Main accessories approved for the particular product and installed in accordance with BS5440 part 1 - flues.

This information is provided for guidance only and is not an intended substitute for Installation Instructions, copies of which are included with the product and are also available on request.

Note: These are general illustrations only - detailing of actual components will vary from model to model. For clarity, on occasions items have been labelled once only.



Plume Displacement Kits 60/100mm

Item Description (MULTIFIT) Flue System K	Specification	Key & OD Dimensions	Multifit Sales Code
Plume Displacement Kit inc Elbow + clips		100mm	5118638
Plume Displacement Kit Extension + clip	1000mm	60mm	5121368
Plume Displacement Kit Bend	93 degree	60mm	5121369
Plume Displacement Kit Bend (Pair)	135 degree	60mm	5121370

FLUE OPTIONS



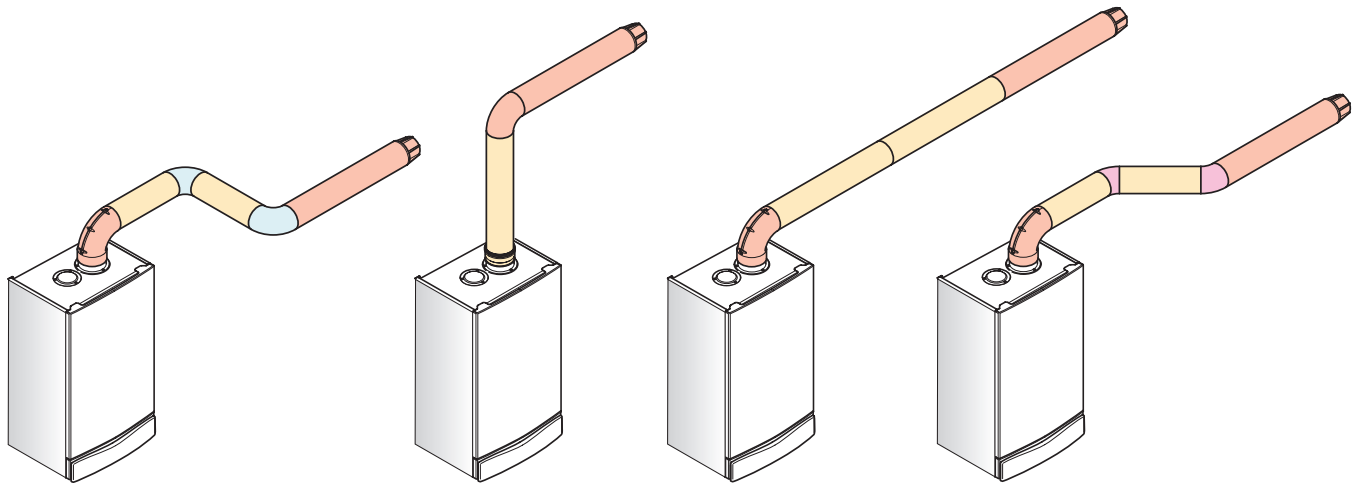
Horizontal Concentric Flues



60/100mm



80/125mm



Flue system A - Maximum permissible equivalent flue length = 10m. Flue system G - Maximum permissible equivalent length = 20m.
Any additional 'in line' bends in the flue system must be taken into consideration. The equivalent lengths for concentric pipes are: 135° bend – 0.5m, 93° bend – 1.0m.

Item Description (MULTIFIT) Flue System A & G	Specification	Key & OD Dimensions (mm)		Multifit Sales Code	
		A	G	A	G
Standard Horizontal Flue inc Elbow	685mm	60/100	80/125	5118489	5118580
Flue Extension	1000mm	100mm	125mm	5111074	5118584
Flue Bend	93 degree	100mm	125mm	5111075	5118588
Flue Bend (Pair)	135 degree	100mm	125mm	5111085	5118597
Flue Bend	135 degree	100mm	N/A	5111076	N/A
Pipe Support	Painted White	100mm	125mm	5111080	5118610
Flue Through Wall Liner		100mm	N/A	5111067	N/A
Flue Terminal Deflector		60mm	N/A	5111068	N/A

The 3° fall back on concentric flues can be reduced to 1.5° providing the flue system is adequately clamped in accordance with the installation instructions.

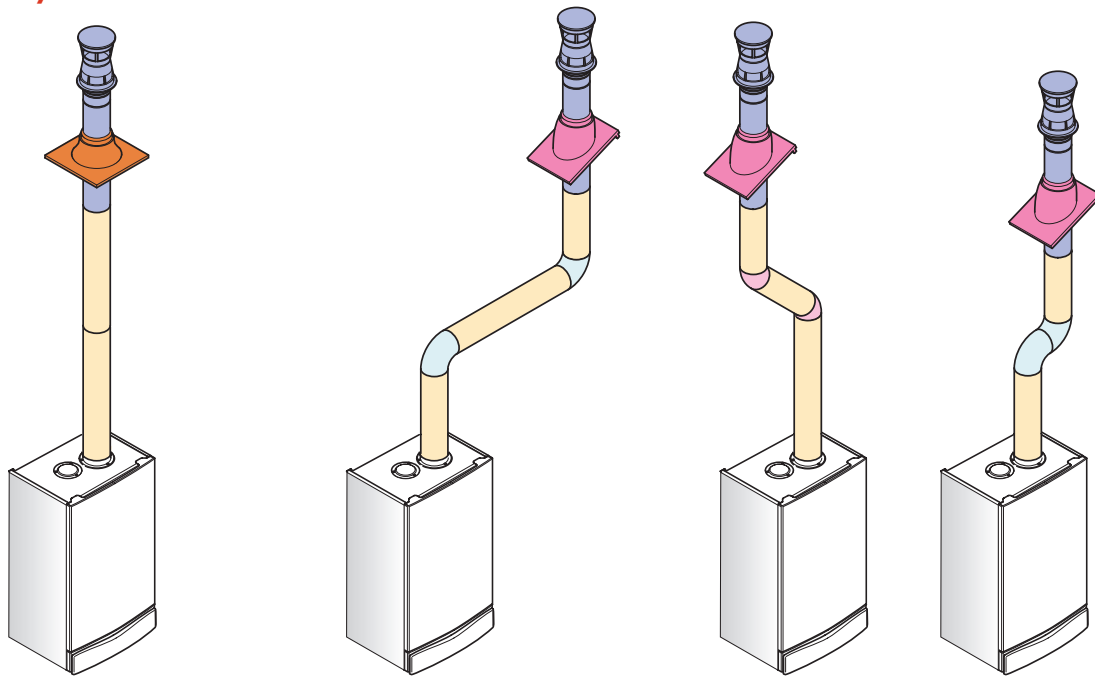
Vertical Concentric Flues



60/100mm



80/125mm



Flue system A - Maximum permissible equivalent flue length = 10m. Flue system G - Maximum permissible equivalent length = 20m.
Any additional 'in line' bends in the flue system must be taken into consideration. The equivalent lengths for concentric pipes are: 135° bend – 0.5m, 93° bend – 1.0m.

Item Description (MULTIFIT) Flue System A & G	Specification	Key & OD Dimensions		Multifit Sales Code	
		A	G	A	G
Vertical Flue Terminal		125mm	125mm	5118576	5111078
Vertical Flue Adaptor		N/A	125mm	N/A	5111070
Roof Cover Plate		125mm	125mm	246143	246143
Flue Bend	93 degree	100mm	125mm	5111075	5118588
Flue Bend	135 degree	100mm	N/A	5111076	N/A
Flue Bend Pair	135 degree	100mm	125mm	5111085	5118597
Flue Extension	1000mm	100mm	125mm	5111074	5118584
Pipe Support	Painted White	100mm	125mm	5111080	5118610
Pitched Roof Flashing	25 / 50 degree	125mm	125mm	5122151	5122151
Flat Roof Flashing		125mm	125mm	246144	246144

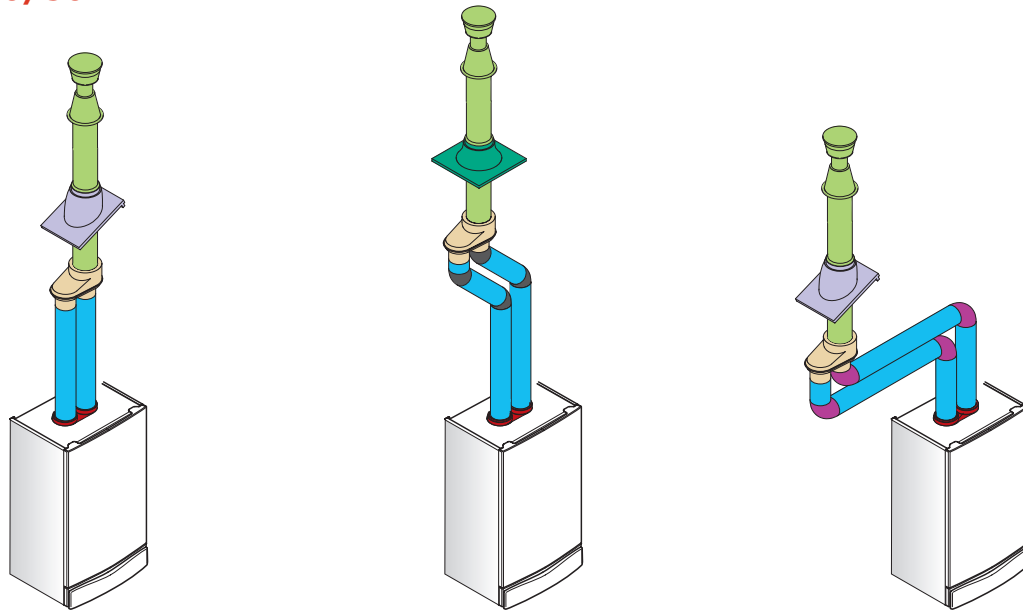
FLUE OPTIONS

MULTIFIT



Twin Pipe Flues

N 80/80mm



Maximum permissible equivalent flue length = 20m. Any additional 'in line' bends in the flue system must be taken into consideration. The equivalent lengths for concentric pipes are: 135° bend – 0.25m, 90° bend – 0.0m.

Item Description (MULTIFIT) Flue System N	Specification	Key & OD Dimensions	Multifit Sales Code
Twin Pipe Flue Adaptor (Boiler)		80/80mm	5111079
Twin to Concentric Adaptor 80/80 - 80/125		80/125mm	5111084
Twin Pipe Flue Bend (Pair)	90 degree	80mm	5111072
Twin Pipe Flue Bend (2 Pair)	135 degree	80mm	5111086
Twin Pipe Extension (Pair inc Brackets)	1000mm	80mm	5111087
Twin Pipe Support (Pair)		80mm	5111081
Vertical Flue Terminal		125mm	5111078
Roof Cover Plate		100mm	246143
Pitched Roof Flashing	25 / 50 degree	125mm	5122151
Flat Roof Flashing		125mm	246144

Optional Accessories

Item Description (MULTIFIT)	Multifit Sales Code
Stand Off Kit	513380
Integral Electronic Timer	5111963

REASSURING BACK-UP



Independently commissioned research has shown that heateam has the best performance in the following areas:

- The best call handling time for service*
- The best call handling time for technical advice*
- The best service visit response time*

*Average response times measured against 6 major manufacturers.

Corgi registered installers can get expert technical advice from one of our highly trained heateam advisers. On the rare occasion that a problem can't be fixed over the phone, a heateam service engineer will be sent - usually the following working day.

- The most efficient and competent after-sales organisation in the heating industry
- Dedicated call centre staff operate 363 days a year**
- Over 200 highly trained and fully equipped engineers
- The biggest network of spares outlets in the UK

**For technical support
call heateam 0844 871 1570**

The service division of Baxi Group

heateam

**Please note - calls to the contact centre may be recorded or monitored.



This Brochure is printed on paper made from trees grown in a sustainable forest. It is 100% recyclable and conforms to ISO 14001 Environmental Certification. The inks used to print this document are soya based, which are 100% recyclable and significantly more environmentally friendly than traditional solvent based inks.

Contacts

All enquiries

Tel: 0844 871 1570

Please note - calls to the contact centre may be recorded or monitored.

Main

Brooks House, Coventry Road, Warwick CV34 4LL.

Website: www.mainheating.co.uk

A trading division of Baxi Group



The code of practice for the installation, commissioning & servicing of central heating systems.



FMS3008
BSEN ISO 9001
QUALITY MANAGEMENT
SYSTEM STANDARD

Main policy is one of continual improvement and development. The right to change specification and appearance without prior notice is reserved. The reproduction of colours is as accurate as photographic and printing processes allow. The consumer's statutory rights are not affected. e&oe

MAIN ECO 01/08

MAIN